



US00D954934S

(12) **United States Design Patent** (10) **Patent No.:** **US D954,934 S**
Mitchell et al. (45) **Date of Patent:** **** *Jun. 14, 2022**

(54) **PORTABLE NEBULIZER**

(56) **References Cited**

(71) Applicant: **KONINKLIJKE PHILIPS N.V.**,
Eindhoven (NL)
(72) Inventors: **Andrew David Mitchell**, Eindhoven
(NL); **Ian Thomas Petherbridge**,
Eindhoven (NL); **Ivan Richard Prince**,
Eindhoven (NL); **Michael James**
Robert Leppard, Eindhoven (NL);
Jeffrey Andrew Pipe, Eindhoven (NL);
Louise Jane Rowe, Eindhoven (NL)
(73) Assignee: **KONINKLIJKE PHILIPS N.V.**,
Eindhoven (NL)

U.S. PATENT DOCUMENTS

D479,745 S * 9/2003 Albulet D24/110
D579,545 S * 10/2008 Birath D24/110
D579,547 S * 10/2008 Birath D24/110
D579,549 S * 10/2008 Birath D24/110
7,631,643 B2 * 12/2009 Morrison A61M 15/0085
128/200.14
8,056,557 B2 * 11/2011 Lieberman A61M 11/005
128/200.14
D694,876 S * 12/2013 Greenhalgh D24/110.5
D771,798 S * 11/2016 Li D24/110
D776,255 S * 1/2017 Li D24/110

(Continued)

(*) Notice: This patent is subject to a terminal disclaimer.

(**) Term: **15 Years**

(21) Appl. No.: **29/664,870**

(22) Filed: **Sep. 28, 2018**

(30) **Foreign Application Priority Data**

Mar. 29, 2018 (EM) 005137072-0001

(51) **LOC (13) Cl.** **29-02**

(52) **U.S. Cl.**
USPC **D24/110**

(58) **Field of Classification Search**
USPC D24/107, 108, 110, 110.1-110.5, 127,
D24/164; D29/108

CPC A61M 15/0085; A61M 15/0005; A61M
11/005; A61M 11/00; A61M 11/02;
A61M 11/04; A61M 5/087; A61M
5/0871; A61M 5/091; A61M 5/097;
A61M 15/00; A61M 15/0065; A61M
15/0091; A61M 15/0021; A61M 15/0026;
A61M 15/008; A61M 15/007; A61M
15/001; A63B 23/18

See application file for complete search history.

OTHER PUBLICATIONS

Philips InnoSpire Go portable nebulizer—360 product animation,
posted at youtube.com, earliest date reviewed on Jan. 16, 2017,
[online], acquired on Sep. 22, 2021, Available on internet. Url:<https://www.youtube.com/watch?v=ISVdpGPcDMM> (Year: 2017).*

(Continued)

Primary Examiner — Sheryl Lane
Assistant Examiner — Aula Soroush

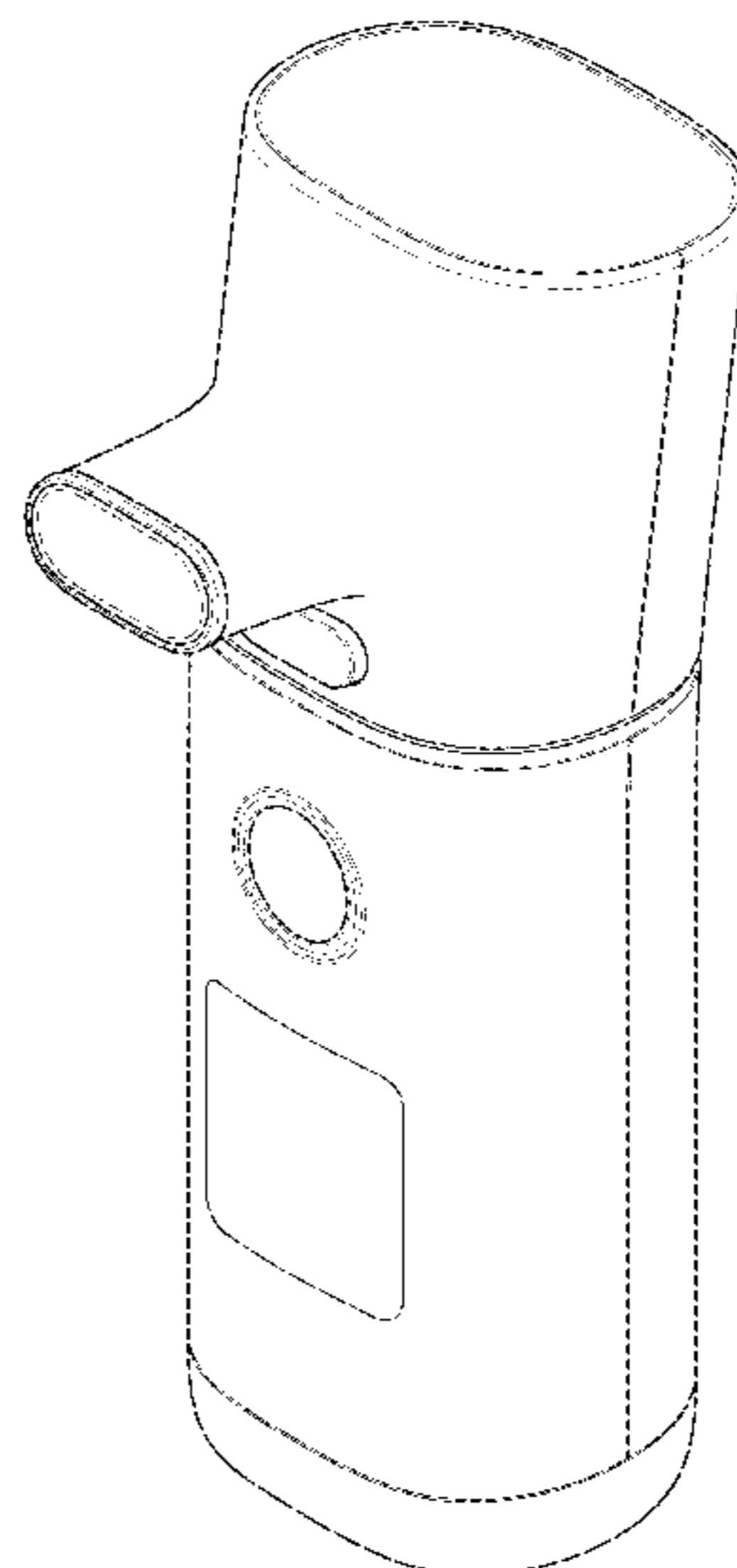
(57) **CLAIM**

The ornamental design for a portable nebulizer, as shown.

DESCRIPTION

FIG. 1 is a perspective view showing our design;
FIG. 2 is a front elevational view thereof;
FIG. 3 is a rear elevational view thereof;
FIG. 4 is a right side elevational view thereof;
FIG. 5 is a left side elevational view thereof;
FIG. 6 is a top plan view thereof; and,
FIG. 7 is a bottom plan view thereof.
The broken lines in the figures show portions of the portable
nebulizer that form no part of the claimed design.

1 Claim, 6 Drawing Sheets



(56)

References Cited

U.S. PATENT DOCUMENTS

D825,738 S * 8/2018 Mitchell D24/110
D827,809 S * 9/2018 Mitchell D24/110
D849,230 S * 5/2019 Gouchtchina D24/108
D889,635 S * 7/2020 Mitchell D24/110
D900,303 S * 10/2020 Mitchell D24/110
10,835,700 B2 * 11/2020 Lunz A61M 16/0488
D905,846 S * 12/2020 Mitchell D24/110
D928,934 S * 8/2021 Lin D24/110
D928,935 S * 8/2021 Li D24/110
2016/0271343 A1 * 9/2016 Abate A61M 11/001
2019/0160234 A1 * 5/2019 Lefkowitz A61M 15/0086

OTHER PUBLICATIONS

Adults & the InnoSpire Go Portable Nebulizer—DirectHomeMedical, posted at youtube.com, earliest date reviewed on Oct. 19, 2018, [online], acquired on Sep. 22, 2021, Available on internet. Url:https://www.youtube.com/watch?v=y8zpeyoQojw (Year: 2018).*

* cited by examiner

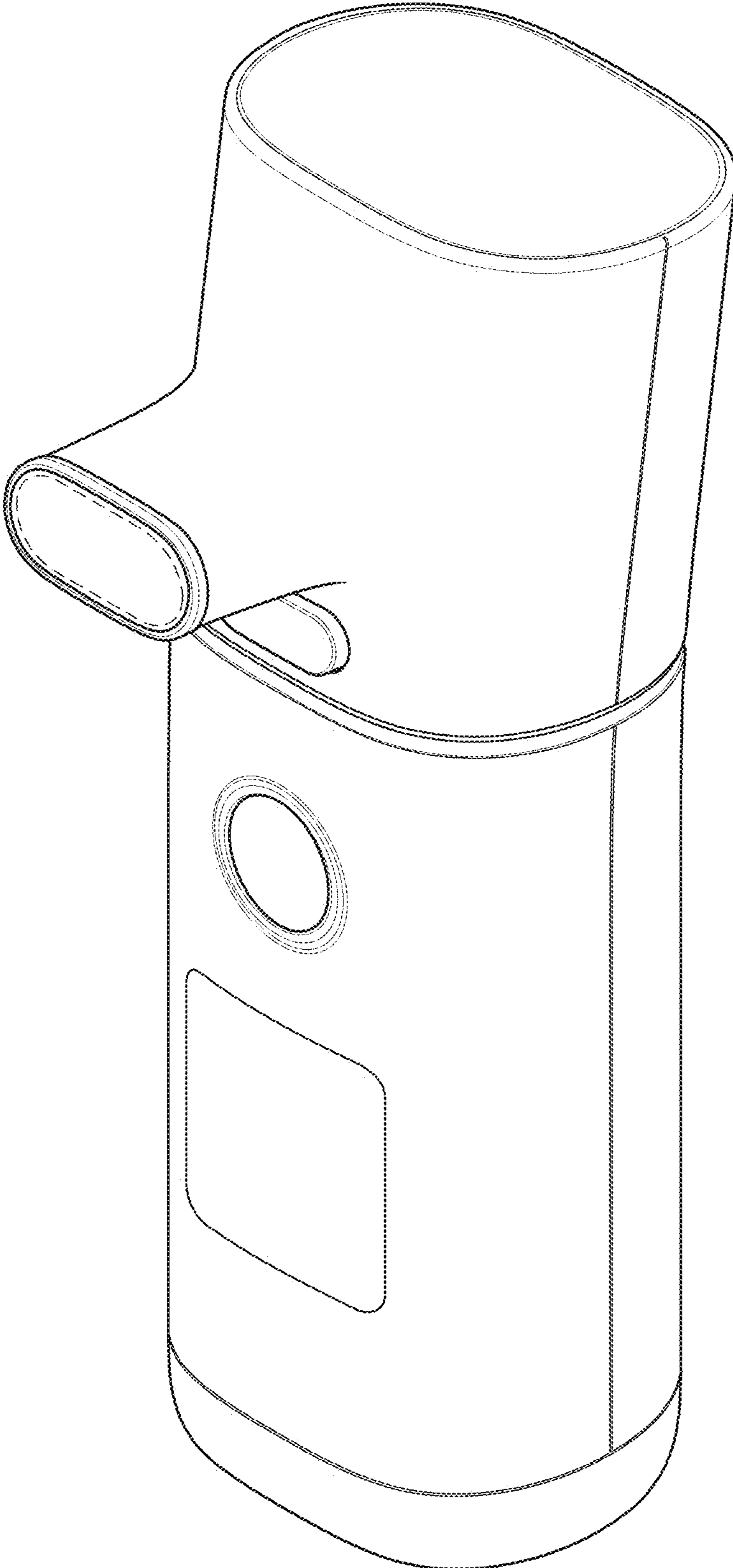


FIG. 1

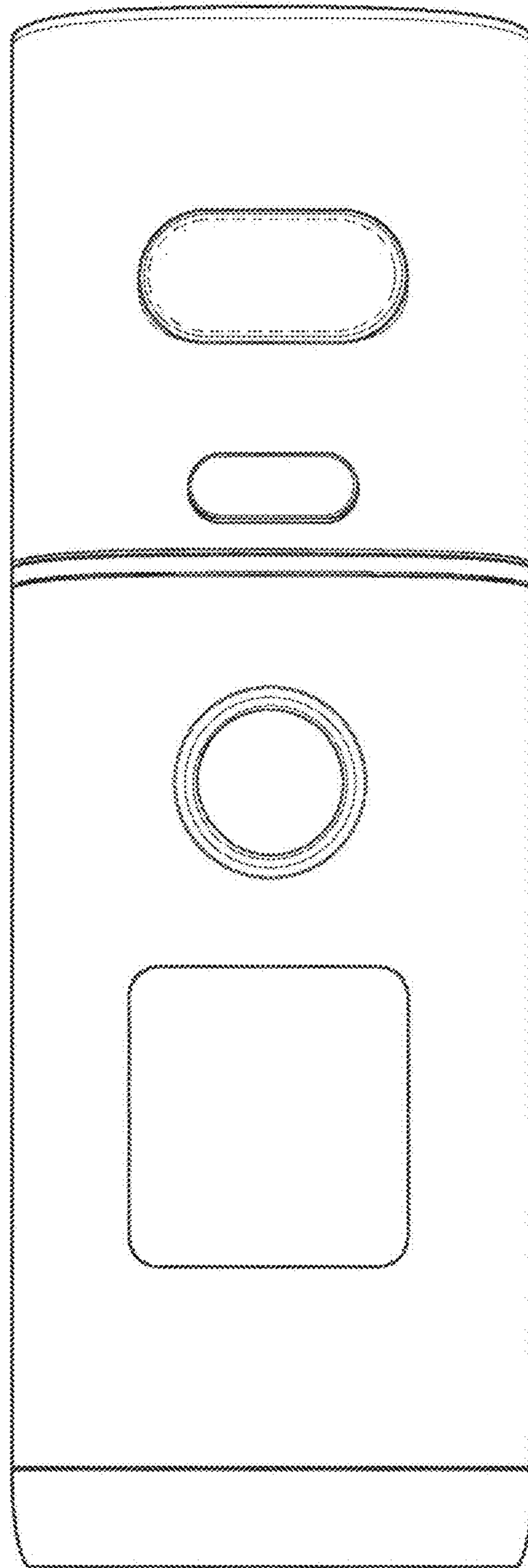


FIG. 2

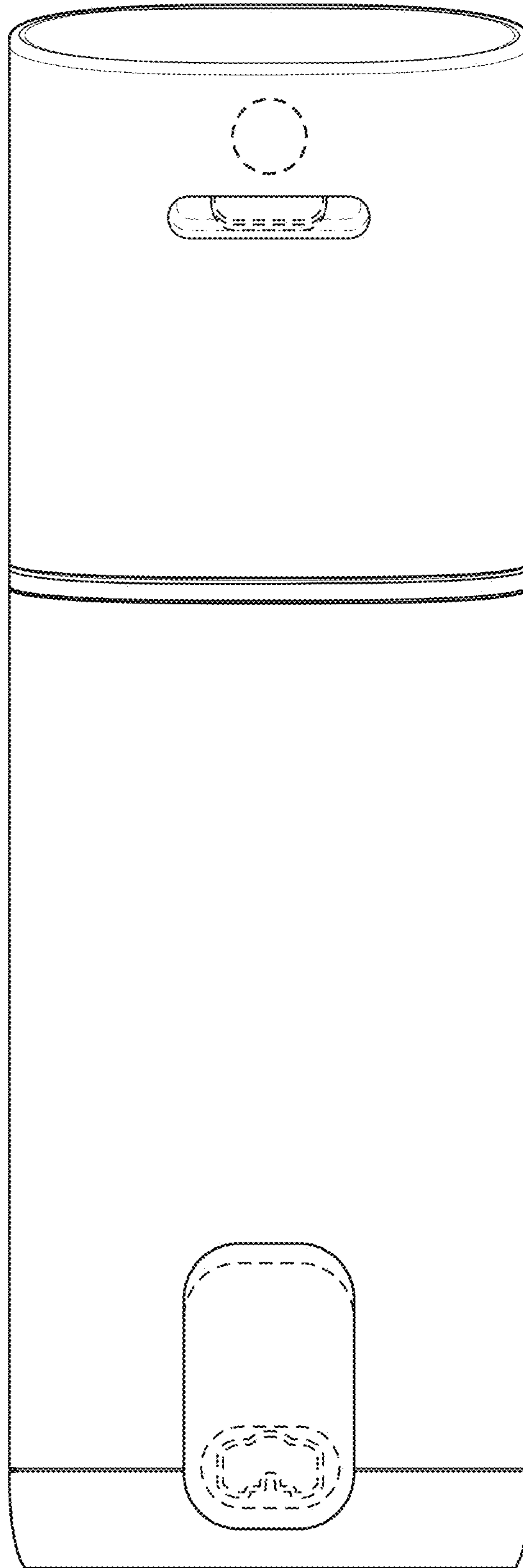


FIG. 3

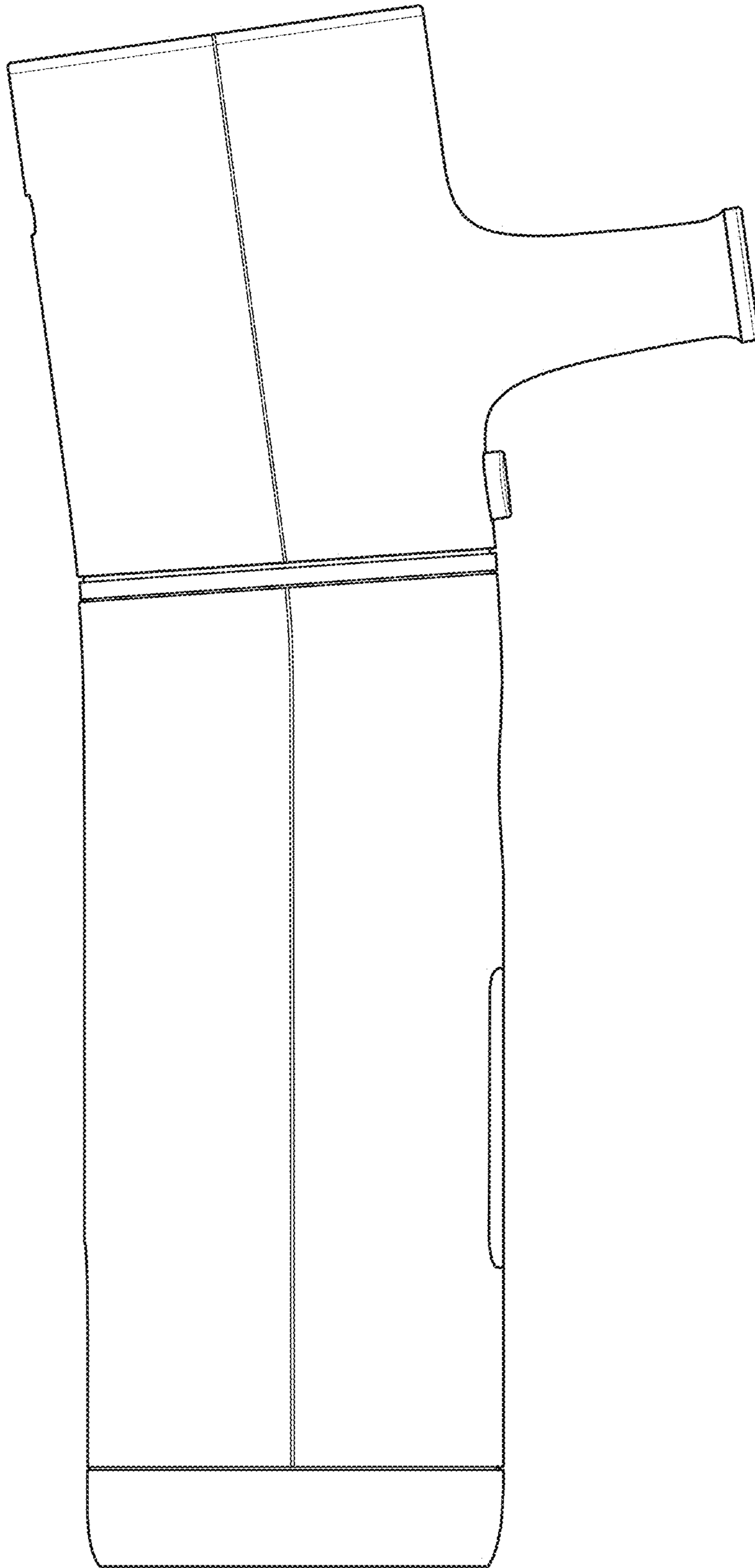


FIG. 4

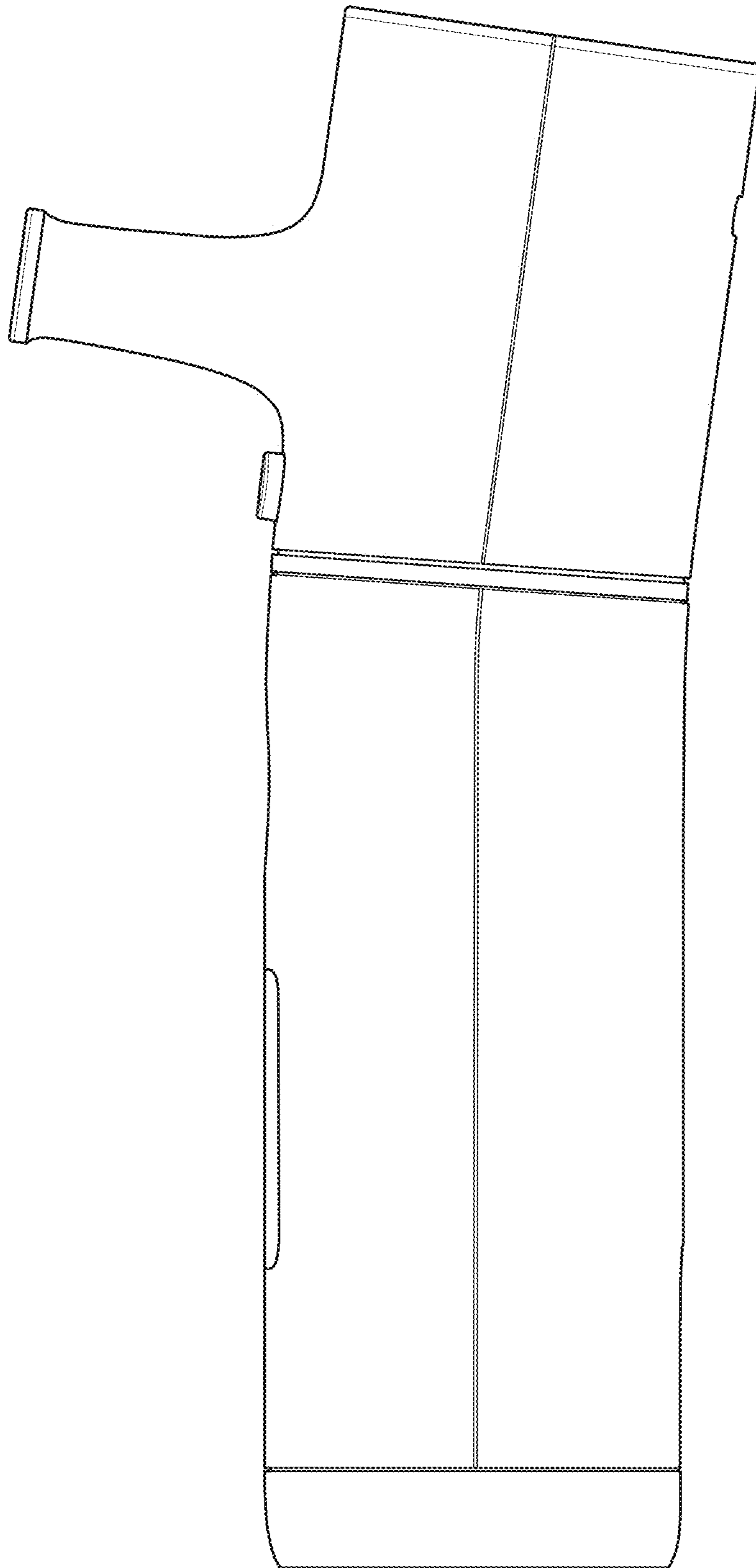


FIG. 5

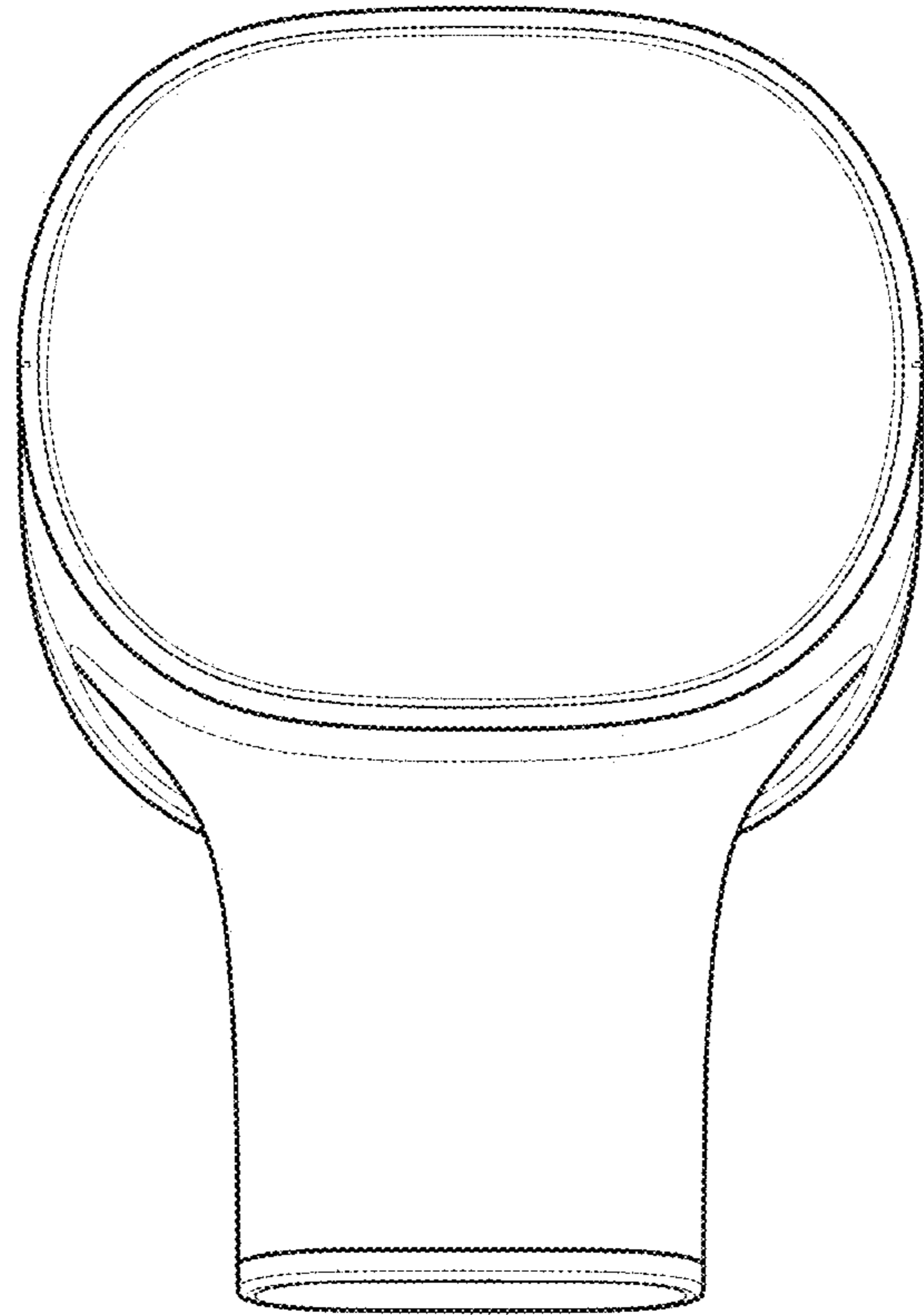


FIG. 6

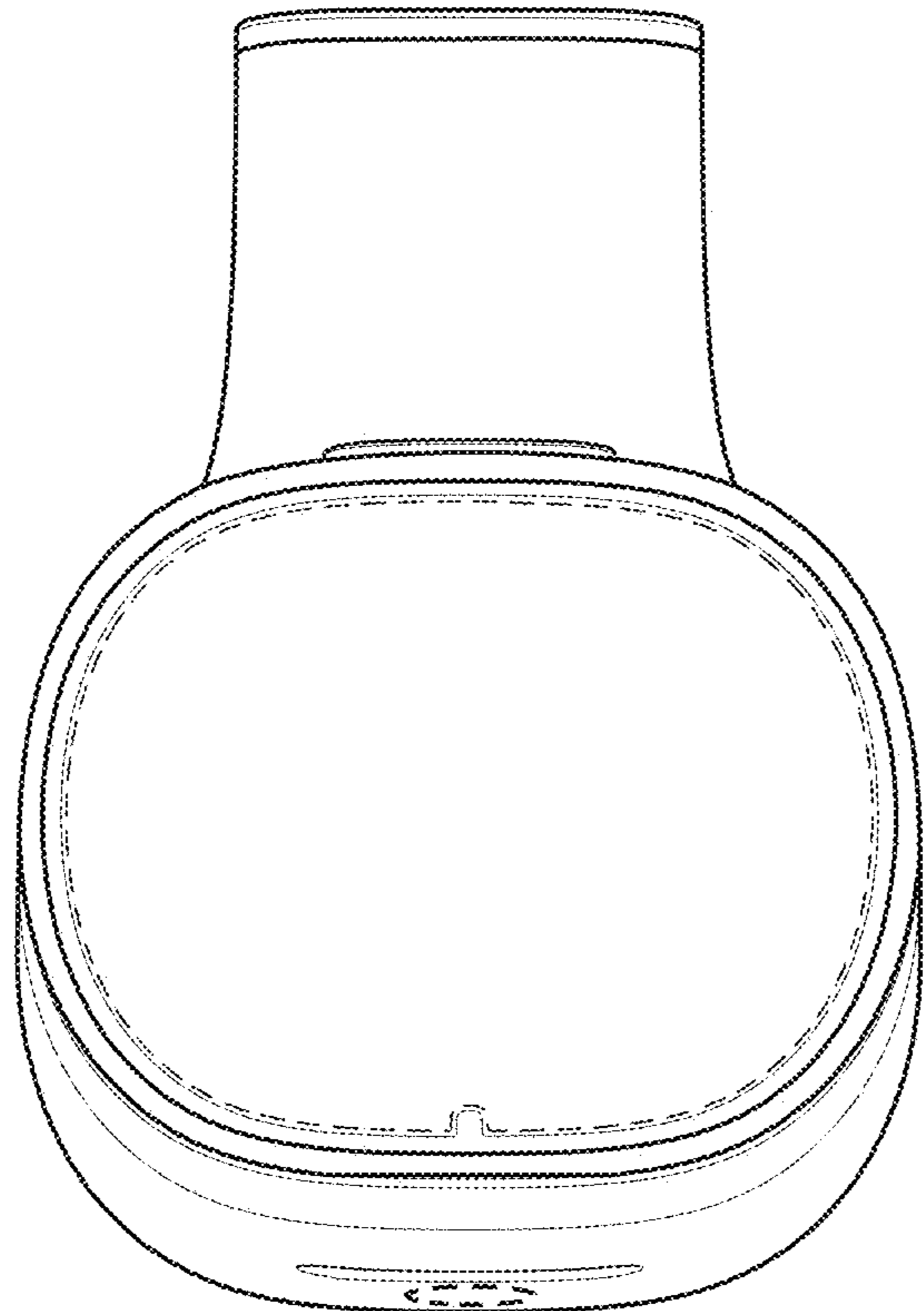


FIG. 7