



US00D954931S

(12) **United States Design Patent**
Treacy et al.

(10) **Patent No.:** **US D954,931 S**
(45) **Date of Patent:** **** Jun. 14, 2022**

(54) **FAN**

(71) Applicant: **Helen of Troy Limited**, St. Michael (BB)

(72) Inventors: **Lyndon Treacy**, Brooklyn, NY (US);
Yoon Jung Heo, Fort Lee, NJ (US);
Mark Robert Dorsey, Darien, CT (US);
Mathieu Zastawny, Jersey City, NJ (US)

(73) Assignee: **Helen of Troy Limited**, St. Michael (BB)

(**) Term: **15 Years**

(21) Appl. No.: **29/750,914**

(22) Filed: **Sep. 17, 2020**

(51) **LOC (13) Cl.** **23-04**

(52) **U.S. Cl.**
USPC **D23/382**

(58) **Field of Classification Search**
USPC D23/328, 332, 335-337, 370, 371,
D23/378-383, 385, 411-412
CPC F04D 25/088; F04D 29/388; F04D 29/34;
F04D 25/08
See application file for complete search history.

(56) **References Cited**

U.S. PATENT DOCUMENTS

D421,114 S * 2/2000 Lozzio D23/370
D621,025 S * 8/2010 Peterson D23/382

D645,952 S * 9/2011 Peterson D23/411
D850,607 S * 6/2019 Krause D23/382
D894,366 S * 8/2020 Gebert D23/382
D935,597 S * 11/2021 Zhao D23/382

OTHER PUBLICATIONS

<https://www.wl-la.com/product/ventilador-2-en-1/> (publicly available prior to Sep. 17, 2020).
<https://www.wl-la.com/product/ventilador-2-en-1-2/> (publicly available prior to Sep. 17, 2020).

* cited by examiner

Primary Examiner — Sharon S Oum

(74) *Attorney, Agent, or Firm* — Rankin, Hill & Clark LLP

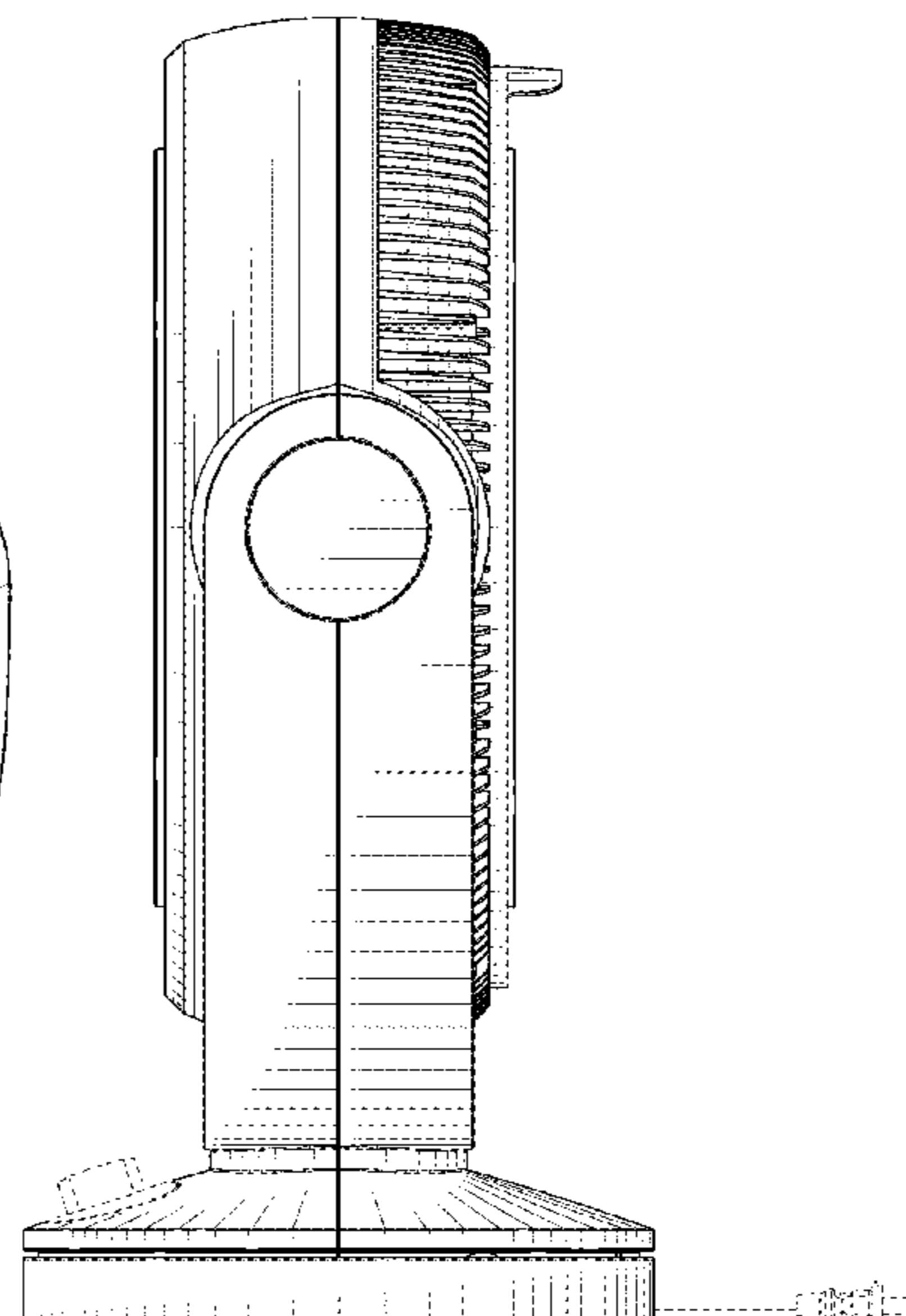
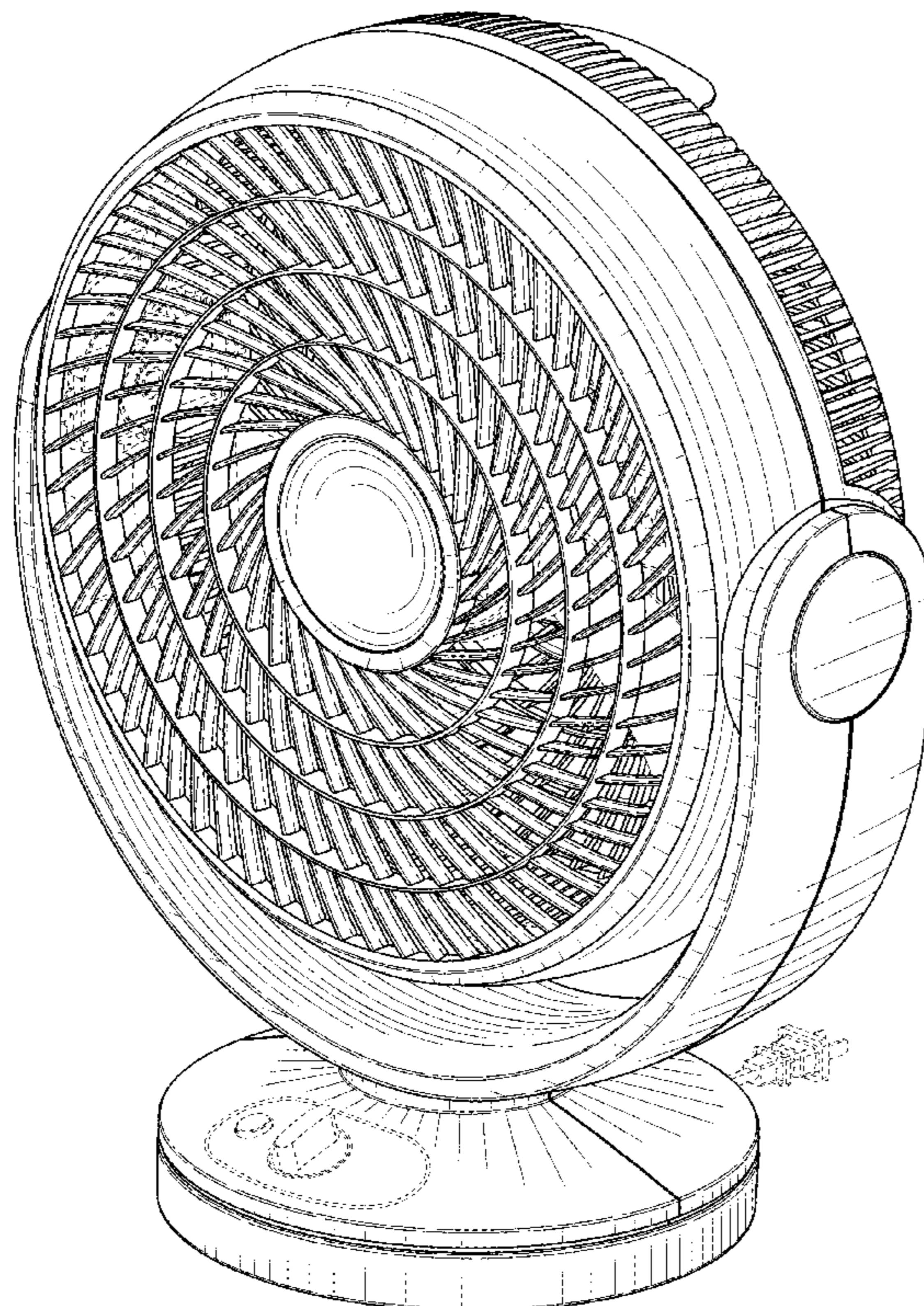
(57) **CLAIM**

The ornamental design for a fan, as shown and described.

DESCRIPTION

FIG. 1 is a perspective view of a new, original and ornamental design for a fan;
FIG. 2 is a front elevation view of FIG. 1;
FIG. 3 is a rear elevation view of FIG. 1;
FIG. 4 is a right side elevation view of FIG. 1;
FIG. 5 is a left side elevation view of FIG. 1; and,
FIG. 6 is a top plan view of FIG. 1.
The broken lines in the drawings depict portions of the fan that form no part of the claimed design.

1 Claim, 6 Drawing Sheets



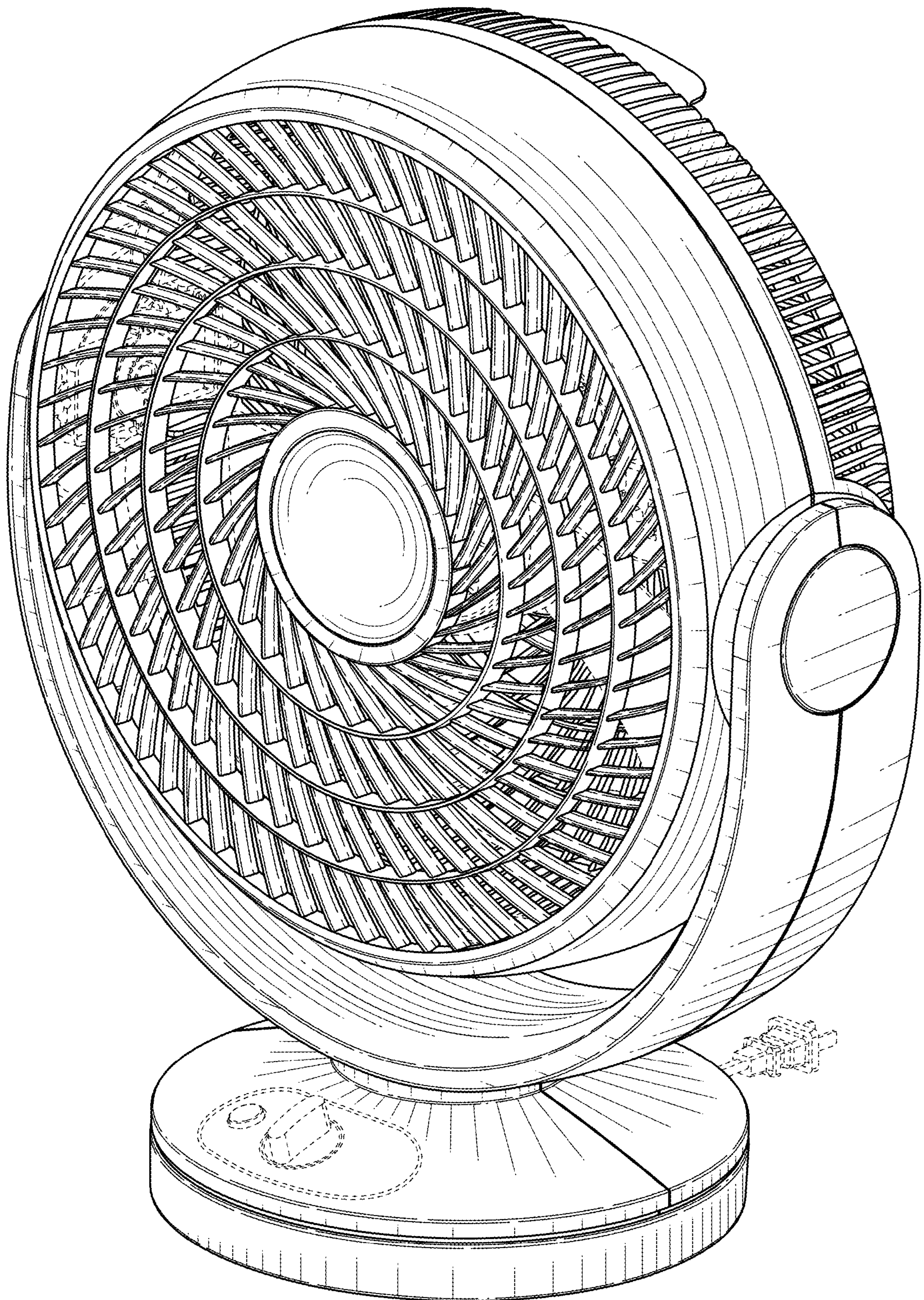


FIG. 1

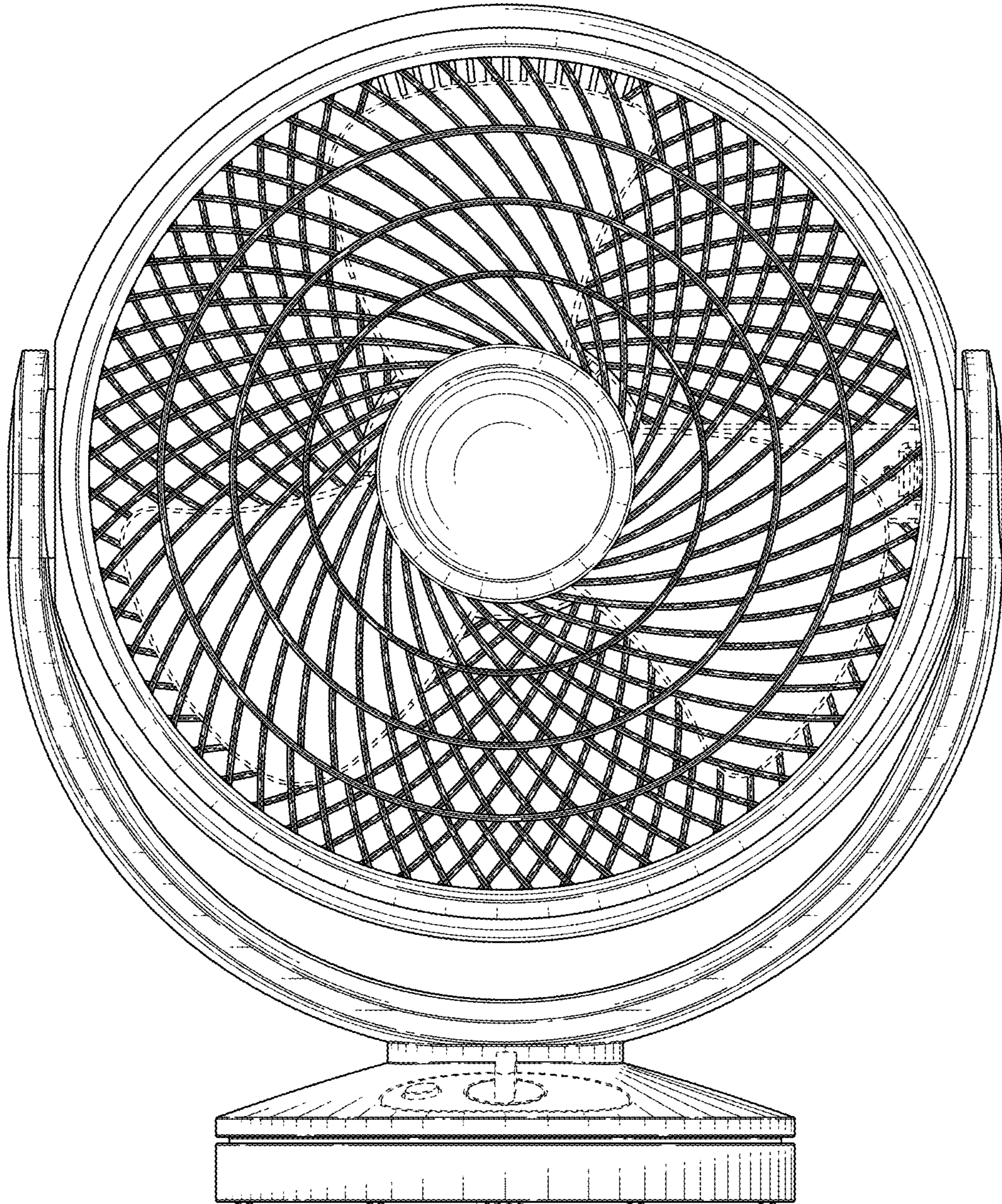


FIG. 2

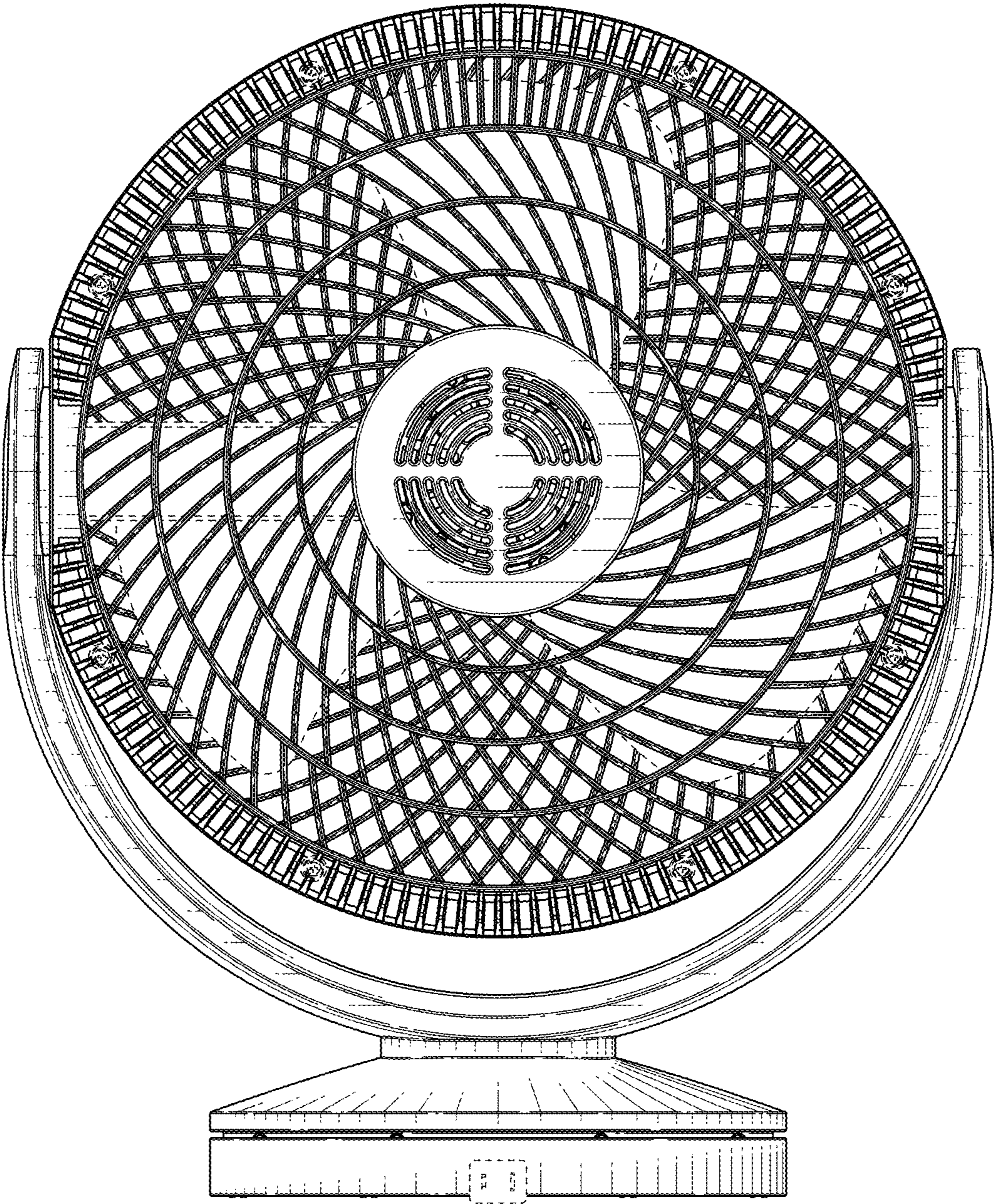


FIG. 3

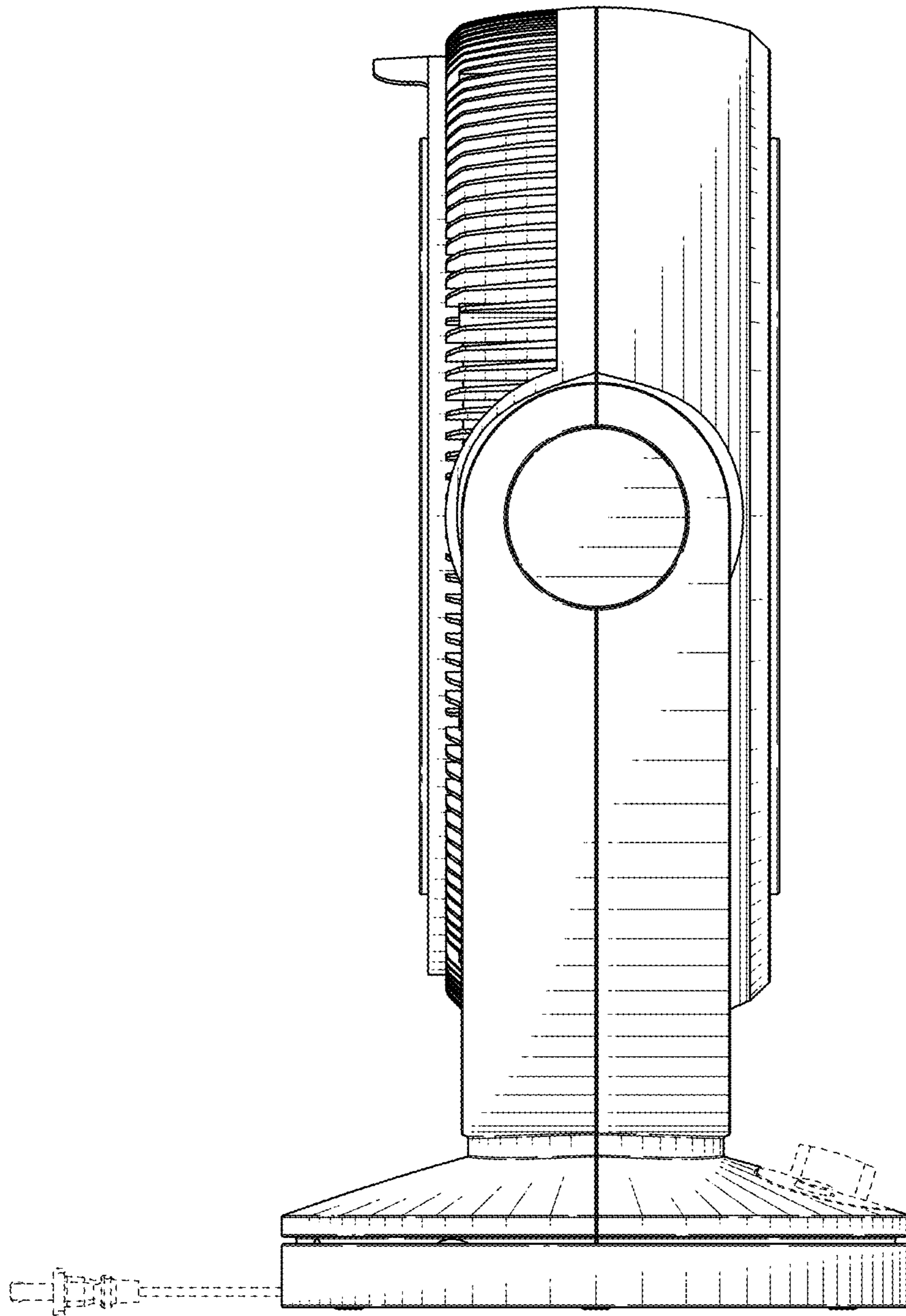


FIG. 4

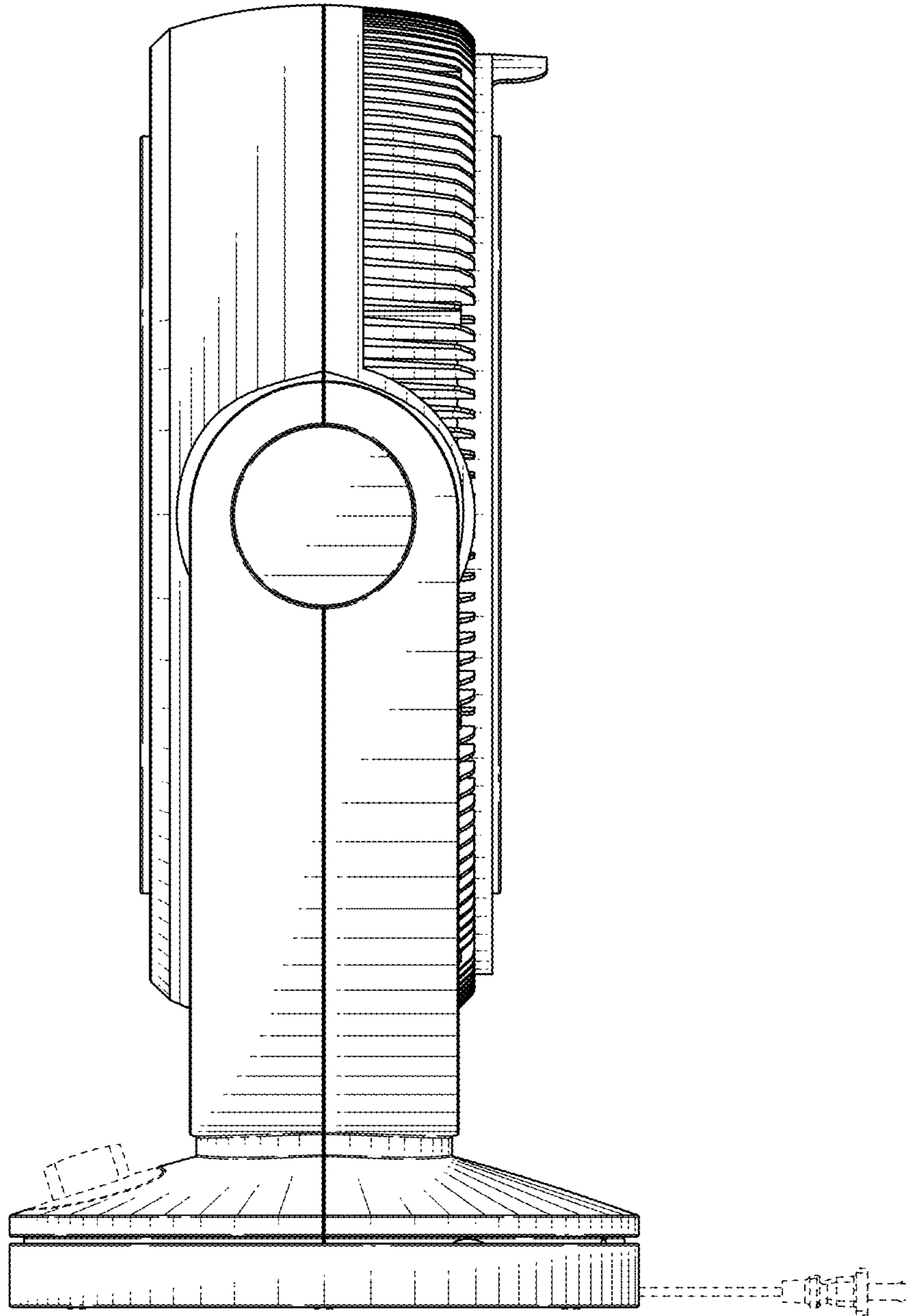


FIG. 5

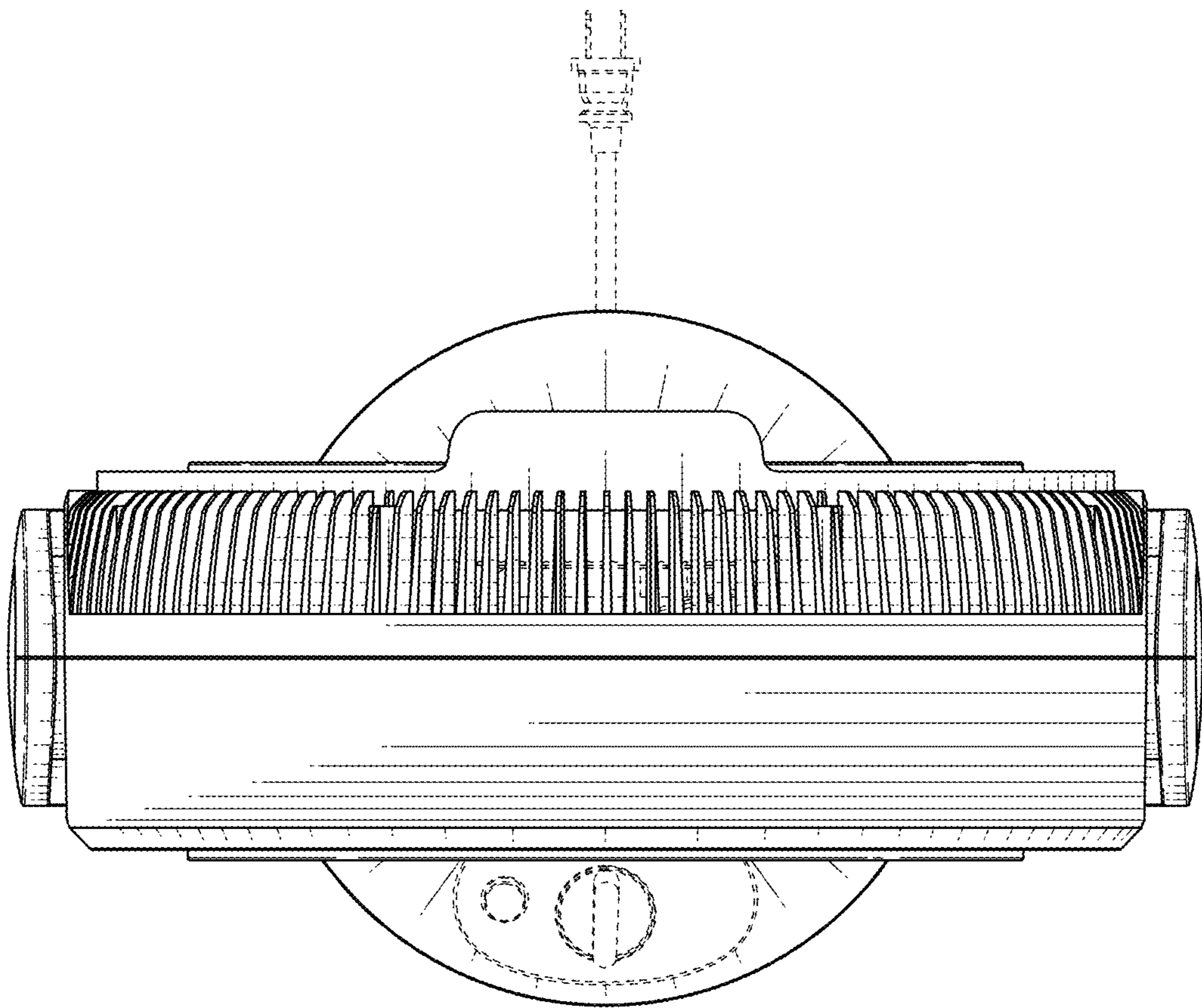


FIG. 6