



US00D954930S

(12) **United States Design Patent** (10) **Patent No.:** **US D954,930 S**
Lee (45) **Date of Patent:** **** Jun. 14, 2022**

(54) **AROMA DIFFUSER**

(56) **References Cited**

(71) Applicant: **PUZHEN LIFE CO., LTD**, Hong Kong (HK)

U.S. PATENT DOCUMENTS

(72) Inventor: **Andy Lee**, Hong Kong (HK)

D323,383 S *	1/1992	Keays	D23/366
D653,744 S *	2/2012	Li	D23/366
D681,791 S *	5/2013	Jorgensen	D23/366
D815,149 S *	4/2018	Langhammer	D14/496
D815,270 S *	4/2018	Li	D23/366
D826,205 S *	8/2018	Langhammer	D14/511
D886,079 S *	6/2020	Feng	D14/216
D931,834 S *	9/2021	Han	D14/216
D935,641 S *	11/2021	Zhou	D24/231
D943,791 S *	2/2022	Wang	D26/37

(73) Assignee: **PUZHEN LIFE CO., LTD**, Hong Kong (HK)

(**) Term: **15 Years**

* cited by examiner

(21) Appl. No.: **29/759,985**

Primary Examiner — Gino Colan
Assistant Examiner — David OBrien

(22) Filed: **Nov. 27, 2020**

(30) **Foreign Application Priority Data**

(57) **CLAIM**

Oct. 14, 2020 (HK) 2016953.2M007

The ornamental design for an aroma diffuser, as shown and described.

(51) **LOC (13) Cl.** **23-04**

(52) **U.S. Cl.**
USPC **D23/366**

DESCRIPTION

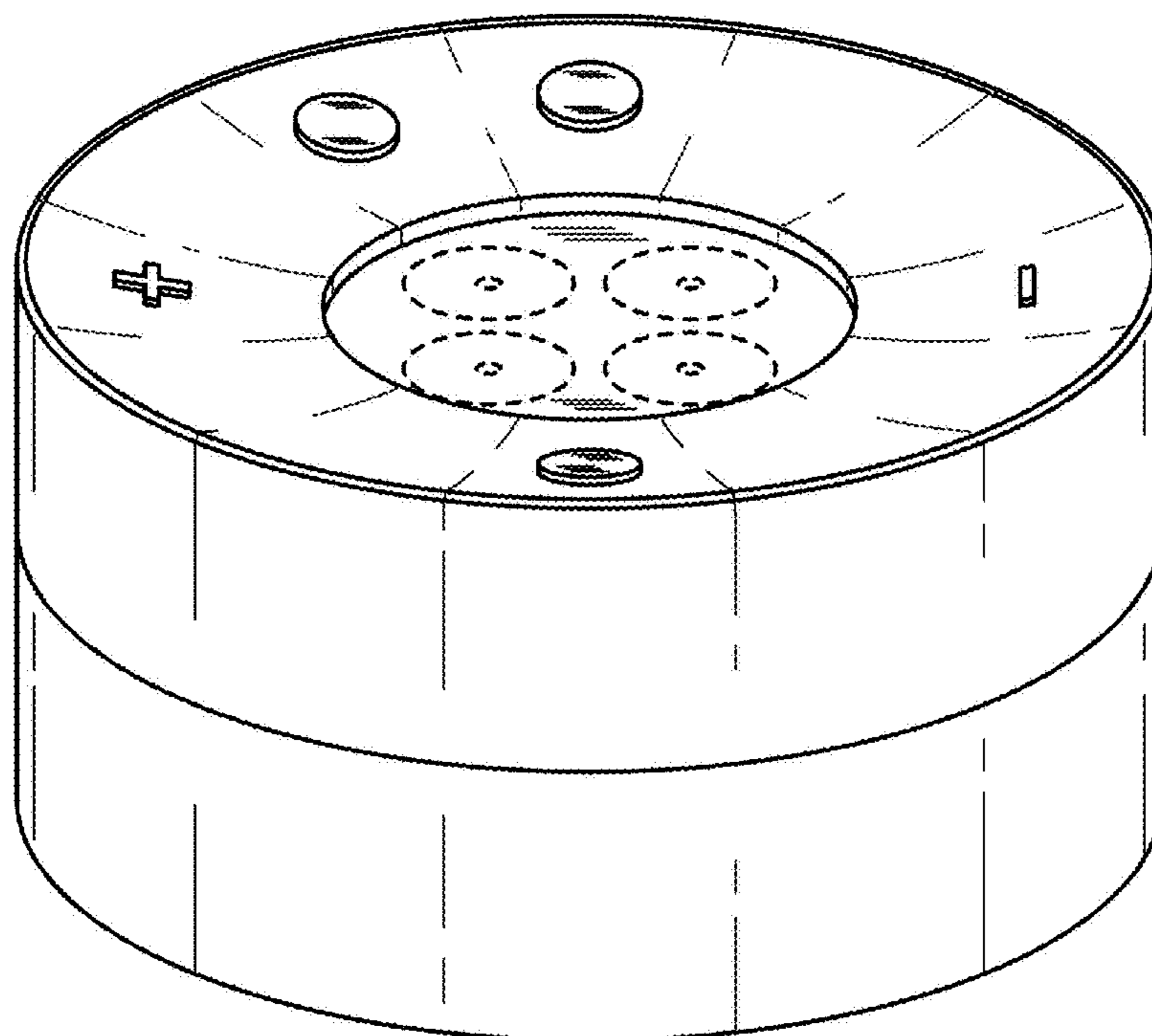
(58) **Field of Classification Search**

USPC D23/332, 333, 351–369; D7/300.1, 506;
D11/143, 146; D14/188, 194, 195, 197,
D14/203.2, 203.6, 204, 209, 213, 215,
D14/216, 221, 228, 496, 511; D32/30;
D26/37, 40, 41, 49, 124, 128, 137;
D24/231
CPC F24F 6/02; F24F 6/12; A61L 9/03; A61L
9/04; A61L 9/05; A61L 9/12; A61L 9/14;
A61L 9/012; A61L 9/015; A61L 9/048;
A61L 9/127; Y10S 261/88; Y10S 261/89;
A47G 7/06

FIG. 1 is a front elevational view of an aroma diffuser showing my new design;
FIG. 2 is a rear elevational view thereof;
FIG. 3 is a left side view thereof;
FIG. 4 is a right side view thereof;
FIG. 5 is a top plan view thereof;
FIG. 6 is a bottom plan view thereof;
FIG. 7 is a top and front perspective view thereof; and,
FIG. 8 is a bottom and rear perspective view thereof.
The broken lines in the drawings illustrate portions of the aroma diffuser which form no part of the claimed design.

See application file for complete search history.

1 Claim, 8 Drawing Sheets



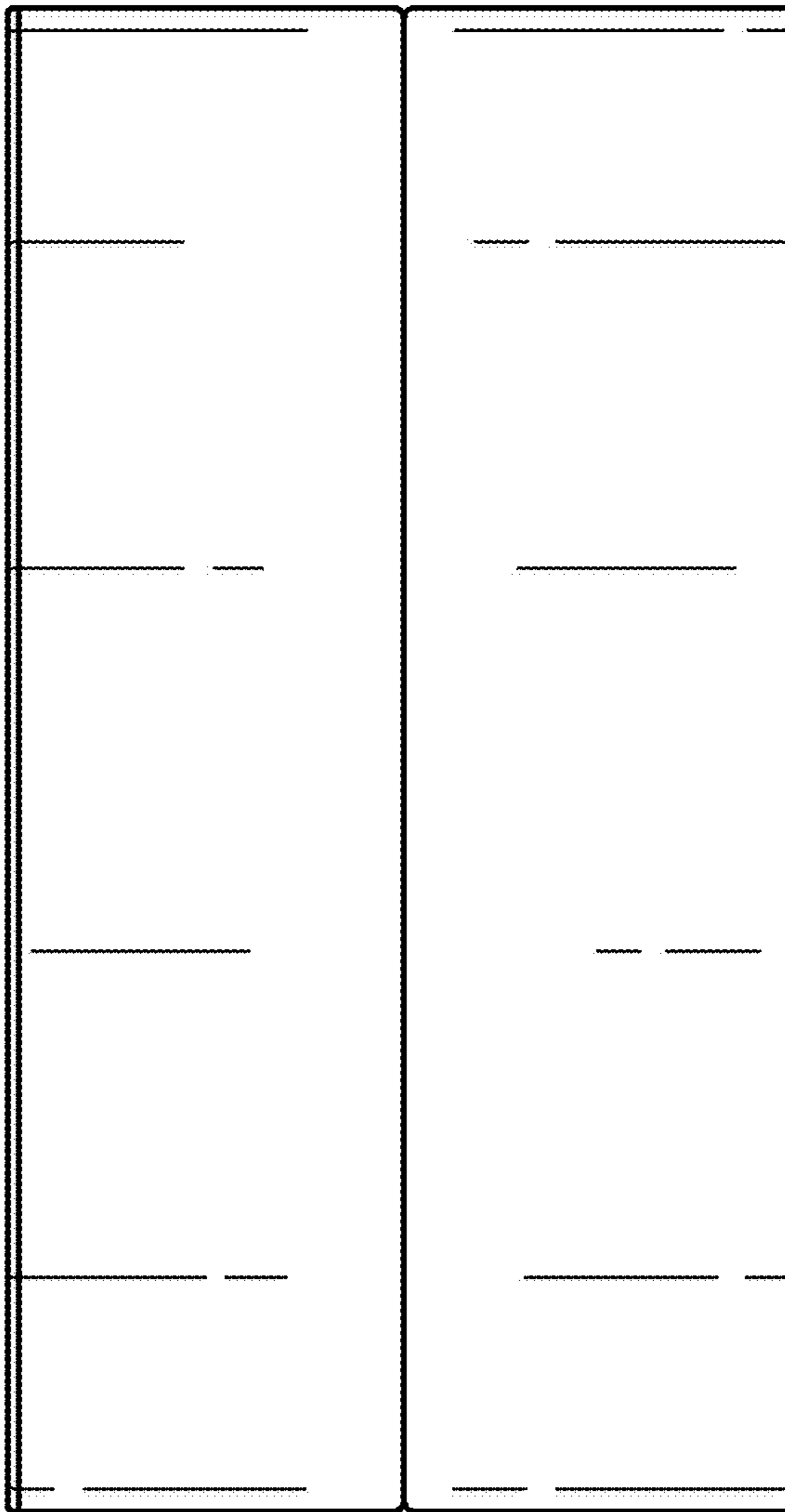


Fig. 1

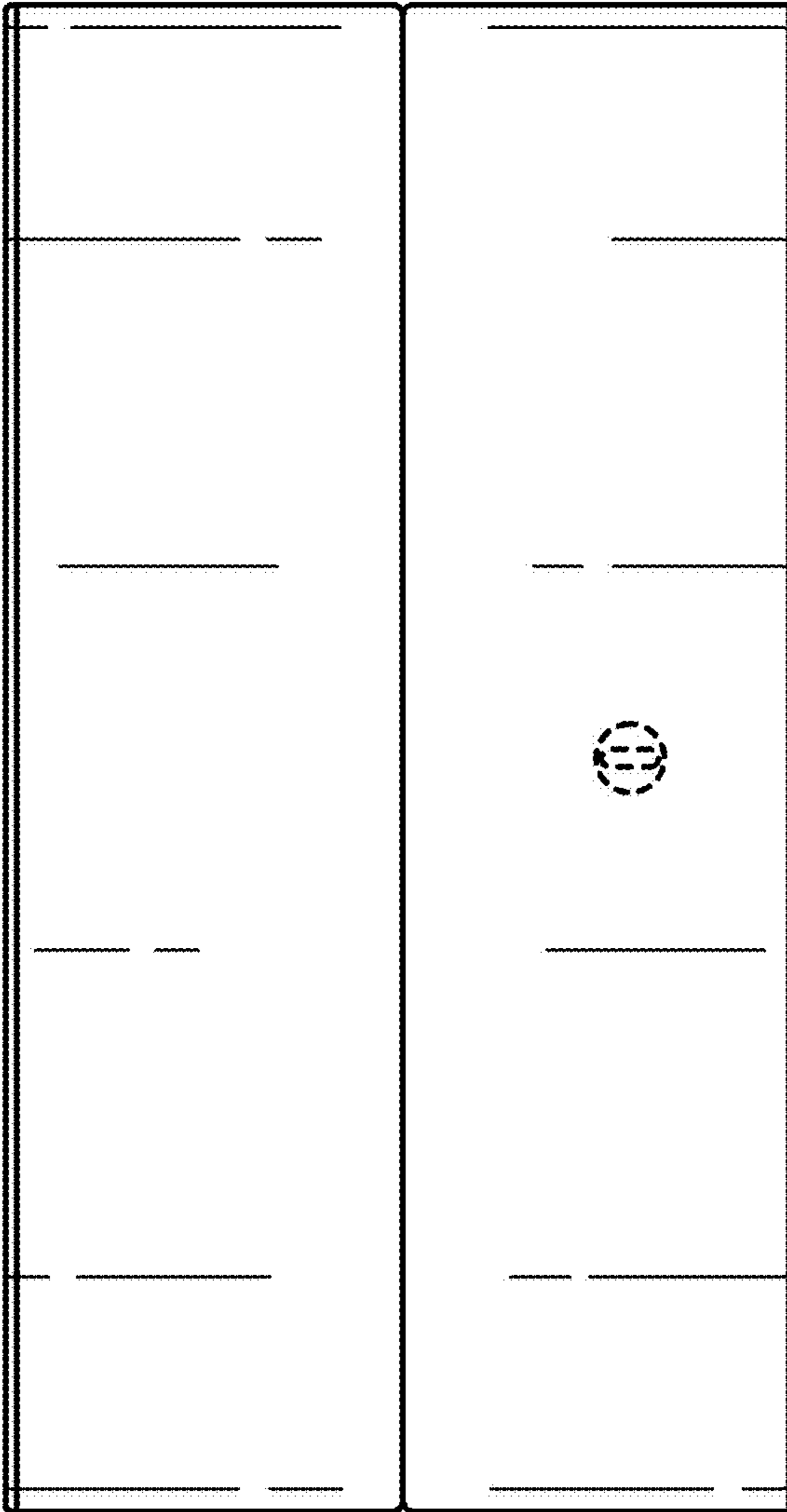


Fig. 2

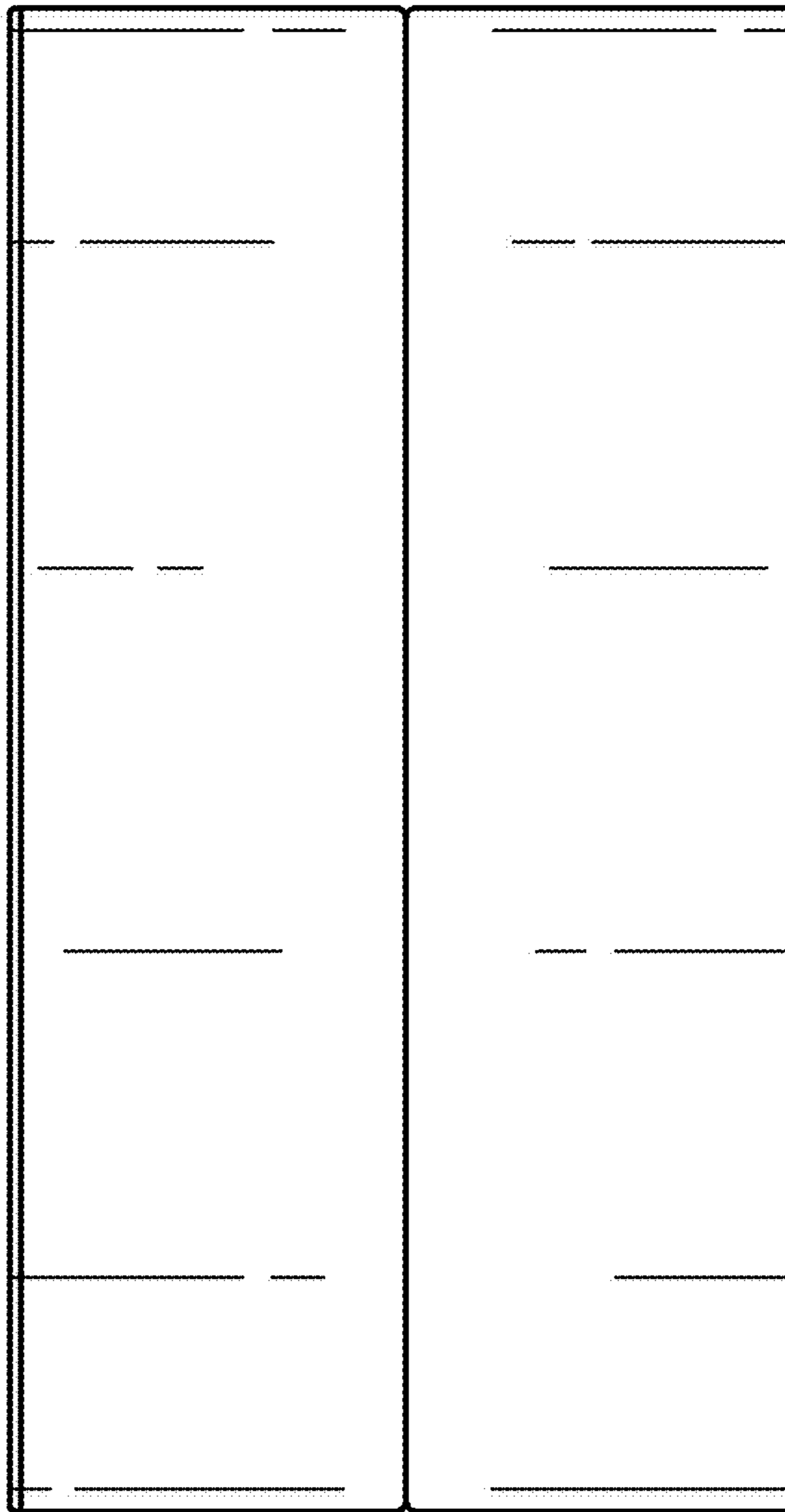


Fig. 3

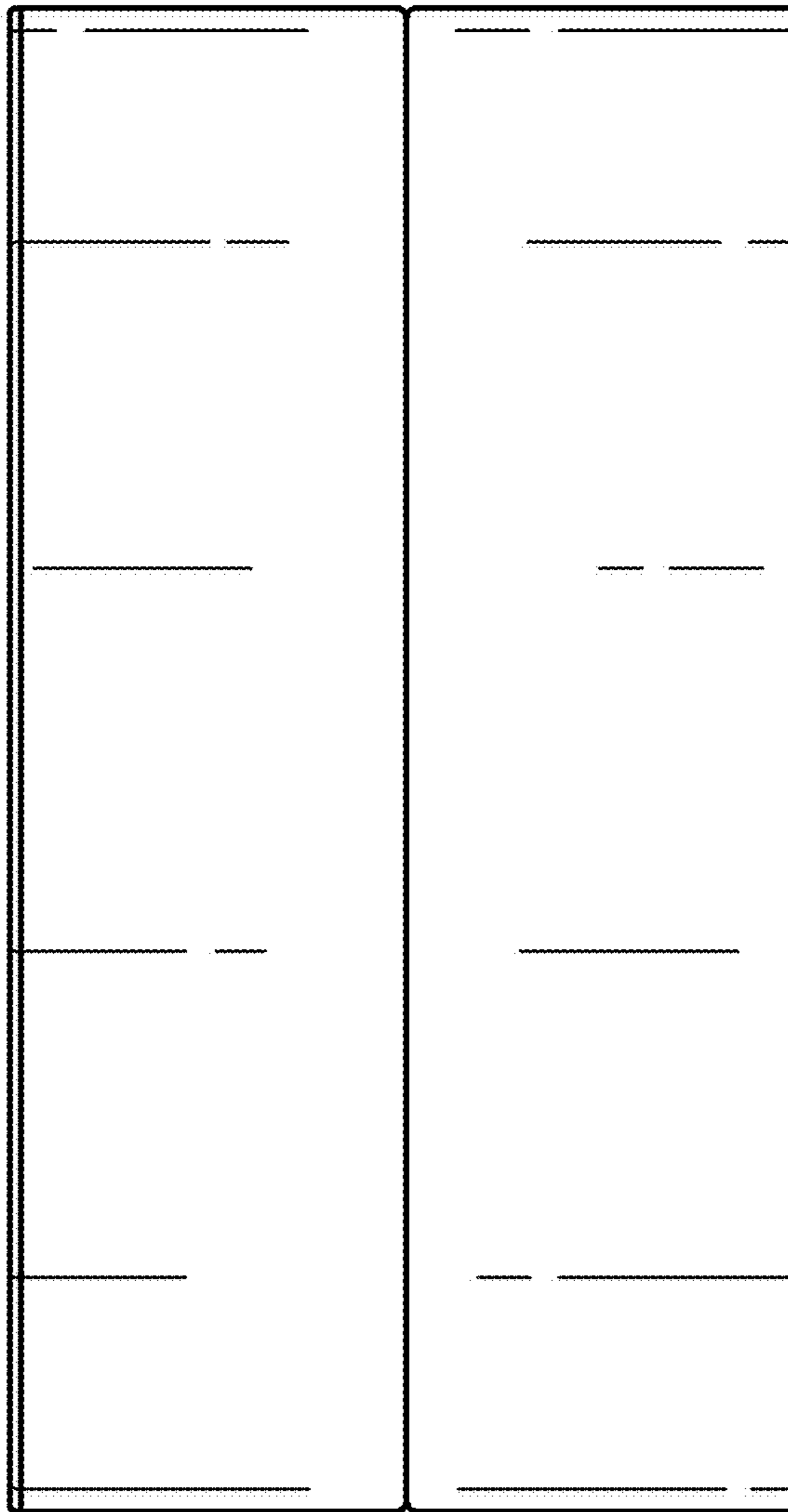


Fig. 4

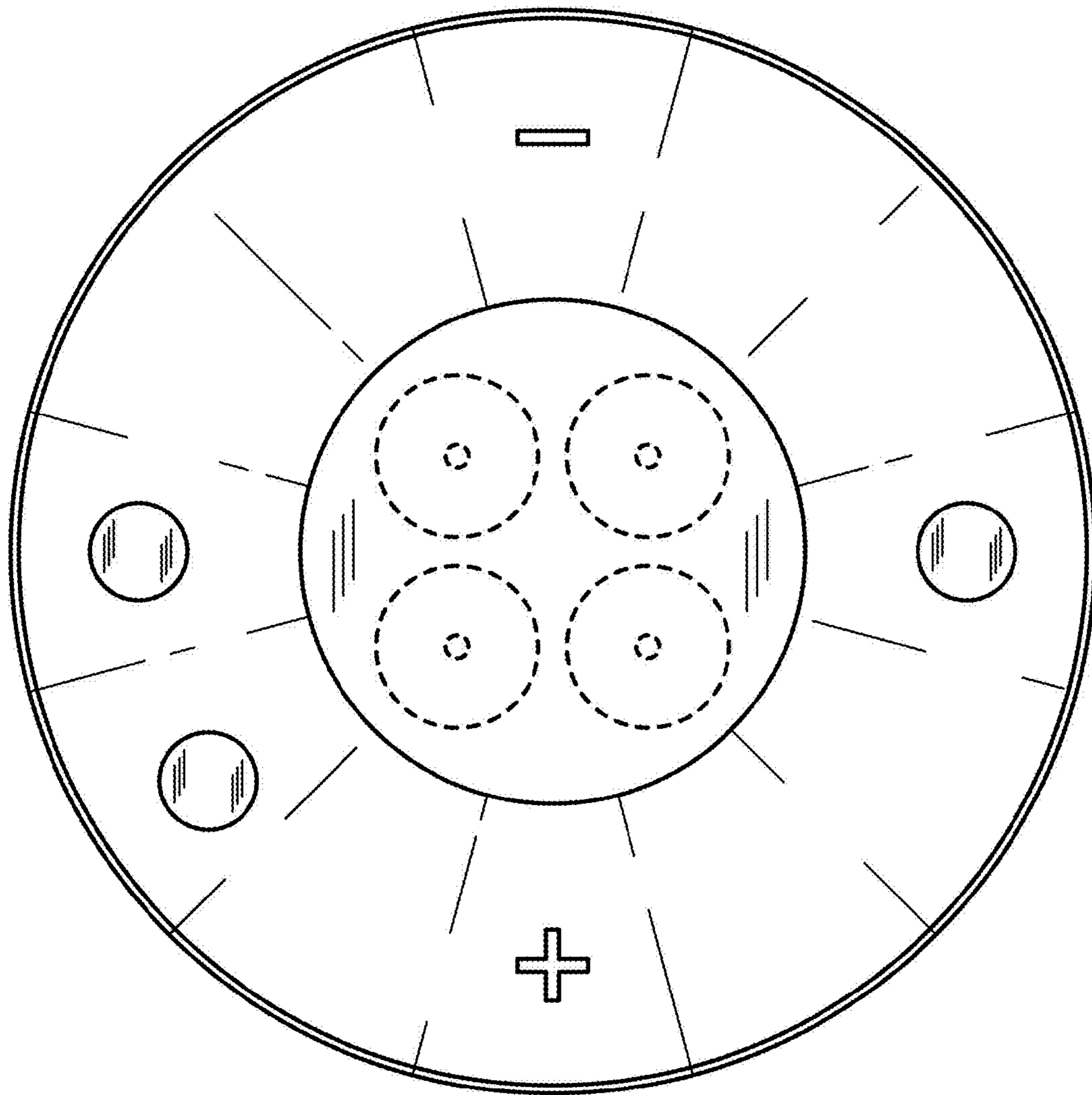


Fig. 5

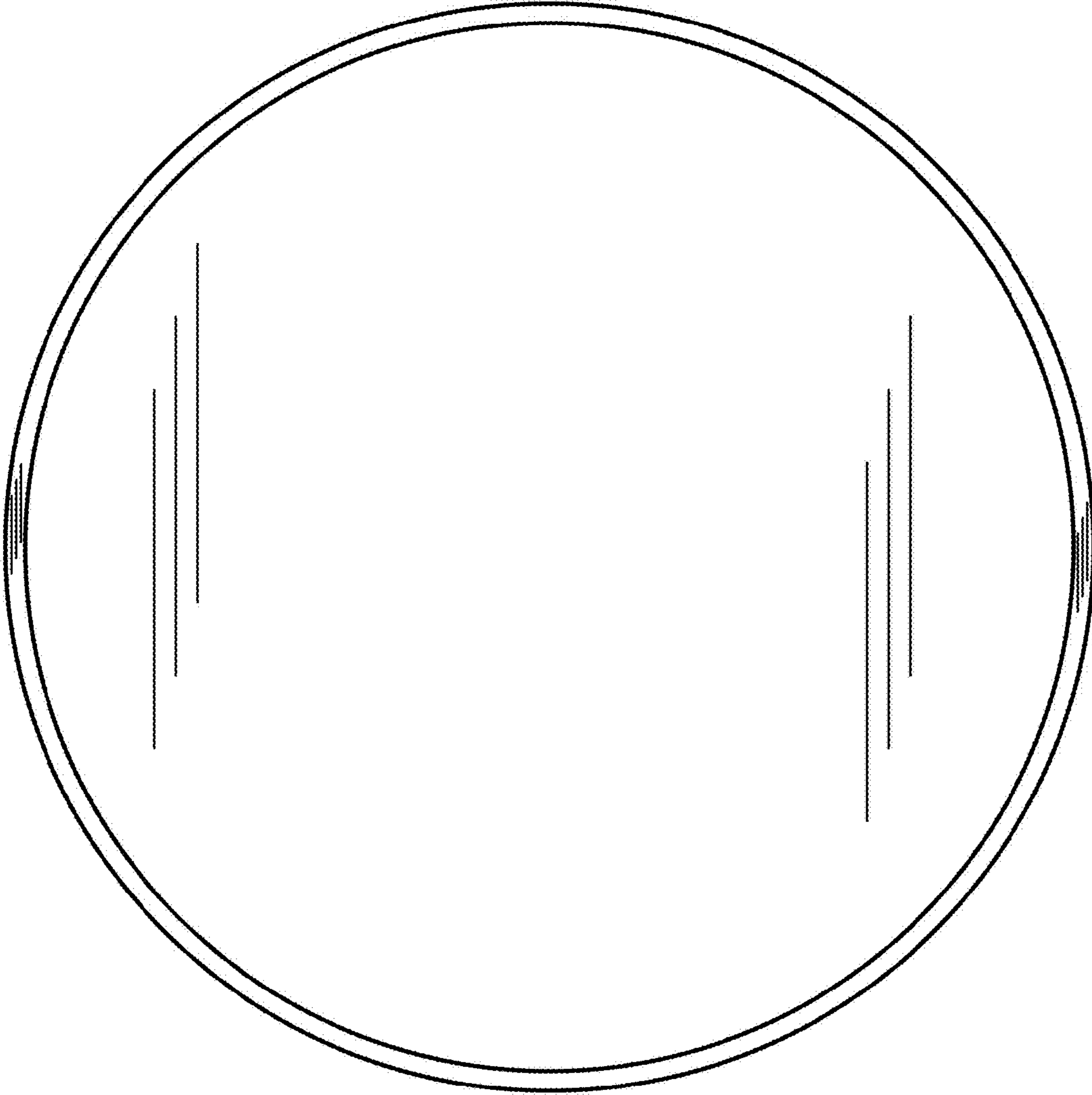


Fig. 6

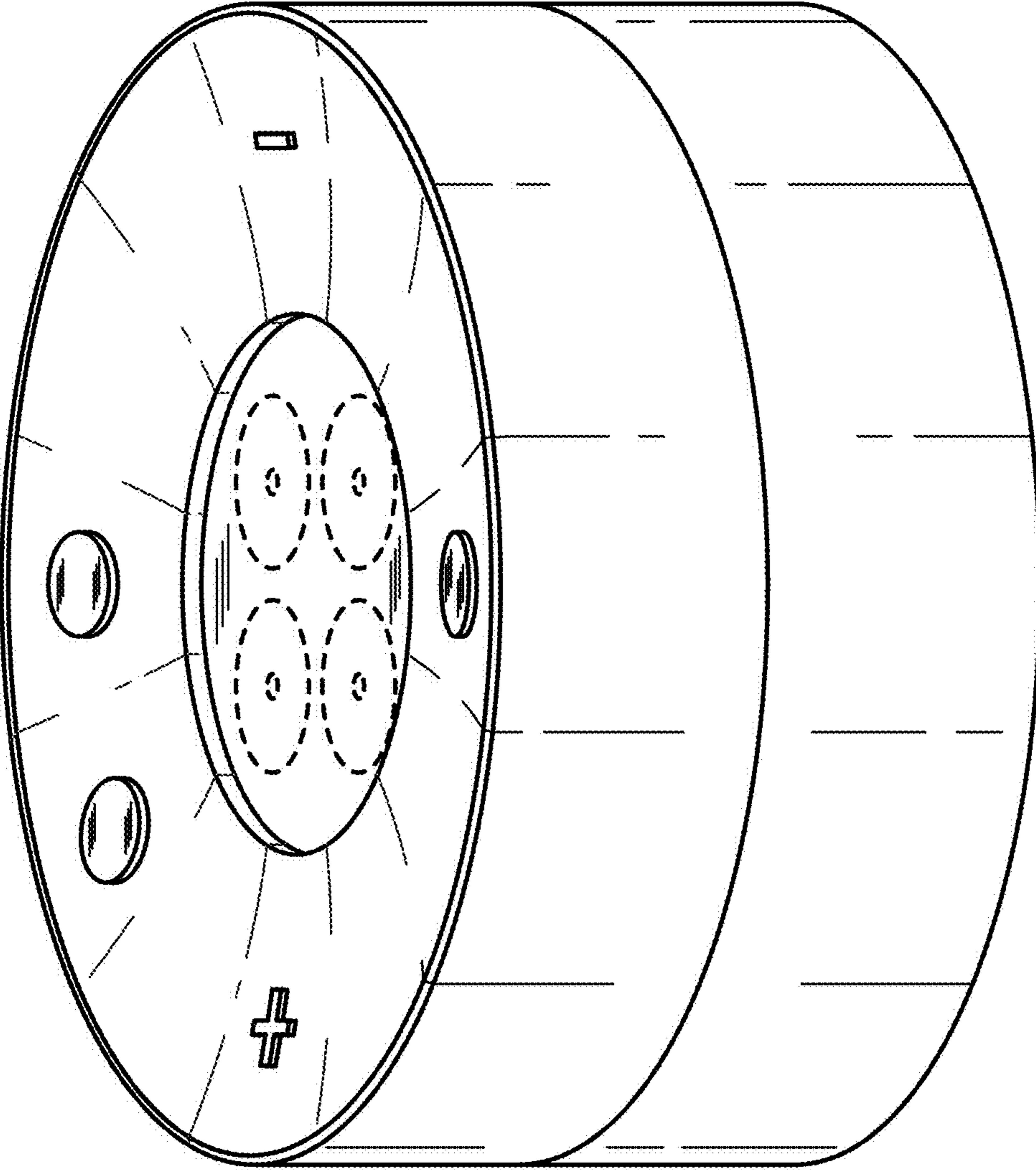


Fig. 7

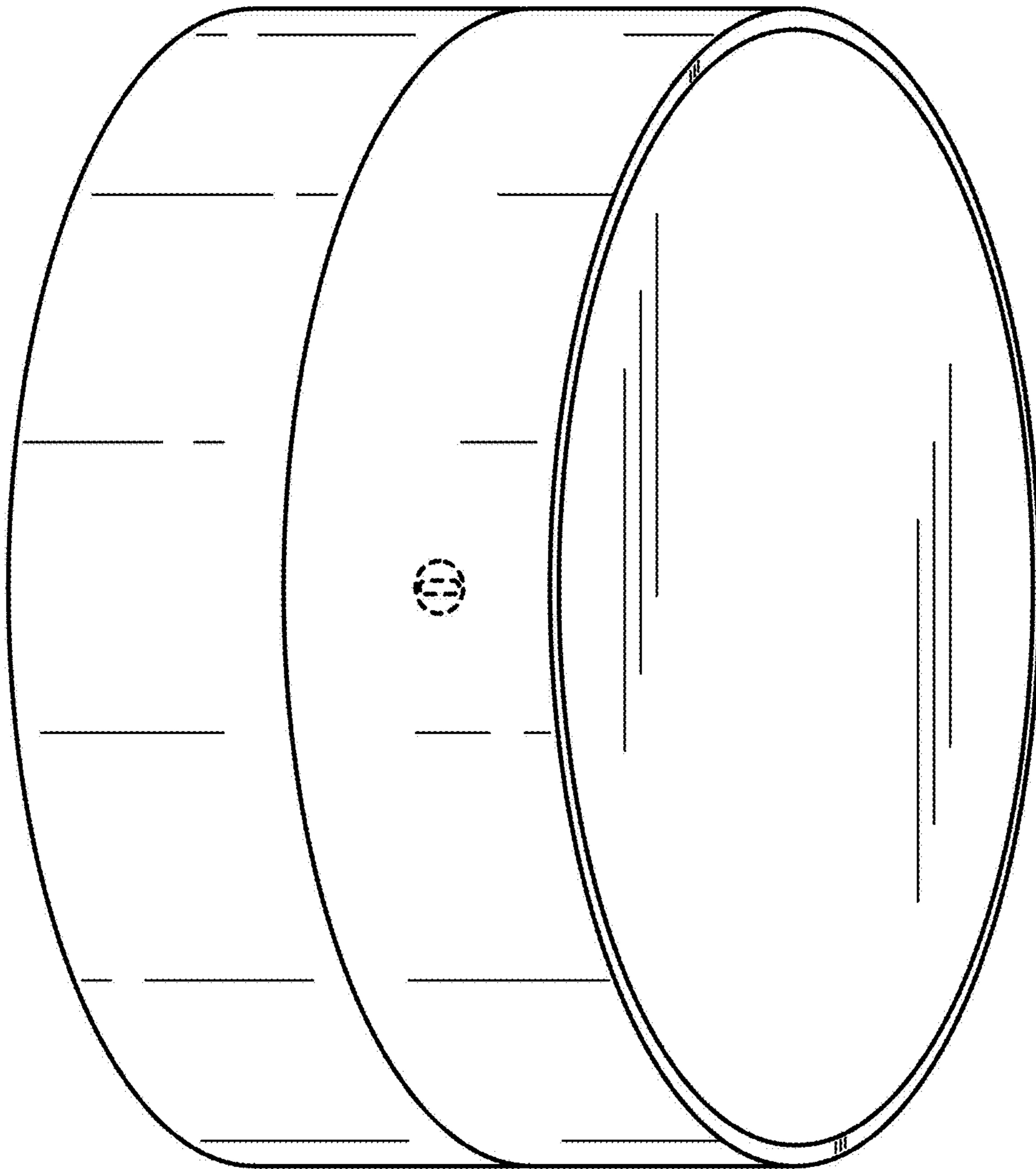


Fig. 8