

US00D954929S

(12) **United States Design Patent** (10) **Patent No.:** **US D954,929 S**
Lee (45) **Date of Patent:** **** Jun. 14, 2022**

(54) **AROMA DIFFUSER**

(56) **References Cited**

(71) Applicant: **PUZHEN LIFE CO., LTD**, Hong Kong (HK)

U.S. PATENT DOCUMENTS

(72) Inventor: **Andy Lee**, Hong Kong (HK)

D254,127 S *	2/1980	Sgroi	47/79
D292,311 S *	10/1987	Joyaux	D23/366
D720,063 S *	12/2014	Li	D23/366
D800,285 S *	10/2017	Seo	D23/358
D828,332 S *	9/2018	Hu	D14/216
D855,784 S *	8/2019	Seo	D23/358
D856,573 S *	8/2019	McRoberts	D26/128
D888,913 S *	6/2020	Ling	D23/333
D902,471 S *	11/2020	Canizares	D26/106

(73) Assignee: **PUZHEN LIFE CO., LTD**, Hong Kong (HK)

(**) Term: **15 Years**

* cited by examiner

(21) Appl. No.: **29/756,709**

Primary Examiner — Gino Colan
Assistant Examiner — David OBrien

(22) Filed: **Oct. 30, 2020**

(30) **Foreign Application Priority Data**

(57) **CLAIM**

Jun. 11, 2020 (HK) 2016319.8

The ornamental design for an aroma diffuser, as shown and described.

(51) **LOC (13) Cl.** **23-04**

DESCRIPTION

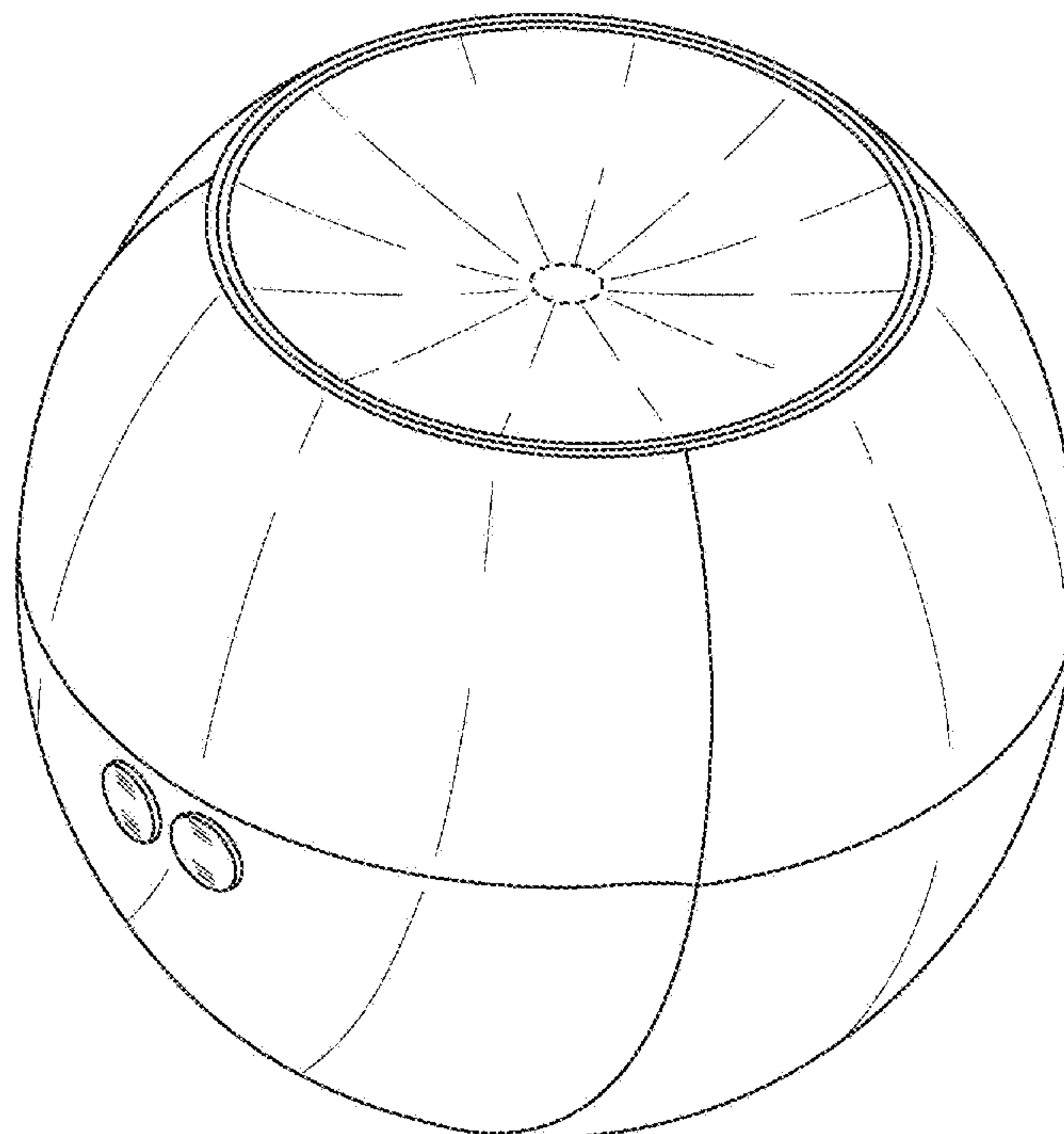
(52) **U.S. Cl.**
USPC **D23/366**

(58) **Field of Classification Search**
USPC D23/332, 333, 351–369; D7/300.1, 506; D11/143, 146; D14/188, 194, 195, 197, D14/203.2, 203.6, 204, 209, 213, 215, D14/216, 221, 228, 496, 511; D32/30; D26/37, 40, 41, 49, 106, 124, 128, 137; D24/231; 47/79
CPC F24F 6/02; F24F 6/12; A61L 9/03; A61L 9/04; A61L 9/05; A61L 9/12; A61L 9/14; A61L 9/012; A61L 9/015; A61L 9/048; A61L 9/127; A61L 2209/133; Y10S 261/88; Y10S 261/89; A47G 7/06; F21V 3/00; F21V 17/00

FIG. 1 is a front elevational view of an aroma diffuser showing my new design;
FIG. 2 is a rear elevational view thereof;
FIG. 3 is a left side view thereof;
FIG. 4 is a right side view thereof;
FIG. 5 is a top plan view thereof;
FIG. 6 is a bottom plan view thereof;
FIG. 7 is a top, front and right side perspective view thereof;
and,
FIG. 8 is a bottom and rear perspective view thereof.
The broken lines in FIGS. 5-8 illustrate portions of the aroma diffuser which form no part of the claimed design.

See application file for complete search history.

1 Claim, 8 Drawing Sheets



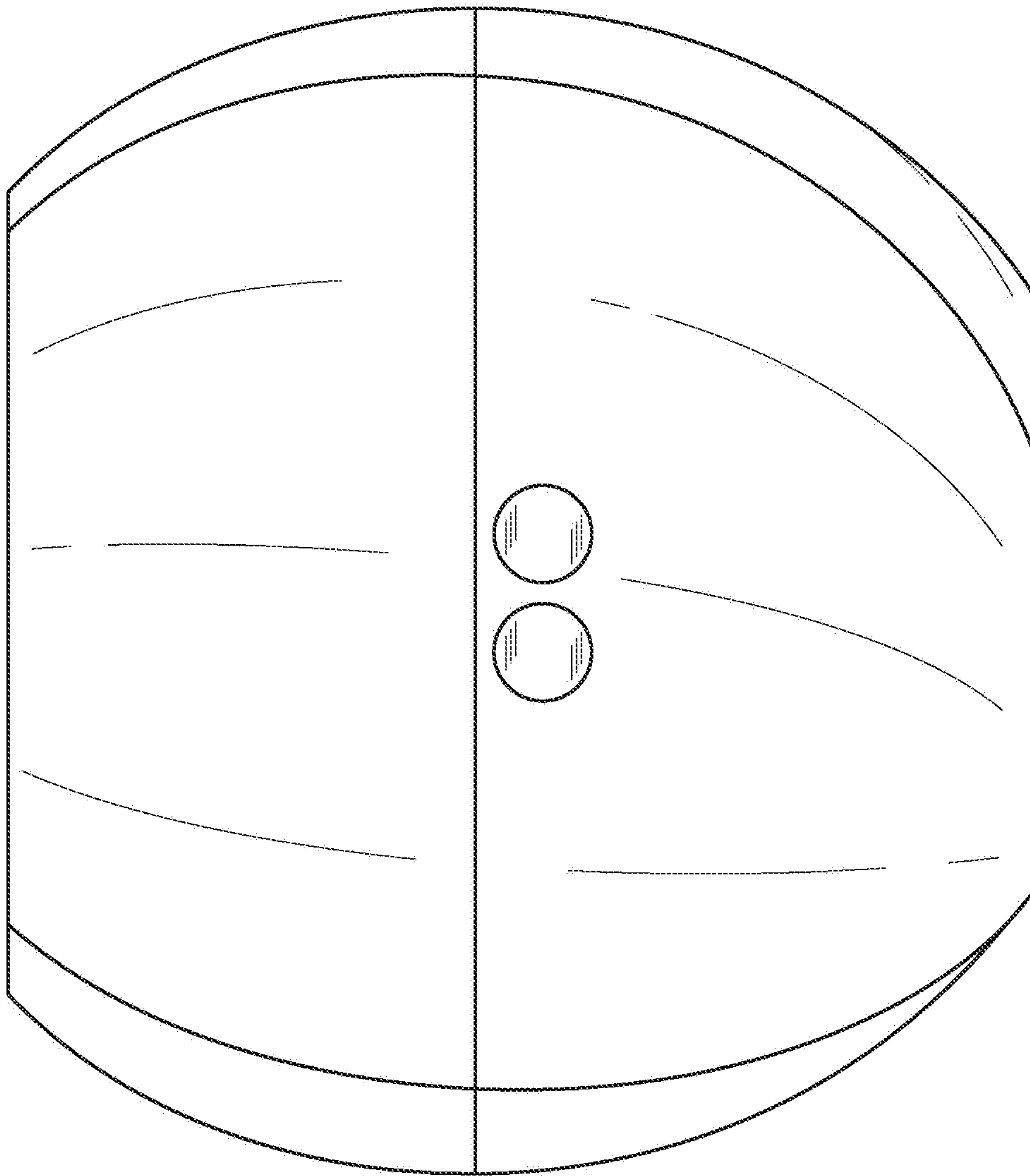


Fig. 1

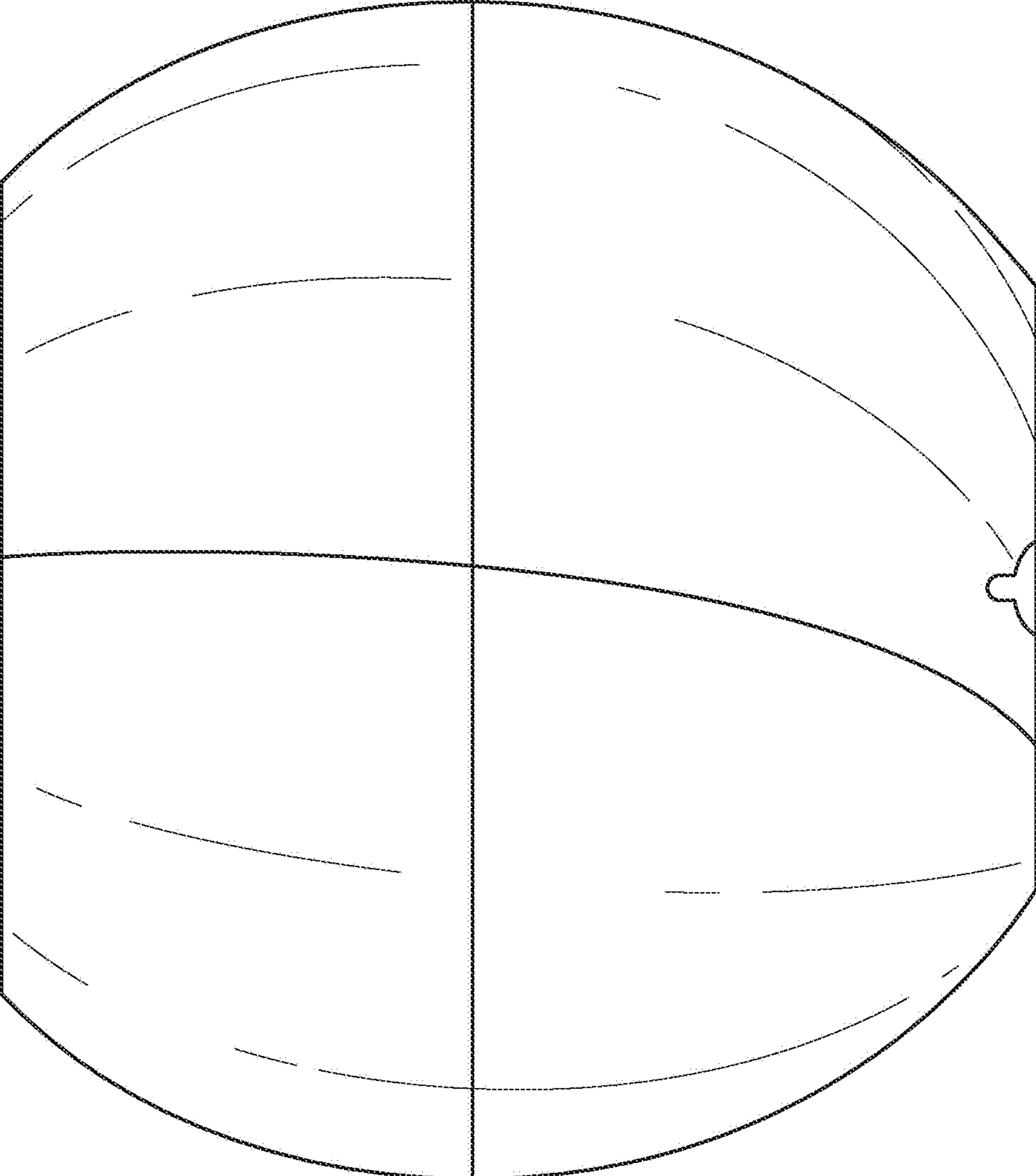


Fig. 2

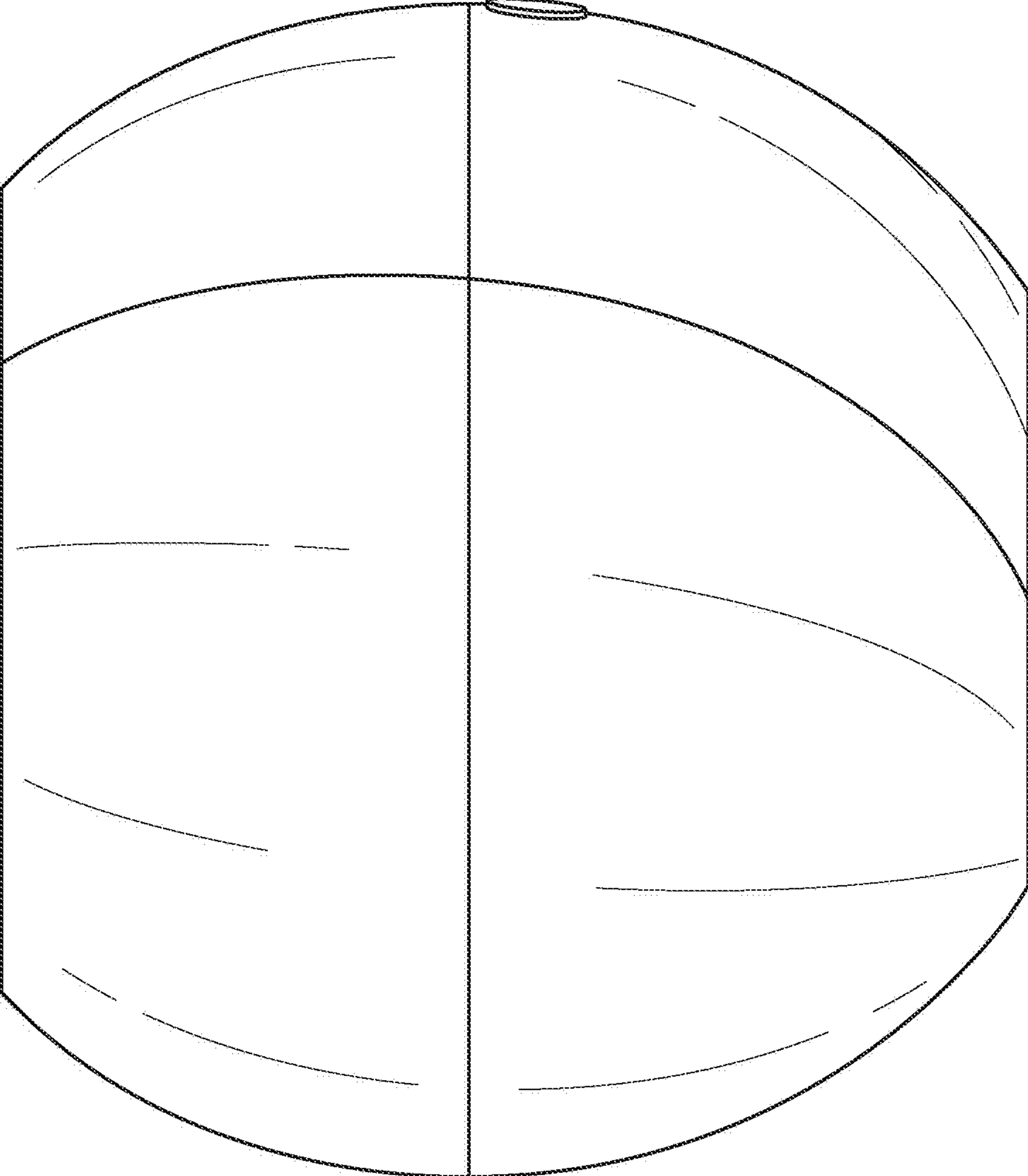


Fig. 3

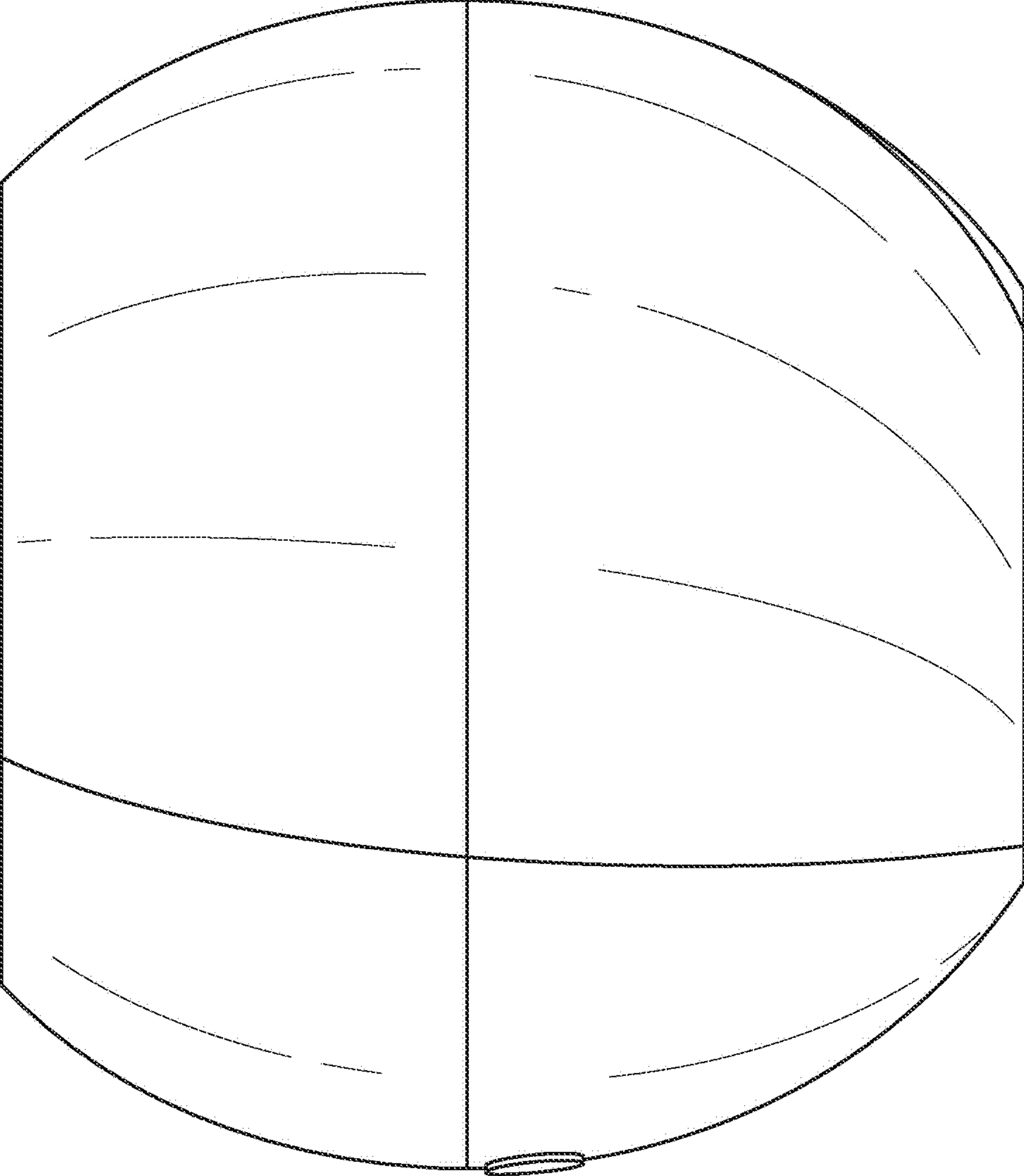


Fig. 4

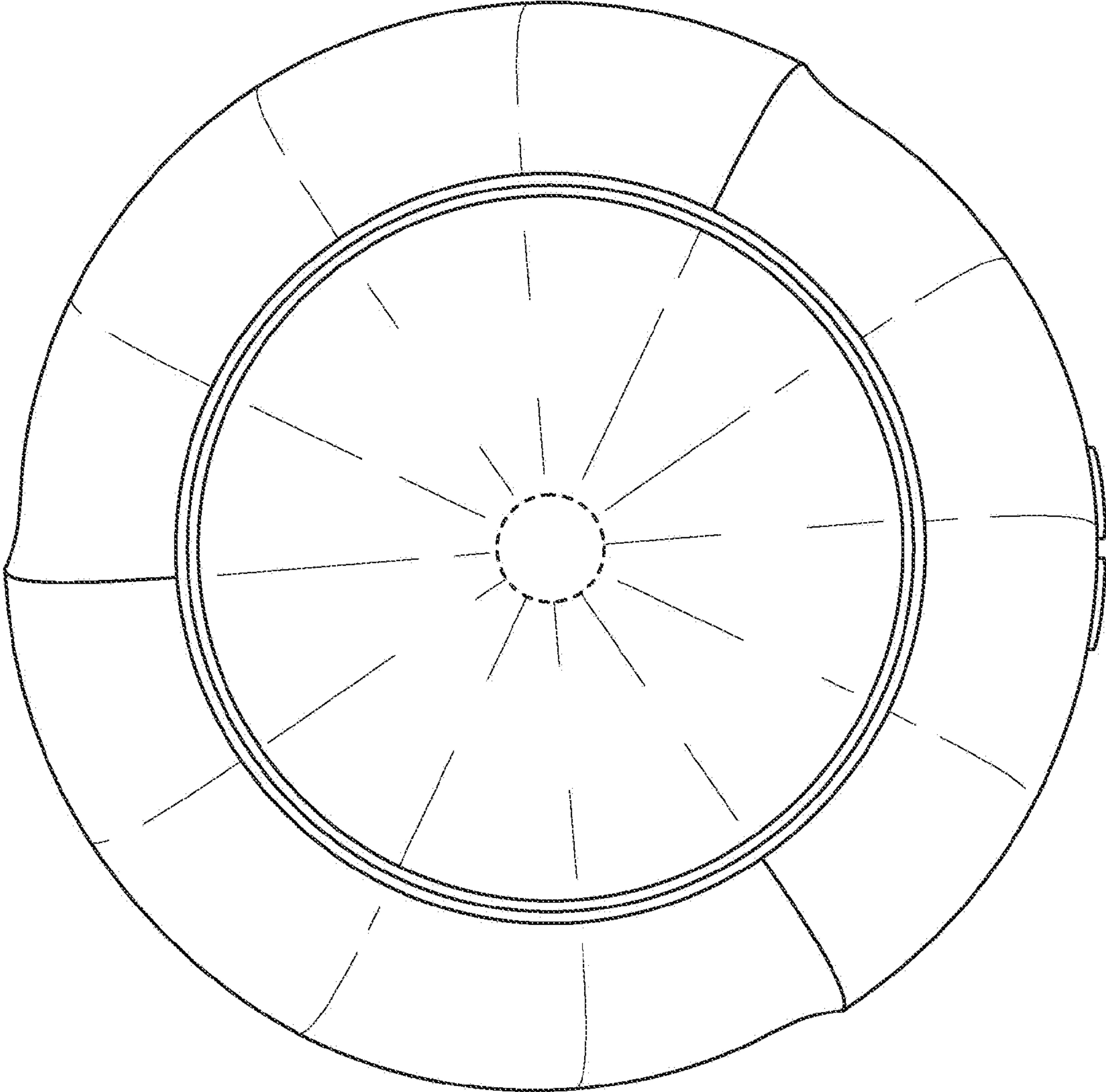


Fig. 5

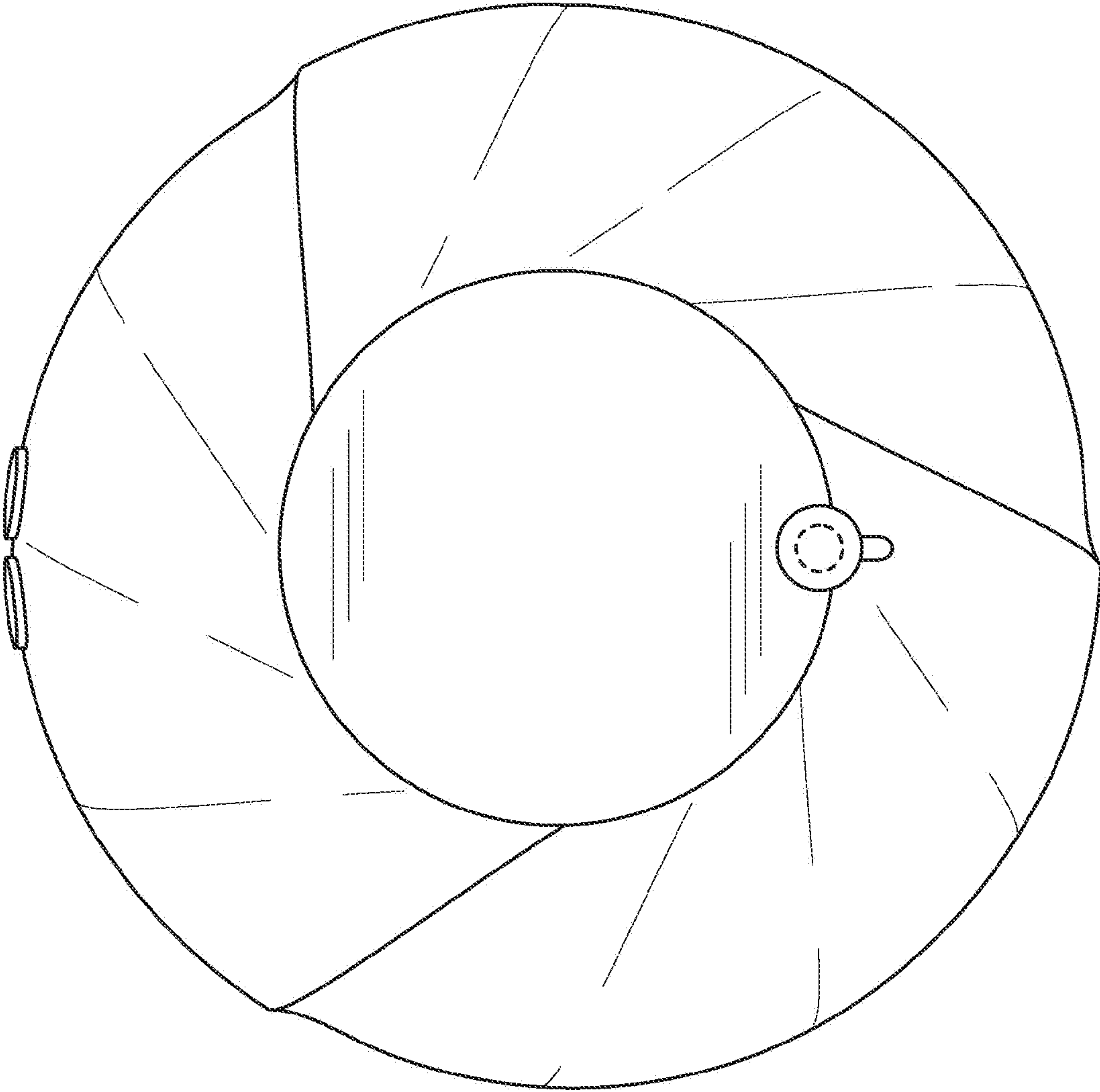


Fig. 6

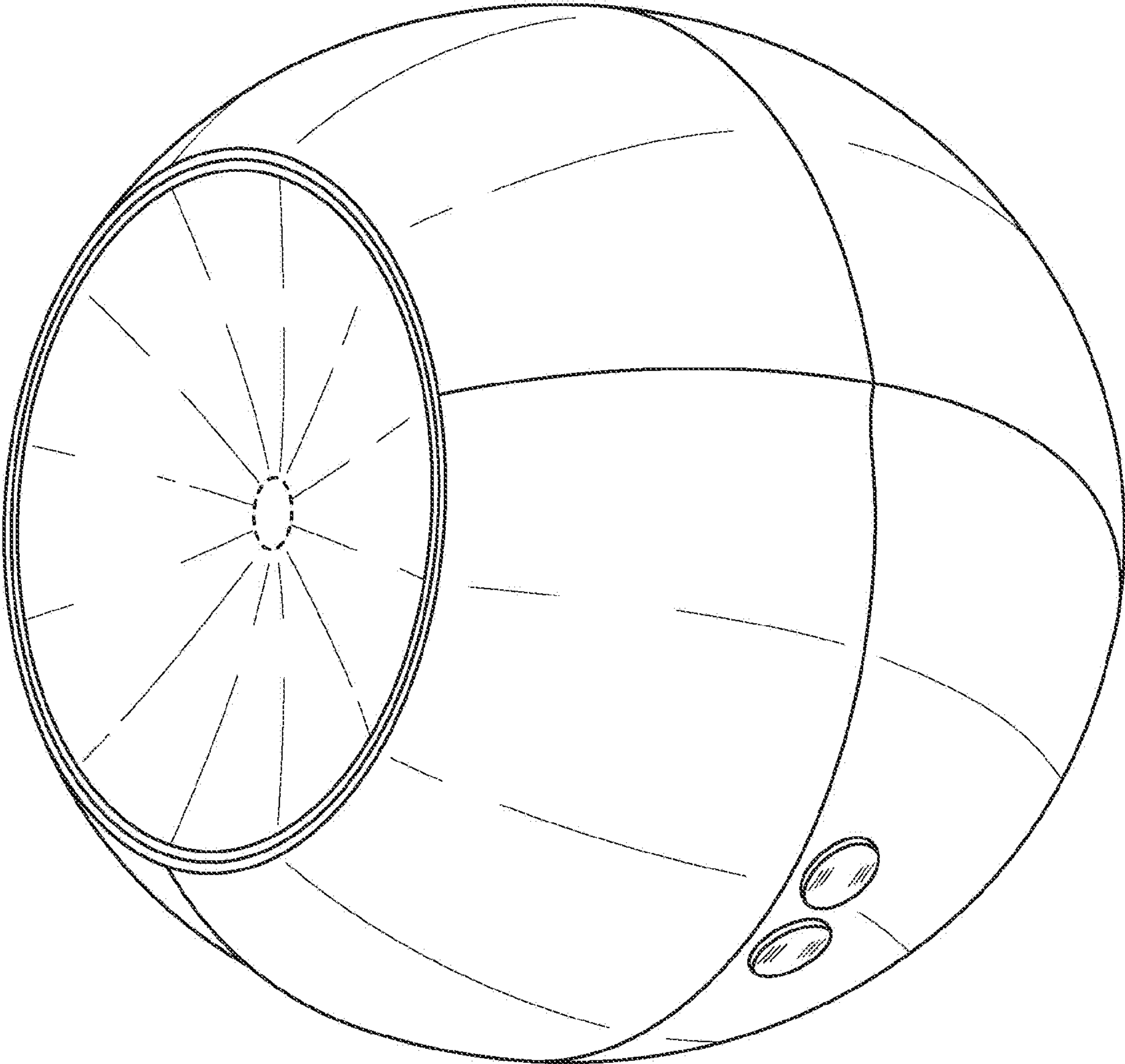


Fig. 7

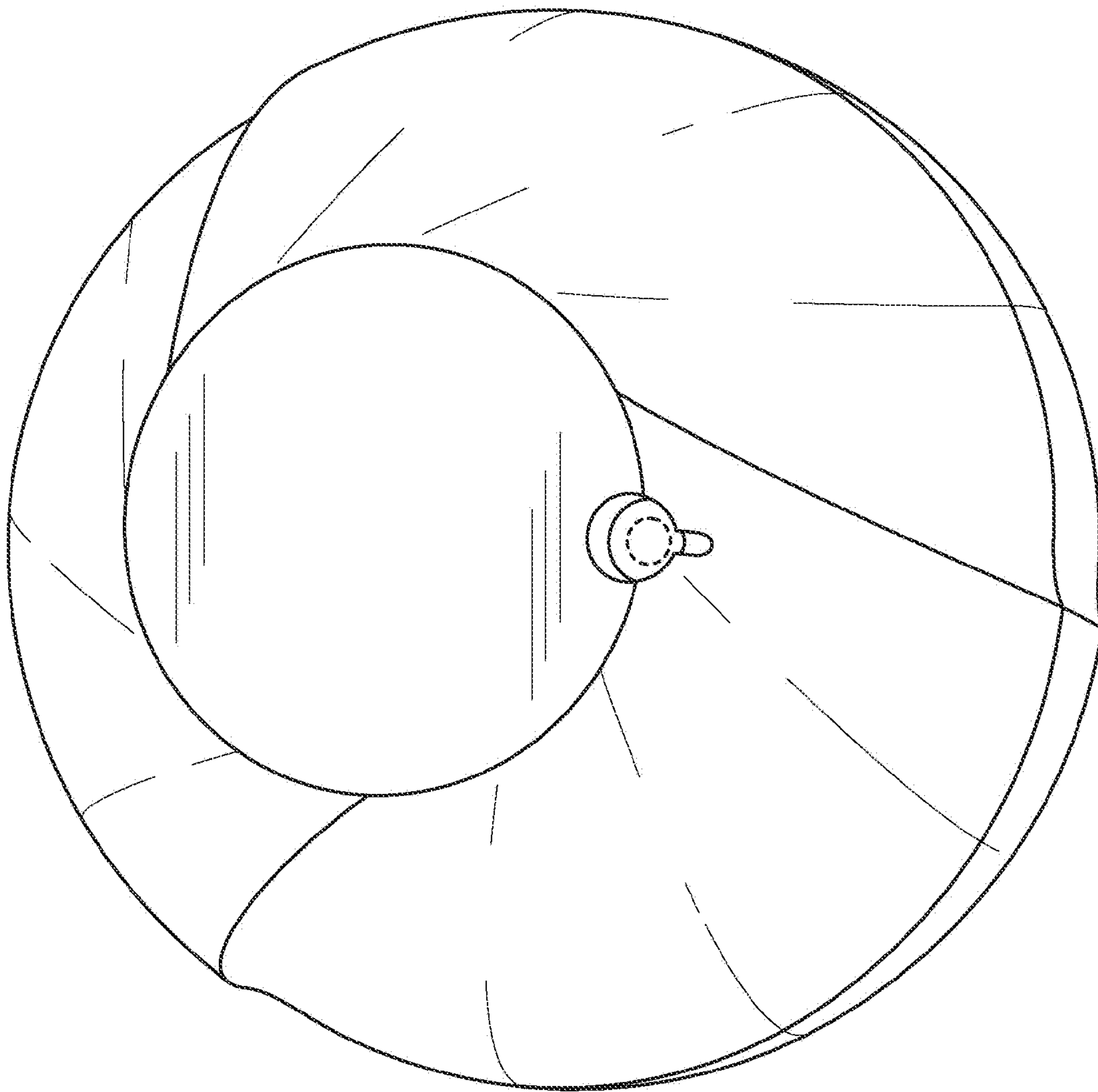


Fig. 8