



US00D954926S

(12) **United States Design Patent** (10) **Patent No.:** **US D954,926 S**  
**Lee** (45) **Date of Patent:** **\*\* Jun. 14, 2022**

(54) **AROMA DIFFUSER**

(56) **References Cited**

(71) Applicant: **PUZHEN LIFE CO., LTD**, Hong Kong (HK)

U.S. PATENT DOCUMENTS

(72) Inventor: **Andy Lee**, Hong Kong (HK)

D681,791 S *	5/2013	Jorgensen	.....	D23/366
D826,205 S *	8/2018	Langhammer	.....	D14/511
D886,079 S *	6/2020	Feng	.....	D14/216
D913,475 S *	3/2021	Wu	.....	D23/366
D916,267 S *	4/2021	Chen	.....	D23/366
D931,432 S *	9/2021	Baillie	.....	D23/356
D935,641 S *	11/2021	Zhou	.....	D24/231
D943,791 S *	2/2022	Wang	.....	D26/37
2016/0375168 A1 *	12/2016	Hsiao	.....	A61L 9/03 392/390

(73) Assignee: **PUZHEN LIFE CO., LTD**, Hong Kong (HK)

(\*\*) Term: **15 Years**

\* cited by examiner

(21) Appl. No.: **29/750,340**

*Primary Examiner* — Gino Colan  
*Assistant Examiner* — David OBrien

(22) Filed: **Sep. 14, 2020**

(30) **Foreign Application Priority Data**

(57) **CLAIM**

Aug. 20, 2020 (HK) ..... 2016680.3M003

(51) **LOC (13) Cl.** ..... **23-04**

The ornamental design for an aroma diffuser, as shown and described.

(52) **U.S. Cl.**

USPC ..... **D23/366**

**DESCRIPTION**

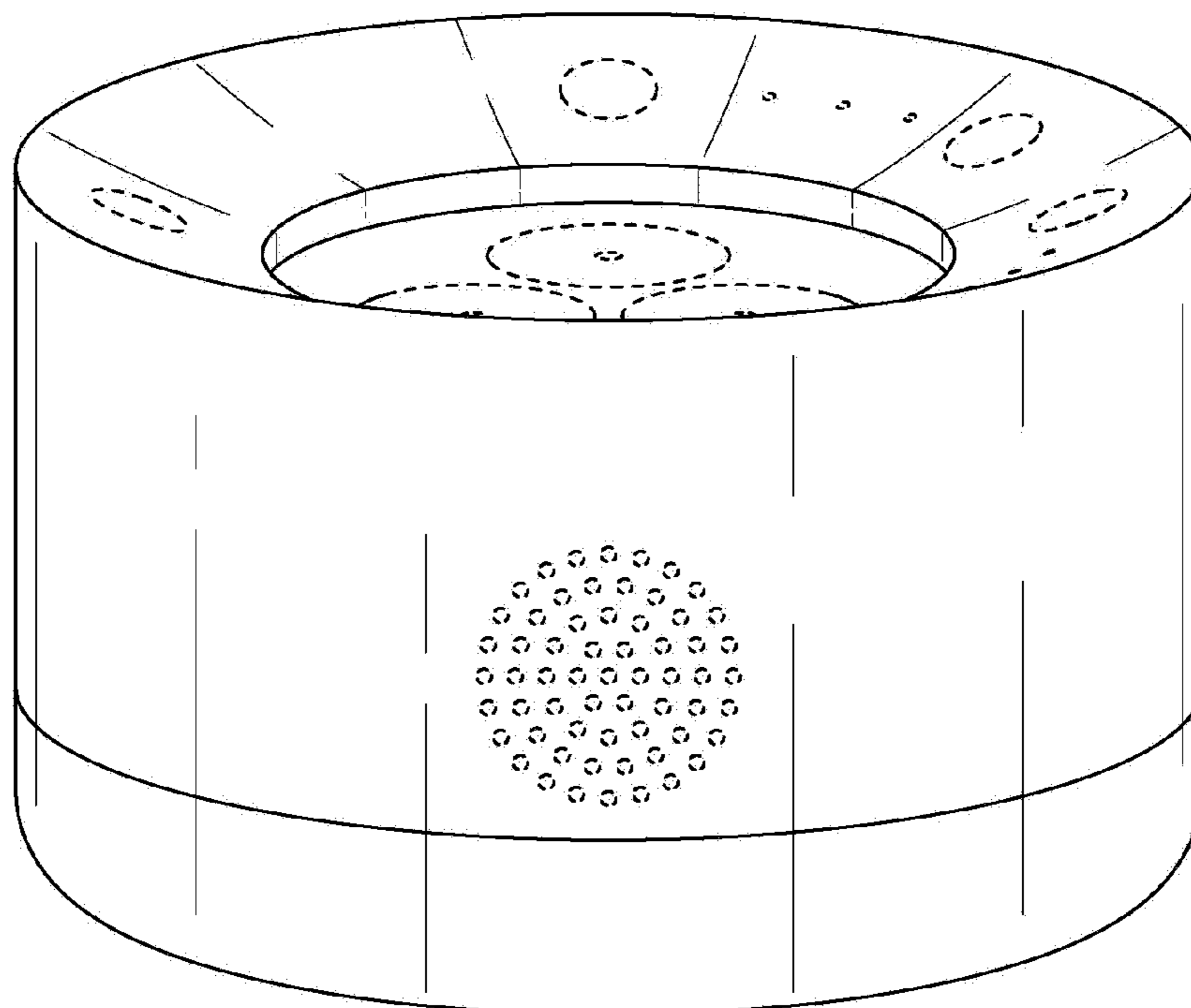
(58) **Field of Classification Search**

USPC ..... D23/332, 333, 351-369; D7/300.1, 506;  
D11/143, 146; D14/188, 194, 195, 197,  
D14/203.2, 203.6, 204, 209, 213, 215,  
D14/216, 221, 228, 496, 511; D32/30;  
D26/37, 40, 41, 49, 124, 128, 137;  
D24/231  
CPC ..... F24F 6/02; F24F 6/12; A61L 9/03; A61L  
9/04; A61L 9/05; A61L 9/12; A61L 9/14;  
A61L 9/012; A61L 9/015; A61L 9/048;  
A61L 9/127; Y10S 261/88; Y10S 261/89;  
A47G 7/06

FIG. 1 is a front elevational view of an aroma diffuser showing my new design;  
FIG. 2 is a rear elevational view thereof;  
FIG. 3 is a left side view thereof;  
FIG. 4 is a right side view thereof;  
FIG. 5 is a top plan view thereof;  
FIG. 6 is a bottom plan view thereof;  
FIG. 7 is a top and front perspective view thereof; and,  
FIG. 8 is a bottom and rear perspective view thereof.  
The broken lines in the drawings illustrate portions of the aroma diffuser which form no part of the claimed design.

See application file for complete search history.

**1 Claim, 8 Drawing Sheets**



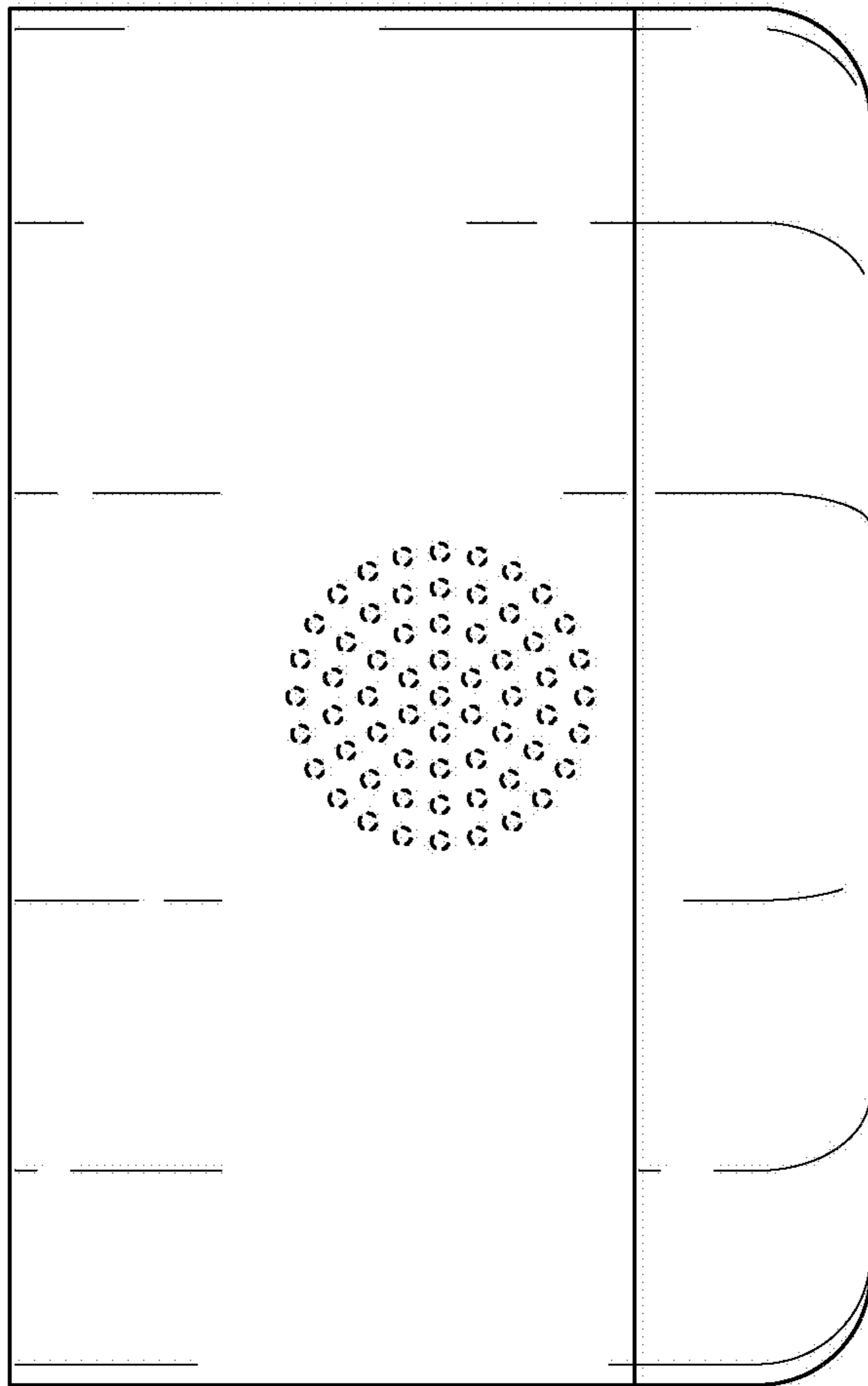


Fig. 1

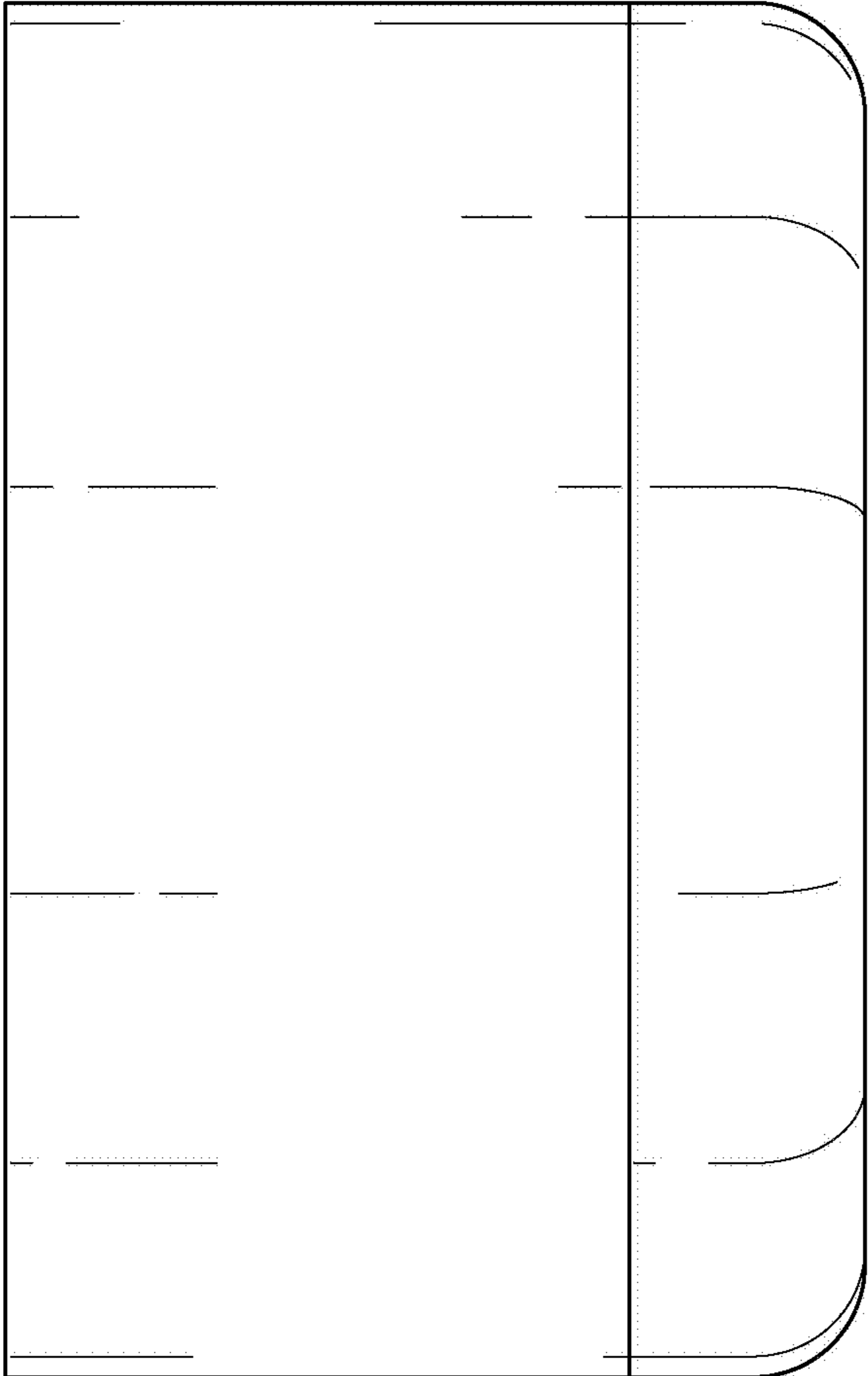


Fig. 2

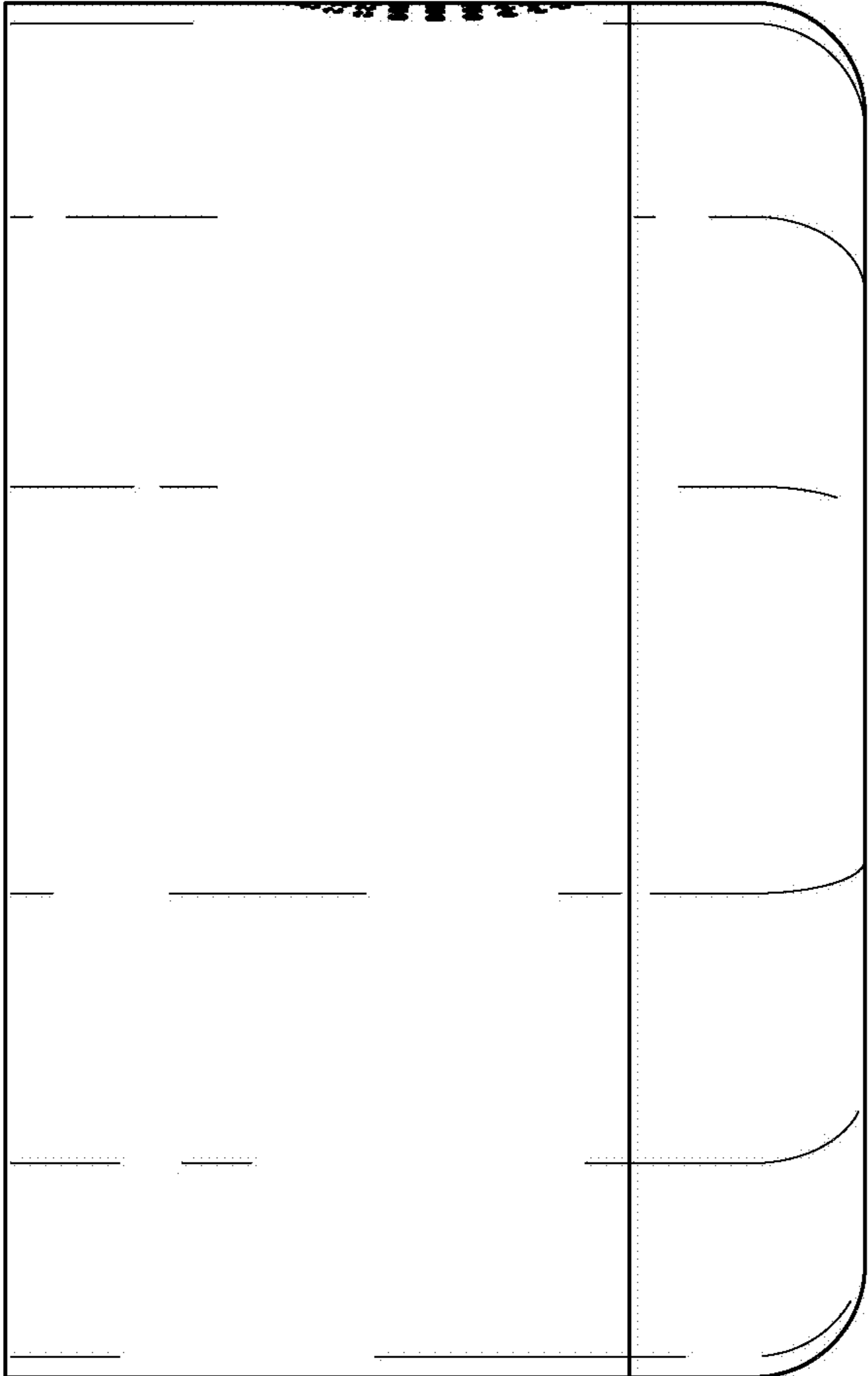


Fig. 3

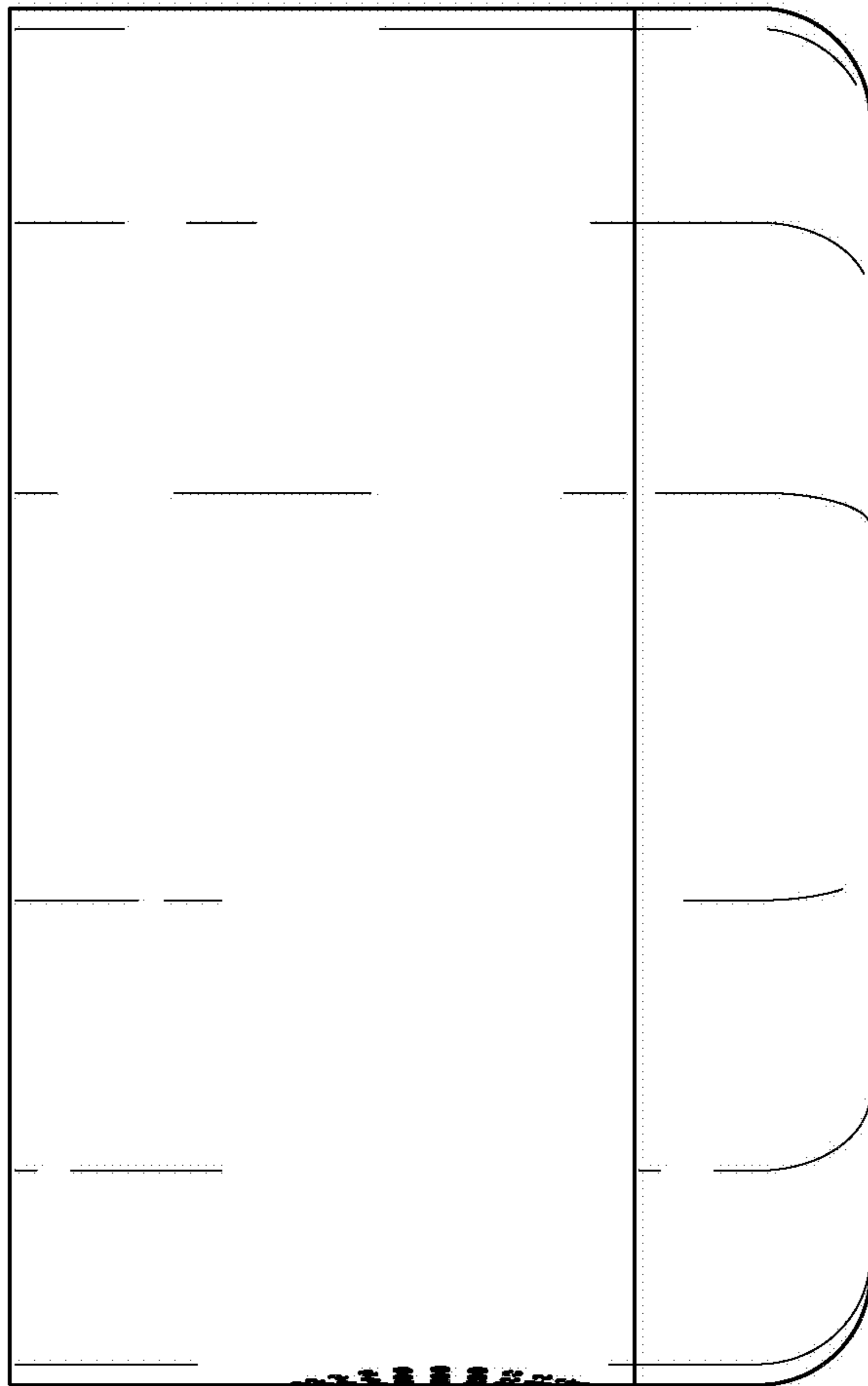


Fig. 4

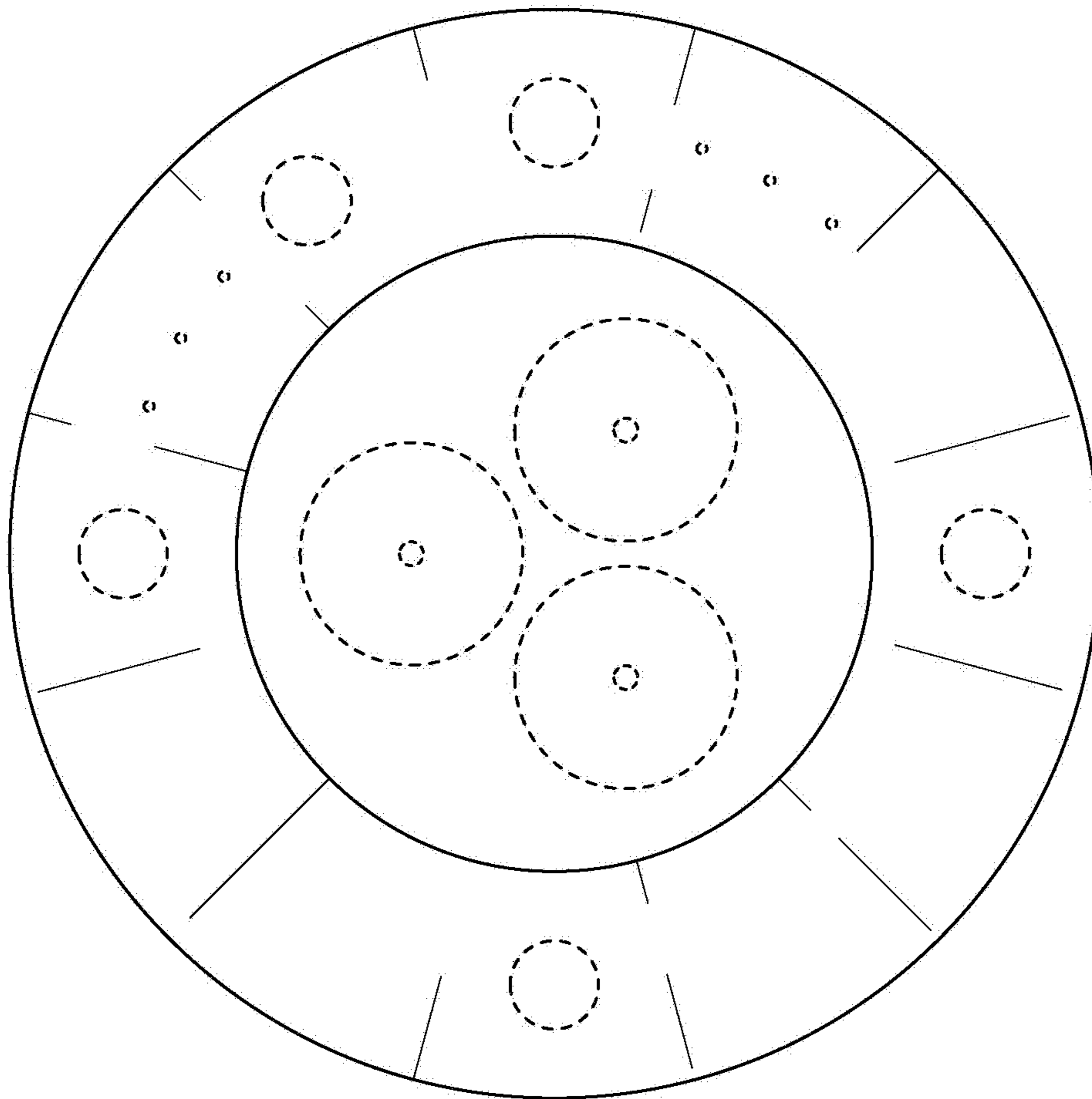


Fig. 5

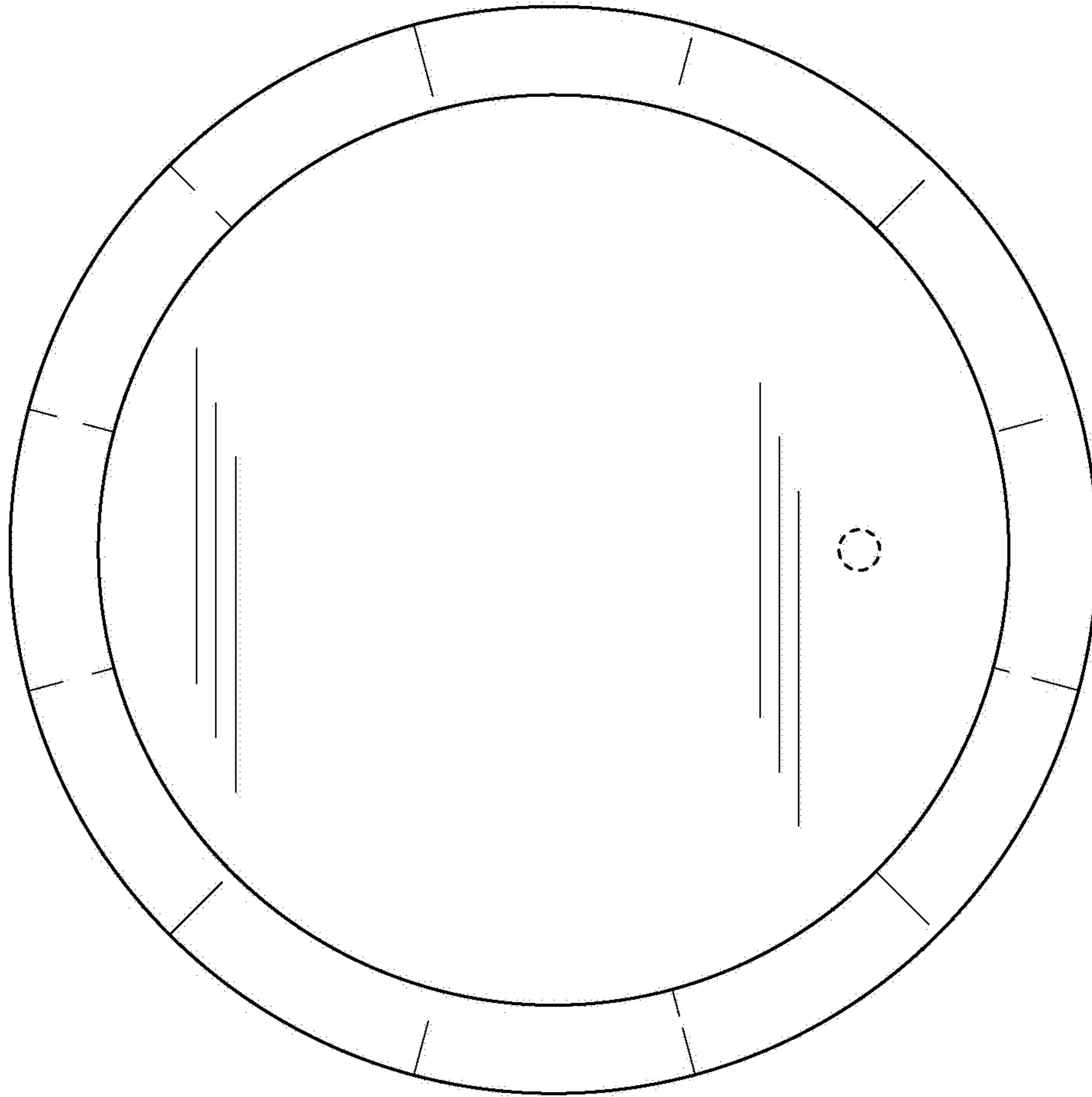


Fig. 6

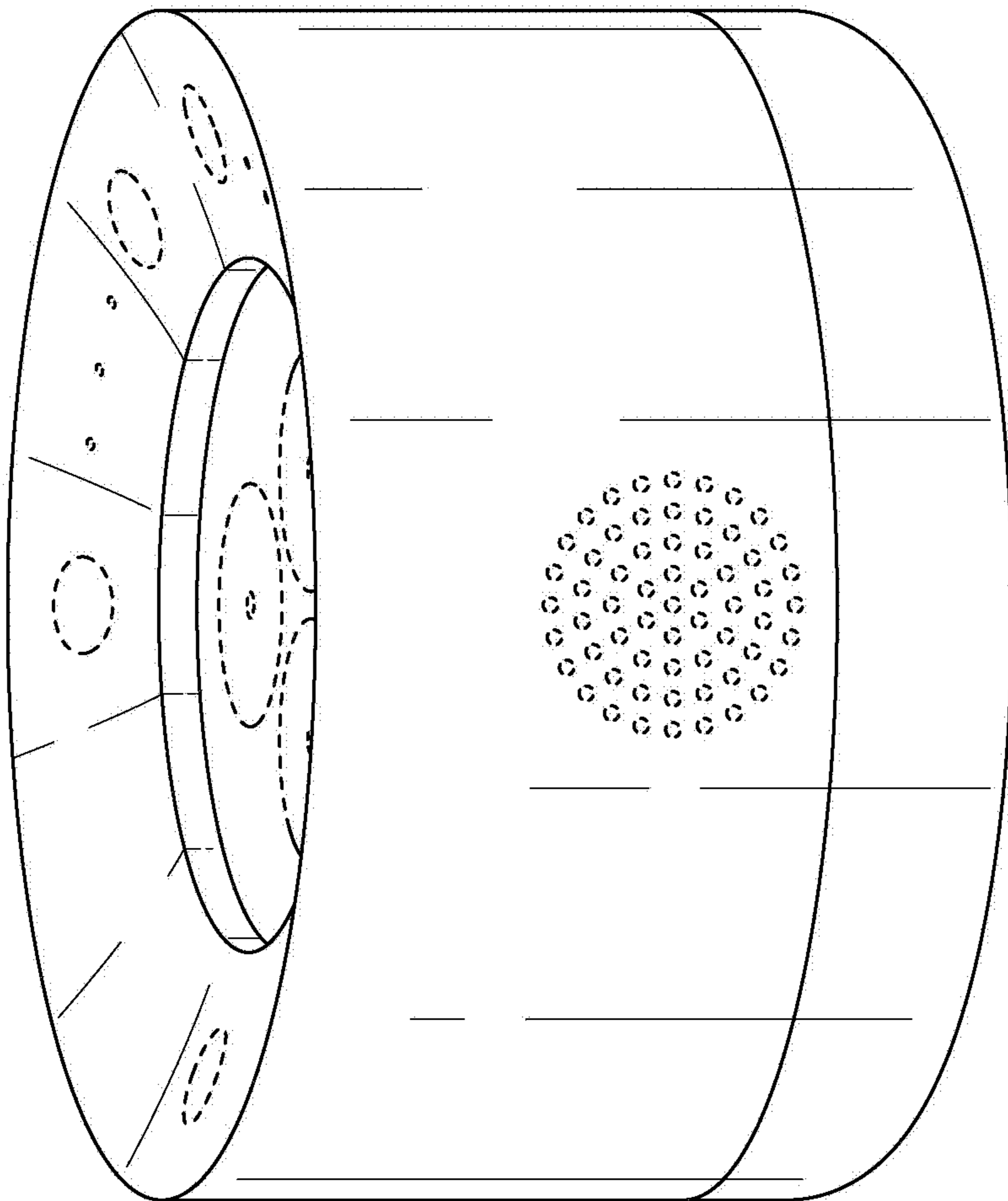


Fig. 7



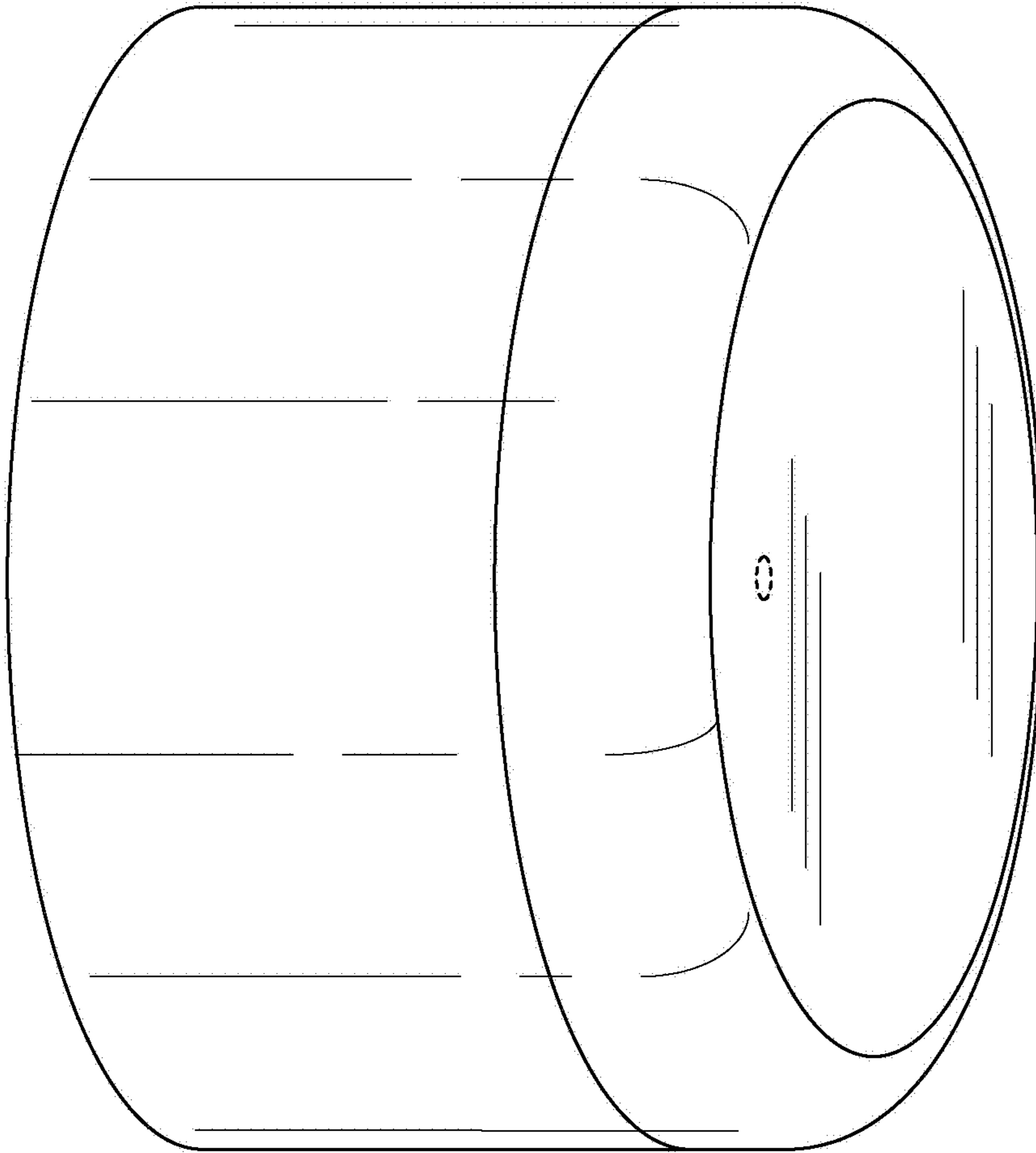


Fig. 8