



US00D954924S

(12) **United States Design Patent**  
**Sun**

(10) **Patent No.:** **US D954,924 S**  
(45) **Date of Patent:** **\*\* Jun. 14, 2022**

(54) **ATOMIZER**

FOREIGN PATENT DOCUMENTS

(71) Applicant: **Kewei Sun**, Shenzhen (CN)

CN 305393387 \* 10/2019

(72) Inventor: **Kewei Sun**, Shenzhen (CN)

CN 605435546 \* 11/2019

CN 305474105 \* 12/2019

CN 305604337 \* 2/2020

(\*\*) Term: **15 Years**

OTHER PUBLICATIONS

(21) Appl. No.: **29/780,463**

Portable Nebulizer; Amazon First Available Date Dec. 2, 2021; Visited Online Jan. 20, 2022; [https://www.amazon.com/dp/B09MW5BBF3/ref=sspa\\_dk\\_detail\\_2?pd\\_rd\\_w=hq0mD&pf\\_rd\\_p=54ed5474-54a8-4c7f-a88a-45f748d18166&pd\\_rd\\_wg=gil83&pf\\_rd\\_r=FZN3JP9JAE52XY17BM8R&pd\\_rd\\_r=623b1a65-b323-4308-bb76-00](https://www.amazon.com/dp/B09MW5BBF3/ref=sspa_dk_detail_2?pd_rd_w=hq0mD&pf_rd_p=54ed5474-54a8-4c7f-a88a-45f748d18166&pd_rd_wg=gil83&pf_rd_r=FZN3JP9JAE52XY17BM8R&pd_rd_r=623b1a65-b323-4308-bb76-00) (Year: 2021).\*

(22) Filed: **Apr. 24, 2021**

(51) **LOC (13) Cl.** ..... **23-04**

(52) **U.S. Cl.**  
USPC ..... **D23/360; D24/110**

(58) **Field of Classification Search**  
USPC ..... D24/110, 164–165; D23/355–356, 359, D23/360, 362–364, 366; D27/162  
CPC ..... A61M 16/14  
See application file for complete search history.

\* cited by examiner

*Primary Examiner* — Amy C Wierenga

(56) **References Cited**

(57) **CLAIM**

The ornamental design for an atomizer, as shown and described.

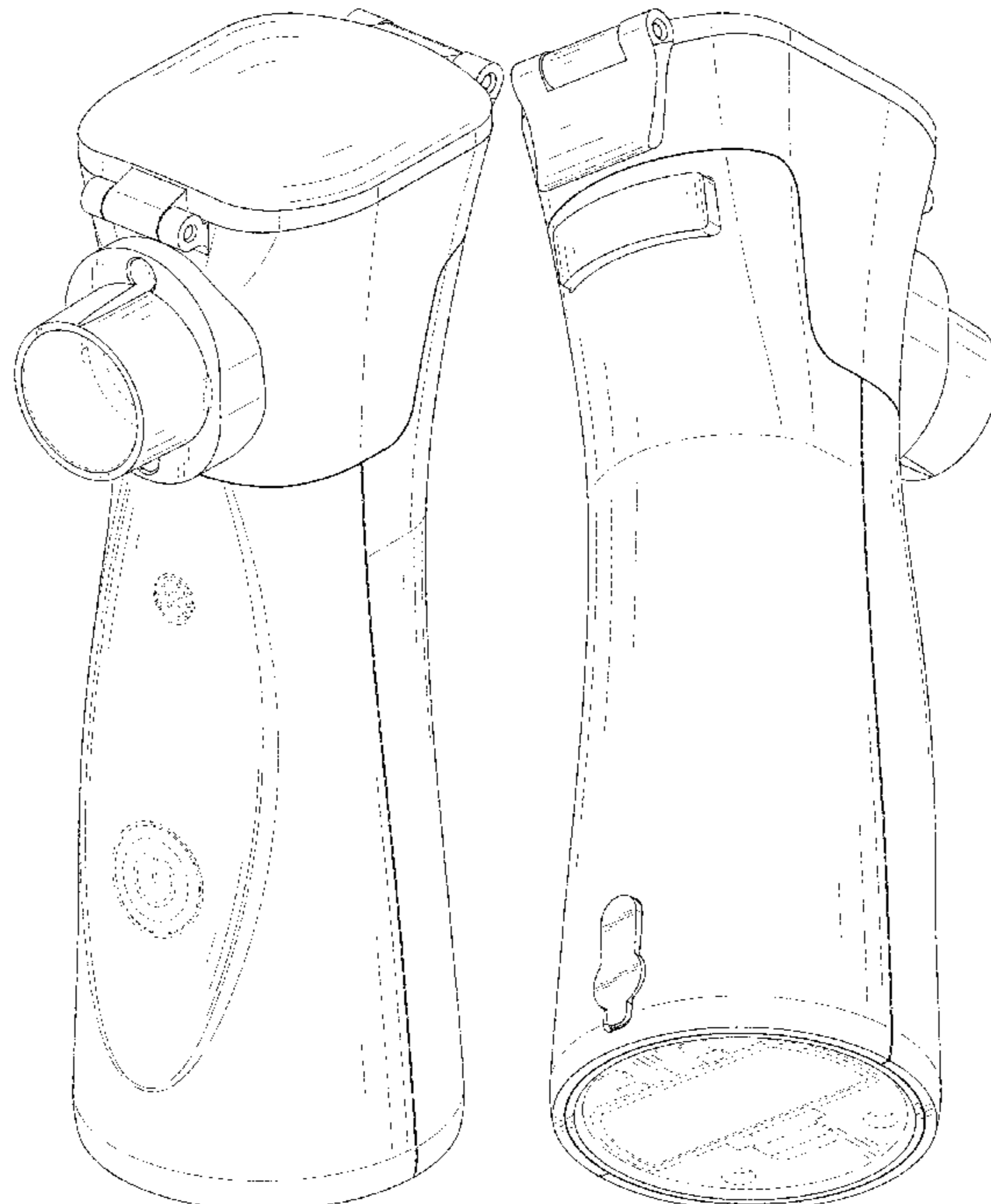
U.S. PATENT DOCUMENTS

**DESCRIPTION**

D526,709 S *	8/2006	Engelen	.....	D23/213
D655,402 S *	3/2012	Osorio	.....	D23/360
D753,282 S *	4/2016	Lee	.....	D24/100
D757,245 S *	5/2016	Lee	.....	D24/110
D771,798 S *	11/2016	Li	.....	D24/110
D831,184 S *	10/2018	Liang	.....	D23/366
D857,290 S	8/2019	Crowe	.....	
D886,278 S *	6/2020	Lin	.....	D24/110
D900,304 S *	10/2020	Xia	.....	D24/110
D910,824 S	2/2021	Zhao et al.	.....	
D910,909 S *	2/2021	Li	.....	D27/162
D919,779 S *	5/2021	Carra	.....	D23/356
2009/0114737 A1 *	5/2009	Yu	.....	B05B 17/0646 239/69
2016/0271343 A1 *	9/2016	Abate	.....	A61M 11/001
2019/0160234 A1 *	5/2019	Lefkowitz	.....	A61M 15/0086

FIG. 1 is a front top perspective view of an atomizer showing my new design;  
FIG. 2 is a rear bottom perspective view thereof;  
FIG. 3 is a front elevational view thereof;  
FIG. 4 is a rear elevational view thereof;  
FIG. 5 is a left side elevational view thereof;  
FIG. 6 is a right side elevational view thereof;  
FIG. 7 is a top plan view thereof; and,  
FIG. 8 is a bottom plan view thereof.  
The broken lines in the drawings depict portions of the atomizer that form no part of the claimed design.

**1 Claim, 8 Drawing Sheets**



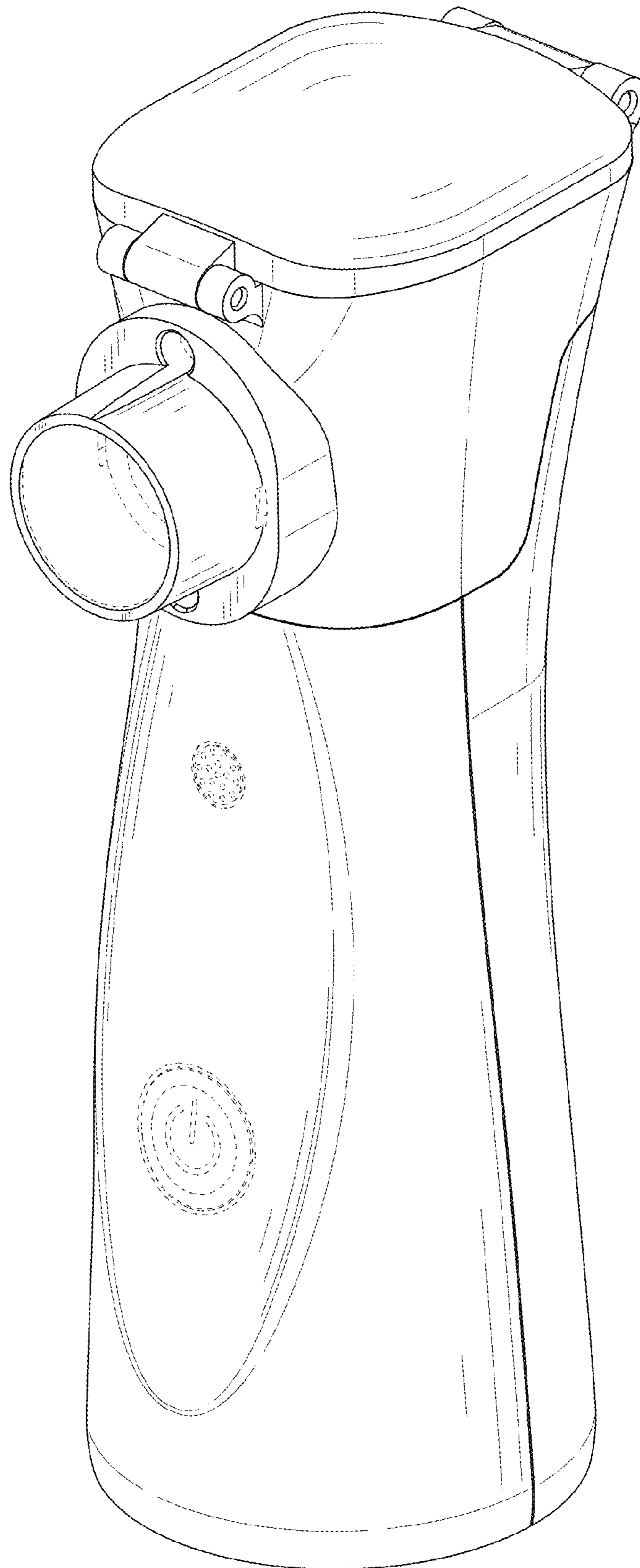


FIG. 1

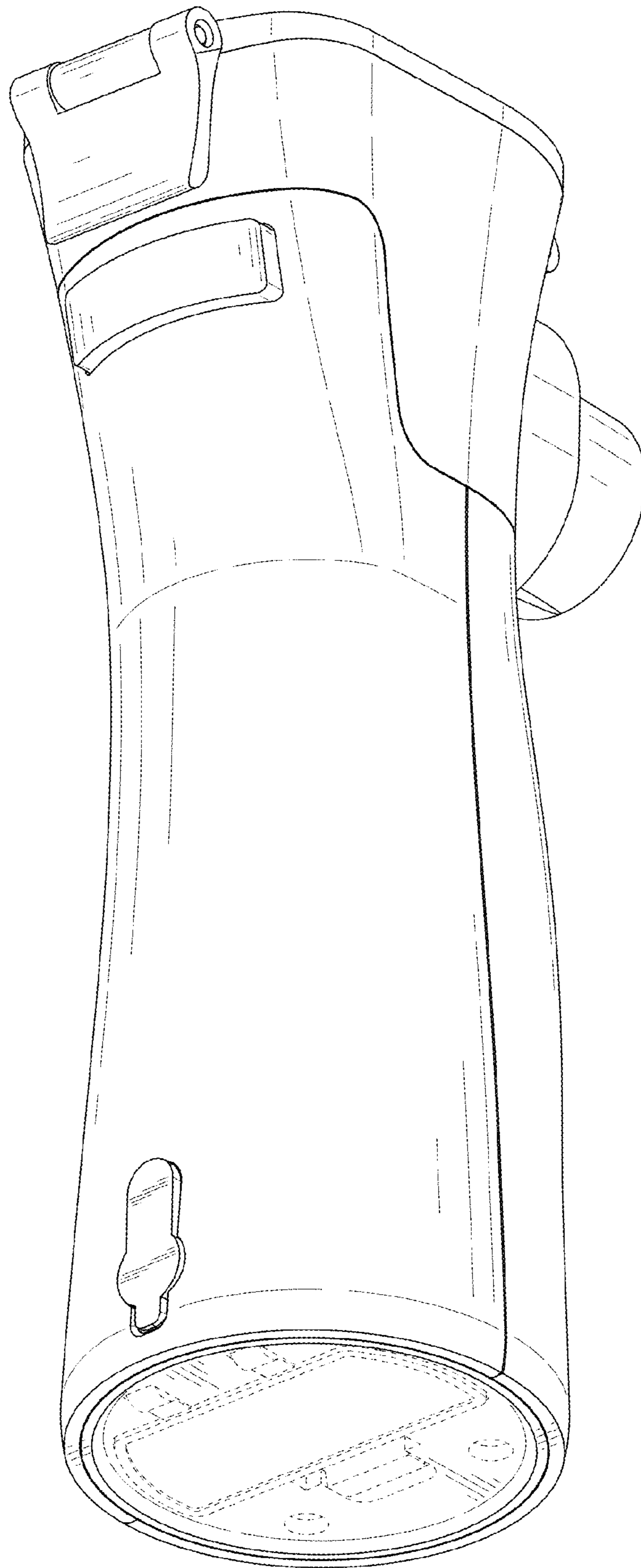


FIG. 2

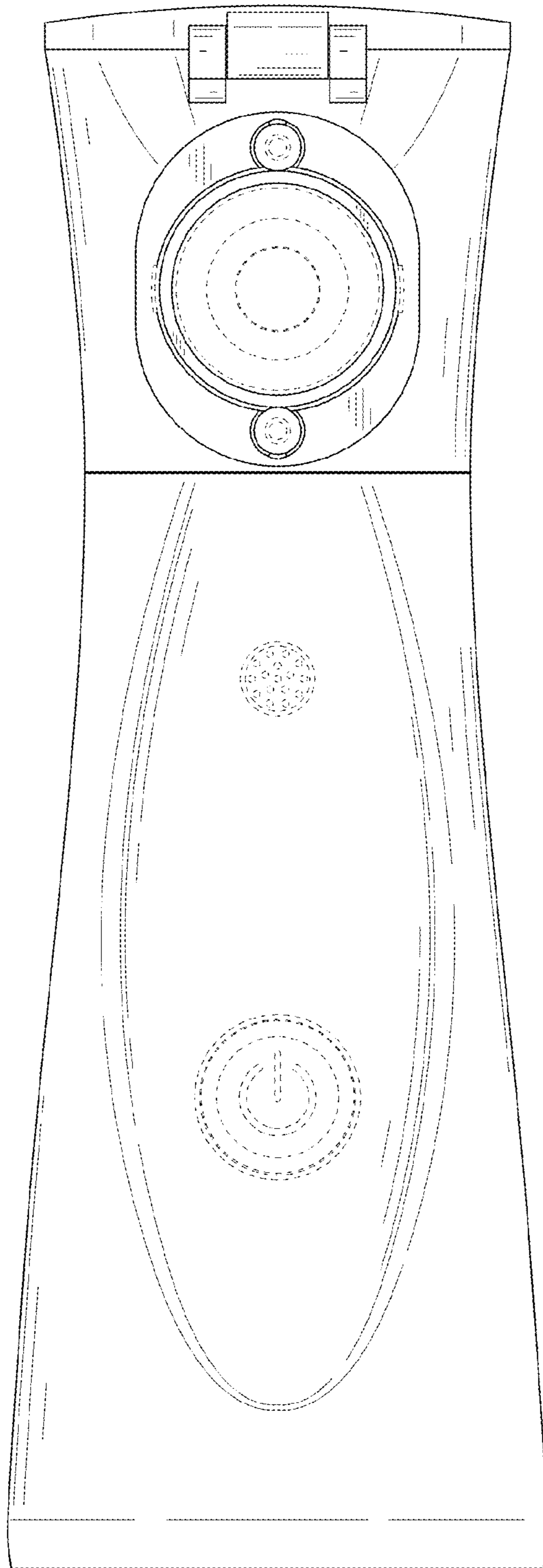


FIG. 3

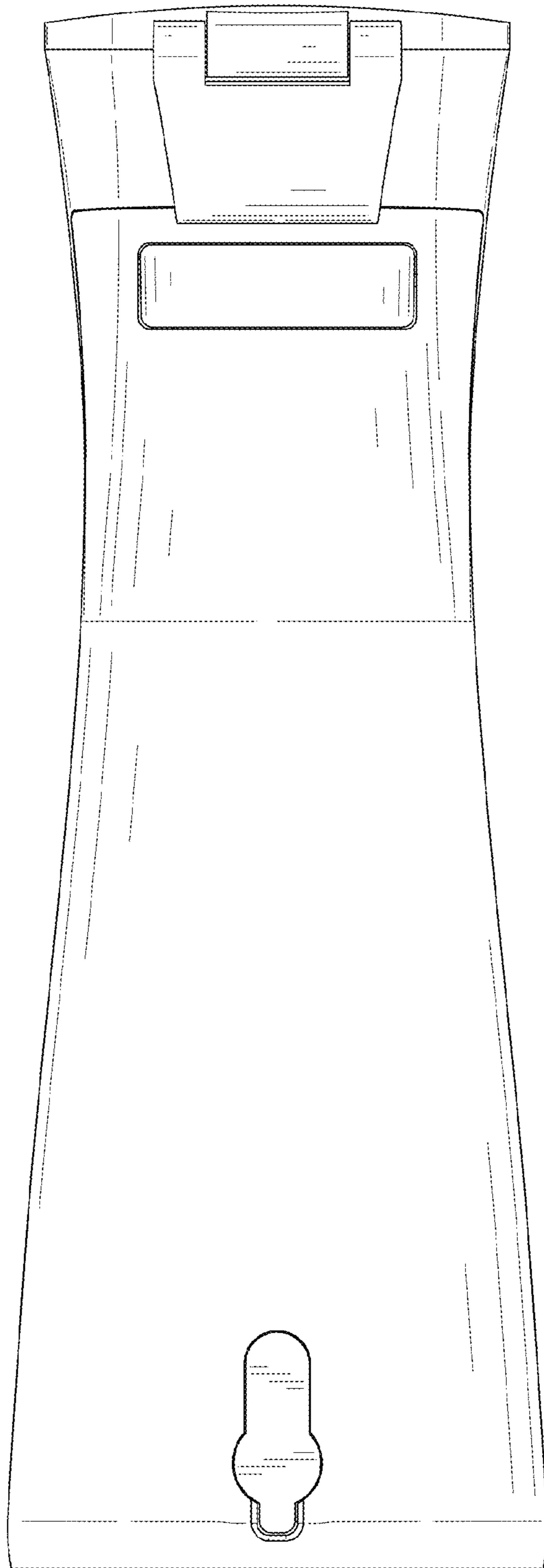


FIG. 4

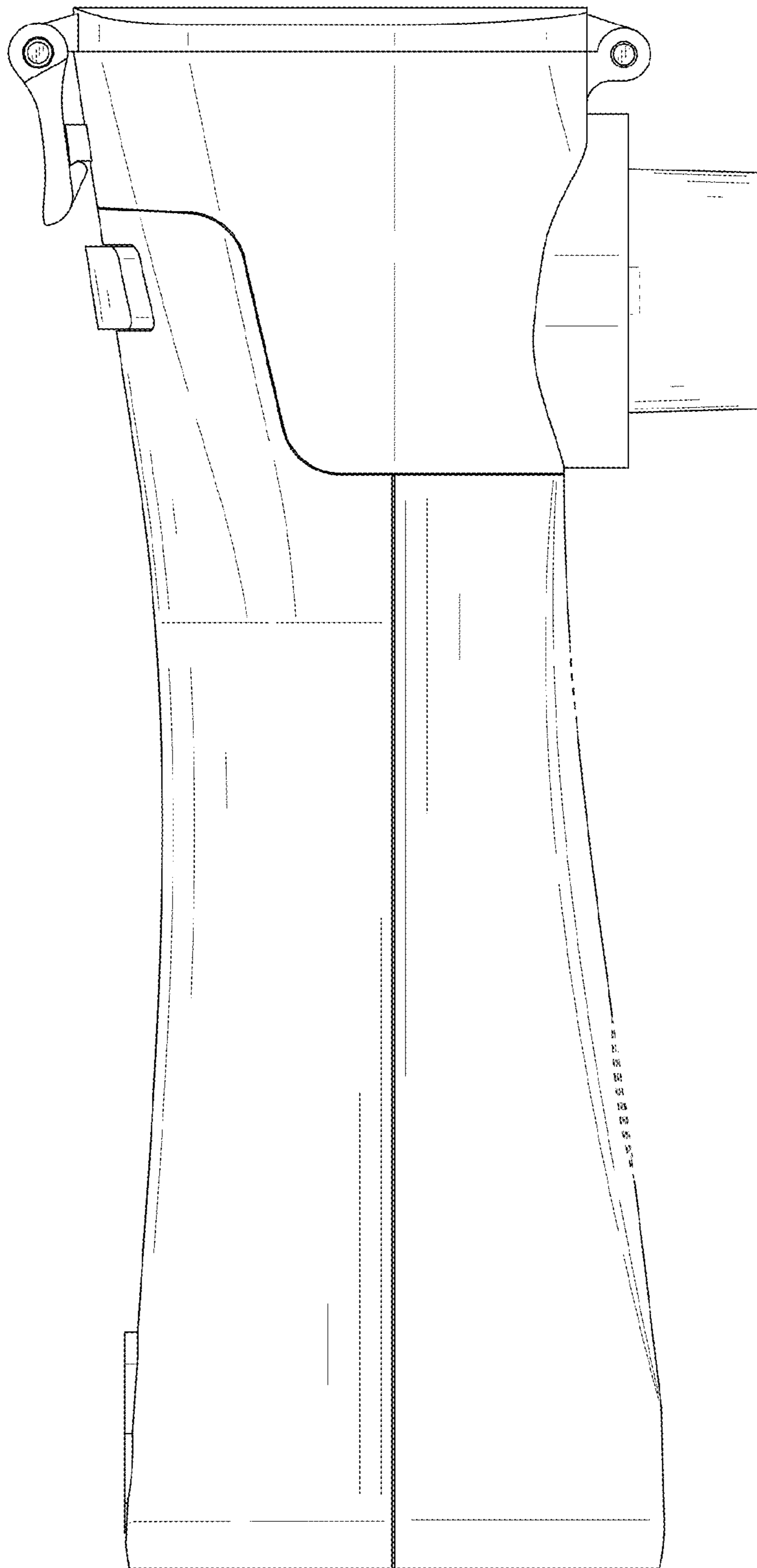


FIG. 5

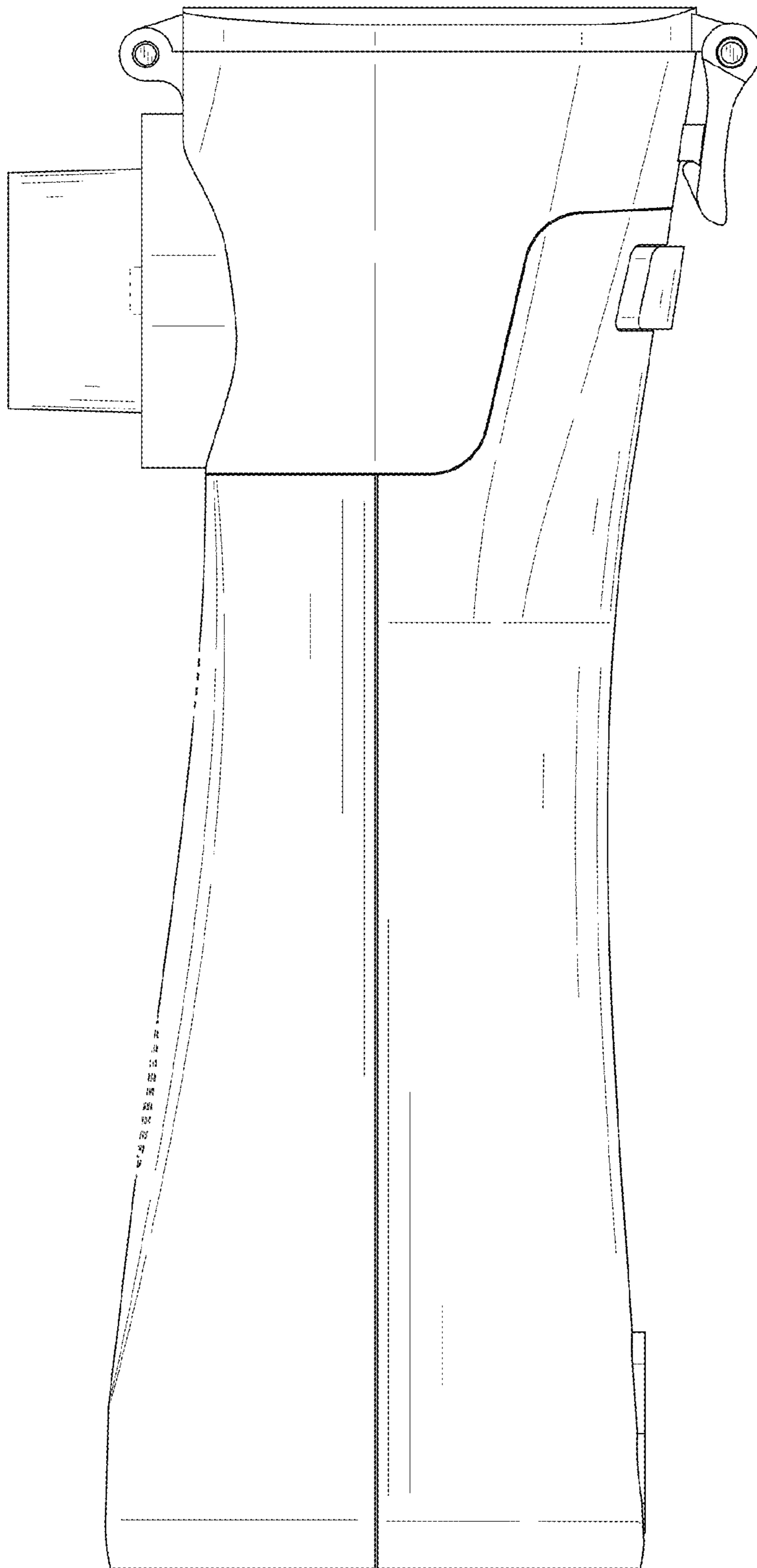


FIG. 6

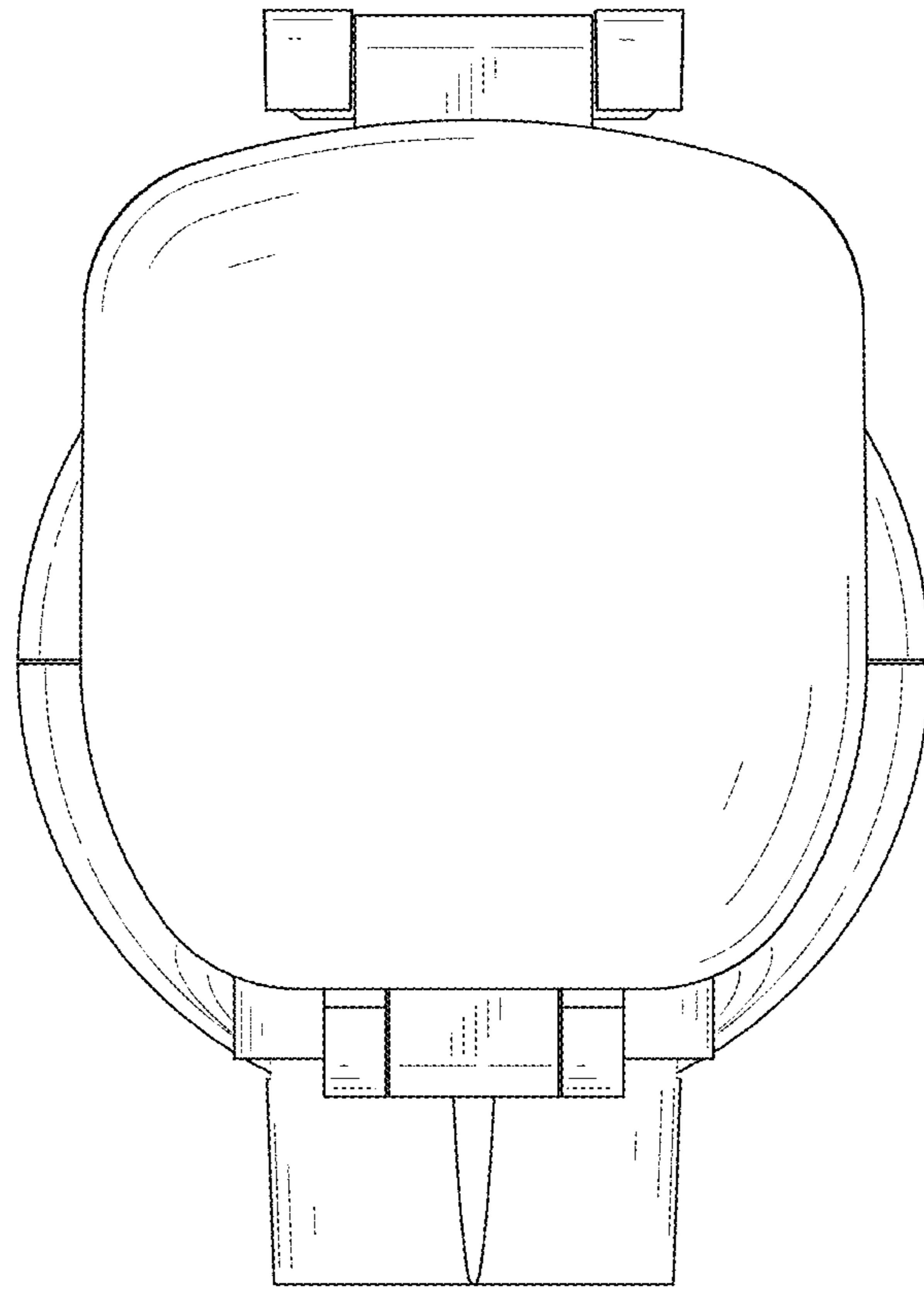


FIG. 7



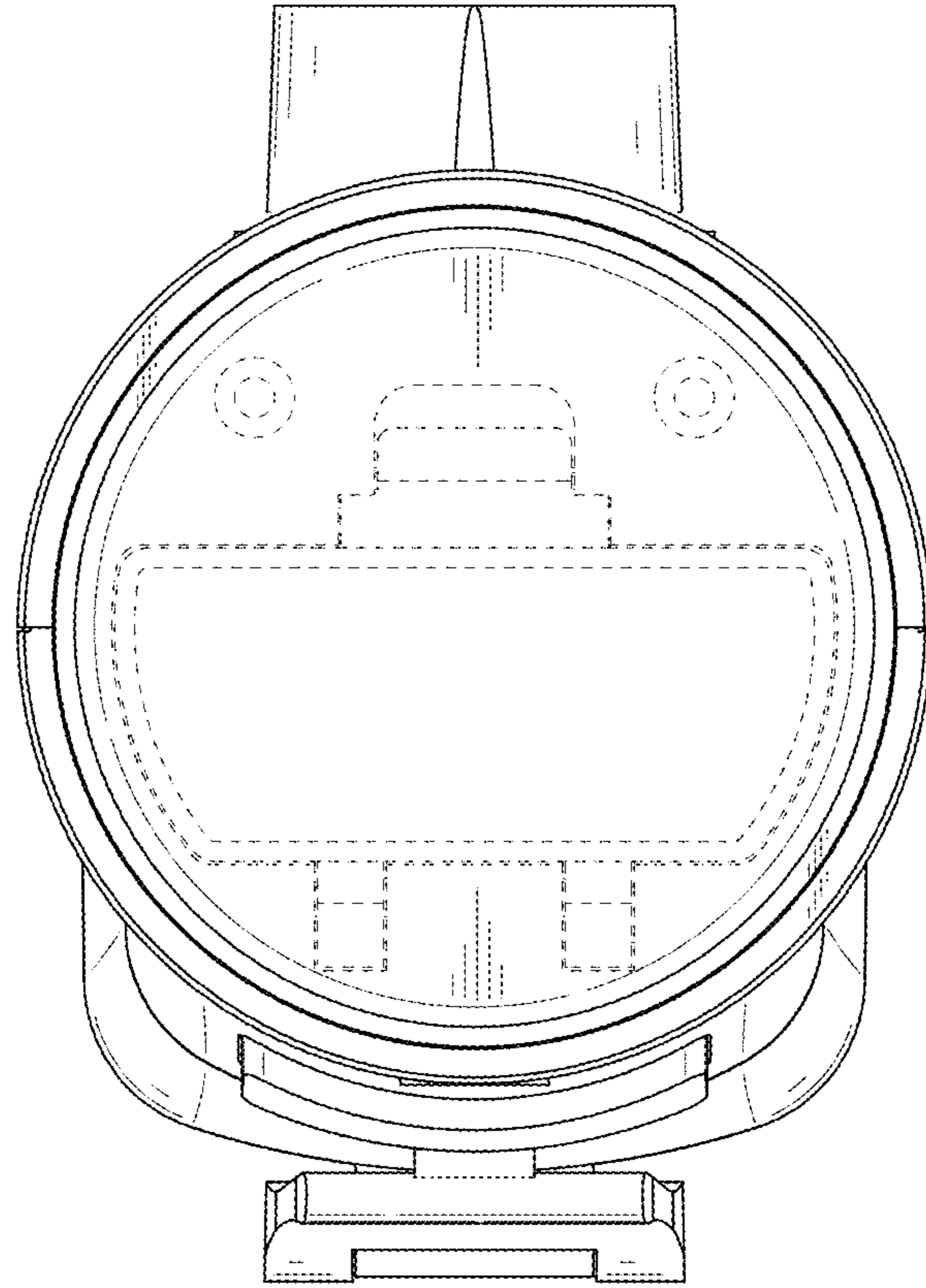


FIG. 8