



US00D954922S

(12) **United States Design Patent** (10) **Patent No.:** **US D954,922 S**
Bermúdez et al. (45) **Date of Patent:** **** Jun. 14, 2022**

(54) **DRY HYDROGEN PEROXIDE (DHP) GENERATING DEVICE**

(71) Applicant: **Synexis LLC**, Overland Park, KS (US)

(72) Inventors: **Pedro J. Bermúdez**, Olathe, KS (US);
Stefan Grobe, Waldenbuch (DE)

(73) Assignee: **SYNEXIS LLC**, Lenexa, KS (US)

(**) Term: **15 Years**

(21) Appl. No.: **29/722,751**

(22) Filed: **Jan. 31, 2020**

(51) **LOC (13) Cl.** **23-04**

(52) **U.S. Cl.**
USPC **D23/355**

(58) **Field of Classification Search**
USPC D23/332-333, 335, 352, 355-365, 369,
D23/213; D24/124, 184, 217
CPC A62B 21/00; B01D 46/0002; B01D 46/10;
F02M 35/04; F24F 13/20
See application file for complete search history.

(56) **References Cited**

U.S. PATENT DOCUMENTS

D327,315 S *	6/1992	Pelonis	D23/355
D374,071 S *	9/1996	Wang	D23/332
D395,494 S *	6/1998	Becker	D23/366
D396,279 S *	7/1998	Ediger	D23/332
D397,430 S *	8/1998	Ediger	D23/332
D413,660 S *	9/1999	Lee	D23/332
D421,114 S *	2/2000	Lozzio	D23/332

D688,781 S *	8/2013	Vallinan	D23/355
D807,483 S *	1/2018	Combs	D23/364
D858,728 S *	9/2019	Meng	D23/335
D865,146 S *	10/2019	Meng	D23/335
D882,743 S *	4/2020	Yang	D23/333
D885,540 S *	5/2020	Meng	D23/335

* cited by examiner

Primary Examiner — Karen S Acker

Assistant Examiner — Jonathan E Fiencke

(74) *Attorney, Agent, or Firm* — McBee Moore & Vanik
IP, LLC; Susan McBee; Chester Moore

(57) **CLAIM**

The ornamental design for dry hydrogen peroxide (DHP) generating device, as shown and described.

DESCRIPTION

FIG. 1 is a perspective view of the dry hydrogen peroxide (DHP) generating device of the present application.

FIG. 2 is a front view thereof.

FIG. 3 is a back view thereof.

FIG. 4 is a left side view thereof.

FIG. 5 is a right side view thereof.

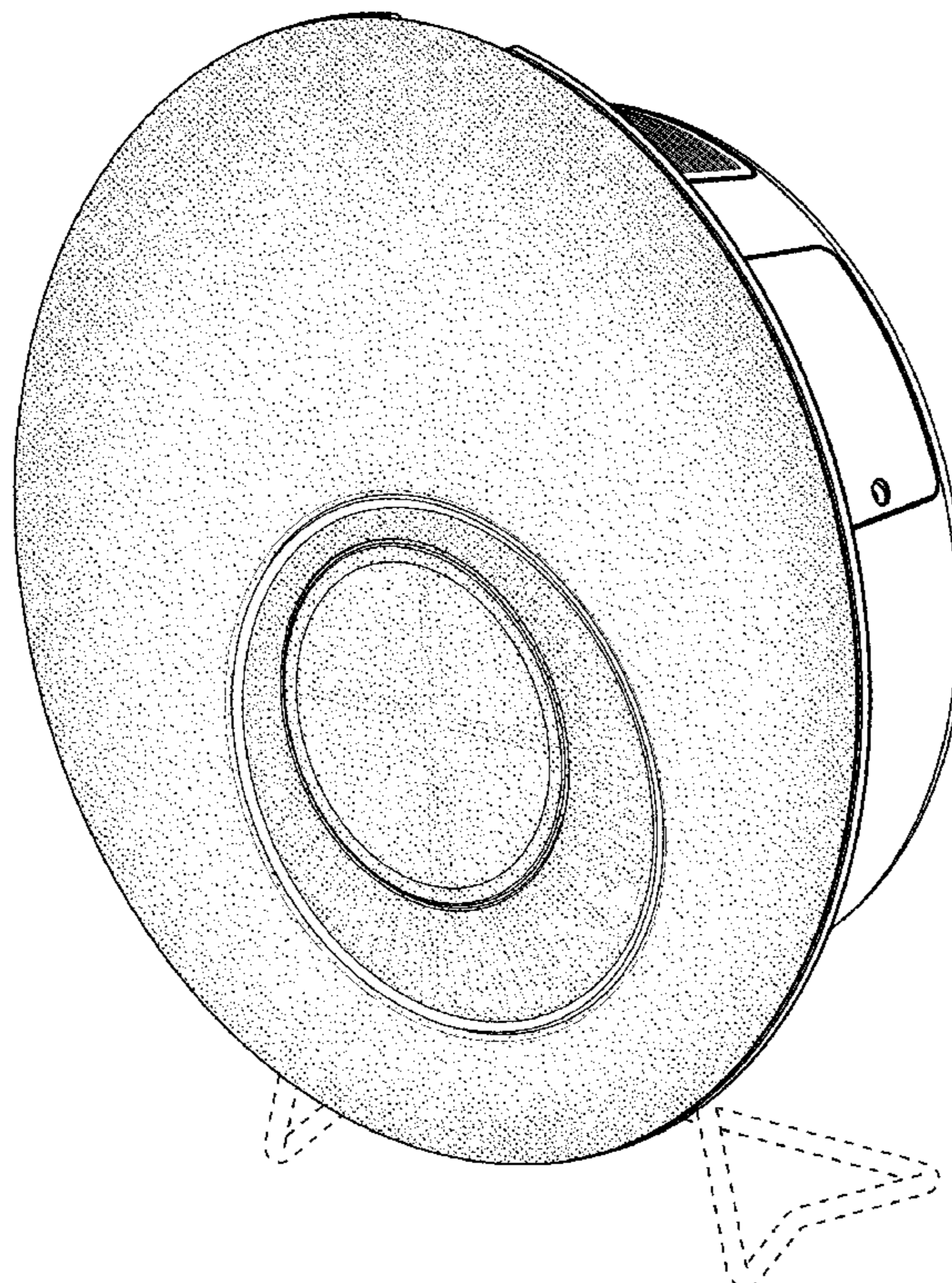
FIG. 6 is a top view thereof; and,

FIG. 7 is bottom view thereof.

The broken lines and unshaded areas within them depict portions of the dry hydrogen peroxide (DHP) generating device that form no part of the claimed design.

In the intended use of the article, the position and orientation of the Dry Hydrogen Peroxide (DHP) generating device may vary.

1 Claim, 7 Drawing Sheets



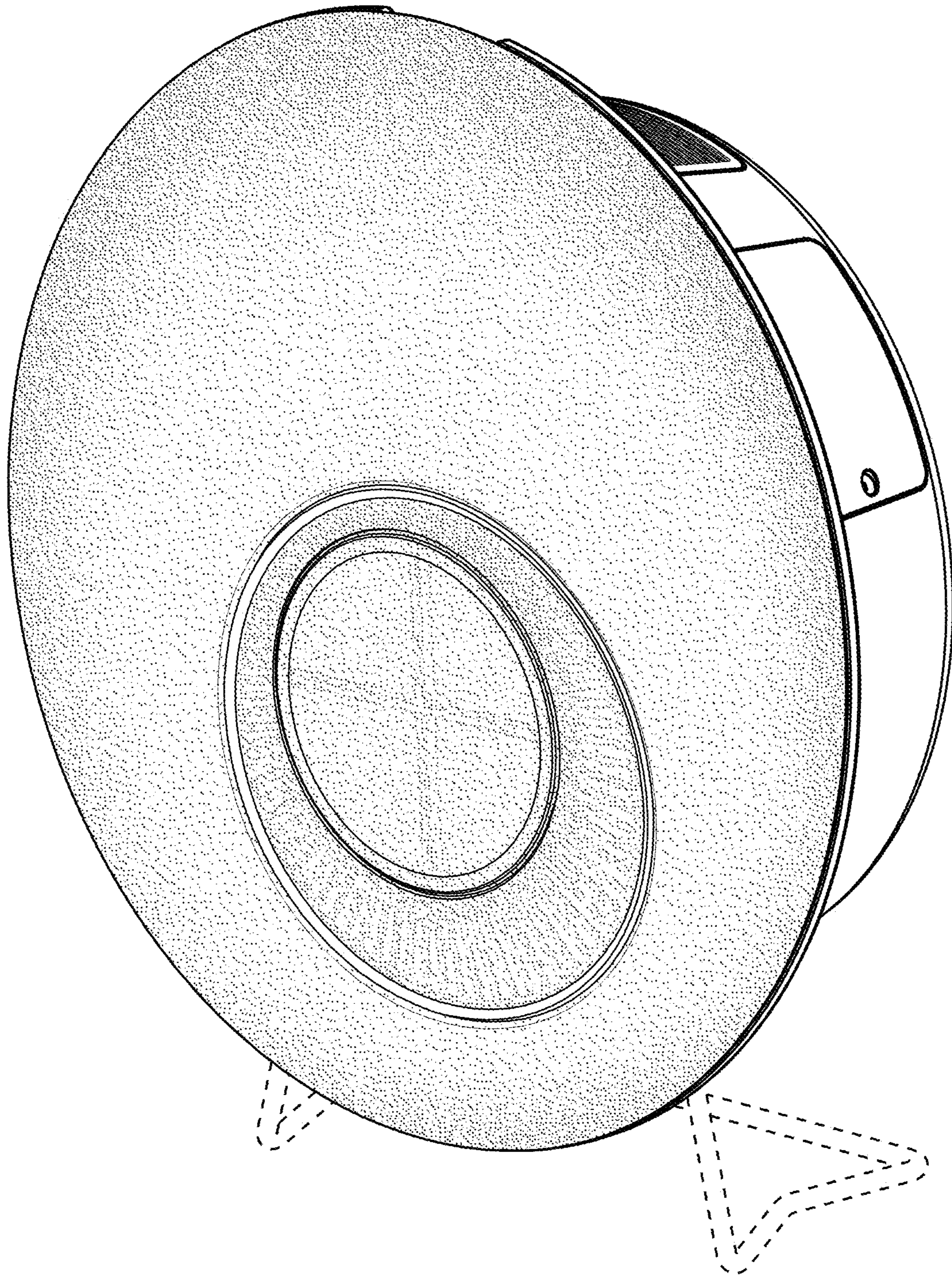


FIG. 1

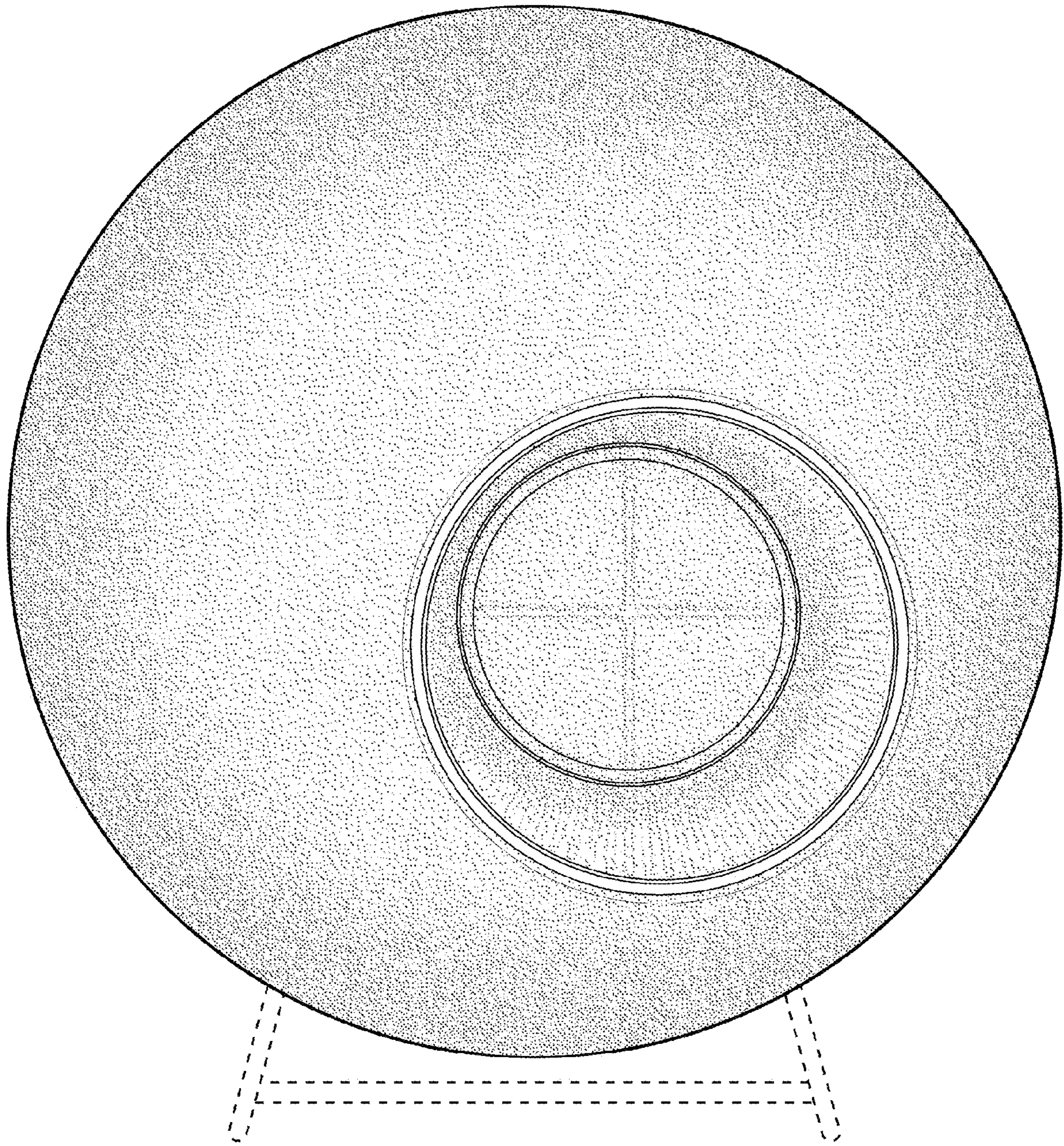


FIG. 2

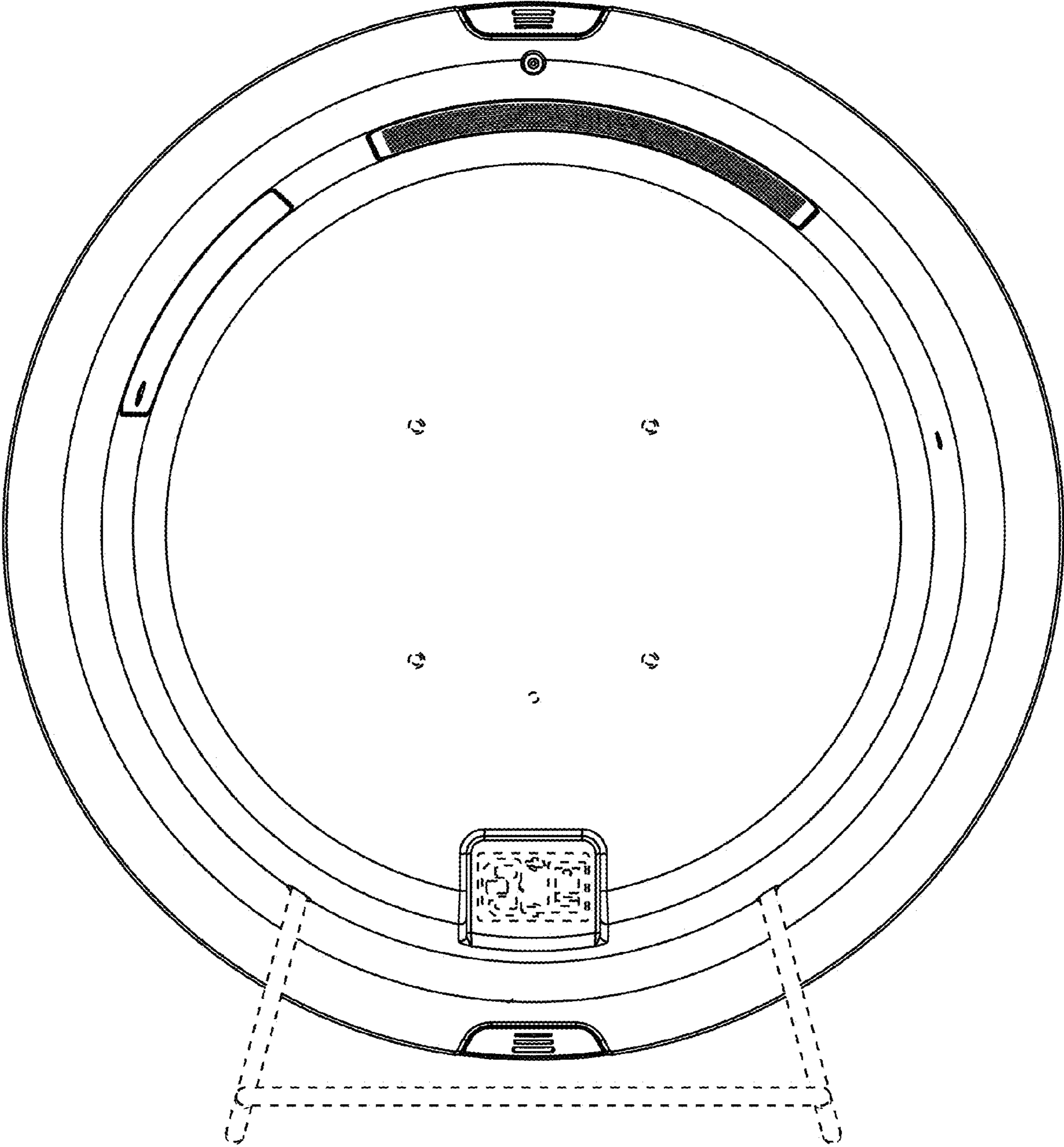


FIG. 3

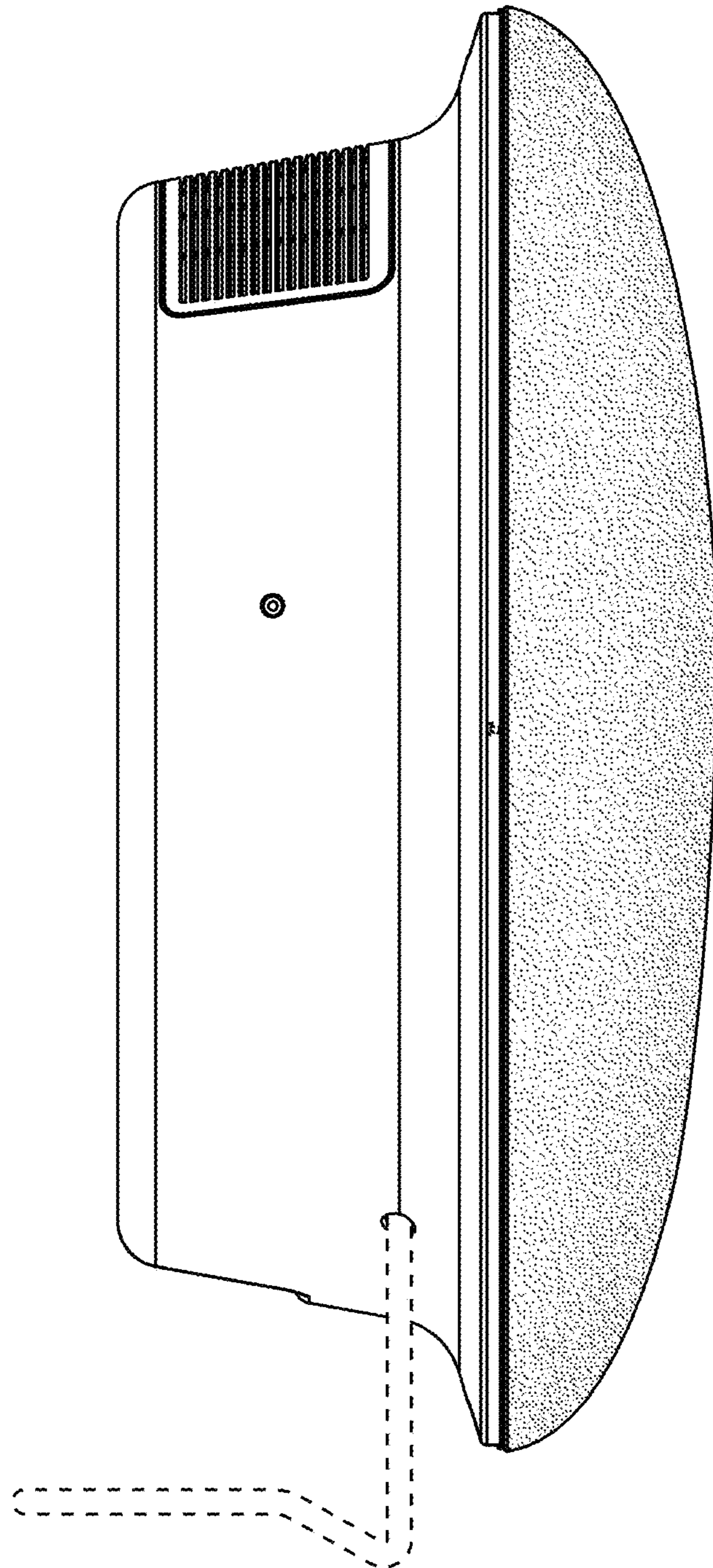


FIG. 4

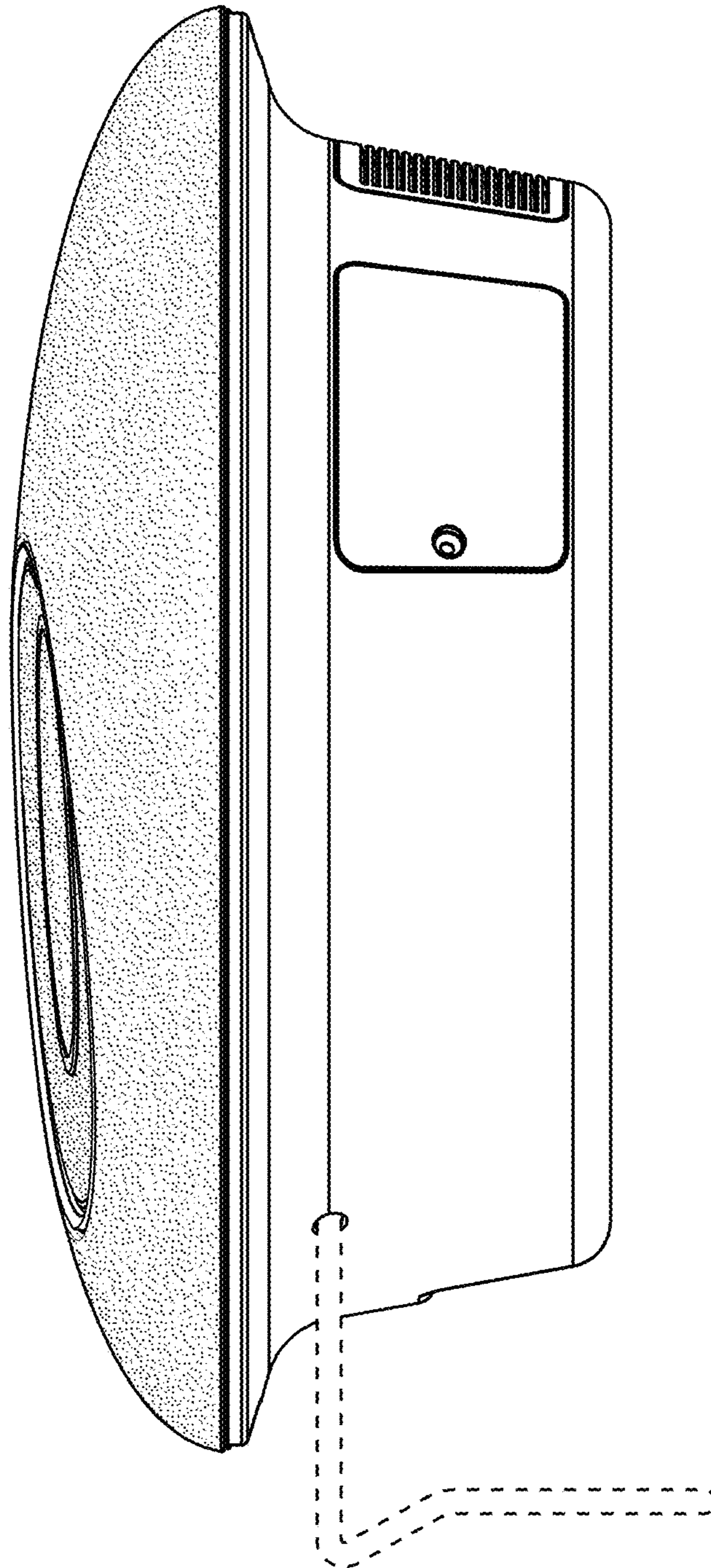


FIG. 5

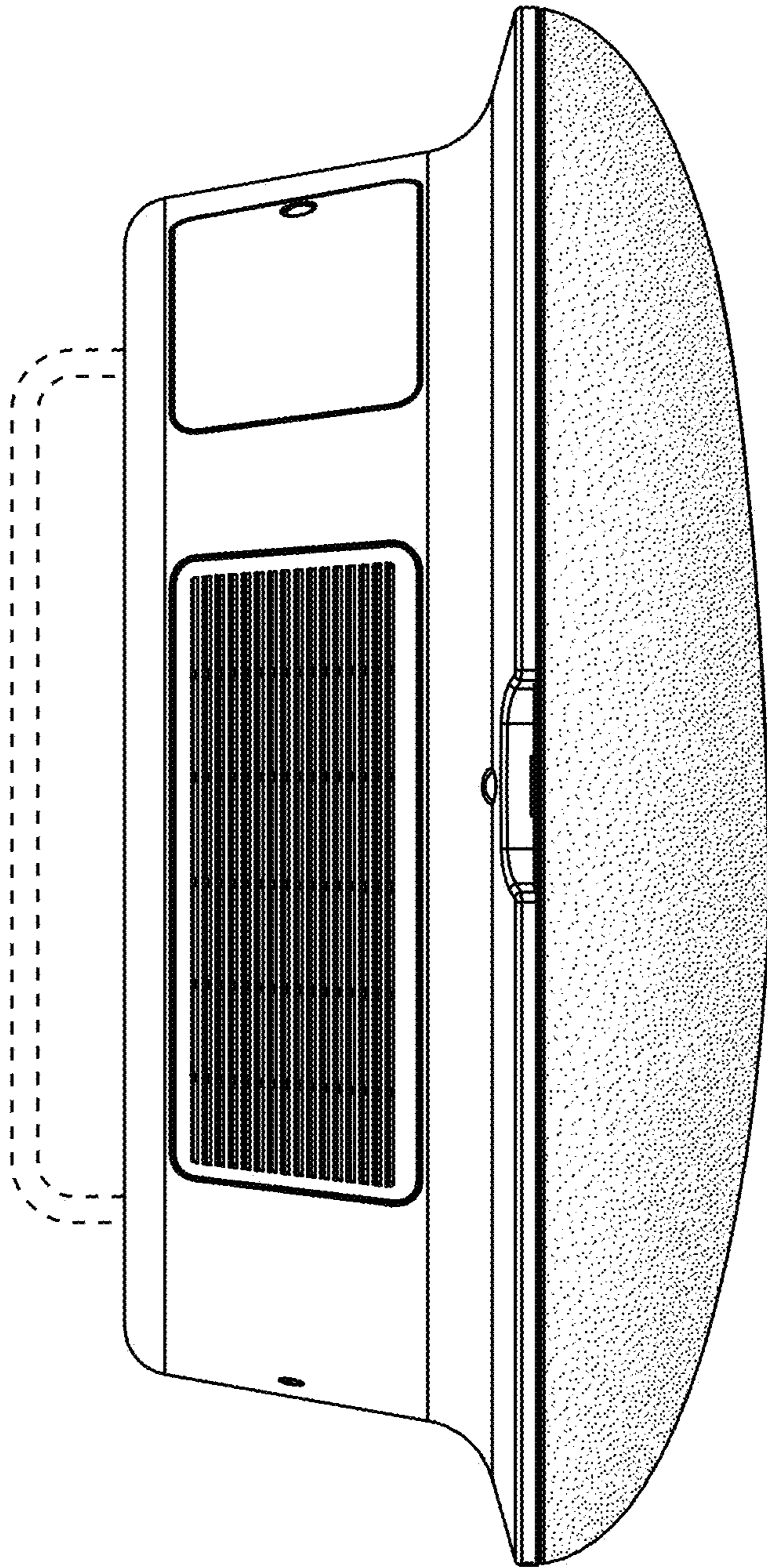


FIG. 6

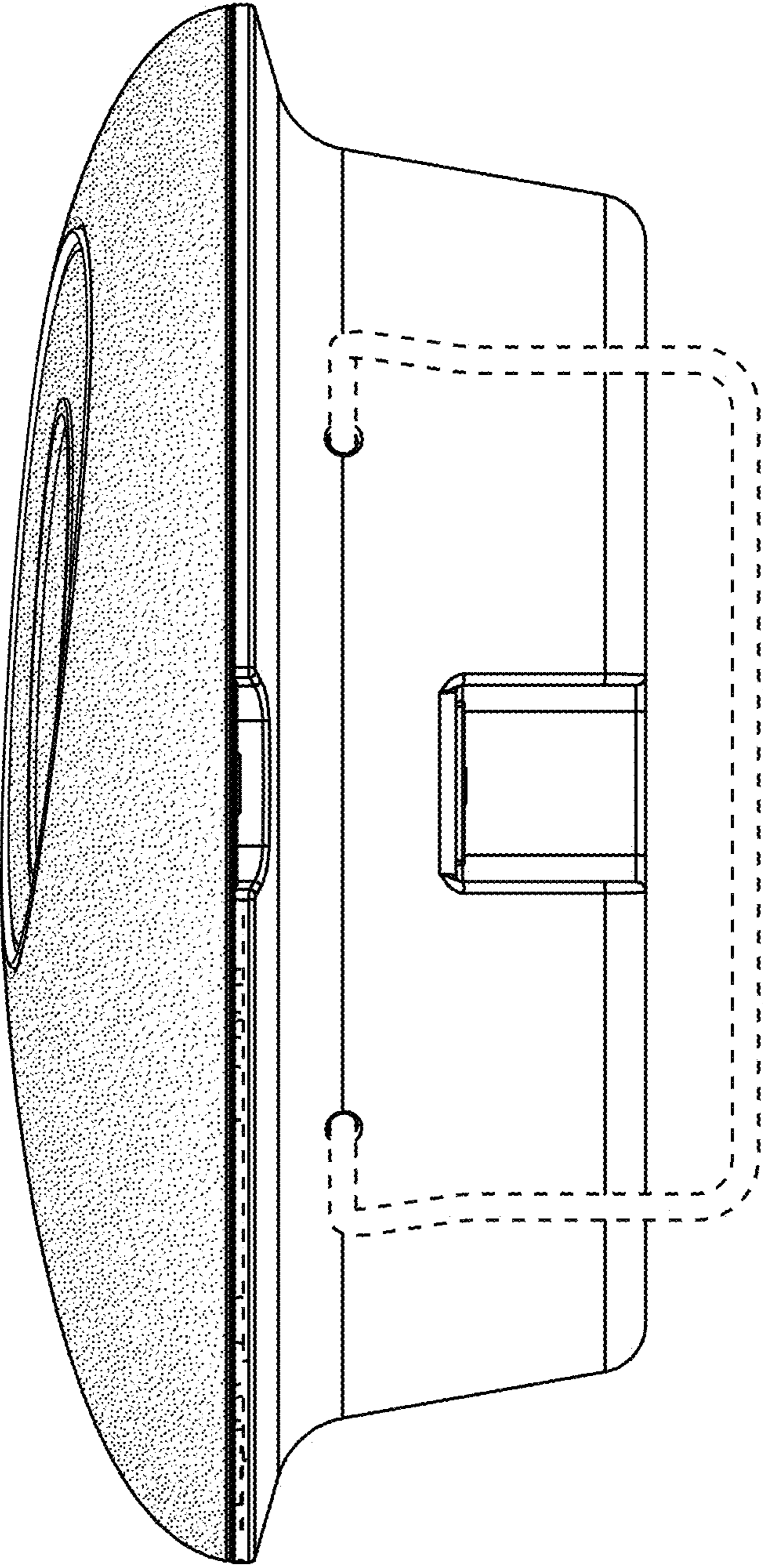


FIG. 7