



US00D954921S

(12) **United States Design Patent** (10) **Patent No.:** **US D954,921 S**  
**Stoltzfus et al.** (45) **Date of Patent:** **\*\* Jun. 14, 2022**

- (54) **AIR INLET ASSEMBLY FOR FIRE PIT**
- (71) Applicant: **Breeo, LLC**, Kinzers, PA (US)
- (72) Inventors: **Amos A. Stoltzfus**, Gordonville, PA (US); **Jonathan C. Miller**, New Providence, PA (US); **Omar G. Stoltzfus**, New Holland, PA (US)
- (73) Assignee: **Breeo, LLC**, Kinzers, PA (US)
- (\*\*) Term: **15 Years**

D602,148 S	10/2009	DeFouw et al.
D679,791 S	4/2013	Lowsky
D690,405 S	9/2013	Lowsky
D742,490 S	11/2015	Jepson
D774,172 S	12/2016	Zemel et al.
D777,307 S	1/2017	Rocha
D792,567 S	7/2017	Zemel et al.
10,222,092 B1	3/2019	Traeger
D868,230 S	11/2019	Nitschmann
D914,172 S	3/2021	Stoltzfus
2006/0236996 A1	10/2006	Mosher, II et al.
2008/0105252 A1	5/2008	Barbour et al.
2014/0338585 A1*	11/2014	McBride ..... B63B 29/04 114/364

(Continued)

(21) Appl. No.: **29/781,808**

(22) Filed: **Apr. 30, 2021**

(51) **LOC (13) Cl.** ..... **23-03**

(52) **U.S. Cl.**  
USPC ..... **D23/341; D23/347**

(58) **Field of Classification Search**  
USPC ..... D23/332, 314, 343, 348, 350, 346, 336,  
D23/341, 347; D7/332-337, 402-405,  
D7/352  
CPC ..... F24C 1/16; F24C 5/00; F24C 3/14; A47J  
33/00; A47J 37/0763; A47J 37/07; F24B  
1/18; F24B 1/182; F24B 1/1808; F24B  
1/181; F24B 1/195; F24B 1/191; F24B  
1/19; F24B 1/1902

See application file for complete search history.

(56) **References Cited**

**U.S. PATENT DOCUMENTS**

D253,931 S	1/1980	DeVischer et al.
D262,427 S	12/1981	Boston et al.
D286,002 S	10/1986	Brix
D361,467 S	8/1995	Kabayama
D389,009 S	1/1998	Baykal
D390,935 S	2/1998	Bosje et al.
6,289,795 B1	9/2001	McLemore et al.
D449,490 S	10/2001	Frederick
D590,201 S	4/2009	Zagar

**OTHER PUBLICATIONS**

USPTO NonFinal Office Action dated Jun. 11, 2021 in U.S. Appl. No. 29/777,785, filed Apr. 8, 2021 to Stoltzfus.

(Continued)

*Primary Examiner* — Ania Aman  
(74) *Attorney, Agent, or Firm* — Fred Zollinger

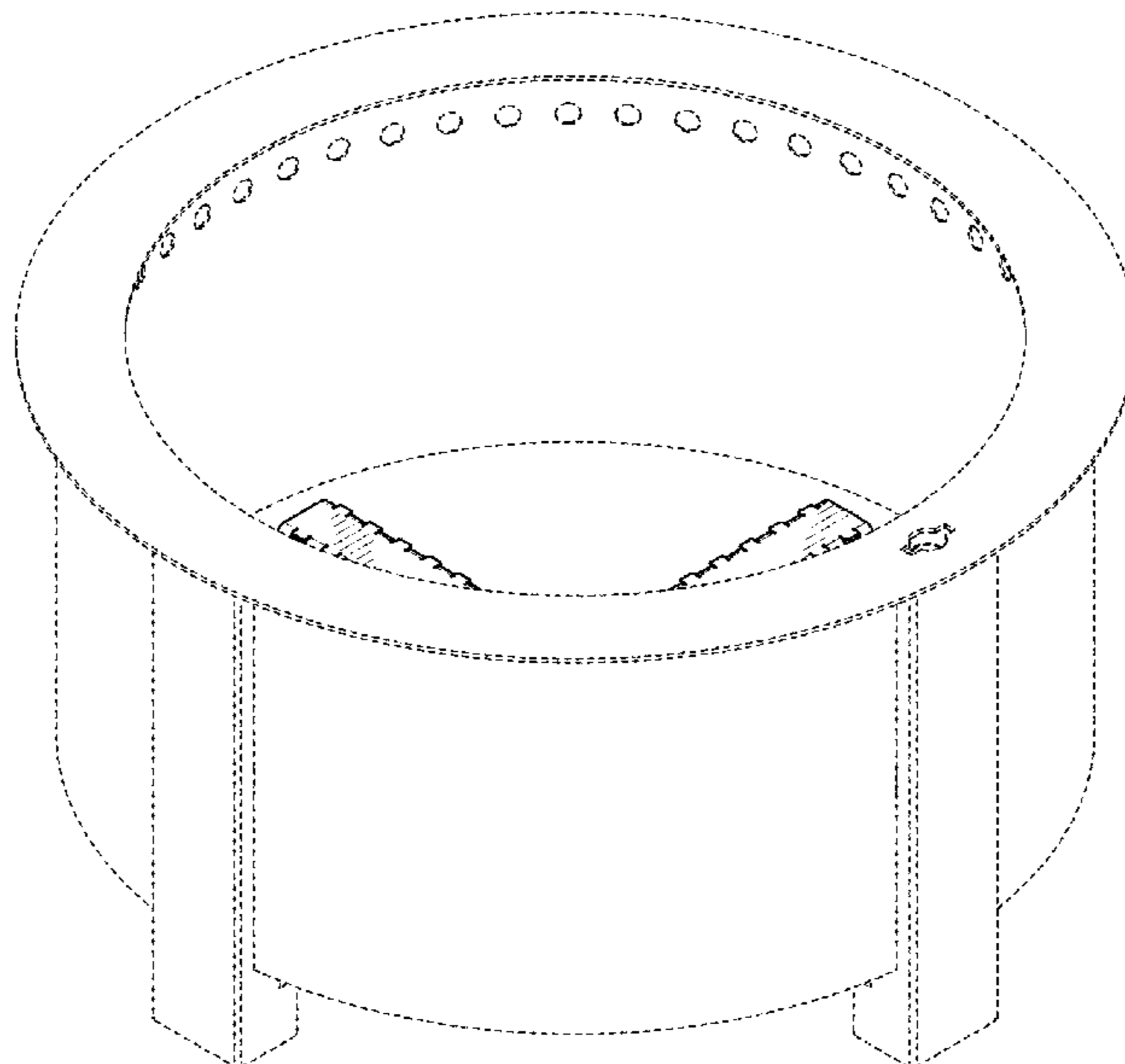
(57) **CLAIM**

The ornamental design an air inlet assembly for fire pit, as shown and described.

**DESCRIPTION**

FIG. 1 is an upper perspective view of an air inlet assembly for fire pit positioned in a fire pit showing our new design. FIG. 2 is a top plan view thereof. FIG. 3 is a cut away upper perspective view thereof; and, FIG. 4 is a front elevation view thereof taken along line 4-4 of FIG. 2, the rear elevation and side elevation views being the same. The dashed lines shown in the drawings are for purposes of illustrating portions of the article that form no part of the claimed design.

**1 Claim, 4 Drawing Sheets**



(56)

**References Cited**

U.S. PATENT DOCUMENTS

2015/0267919 A1\* 9/2015 Zemel ..... F24B 3/00  
126/66  
2015/0285507 A1\* 10/2015 Troyer, Jr. .... F24B 1/182  
126/30  
2016/0166109 A1 6/2016 Banal et al.  
2020/0370753 A1 11/2020 Goin  
2021/0045578 A1 2/2021 Stoltzfus

OTHER PUBLICATIONS

Breeo, How to Install Your Breeo Insert Ring, Youtube, Mar. 23, 2021, accessed Apr. 15, 2021, from <https://www.youtube.com/watch?v=dKXx6-siRR0&t=6s>.

Breeo, X19 Smokeless Fire Pit Insert Bundle, screenshot from <https://breeo.co/collections/x-series/products/x-series-19-insert-ring-fire-pit>, accessed Apr. 15, 2021.

United States Design Patent application drawings, U.S. Appl. No. 29/777,785, filed Apr. 8, 2021.

\* cited by examiner

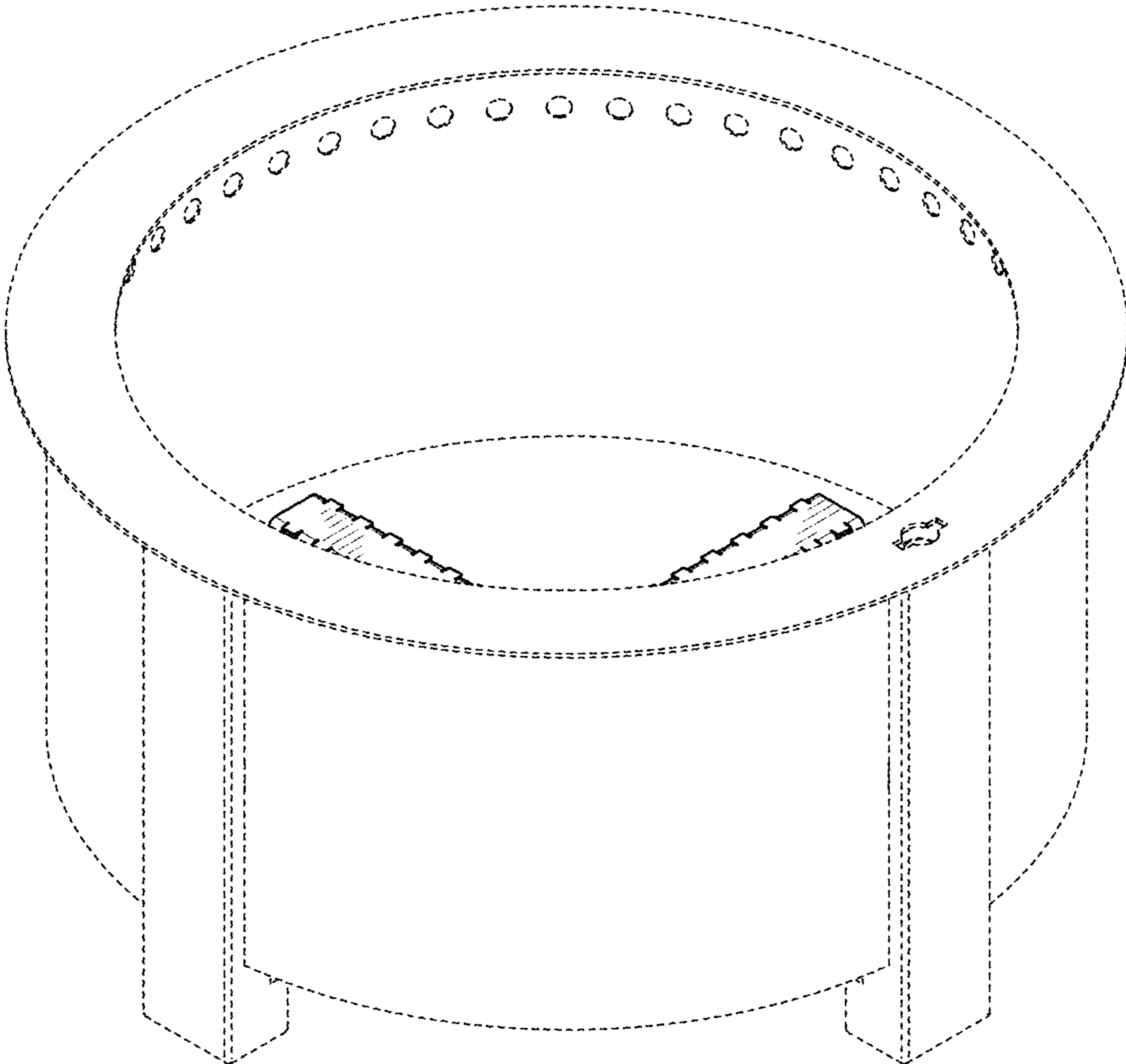


FIG. 1

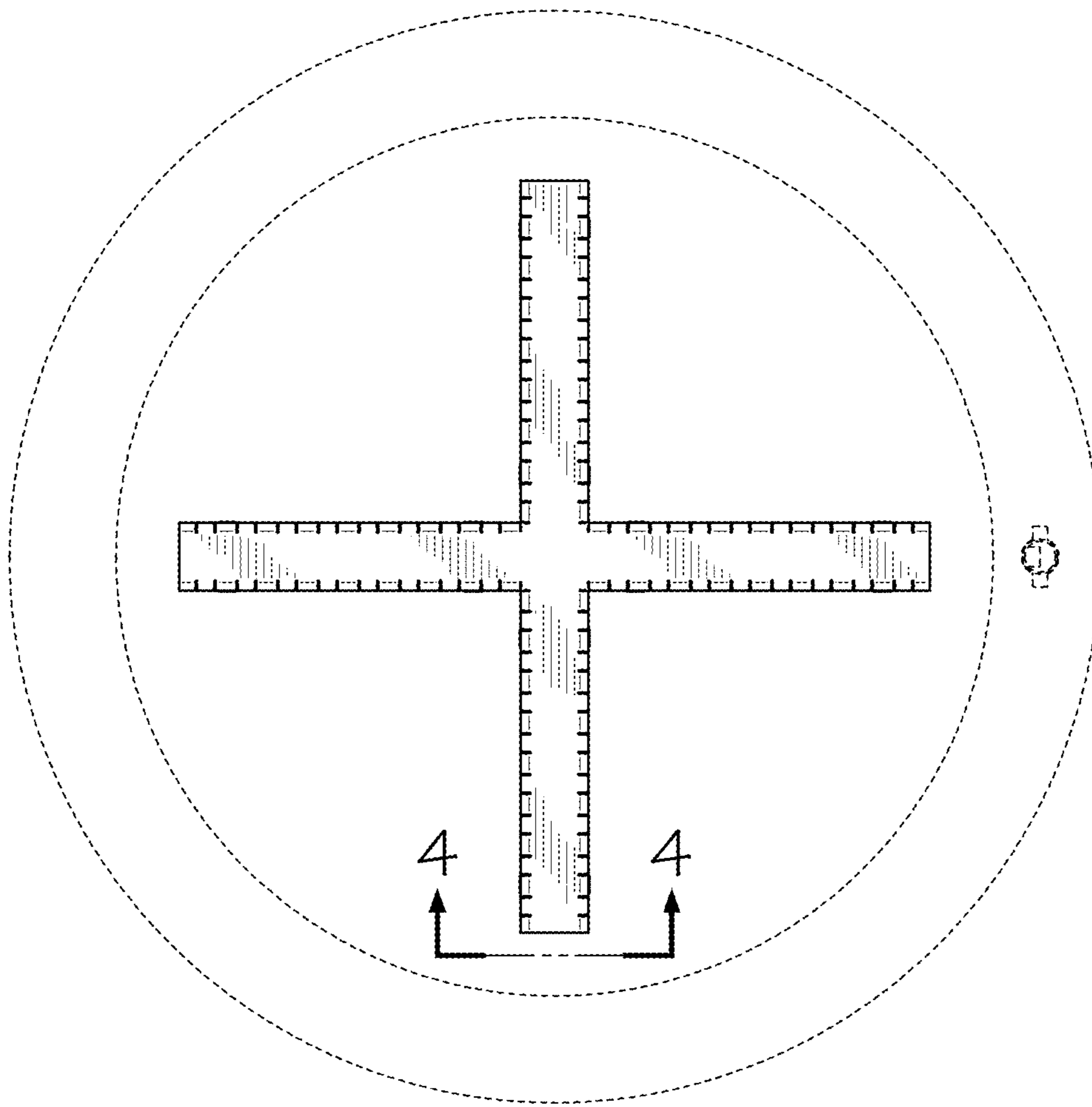


FIG. 2

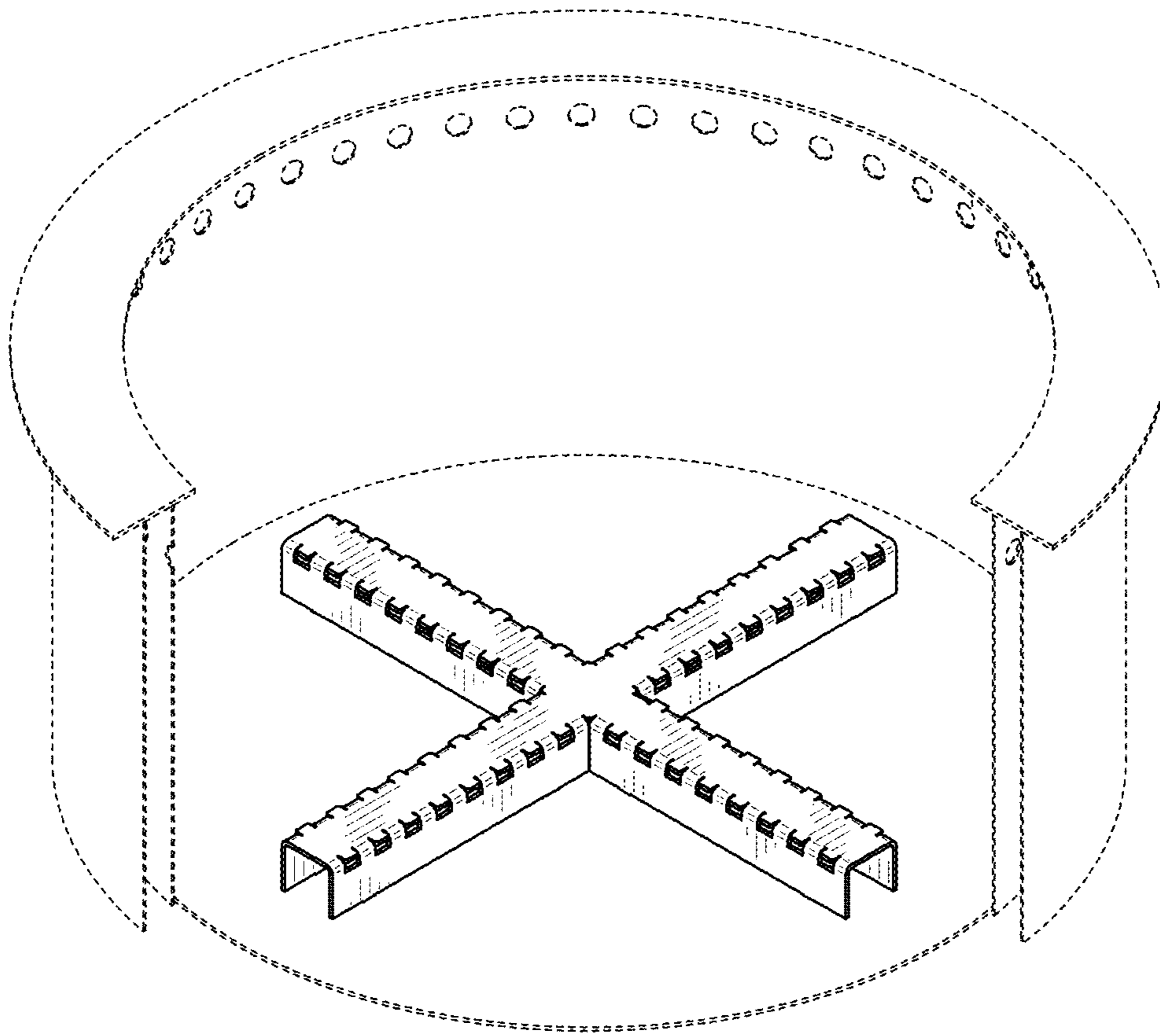


FIG. 3

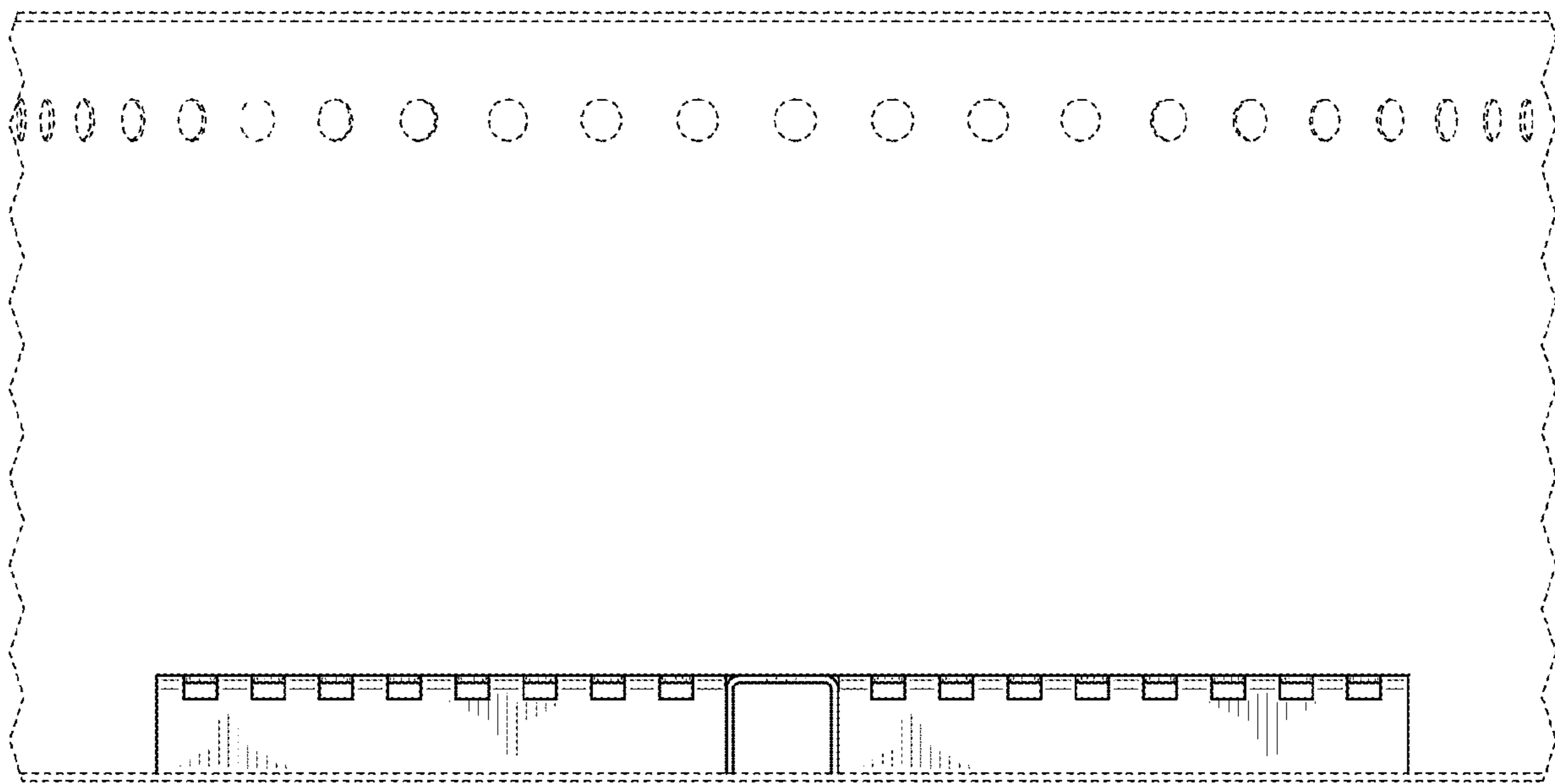


FIG. 4