



US00D954920S

(12) **United States Design Patent** (10) **Patent No.:** **US D954,920 S**
Xie (45) **Date of Patent:** **** Jun. 14, 2022**

(54) **HEATER**

(71) Applicant: **Wenjun Xie**, Taizhou (CN)

(72) Inventor: **Wenjun Xie**, Taizhou (CN)

(73) Assignee: **Wenjun Xie**, Taizhou (CN)

(**) Term: **15 Years**

(21) Appl. No.: **29/747,683**

(22) Filed: **Aug. 24, 2020**

(51) **LOC (13) Cl.** **23-03**

(52) **U.S. Cl.**
USPC **D23/335**

(58) **Field of Classification Search**
USPC D23/328, 332, 335-337, 355
CPC F27D 5/00
See application file for complete search history.

(56) **References Cited**

U.S. PATENT DOCUMENTS

D327,315 S *	6/1992	Pelonis	D23/355
D340,765 S *	10/1993	Joss	D23/332
D467,326 S *	12/2002	Shapiro	D23/336
D597,639 S *	8/2009	Chen Lee	D23/328
D688,781 S *	8/2013	Vallinan	D23/355
D847,960 S *	5/2019	He	D23/332
D858,728 S *	9/2019	Meng	D23/335
D859,620 S *	9/2019	Le	D23/335
D865,146 S *	10/2019	Meng	D23/335
D905,216 S *	12/2020	He	D23/337
2013/0078591 A1 *	3/2013	Chang	F24H 9/02 432/250

FOREIGN PATENT DOCUMENTS

CA	187168	*	5/2018
CN	304047371	*	10/2016
KR	301016219.0000	*	8/2018

OTHER PUBLICATIONS

IRIS USA Woozoo Compact Desktop Oscillating Air Circulator, first available Aug. 30, 2018[online], [site visited Sep. 28, 2021]. Available from internet, URL:<https://www.amazon.com/IRIS-USA-Controlled-Oscillating-Circulating/dp/B07GZSDF6X> (Year: 2018).*
COSTWAY 2 in 1 Mini Electric Space Heater Cooling Fan, first available Nov. 4, 2019[online], [site visited Sep. 28, 2021]. Available from internet, URL:<website> (Year: 2019).*
Euromatic 2 in 1 2000W Air Circulator Heating & Cooling Fan, Date unavailable[online], [site visited Sep. 28, 2021]. Available from internet, URL:<https://www.ebay.com.au/itm/324098743771> (Year: 2021).*

* cited by examiner

Primary Examiner — Barbara Fox

Assistant Examiner — Jamaal Rasheed

(74) *Attorney, Agent, or Firm* — Dragon Sun Law Firm, PC; Jinggao Li, Esq.; Nathaniel Perkins

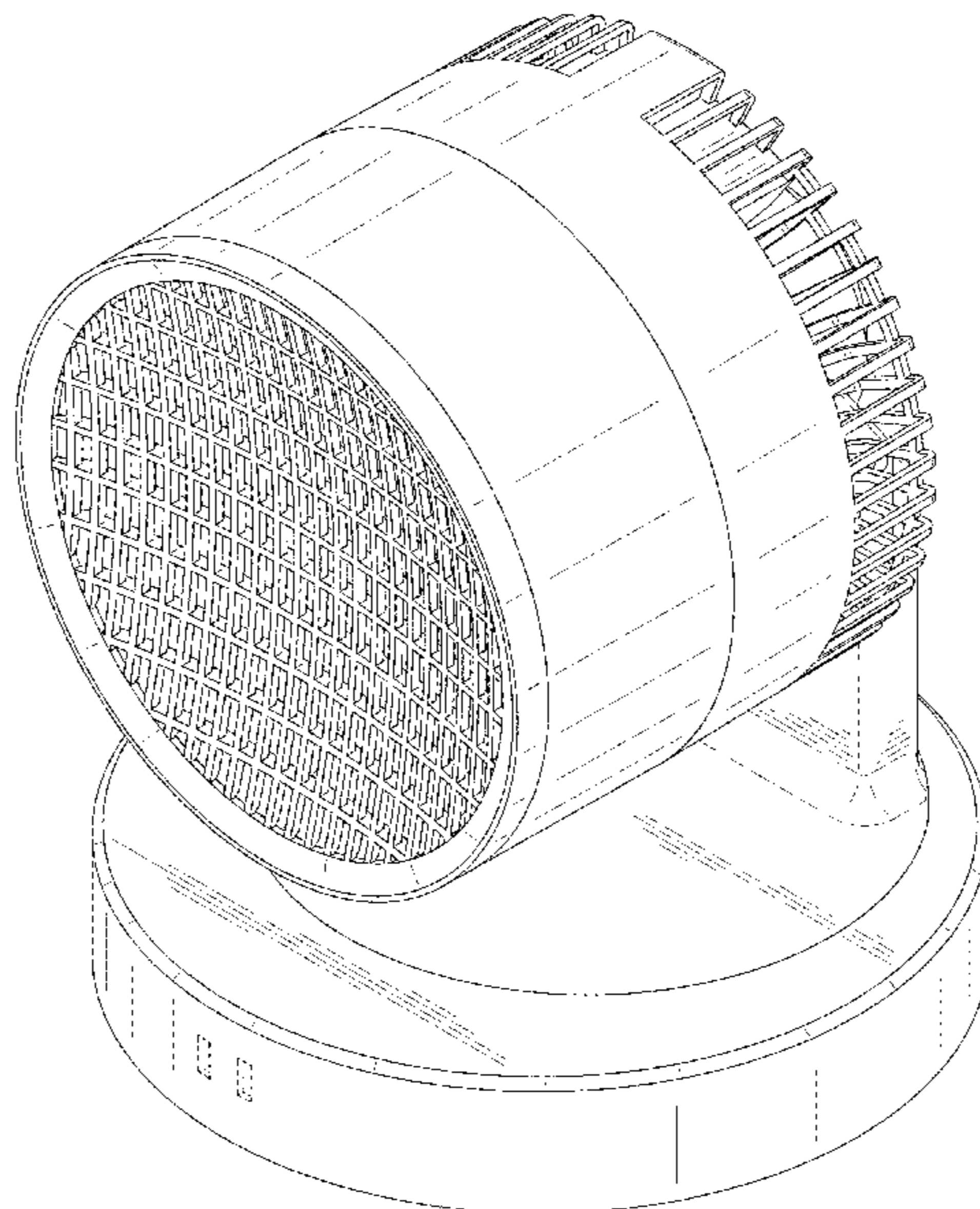
(57) **CLAIM**

The ornamental design for a heater, as shown and described.

DESCRIPTION

FIG. 1 is a perspective view of a heater showing my new design;
FIG. 2 is another perspective view thereof;
FIG. 3 is a front view thereof;
FIG. 4 is a rear view thereof;
FIG. 5 is a left side view thereof;
FIG. 6 is a right side view thereof;
FIG. 7 is a top plan view thereof;
FIG. 8 is a bottom plan view thereof; and,
FIG. 9 is an enlarged view of portion of FIG. 2.
The evenly-spaced broken lines shown in the figures depict portions of the heater that form no part of the claimed design. The dash-dot broken lines showing the enlargements in FIGS. 2 and 9 form no part of the claimed design.

1 Claim, 9 Drawing Sheets



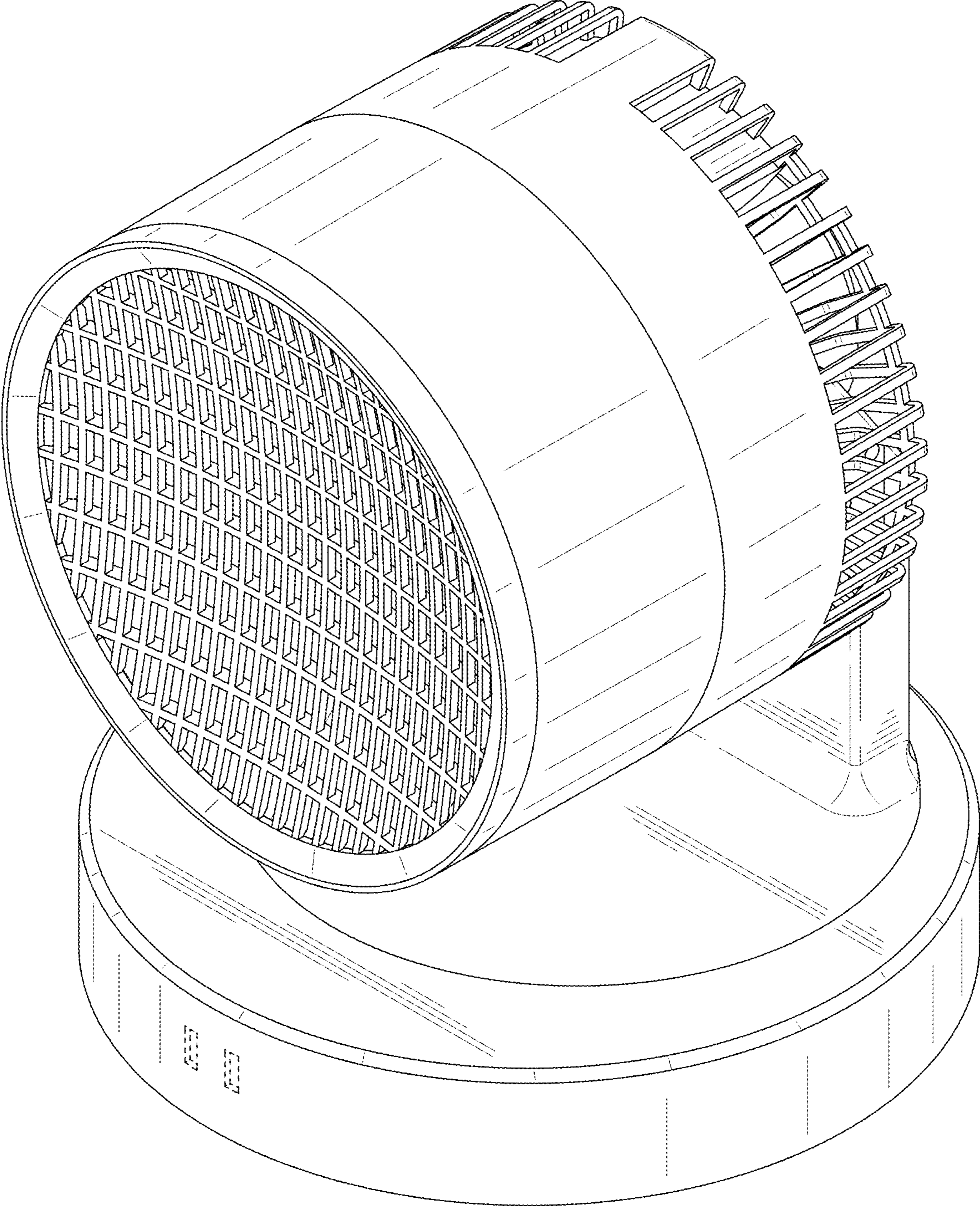


FIG. 1

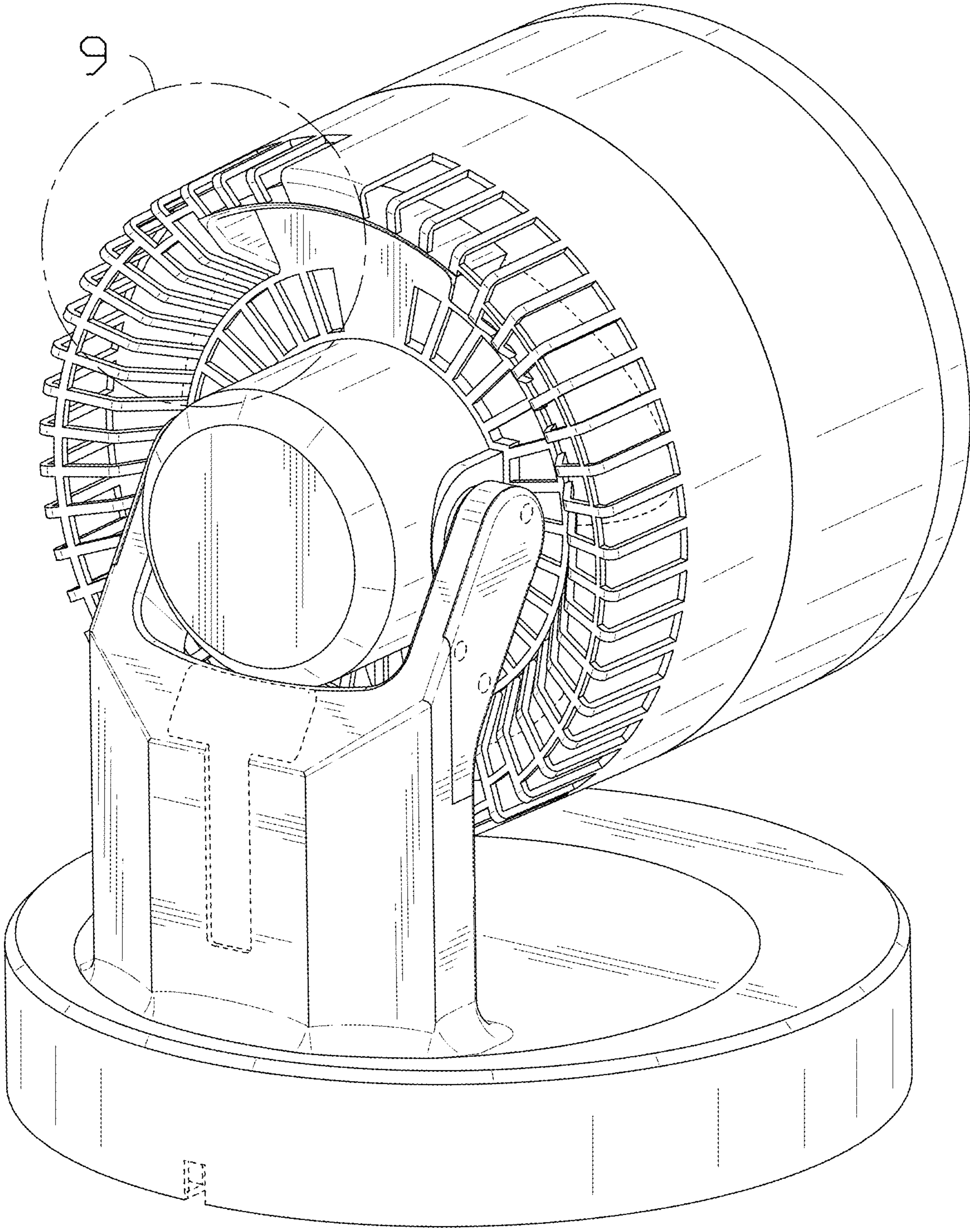


FIG. 2

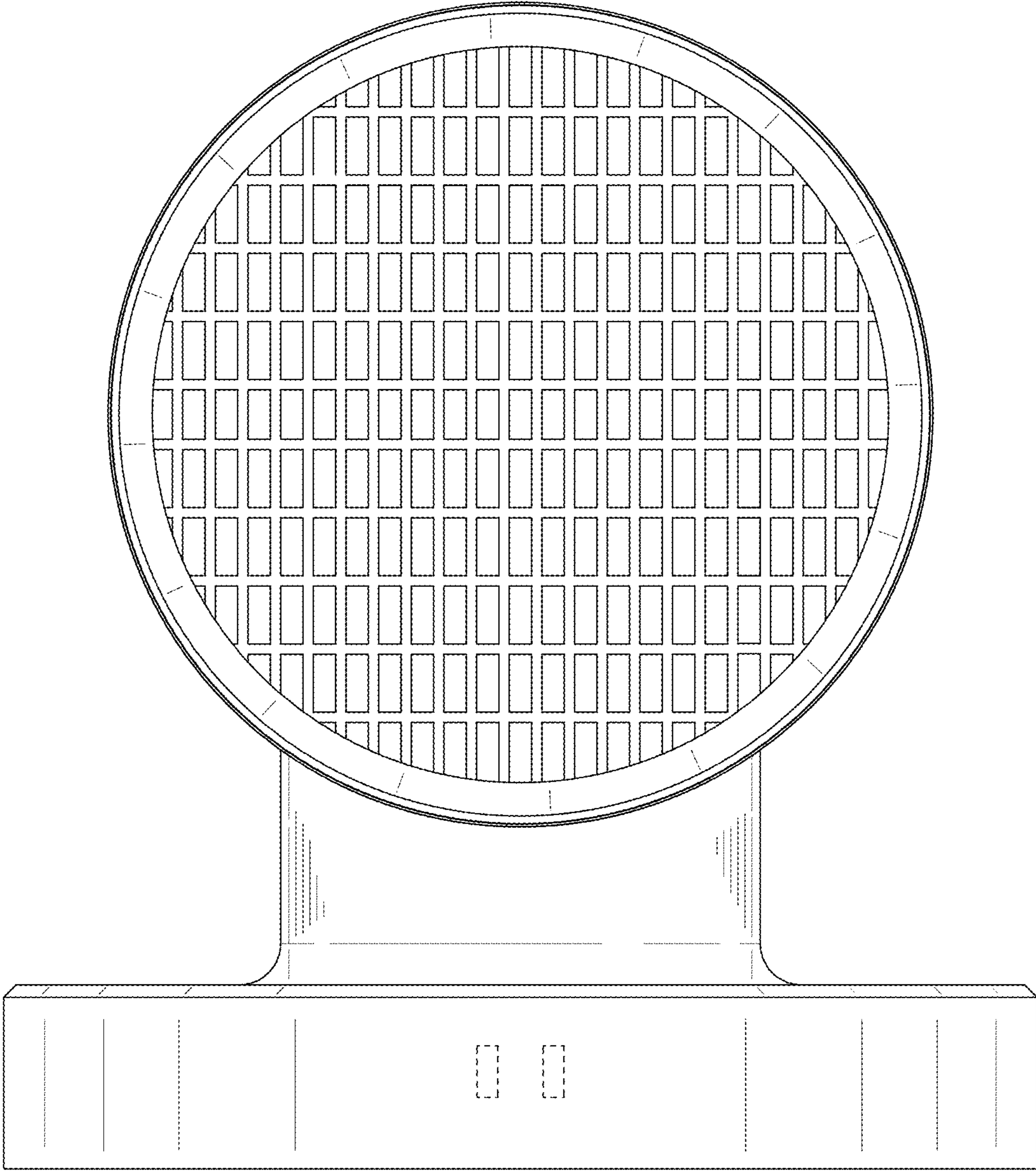


FIG. 3

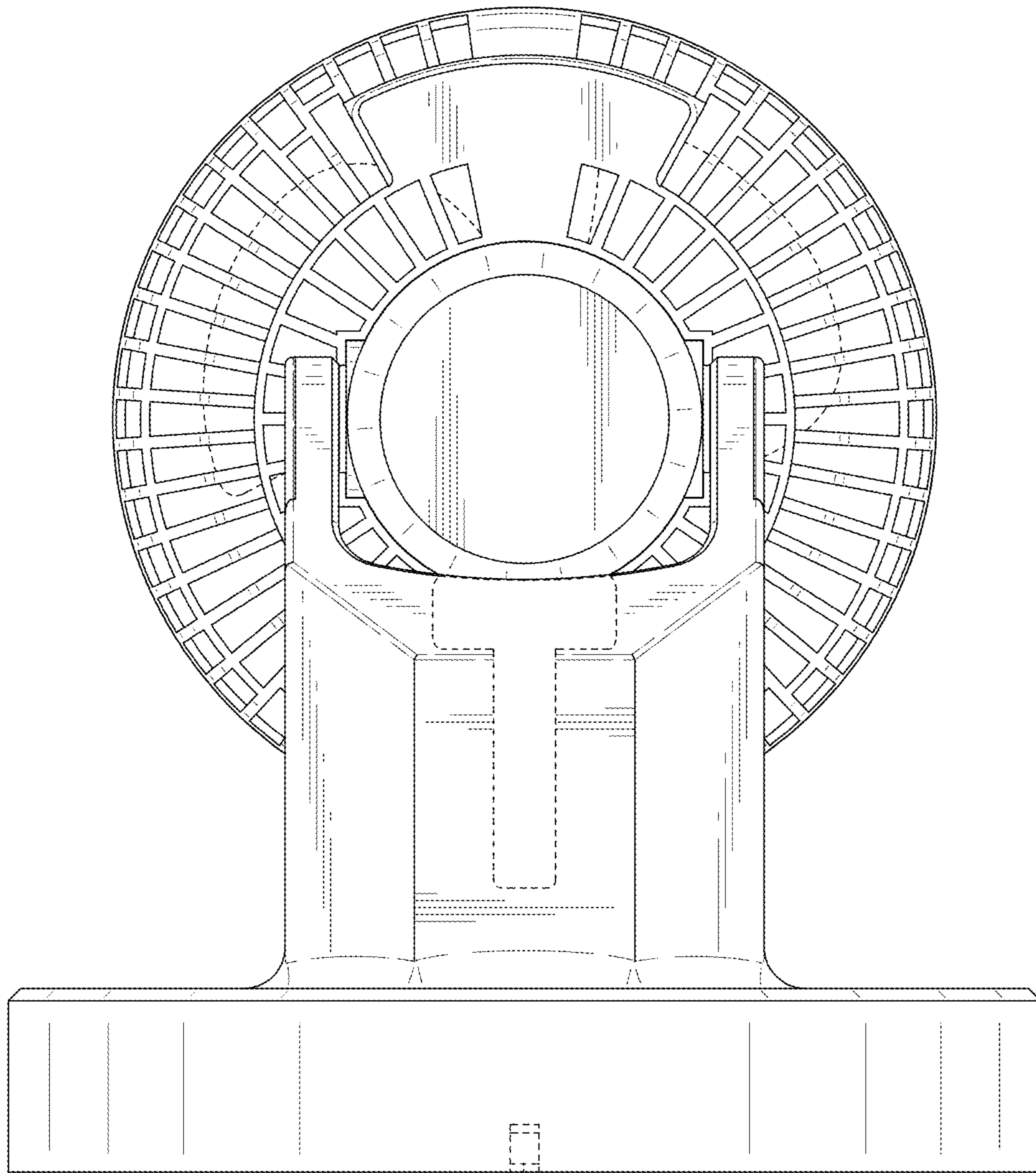


FIG. 4

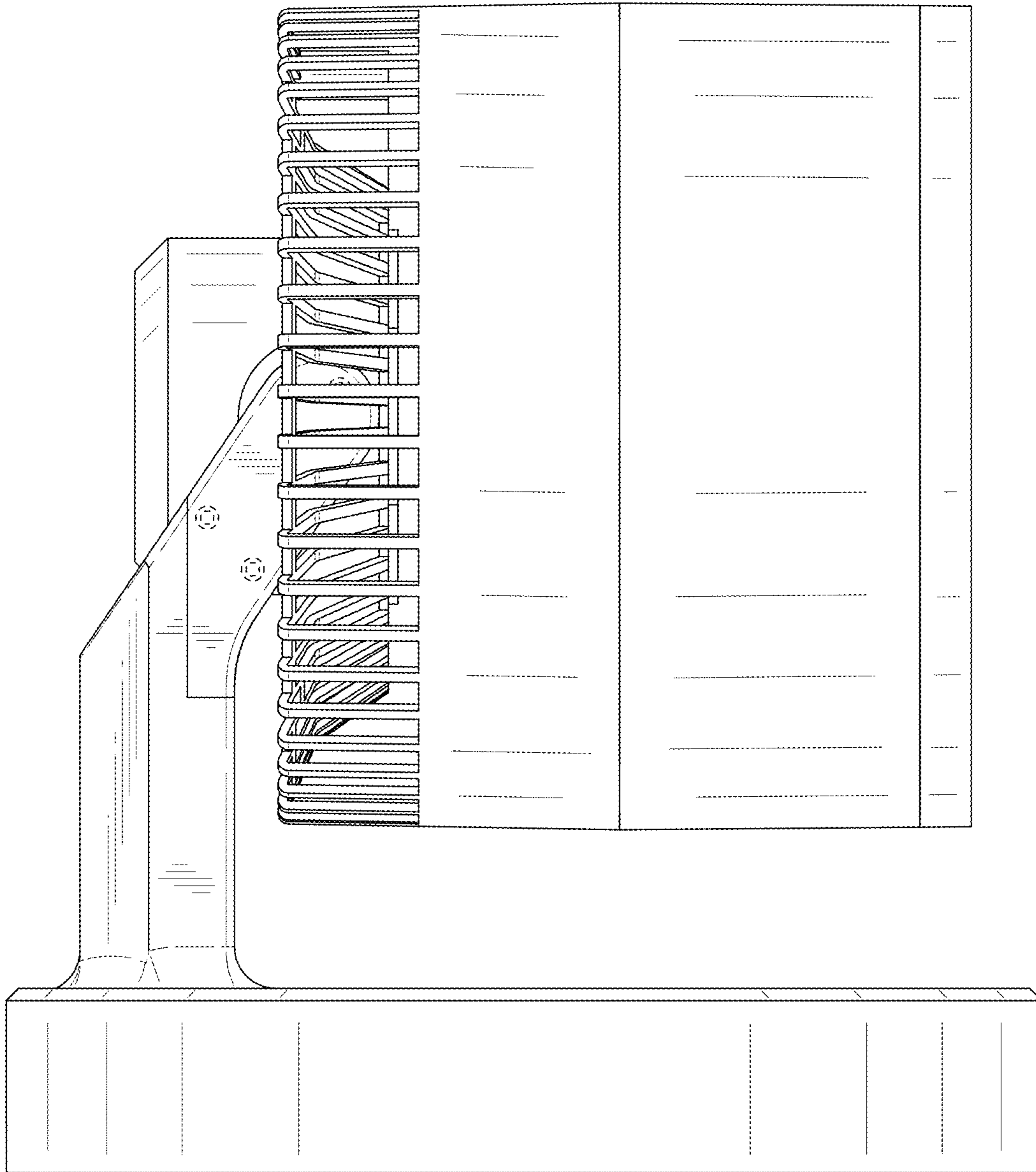


FIG. 5

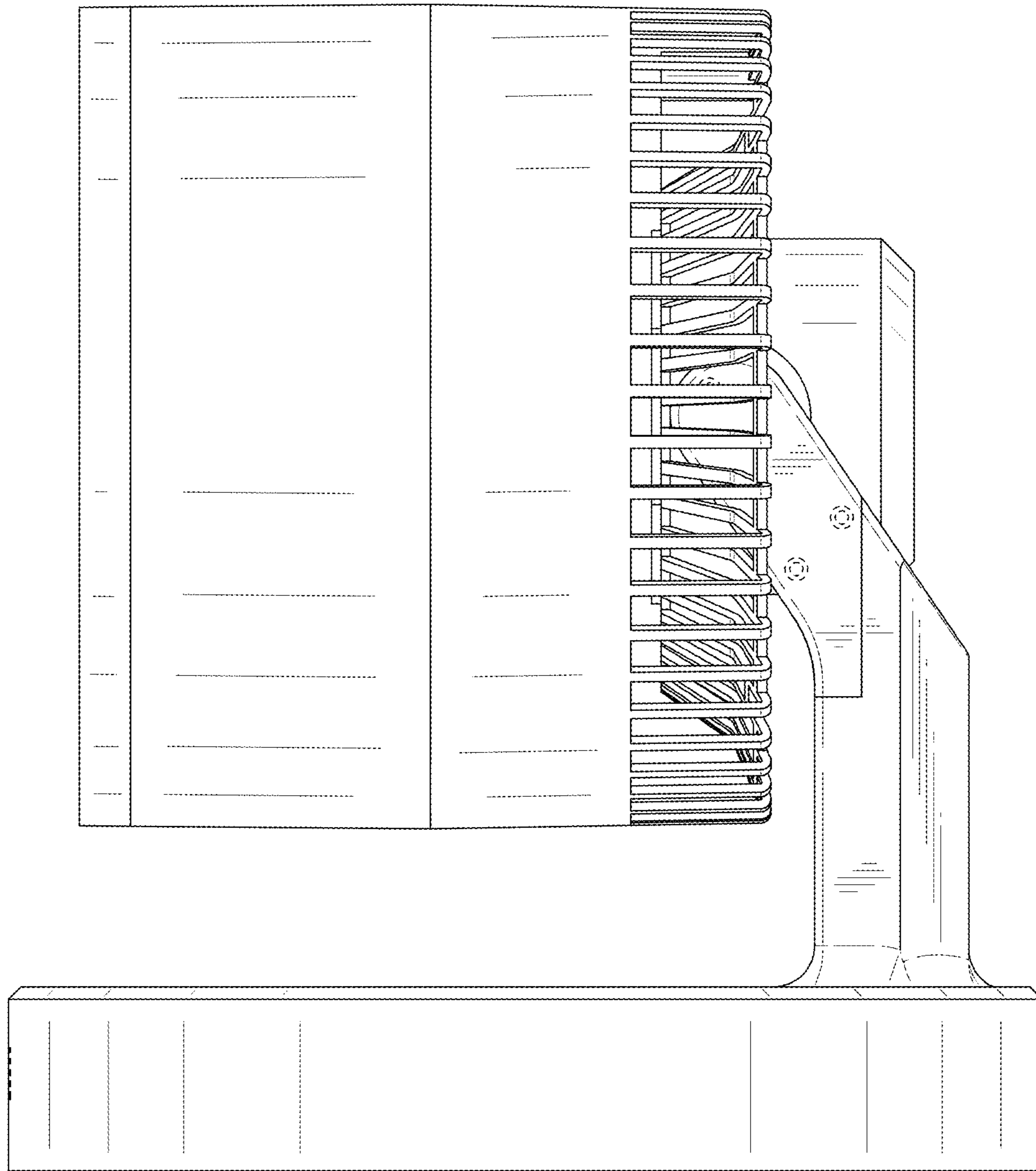


FIG. 6

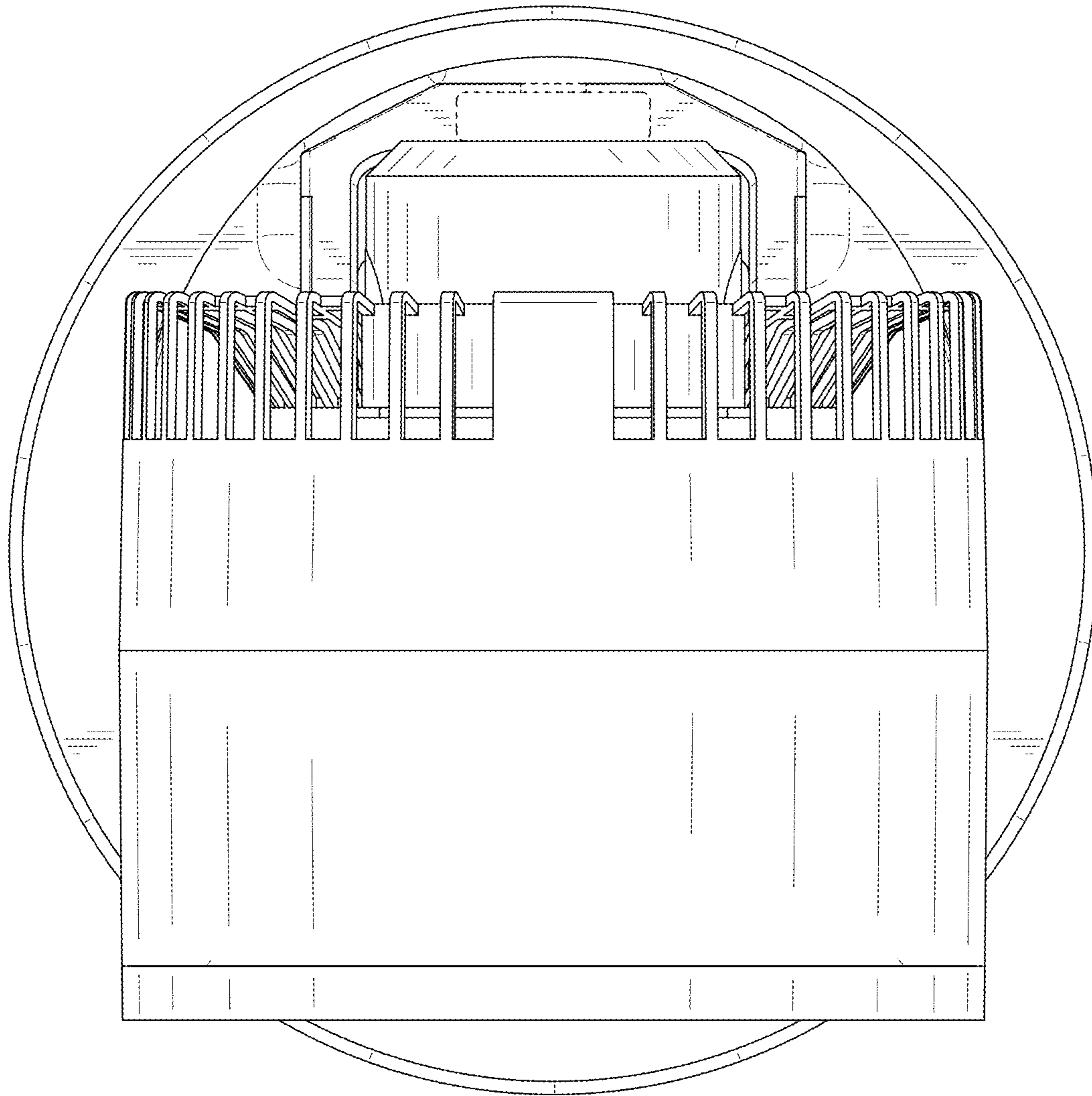


FIG. 7

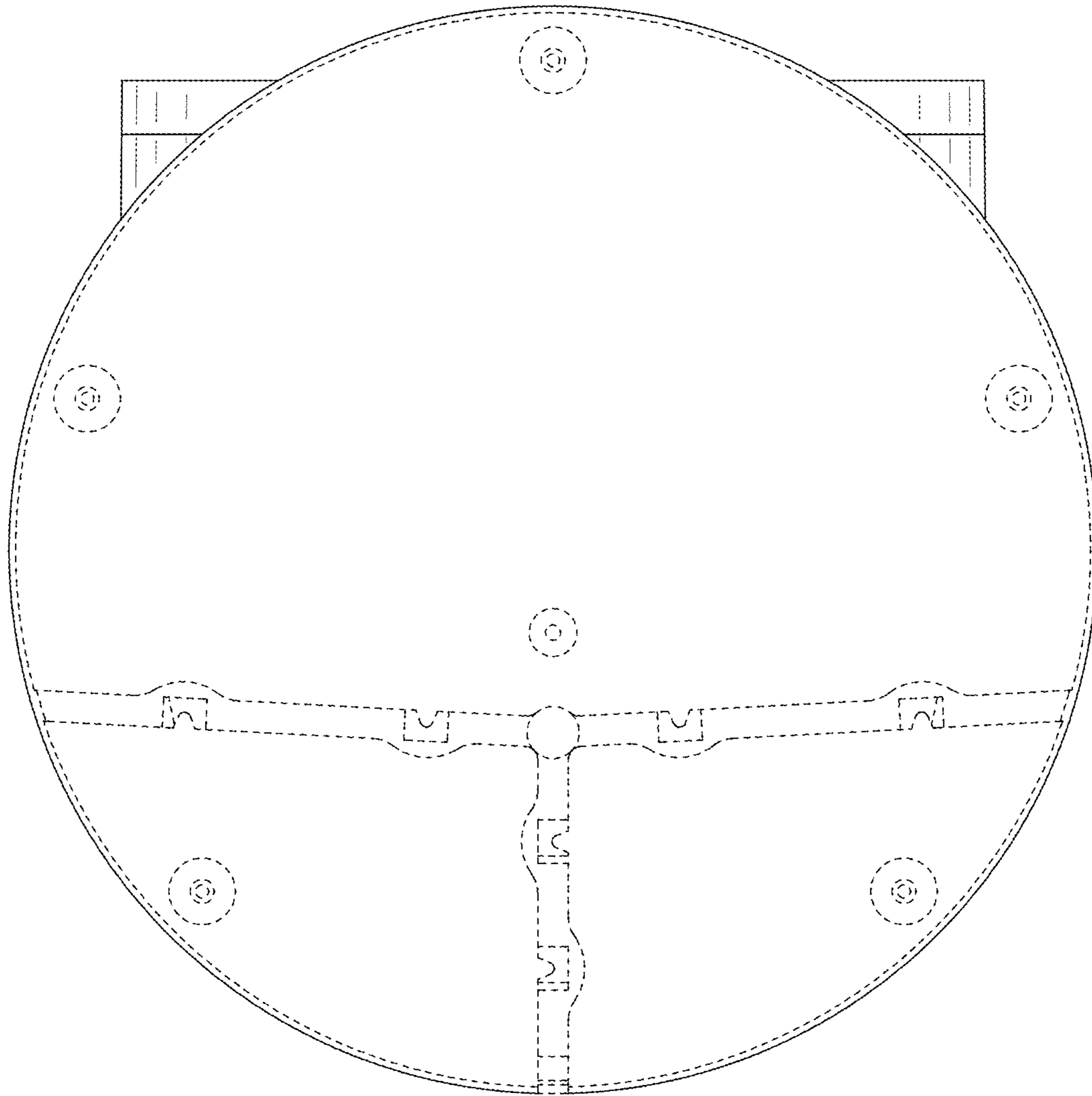


FIG. 8

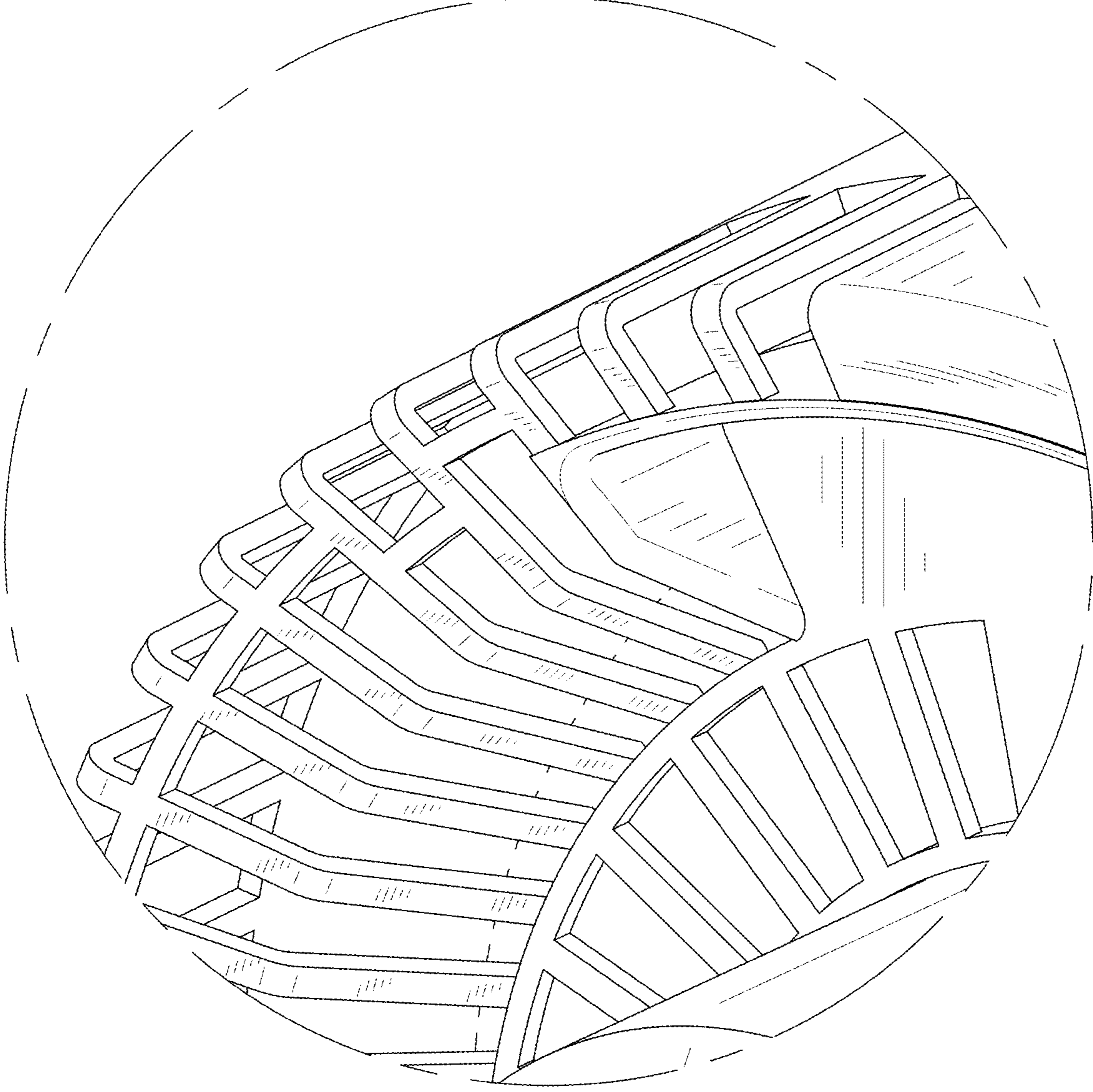


FIG. 9