



US00D954918S

(12) **United States Design Patent**
LeTourneau et al.

(10) **Patent No.:** **US D954,918 S**
(45) **Date of Patent:** **** Jun. 14, 2022**

- (54) **TOILET**
- (71) Applicant: **Kohler Co.**, Kohler, WI (US)
- (72) Inventors: **Alexander V. LeTourneau**, Sheboygan, WI (US); **Shawn J. Booth**, Sheboygan, WI (US)
- (73) Assignee: **Kohler Co.**, Kohler, WI (US)
- (**) Term: **15 Years**
- (21) Appl. No.: **29/735,680**
- (22) Filed: **May 22, 2020**

D815,262 S * 4/2018 Bates D23/313
 D884,847 S * 5/2020 Otsuka D23/301
 D888,910 S * 6/2020 LeTourneau D23/309
 (Continued)

OTHER PUBLICATIONS

Toilets (pp. 314-347) from Kohler 2016 Fixtures Catalog.

Primary Examiner — John A Voytek

(74) *Attorney, Agent, or Firm* — Lempia Summerfield Katz LLC

(57) **CLAIM**

We claim the ornamental design for a toilet, as shown and described.

DESCRIPTION

FIG. 1 is a perspective view the claimed design;
 FIG. 2 is a front view of the claimed design shown in FIG. 1;
 FIG. 3 is a rear view of the claimed design shown in FIG. 1;
 FIG. 4 is a top view of the claimed design shown in FIG. 1;
 FIG. 5 is a bottom view of the claimed design shown in FIG. 1;
 FIG. 6 is a side view of the claimed design shown in FIG. 1; and,
 FIG. 7 is another side view of the claimed design shown in FIG. 1.

The ornamental design that is claimed is shown in the drawings as solid lines and surfaces having surface shading. The broken lines in the drawings are for illustrative purposes only and form no part of the claimed design. For example, broken lines formed by equal length dashes show unclaimed portions of the design. Broken lines formed of unequal length dashes (i.e., dash-dot) show boundaries between either claimed and unclaimed portions of the design or between unclaimed and unclaimed portions of the design.

1 Claim, 4 Drawing Sheets

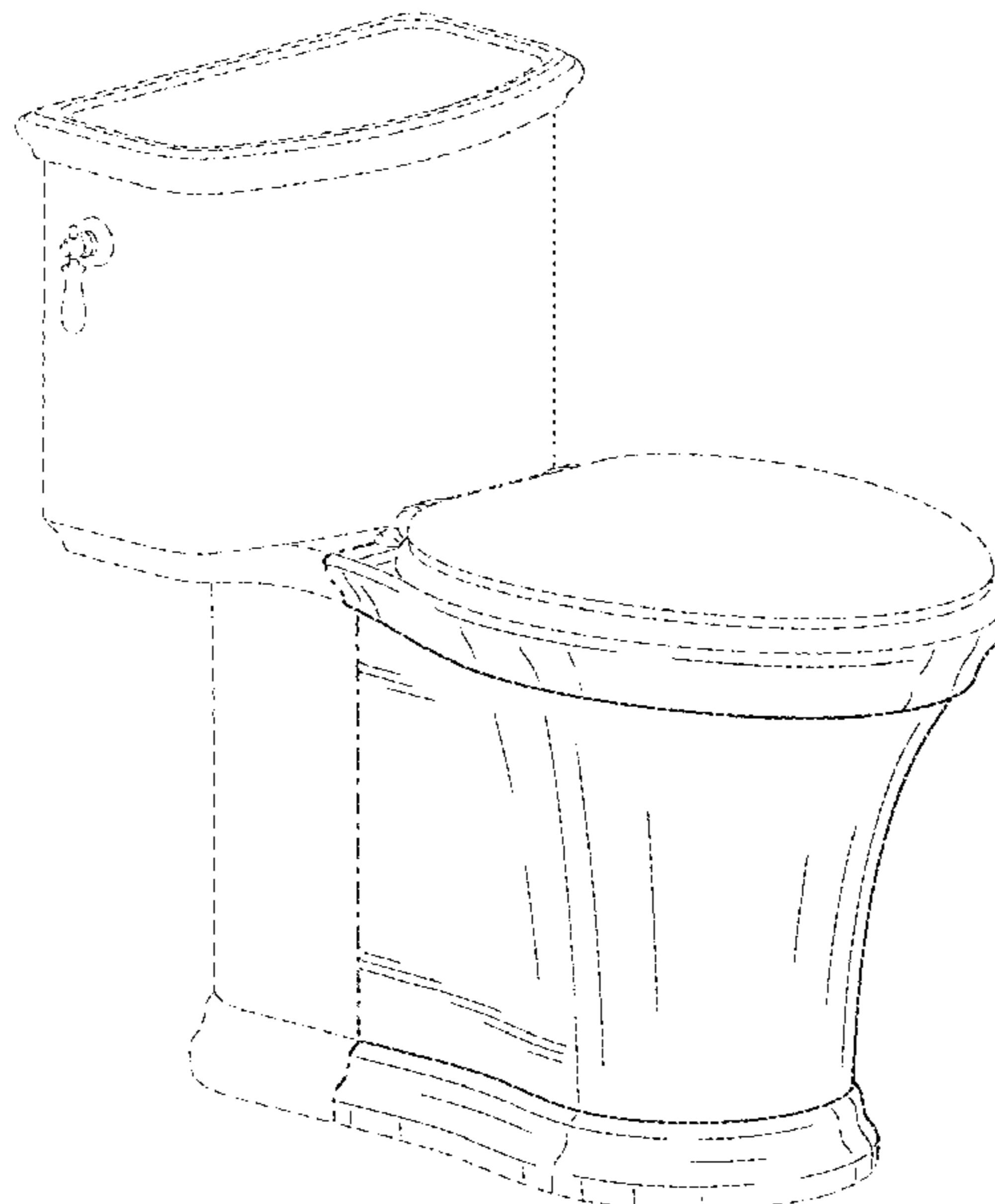
Related U.S. Application Data

- (62) Division of application No. 29/650,042, filed on Jun. 4, 2018, now Pat. No. Des. 888,910.
- (51) **LOC (13) Cl.** **23-02**
- (52) **U.S. Cl.**
USPC **D23/309**
- (58) **Field of Classification Search**
USPC D23/295–303, 309, 311–313
CPC A47K 11/02; A47K 11/026; A47K 11/00;
A47K 13/00; E03D 11/18; E03D 5/10;
E03D 13/00
See application file for complete search history.

(56) **References Cited**

U.S. PATENT DOCUMENTS

D415,563 S	10/1999	Mckeone	
D558,863 S *	1/2008	Taguchi	D23/295
D585,128 S	1/2009	Slothower	
D601,233 S	9/2009	Kergoet	
D602,137 S *	10/2009	Kergoet	D23/295
D654,993 S *	2/2012	Ando	D23/301
D672,441 S *	12/2012	Kennedy	D23/301
D767,742 S	9/2016	Bates	
D801,493 S	10/2017	Bates	



(56)

References Cited

U.S. PATENT DOCUMENTS

D893,686 S * 8/2020 Uceda D23/301
D929,549 S * 8/2021 Moller D23/301

* cited by examiner

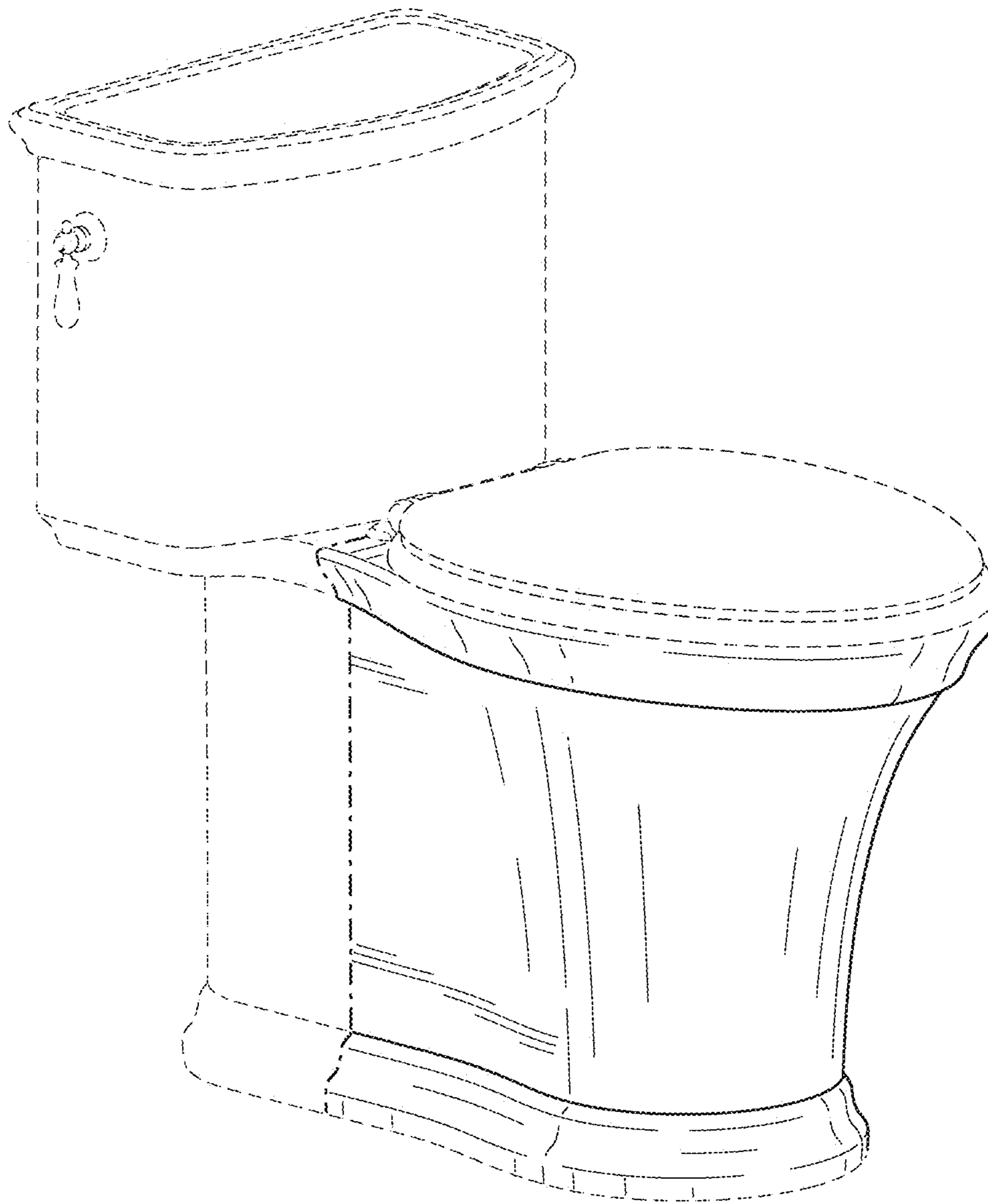


FIG. 1

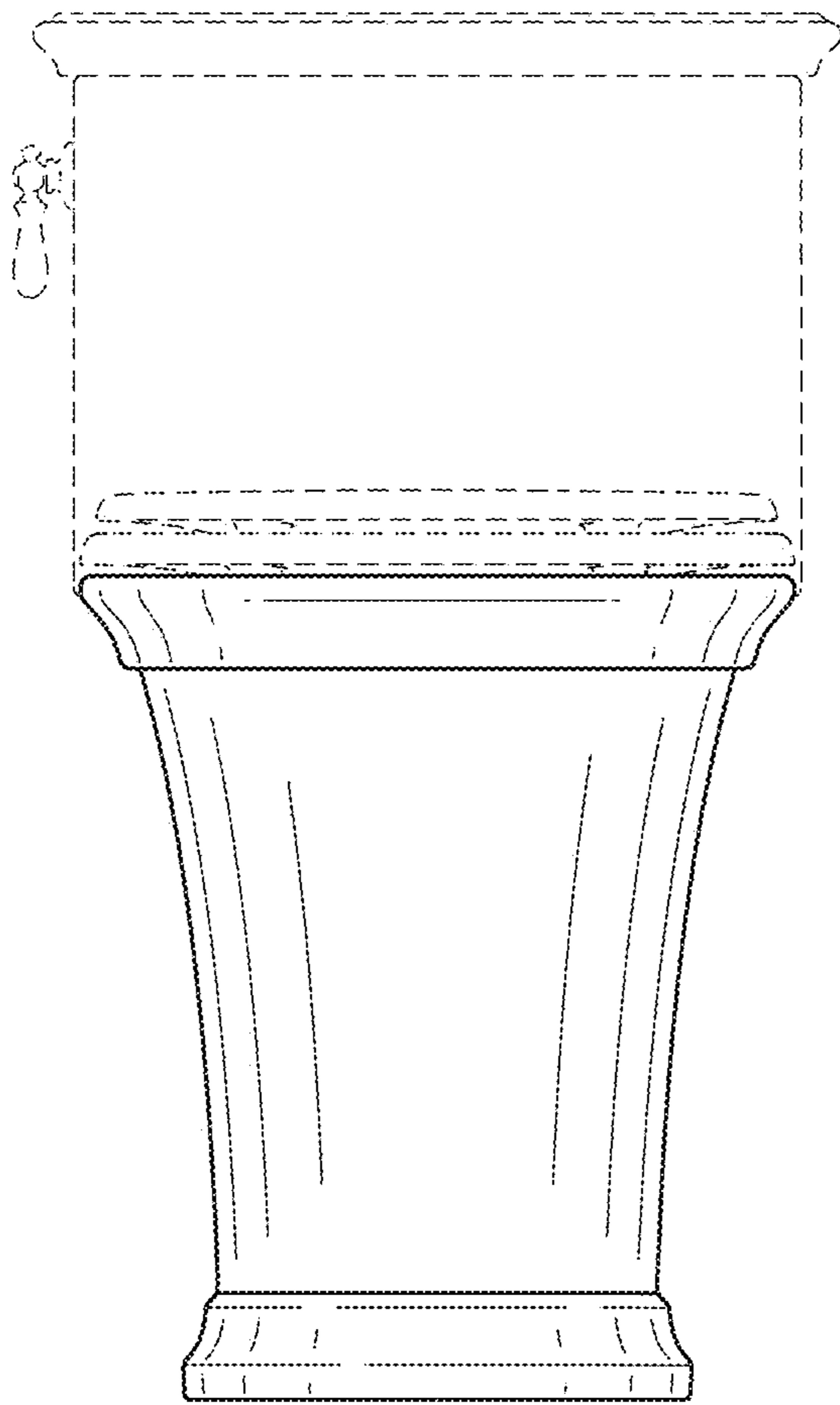


FIG. 2

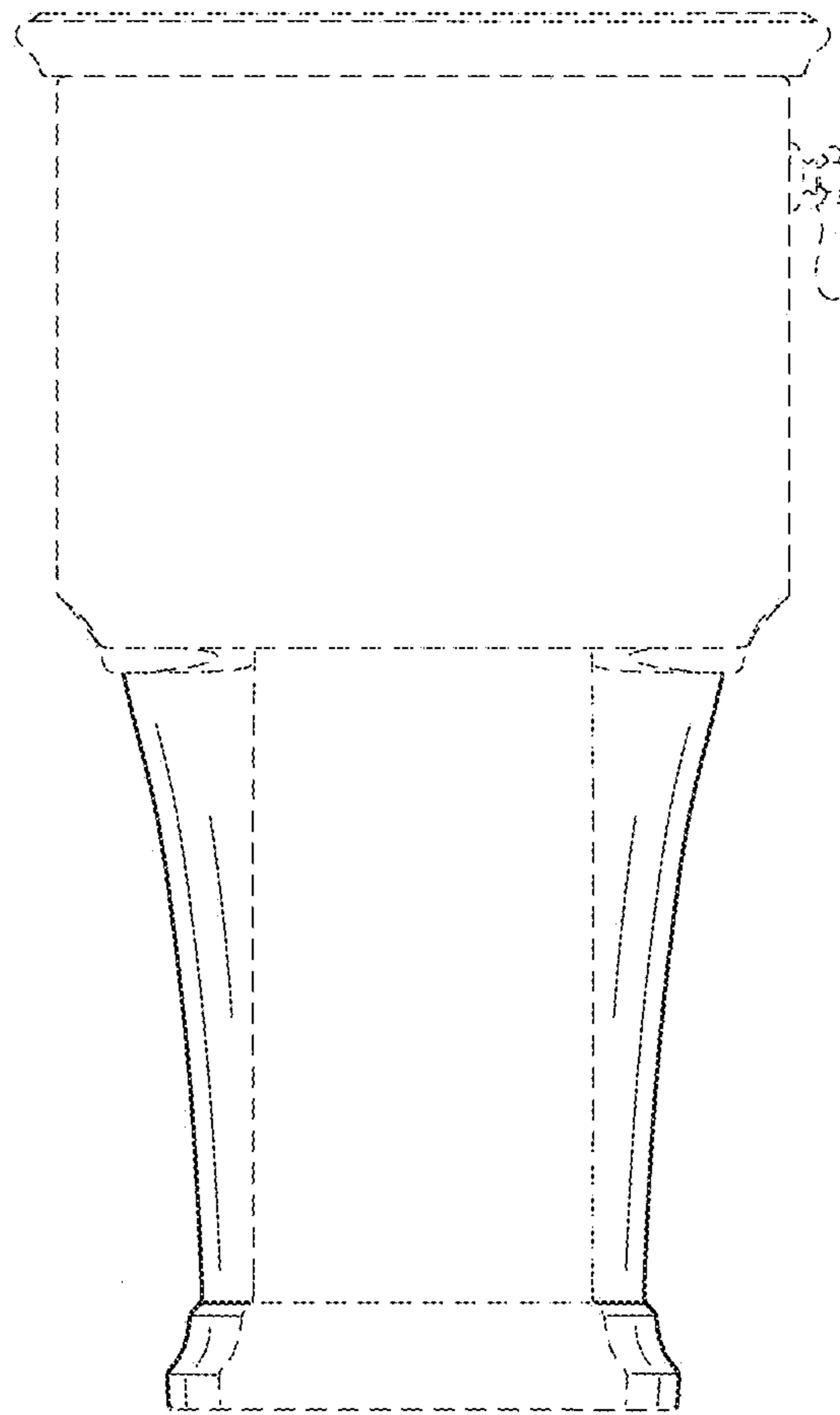


FIG. 3

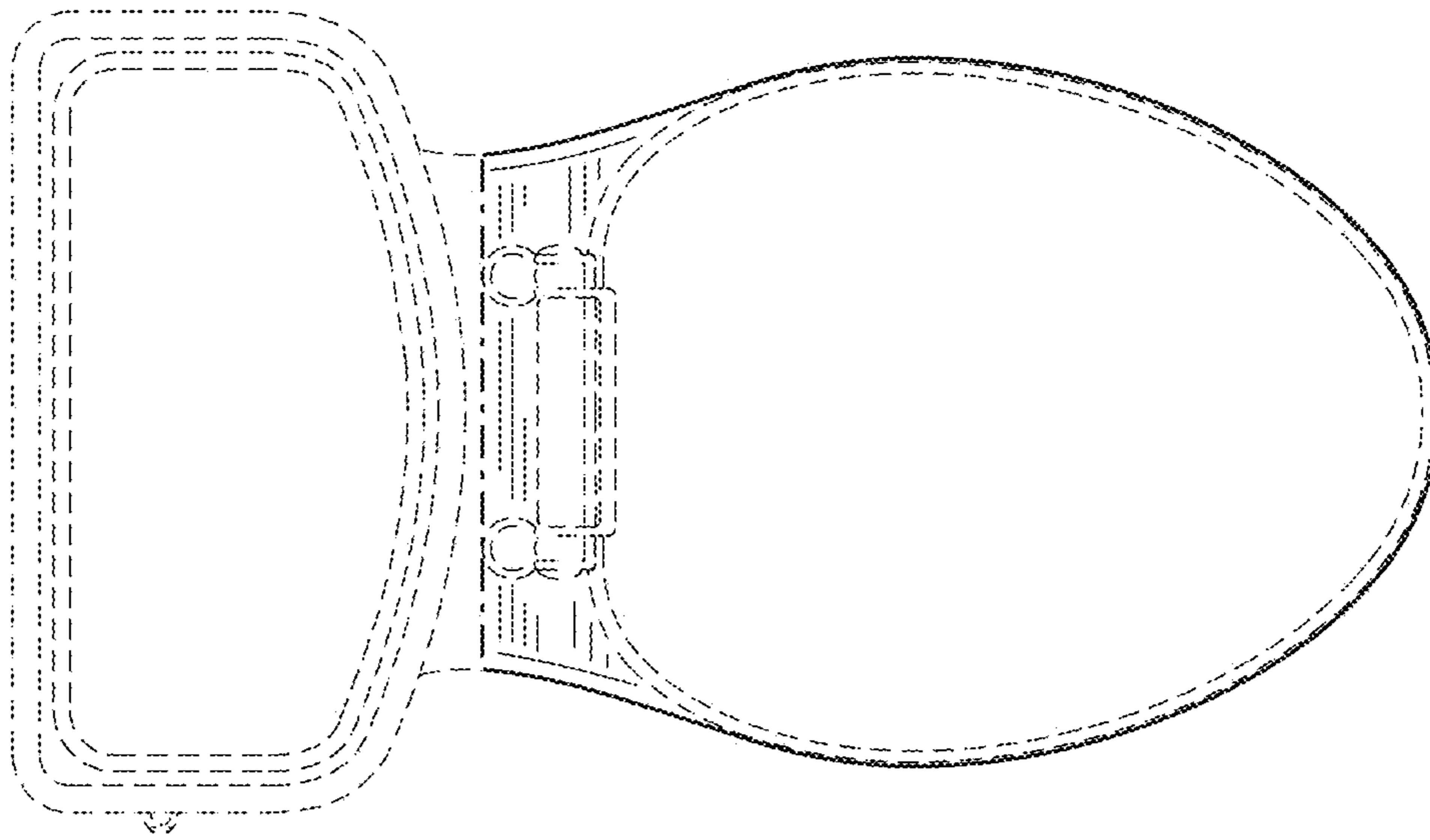


FIG. 4

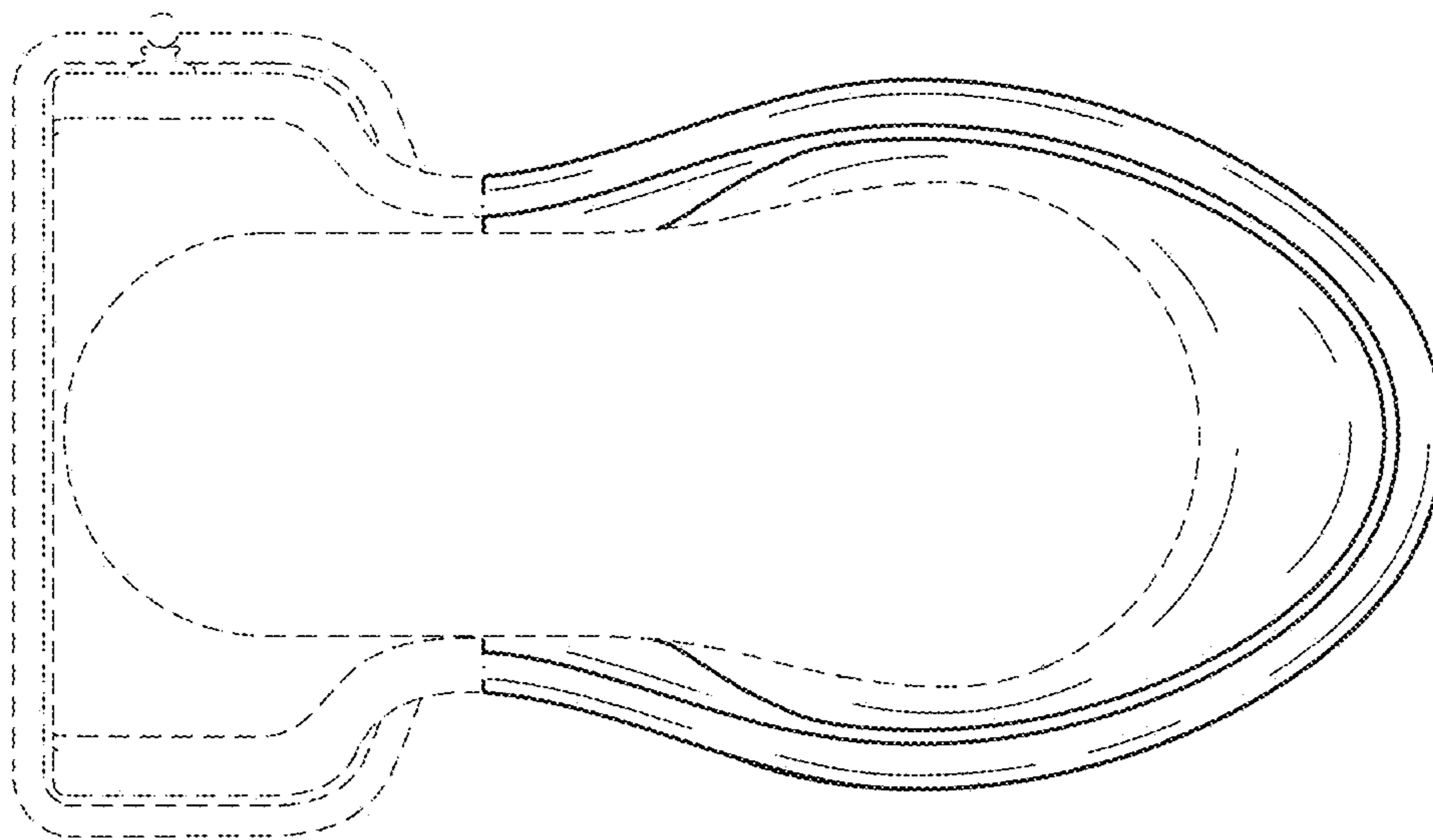


FIG. 5

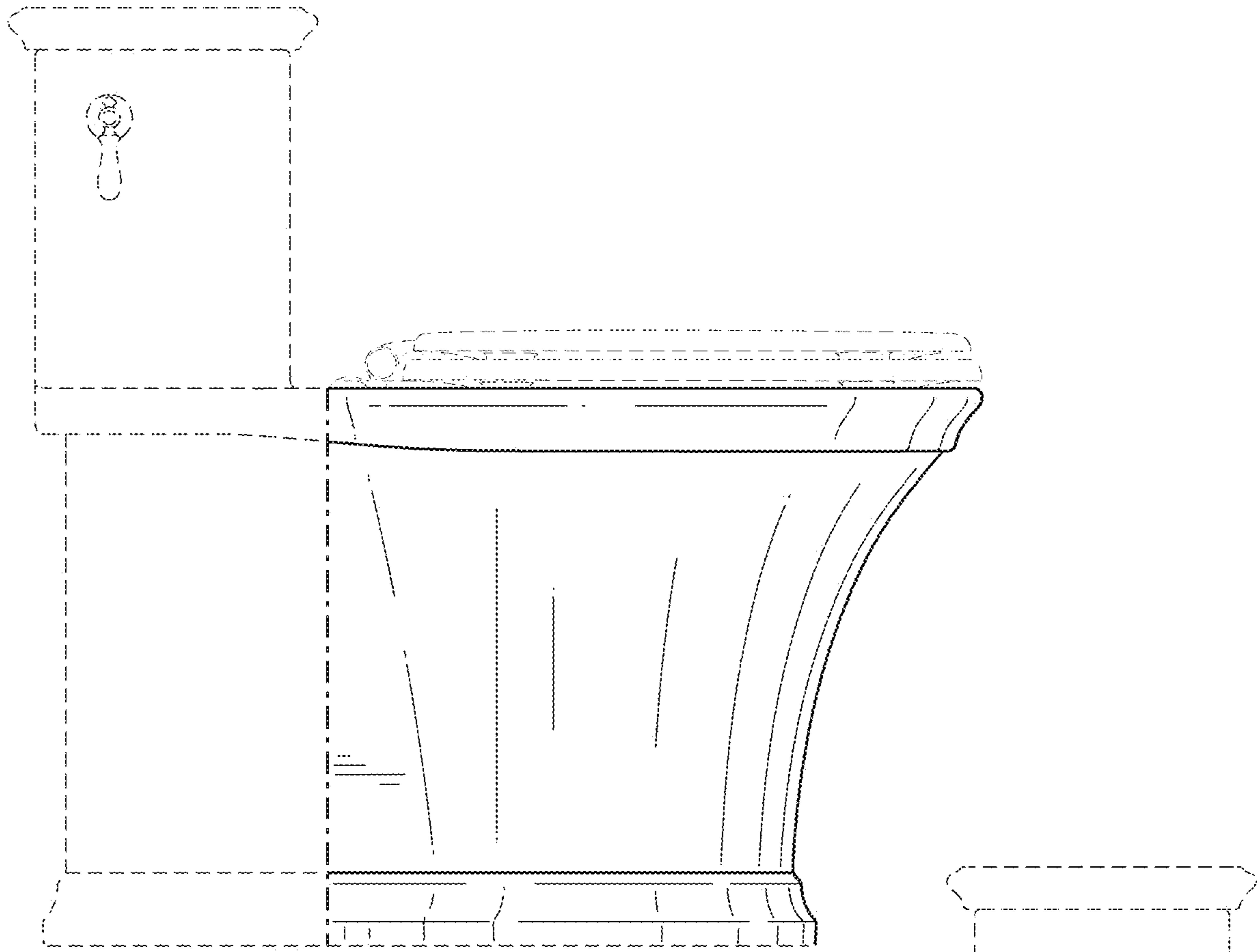


FIG. 6

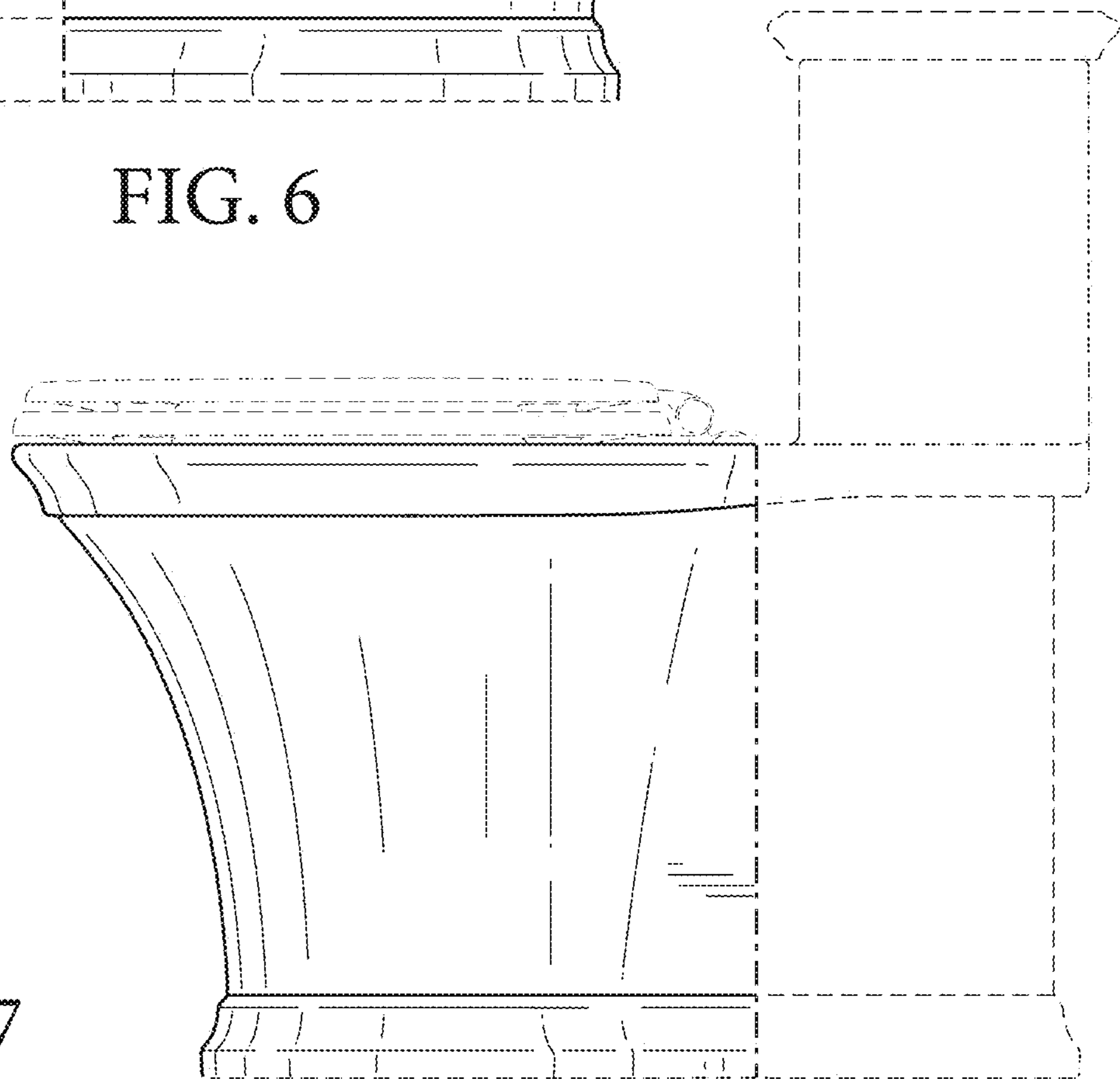


FIG. 7