



US00D954917S

(12) **United States Design Patent**  
**Eilmus et al.**

(10) **Patent No.: US D954,917 S**  
(45) **Date of Patent: \*\* Jun. 14, 2022**

- (54) **SINK**
- (71) Applicant: **Kohler Co.**, Kohler, WI (US)
- (72) Inventors: **Niels J. Eilmus**, Sheboygan, WI (US);  
**Erika Kovesdi**, Kohler, WI (US);  
**Christopher J. Santos**, Sheboygan Falls, WI (US); **Jason R. Miller**, Sheboygan Falls, WI (US)
- (73) Assignee: **KOHLER CO.**, Kohler, WI (US)
- (\*\*) Term: **15 Years**
- (21) Appl. No.: **29/819,910**
- (22) Filed: **Dec. 17, 2021**

**Related U.S. Application Data**

- (62) Division of application No. 29/745,282, filed on Aug. 5, 2020, now Pat. No. Des. 941,970.
- (51) **LOC (13) Cl.** ..... **23-02**
- (52) **U.S. Cl.**  
USPC ..... **D23/308**
- (58) **Field of Classification Search**  
USPC ..... D23/284, 286-287, 290, 292, 293.1, 308  
CPC ..... A47K 1/04; A47B 77/06  
See application file for complete search history.

(56) **References Cited**

**U.S. PATENT DOCUMENTS**

2,515,099	A	7/1950	Levy	
2,925,609	A *	2/1960	Richardson	E03C 1/335 4/633
3,231,903	A *	2/1966	Cope	E03C 1/33 220/3.6
5,016,297	A	5/1991	Sauter et al.	
D353,652	S *	12/1994	Dannenberg	D23/290
9,988,799	B1 *	6/2018	Yu	E03C 1/18
10,104,962	B2 *	10/2018	Booth	E03C 1/18
10,151,085	B2 *	12/2018	Chong	E03C 1/18
10,226,122	B2 *	3/2019	Booth	E03C 1/33

D869,618	S *	12/2019	Walther	D23/284
2004/0083546	A1 *	5/2004	Tahara	E03C 1/14 4/619
2009/0205127	A1 *	8/2009	Osher	A47B 77/04 108/50.11
2012/0222211	A1	9/2012	Booth et al.	
2020/0102727	A1	4/2020	Li	
2021/0112978	A1 *	4/2021	Miller	E03C 1/18

**OTHER PUBLICATIONS**

Rohl Company <https://www.rohlhome.com/kitchen/kitchen-sinks/rc3021-shaws-classic-waterside-single-bowl-bowed-farmhouse-apron-front-fire#RC3021WH>.

\* cited by examiner

*Primary Examiner* — Robert A Delehanty

(74) *Attorney, Agent, or Firm* — Foley & Lardner LLP

(57) **CLAIM**

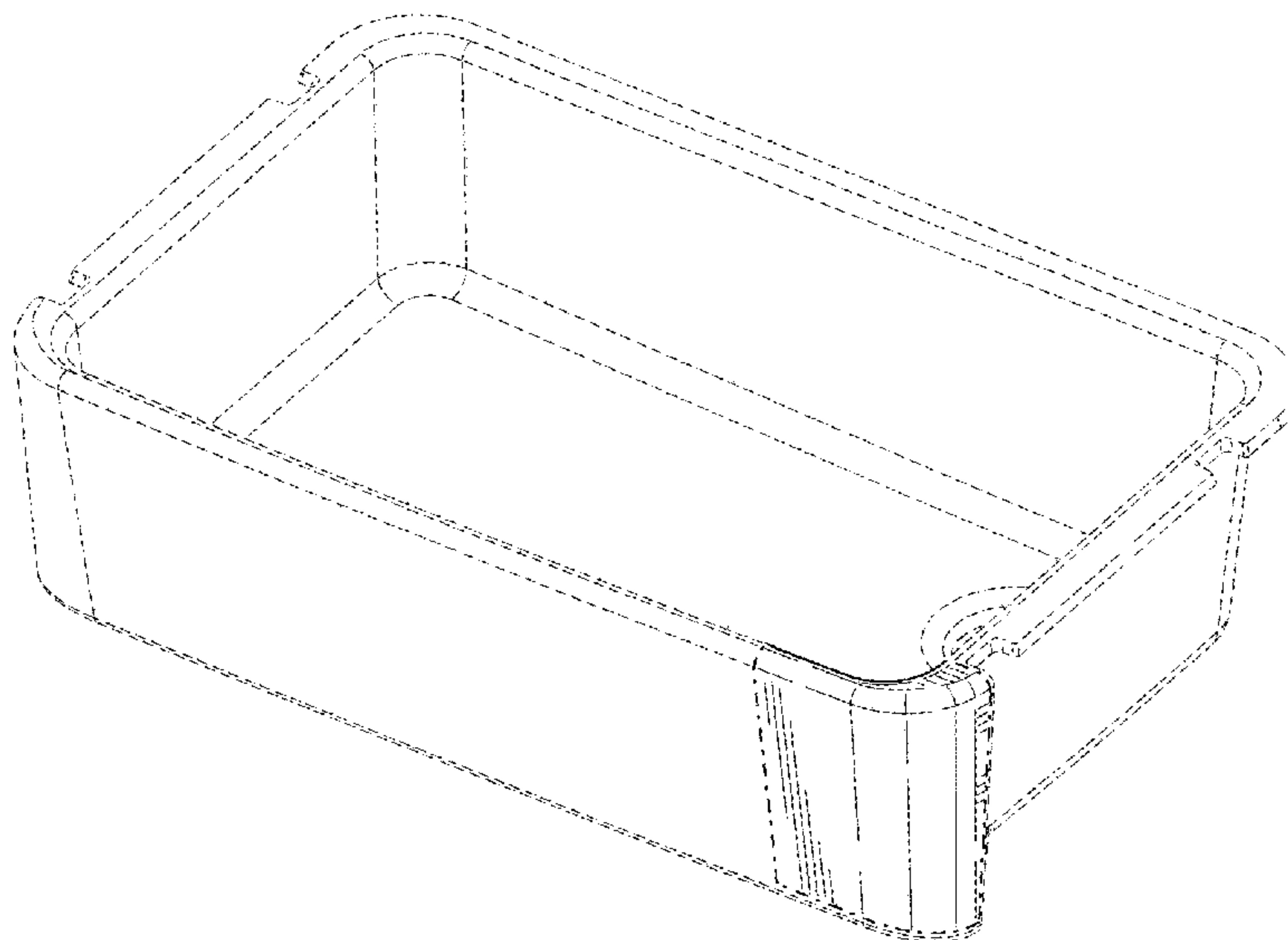
We claim the ornamental design for a sink, as shown and described.

**DESCRIPTION**

FIG. 1 is a front perspective view of the claimed design; FIG. 2 is a rear perspective view of the design of FIG. 1; FIG. 3 is a front view of the design of FIG. 1; FIG. 4 is a rear view of the design of FIG. 1; FIG. 5 is a side view of the design of FIG. 1; FIG. 6 is another side view of the design of FIG. 1; FIG. 7 is a top view of the design of FIG. 1; and, FIG. 8 is a bottom view of the design of FIG. 1.

The ornamental design which is claimed is shown in solid lines in the drawings. The broken lines in the drawings are for illustrative purposes only and form no part of the claimed design. Broken lines formed by equal length dashes show unclaimed subject matter. Broken lines formed by unequal length dashes (i.e., dash-dot) define bounds of the claimed design.

**1 Claim, 7 Drawing Sheets**



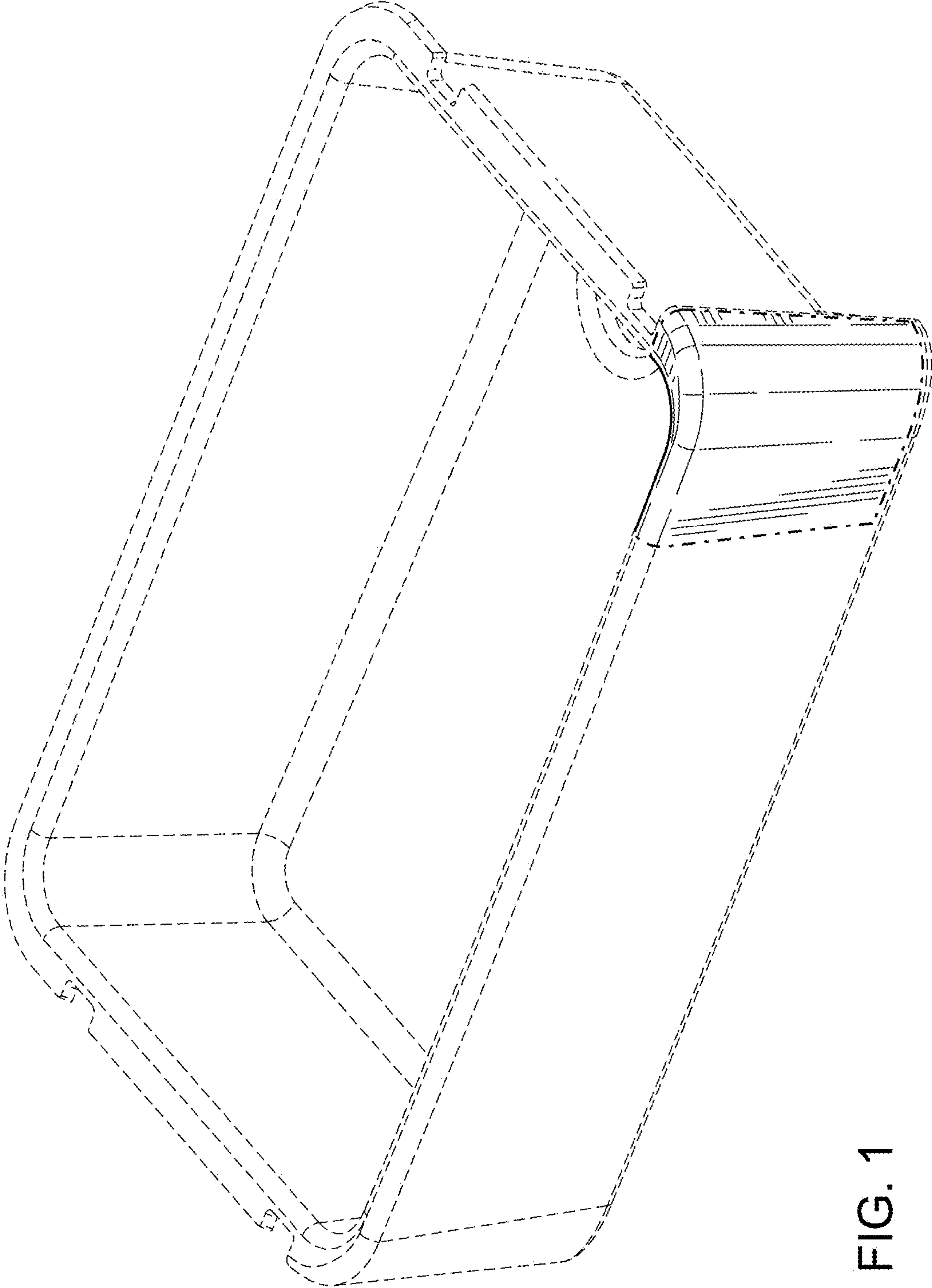


FIG. 1

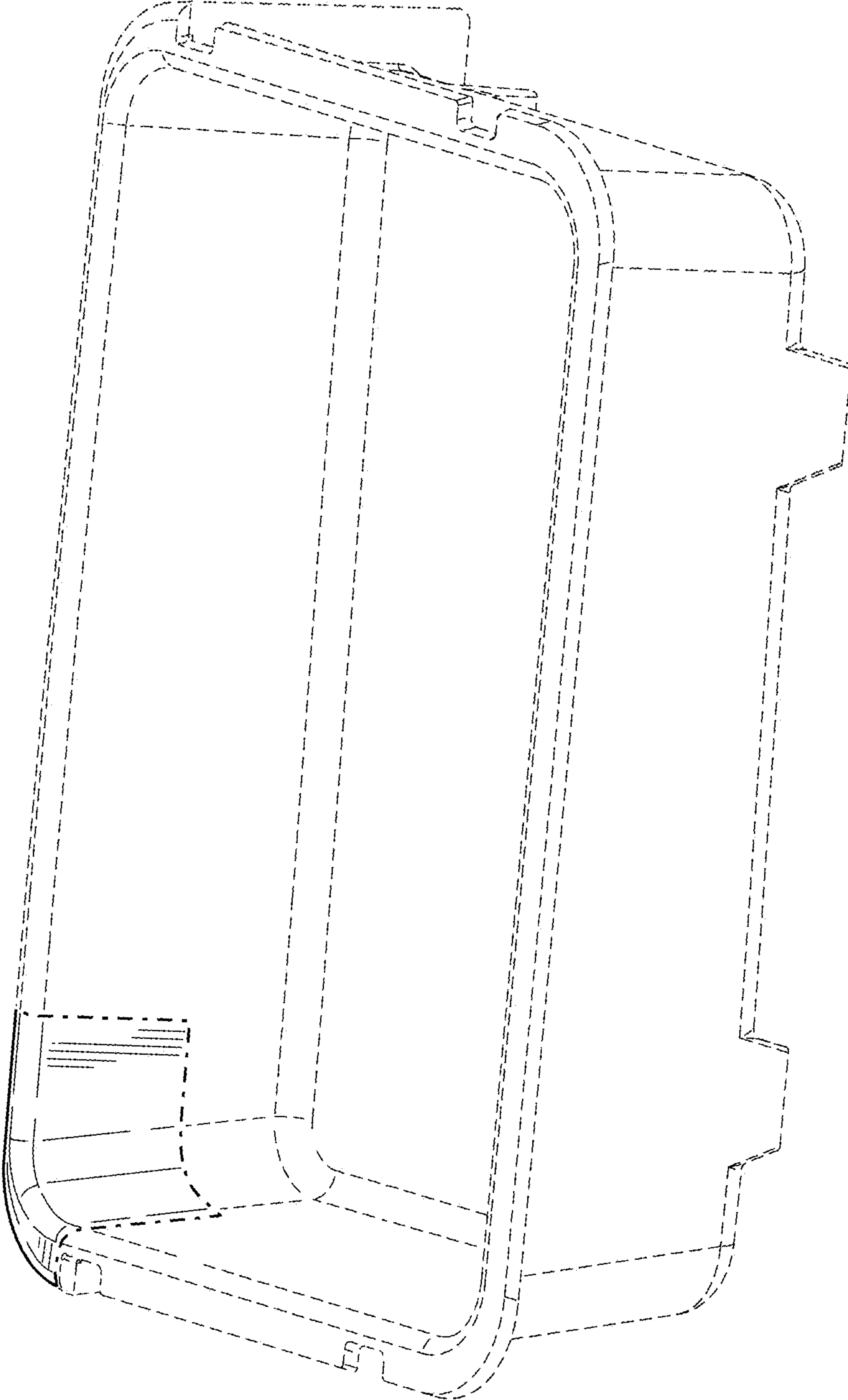


FIG. 2

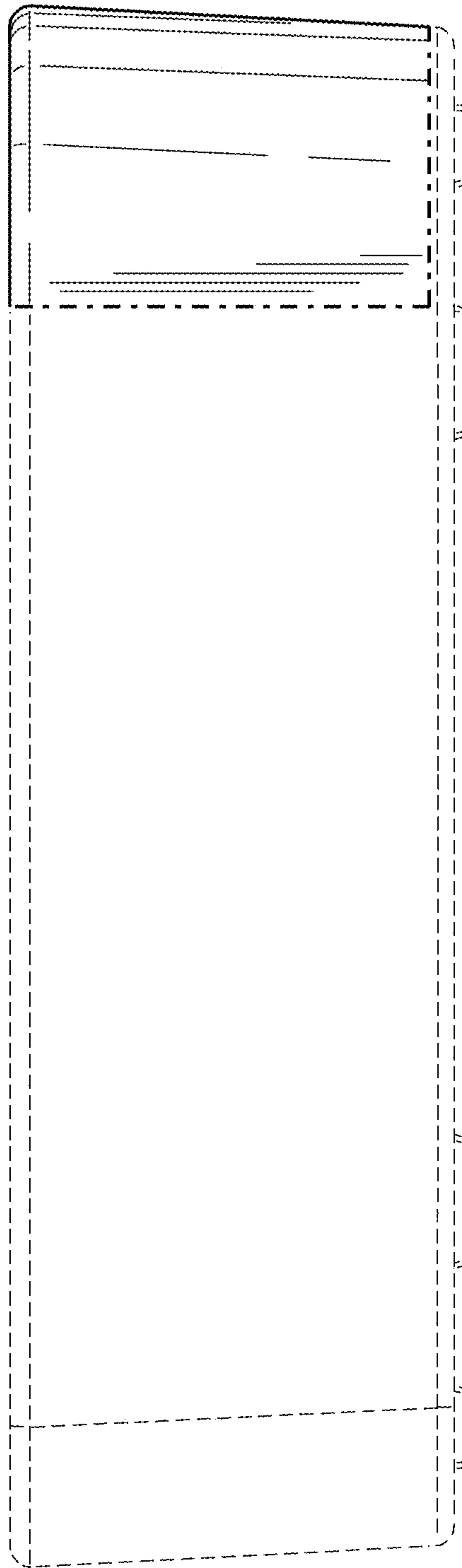


FIG. 3

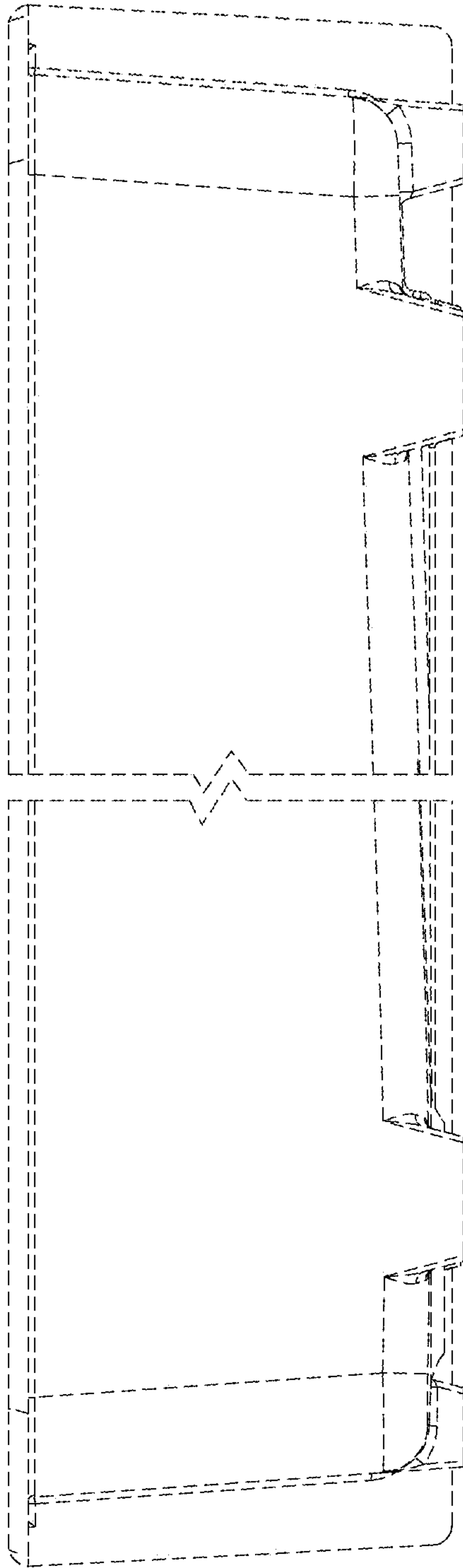


FIG. 4

FIG. 5

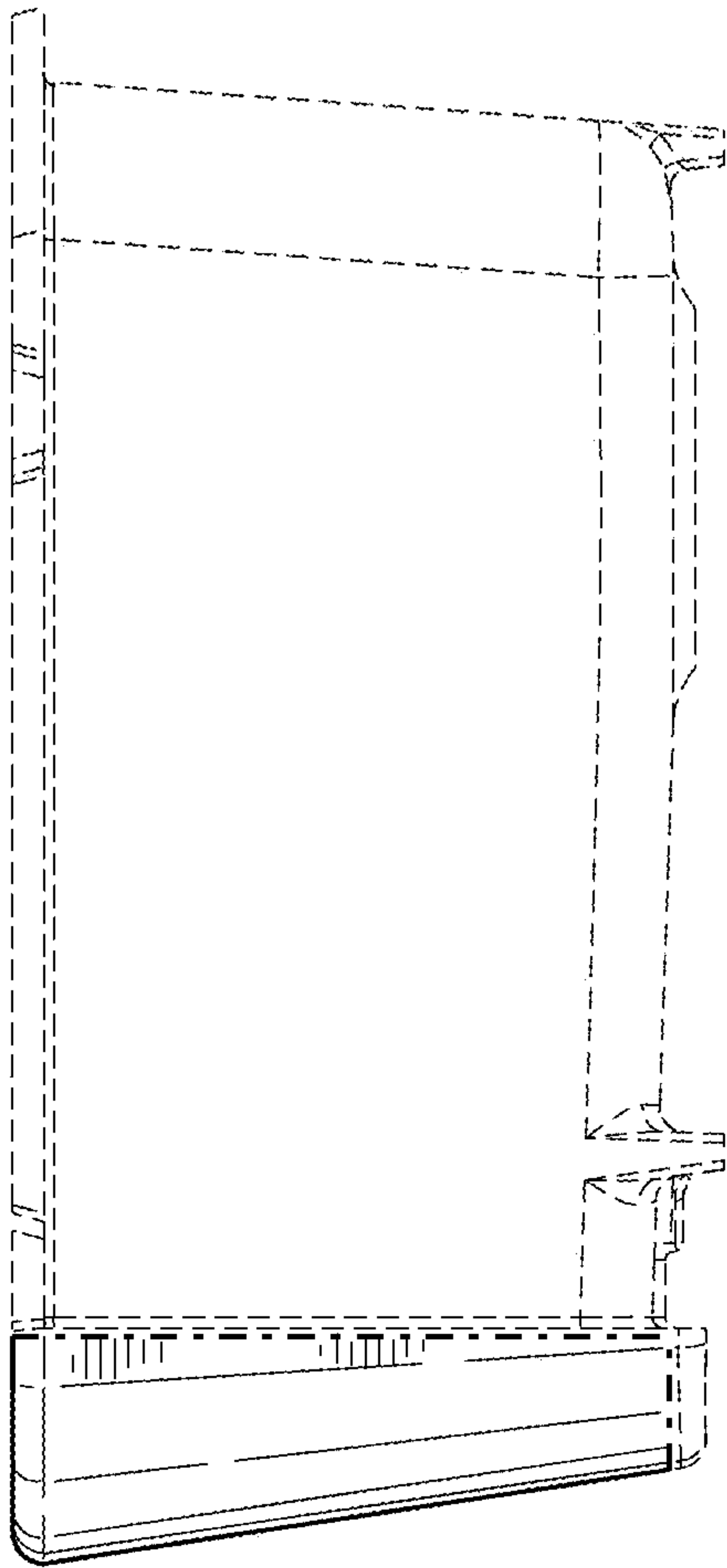
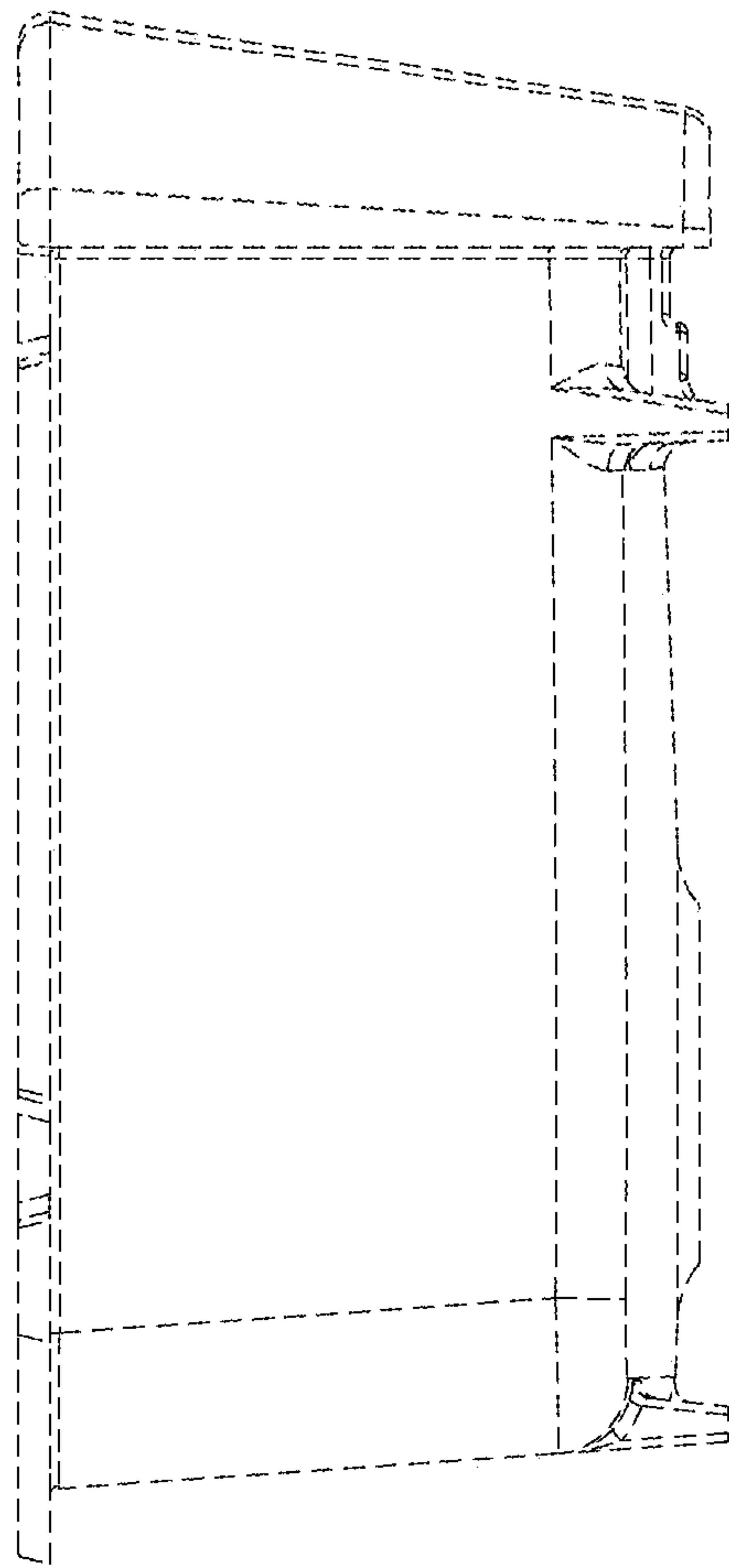


FIG. 6





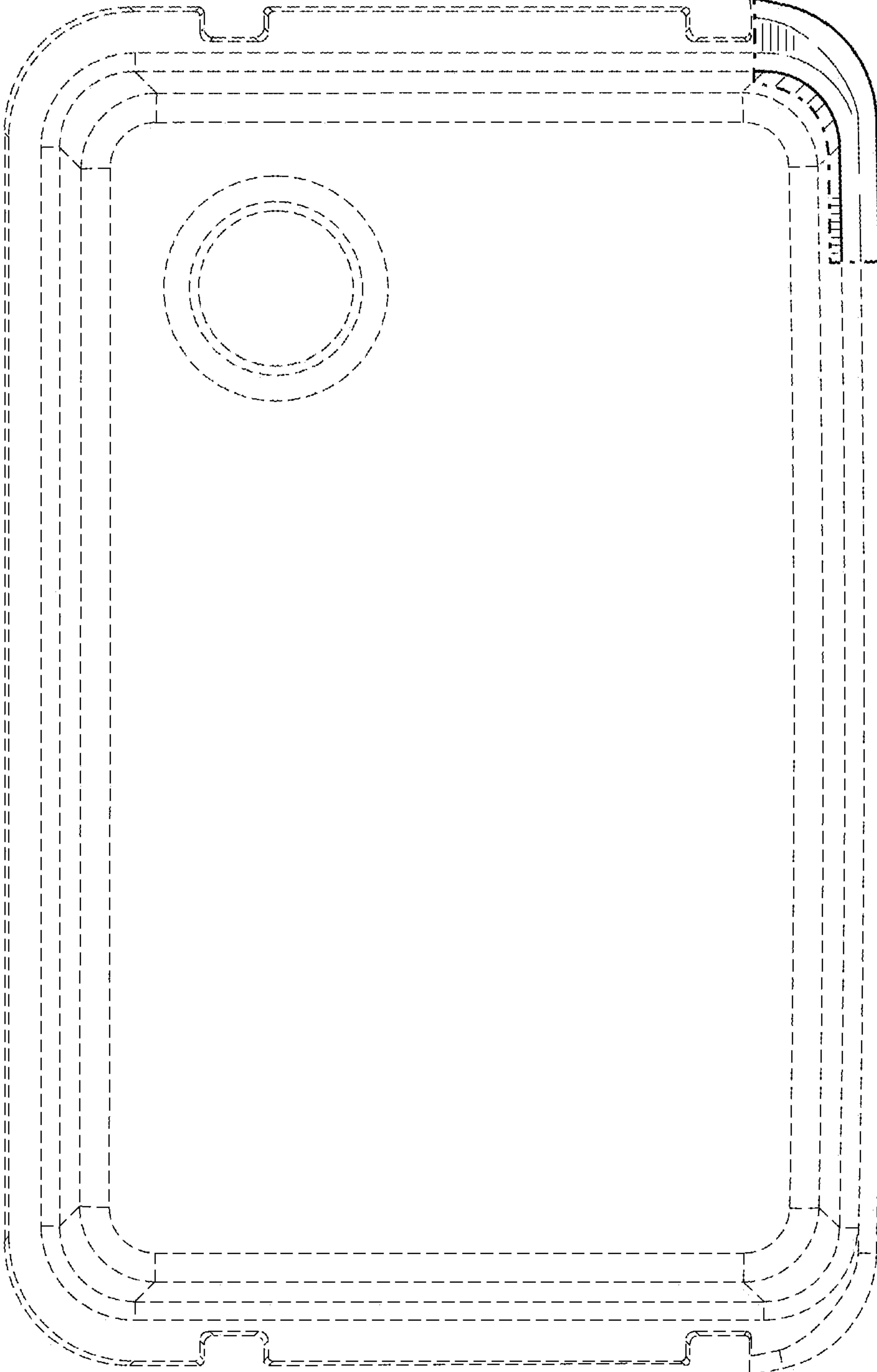


FIG. 7

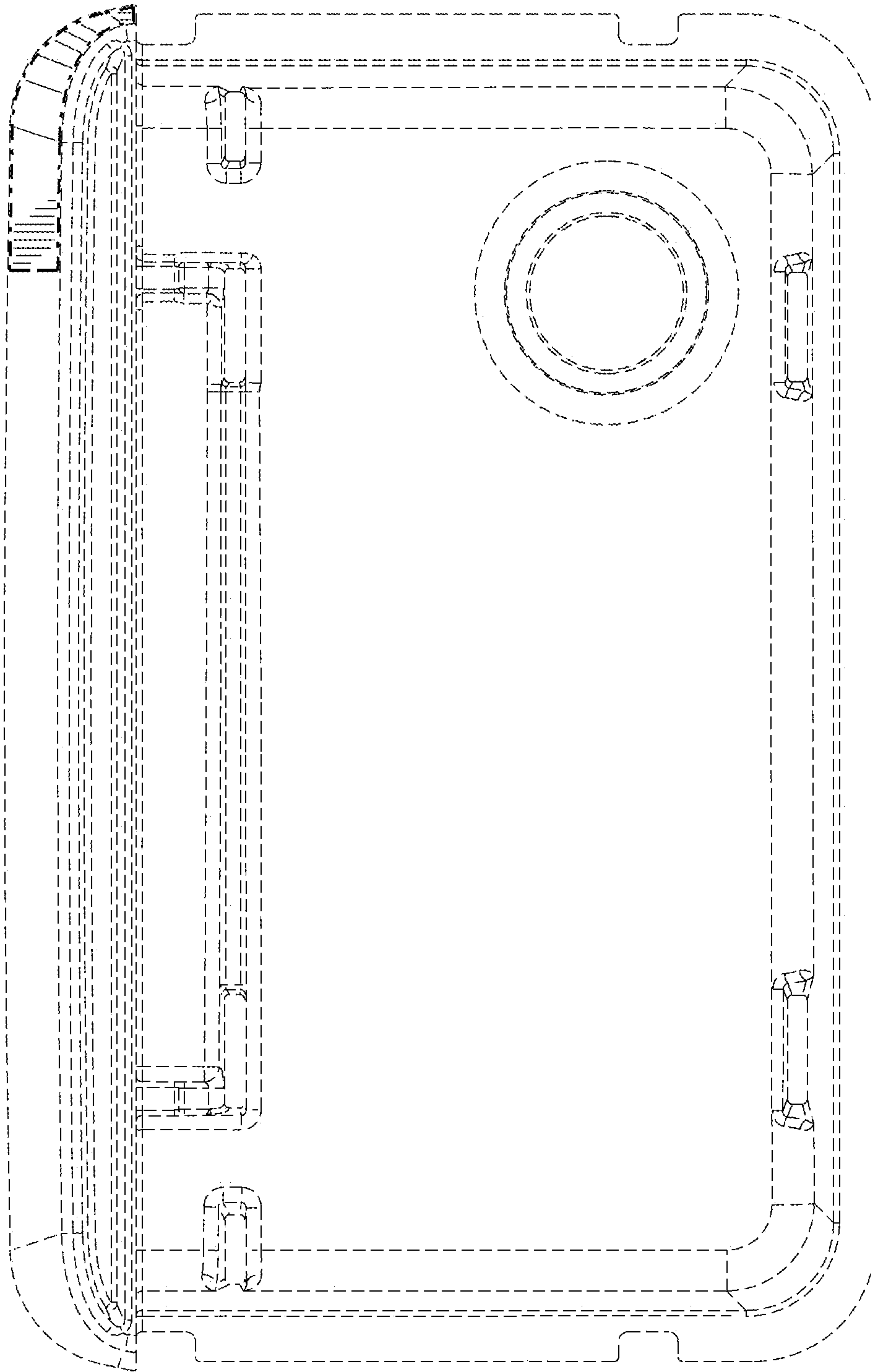


FIG. 8