



US00D954916S

(12) **United States Design Patent**
Sieger

(10) **Patent No.:** **US D954,916 S**
(45) **Date of Patent:** **** Jun. 14, 2022**

(54) **SHOWER HOLDER**
(71) Applicant: **ALOYS F. DORNBRACHT GmbH & Co. KG**, Iserlohn (DE)
(72) Inventor: **Michael Sieger**, Sassenberg (DE)
(73) Assignee: **Aloys F. Dornbracht GmbH & Co. KG**, Iserlohn (DE)

D426,290 S * 6/2000 Haug D23/304
6,123,308 A * 9/2000 Faisst E03C 1/066
248/316.1
D433,589 S * 11/2000 Haug D6/524
D443,347 S * 6/2001 Gottwald D23/304
D444,865 S * 7/2001 Gottwald D23/304
6,446,278 B1 * 9/2002 Lin E03C 1/06
4/615
D489,798 S * 5/2004 Hunt D23/304
D493,363 S * 7/2004 Eason D8/396
(Continued)

(**) Term: **15 Years**

(21) Appl. No.: **29/747,260**

(22) Filed: **Aug. 20, 2020**

(30) **Foreign Application Priority Data**

Mar. 6, 2020 (EP) 007736400-0003

(51) **LOC (13) Cl.** **23-06**
(52) **U.S. Cl.**
USPC **D23/304; D8/396**

(58) **Field of Classification Search**
USPC D8/373, 380, 382, 394, 396, 499;
D23/303, 304
CPC E03C 1/06; B05B 15/60; B05B 15/62;
B05B 15/63; B05B 15/65
See application file for complete search history.

(56) **References Cited**

U.S. PATENT DOCUMENTS

4,174,822 A * 11/1979 Larsson E03C 1/066
248/314
D296,582 S * 7/1988 Haug D23/304
D340,376 S * 10/1993 Klose D6/524
D341,007 S * 11/1993 Haug D23/223
D341,191 S * 11/1993 Klose D6/524
5,632,049 A * 5/1997 Chen E03C 1/066
248/124.2
D391,350 S * 2/1998 Gottwald D23/249
D403,754 S * 1/1999 Gottwald D23/304
D419,227 S * 1/2000 Ben-Tsur D23/304

OTHER PUBLICATIONS

“Moen 155694 Handshower Wall Bracket”, Feb. 2, 2011, Amazon.com, site visited Apr. 5, 2022: <https://www.amazon.com/Moen-155694-Handshower-Wall-Bracket/dp/B0052TVV2A> (Year: 2011).*
(Continued)

Primary Examiner — Jack Reickel
Assistant Examiner — Michael A Kervin
(74) *Attorney, Agent, or Firm* — Von Rohrscheidt Patents

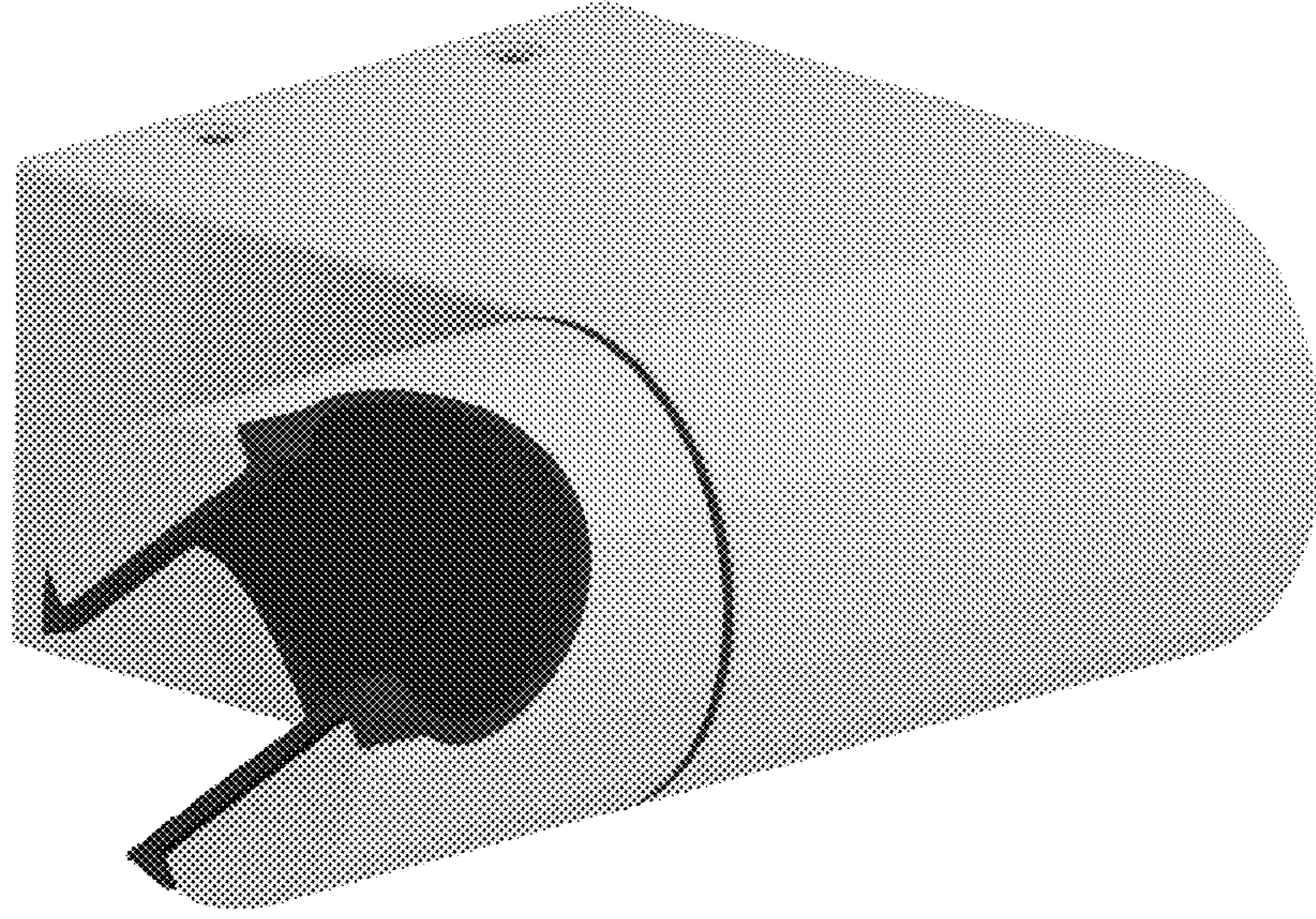
(57) **CLAIM**

The ornamental design for a shower holder, as shown and described.

DESCRIPTION

FIG. 1 illustrates a left side view of a shower holder showing the new design.
FIG. 2 illustrates a top view the shower holder in FIG. 1.
FIG. 3 illustrates a right side perspective view of the shower holder in FIG. 1.
FIG. 4 illustrates a left side perspective view of the shower holder in FIG. 1.
FIG. 5 illustrates a right side view of the shower holder in FIG. 1; and,
FIG. 6 illustrates a front view of the shower holder in FIG. 1.

1 Claim, 6 Drawing Sheets



(56)

References Cited

U.S. PATENT DOCUMENTS

D493,864	S *	8/2004	Haug	D6/524
D506,385	S *	6/2005	Brown	D8/394
D522,113	S *	5/2006	Chan	D23/304
D578,622	S *	10/2008	Kollmann	D23/304
D587,357	S *	2/2009	Hoernig	D23/304
D622,830	S *	8/2010	Barnard	D23/304
D695,880	S *	12/2013	Schoenherr	D23/304
D777,025	S *	1/2017	Turksu	D14/218
D832,412	S *	10/2018	Nikles	D23/304
D894,727	S *	9/2020	Filippini	D8/394
D923,143	S *	6/2021	Lin	D23/228
D925,017	S *	7/2021	Liu	D23/304
D936,791	S *	11/2021	Seum	D23/228
D942,599	S *	2/2022	Cocks	D23/304
2006/0242759	A1 *	11/2006	Tsai	E03C 1/06 4/605
2008/0022450	A1 *	1/2008	Tsai	B05B 15/62 4/570
2009/0265848	A1 *	10/2009	Tsai	E03C 1/066 4/615
2009/0308998	A1 *	12/2009	Felmeri	E03C 1/06 248/314
2020/0332505	A1 *	10/2020	Ling	E03C 1/06

OTHER PUBLICATIONS

“Uxcell Hand Held Shower Bracket”, Jul. 26, 2019, Amazon.com, site visited Apr. 5, 2022: <https://www.amazon.com/dp/B07VLMXMZY> (Year: 2011).*

* cited by examiner



FIG. 1

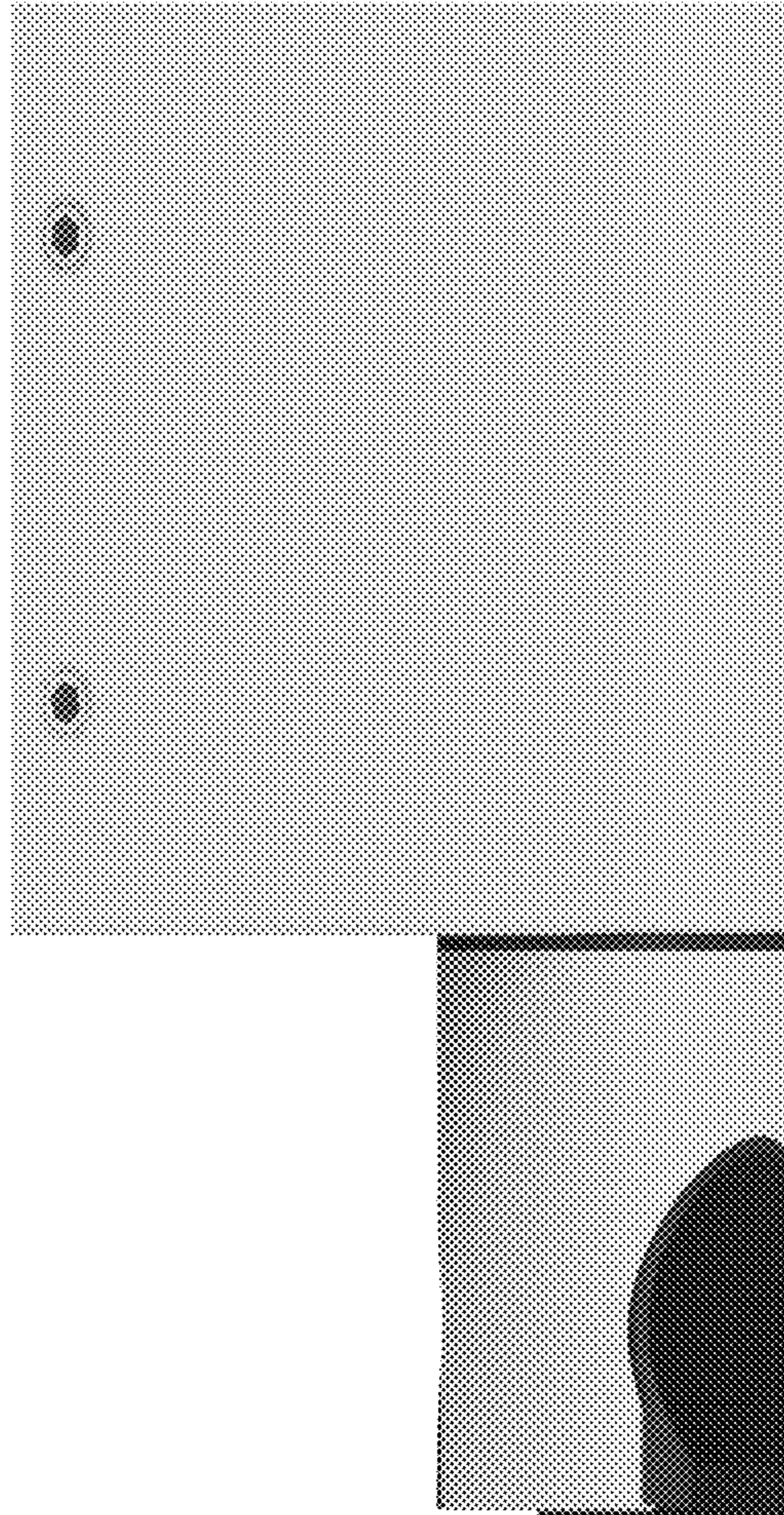


FIG. 2

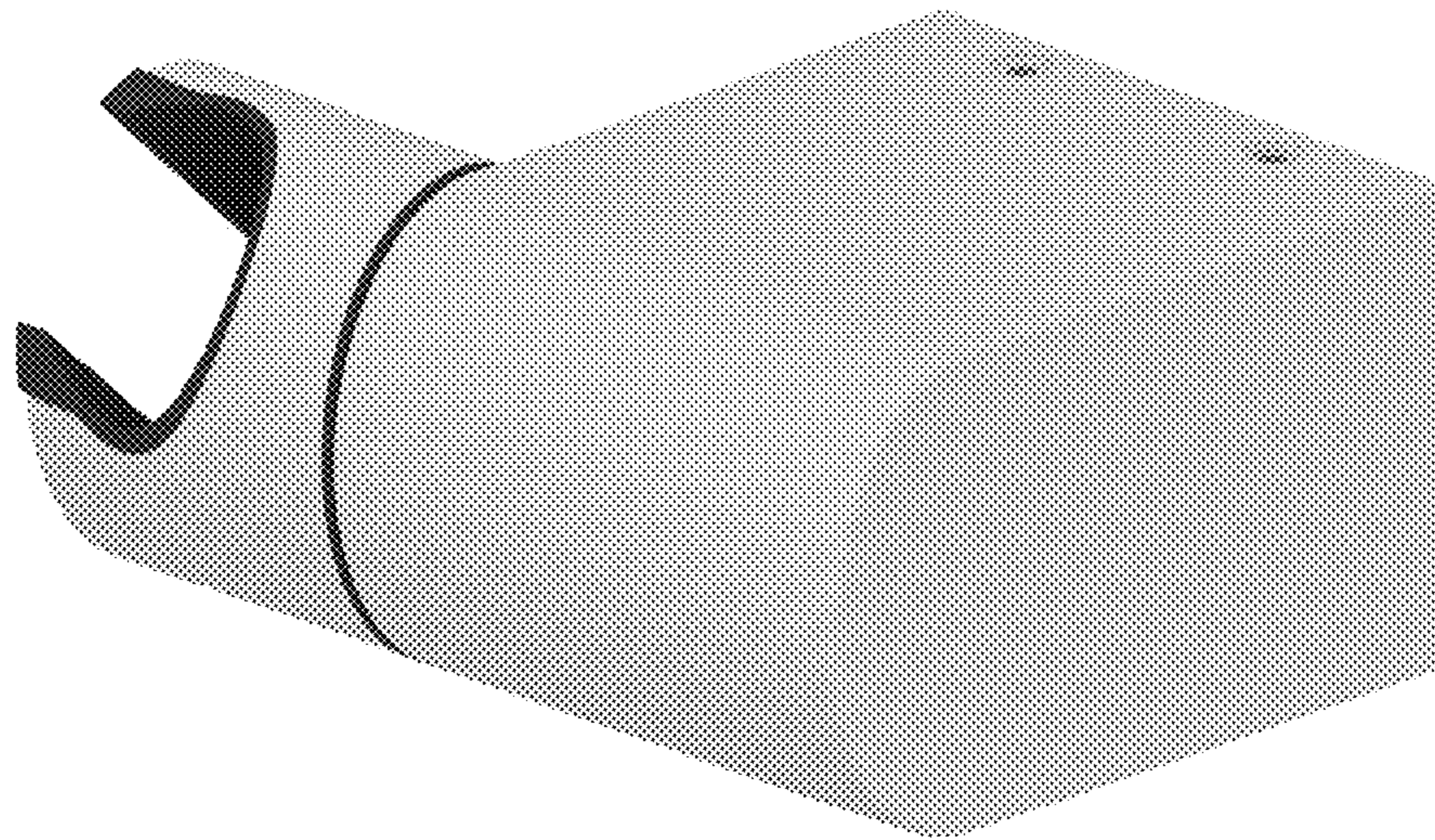


FIG. 3

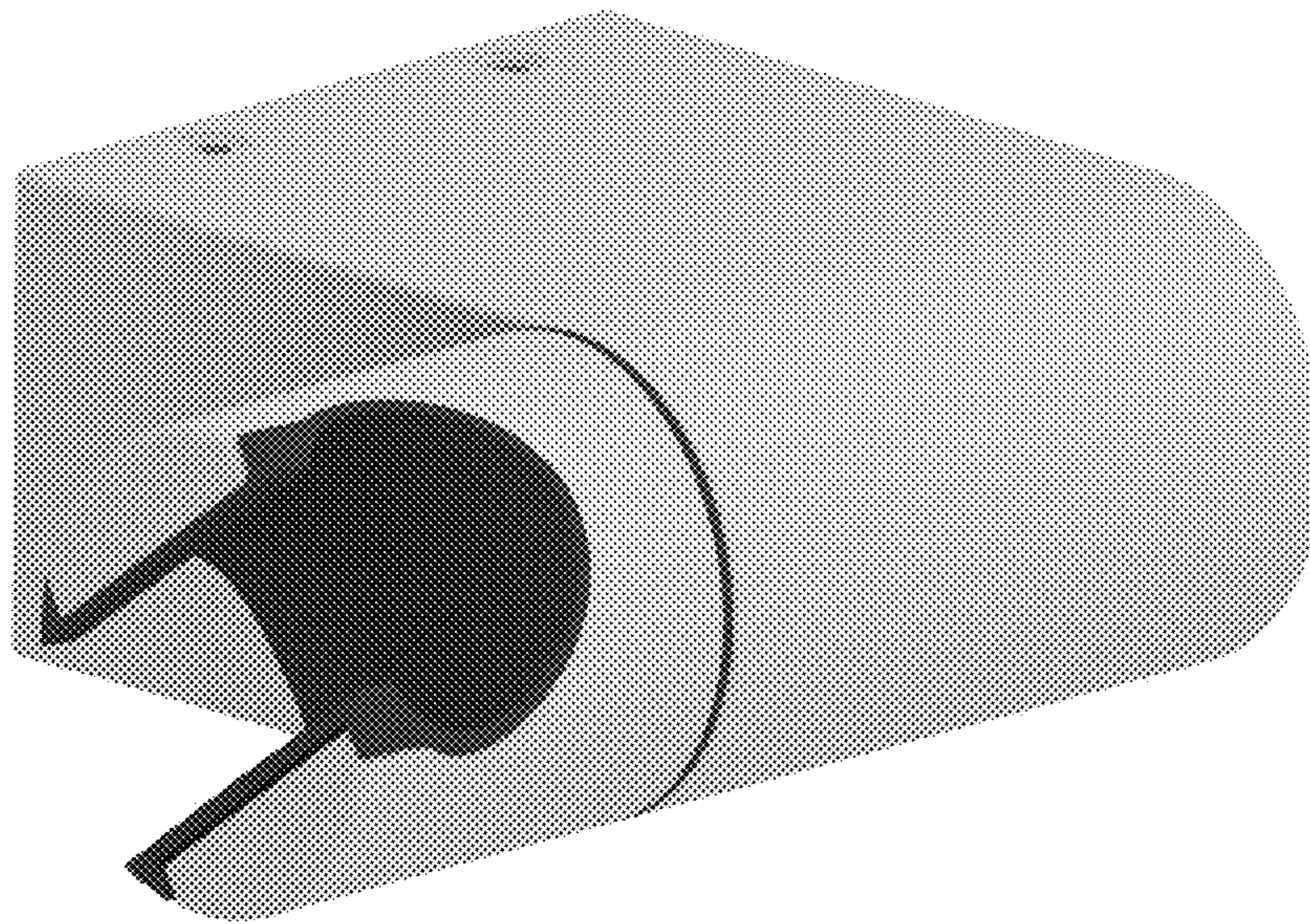


FIG. 4

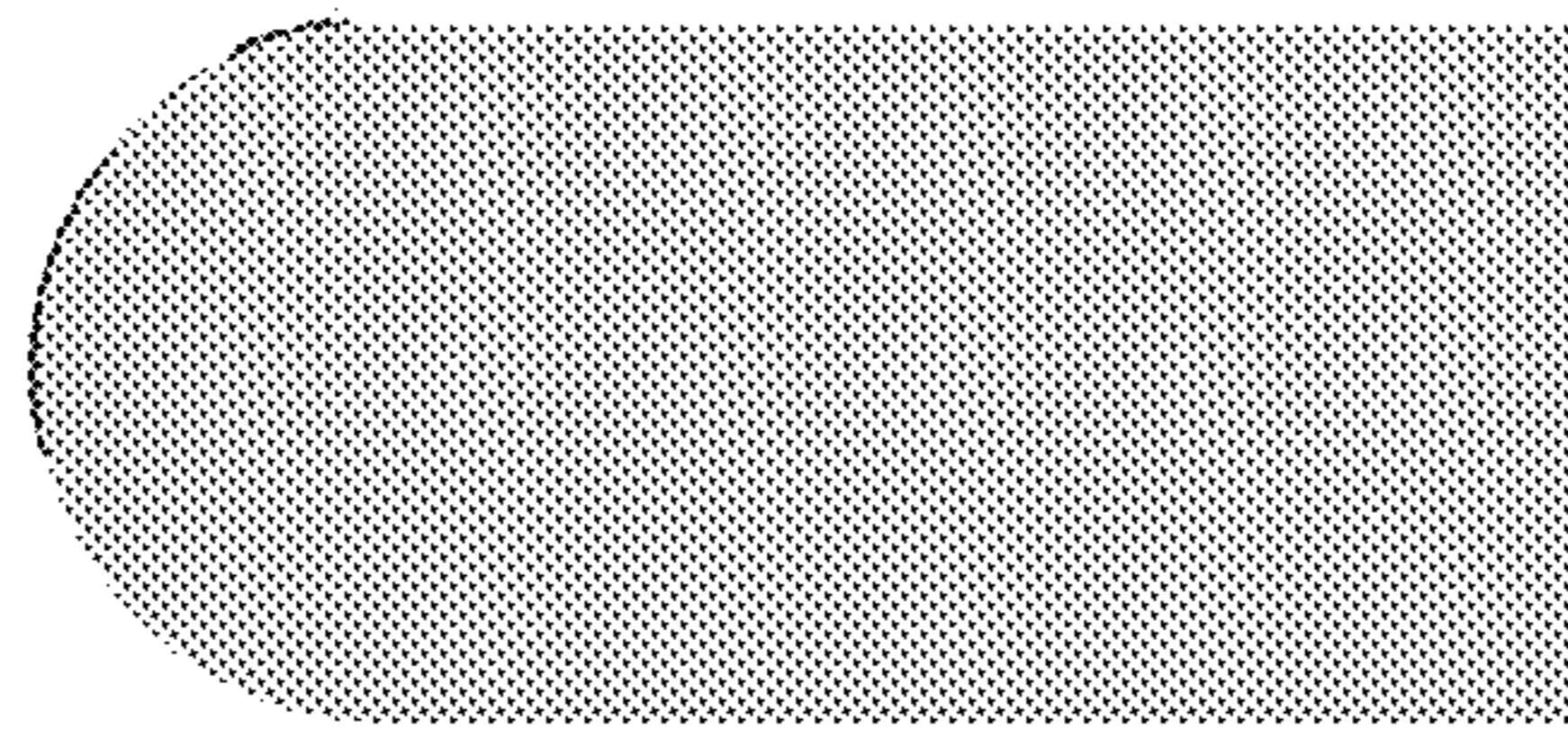


FIG. 5

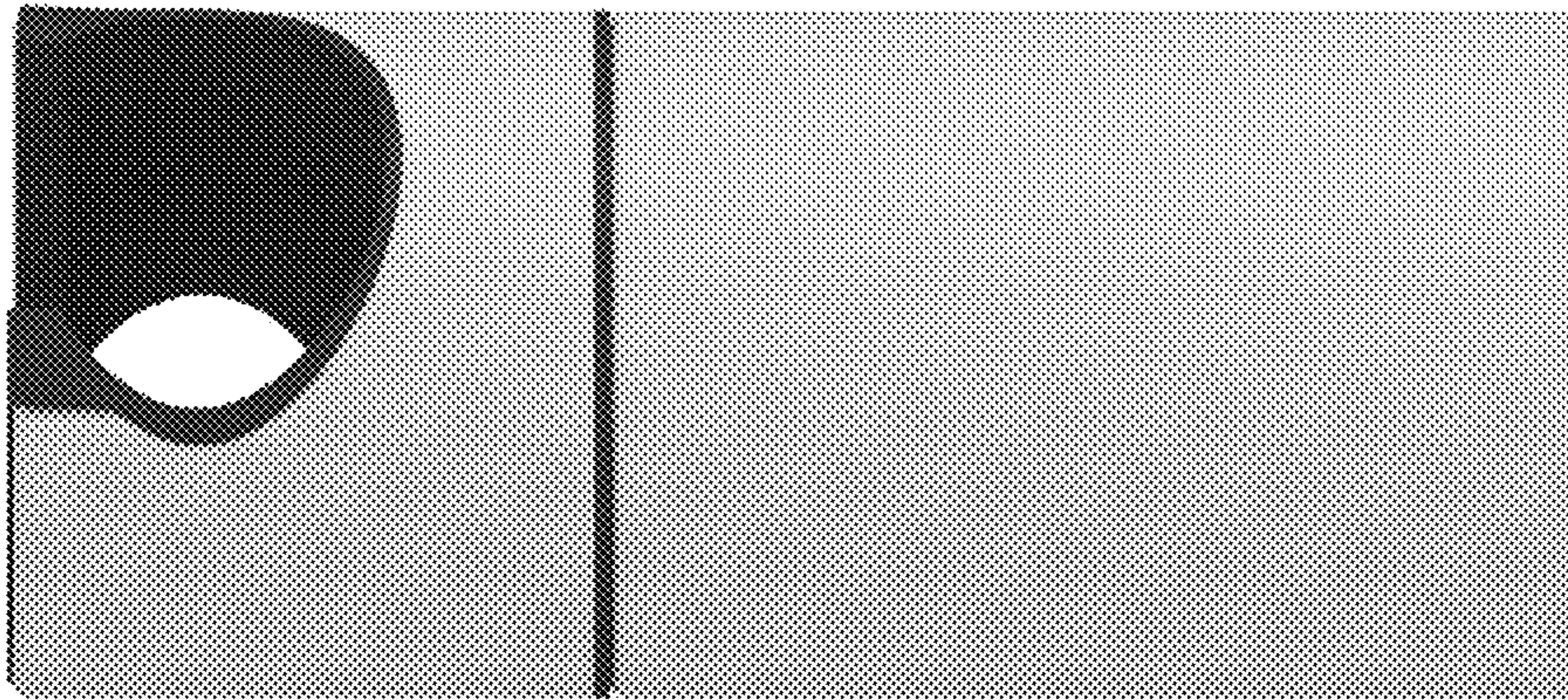


FIG. 6