



US00D954915S

(12) **United States Design Patent**  
**Cook**

(10) **Patent No.:** **US D954,915 S**  
(45) **Date of Patent:** **\*\* Jun. 14, 2022**

(54) **SHOWER PAN**

(71) Applicant: **Tile Redi, LLC**, Coral Springs, FL (US)

(72) Inventor: **Joseph R. Cook**, Parkland, FL (US)

(73) Assignee: **Tile Redi, LLC**, Charlotte, NC (US)

(\*\*) Term: **15 Years**

(21) Appl. No.: **29/695,805**

(22) Filed: **Jun. 21, 2019**

(51) **LOC (13) Cl.** ..... **23-02**

(52) **U.S. Cl.**  
USPC ..... **D23/304**

(58) **Field of Classification Search**  
USPC ..... D23/283, 303-304, 261  
See application file for complete search history.

(56) **References Cited**

**U.S. PATENT DOCUMENTS**

5,004,534	A *	4/1991	Buzzelli	.....	B01D 21/0048 210/164
D544,585	S *	6/2007	Lebrun	.....	D23/283
D596,722	S *	7/2009	Hisey	.....	D23/304
D609,316	S *	2/2010	Hisey	.....	D23/304
D613,839	S *	4/2010	Hisey	.....	D23/304
D667,938	S *	9/2012	Cunningham	.....	D23/283
8,474,069	B1 *	7/2013	Whitinger	.....	E03F 5/0408 4/613
D687,524	S *	8/2013	Heiser	.....	D23/261
8,857,109	B1 *	10/2014	Kirby	.....	A47K 3/40 52/34
D721,795	S *	1/2015	Bernoti	.....	D23/260
9,127,446	B2 *	9/2015	Schlueter	.....	E03F 5/0408
9,334,638	B1 *	5/2016	Kirby	.....	E03F 5/0408
D784,501	S *	4/2017	Pham	.....	D23/304
D792,954	S *	7/2017	Sander	.....	D23/304

(Continued)

**OTHER PUBLICATIONS**

Juno 24 Inch Rectangular Grate Linear Drain For Shower: <https://www.junoshowers.com/juno-24-inch-linear-drain-for-shower-with-shower-drain-base-grate-cover.html> (Year: 2021).\*

*Primary Examiner* — Robert A Delehanty

(74) *Attorney, Agent, or Firm* — Moore & Van Allen PLLC

(57) **CLAIM**

The ornamental design for a shower pan, as shown and described.

**DESCRIPTION**

FIG. 1 is a top plan view showing a first embodiment of the new design. The bottom of the article is flat and devoid of surface ornamentation, and is therefore not shown.

FIG. 2 is a top left perspective view thereof.

FIG. 3 is an enlarged fragmentary view of a portion of the design. The double lines surrounding the drain gate and defining the opening in the floor shown in the enlargement of FIG. 3 do not appear in FIGS. 1 and 2.

FIG. 4 is a top plan view showing a second embodiment of the new design. The bottom of the article is flat and devoid of surface ornamentation, and is therefore not shown.

FIG. 5 is a top left perspective view thereof; and,

FIG. 6 is an enlarged fragmentary view of a portion of the design. The double object lines surrounding the drain gate and defining the opening in the floor shown in the enlargement of FIG. 6 do not appear in FIGS. 4 and 5.

The front, back, left and right-side elevational views of the article are flat and devoid of surface ornamentation, and are therefore not shown.

The broken lines shown in the drawings represent unclaimed portions of the shower pan and form no part of the claimed design.

**1 Claim, 4 Drawing Sheets**



(56)

**References Cited**

U.S. PATENT DOCUMENTS

D843,550	S *	3/2019	Oatey .....	D23/261
D846,091	S *	4/2019	Keizers .....	D23/261
D849,210	S *	5/2019	Keizers .....	D23/261
D875,226	S *	2/2020	Rocandio Mazagatos ..	D23/304
D909,544	S *	2/2021	Pohl .....	D23/261
D915,565	S *	4/2021	Meyers .....	D23/261
D922,551	S *	6/2021	Bucher .....	D23/304
2006/0239773	A1 *	10/2006	Meyers .....	E03F 3/046
				404/2
2011/0061161	A1 *	3/2011	Erlebach .....	E03F 5/0408
				4/679
2011/0088161	A1 *	4/2011	Stimpson .....	A47K 3/40
				4/613
2011/0162137	A1 *	7/2011	Kik, Sr. ....	E03F 3/046
				4/613
2011/0197355	A1 *	8/2011	Lemire .....	E03F 5/0408
				4/613
2018/0038091	A1 *	2/2018	Ismert .....	E03F 5/0408
2020/0352397	A1 *	11/2020	Sandell .....	A47K 3/40
2021/0040721	A1 *	2/2021	Larson .....	E03F 5/0408
2021/0115655	A1 *	4/2021	Brill .....	E03F 5/0408

\* cited by examiner



Fig. 1

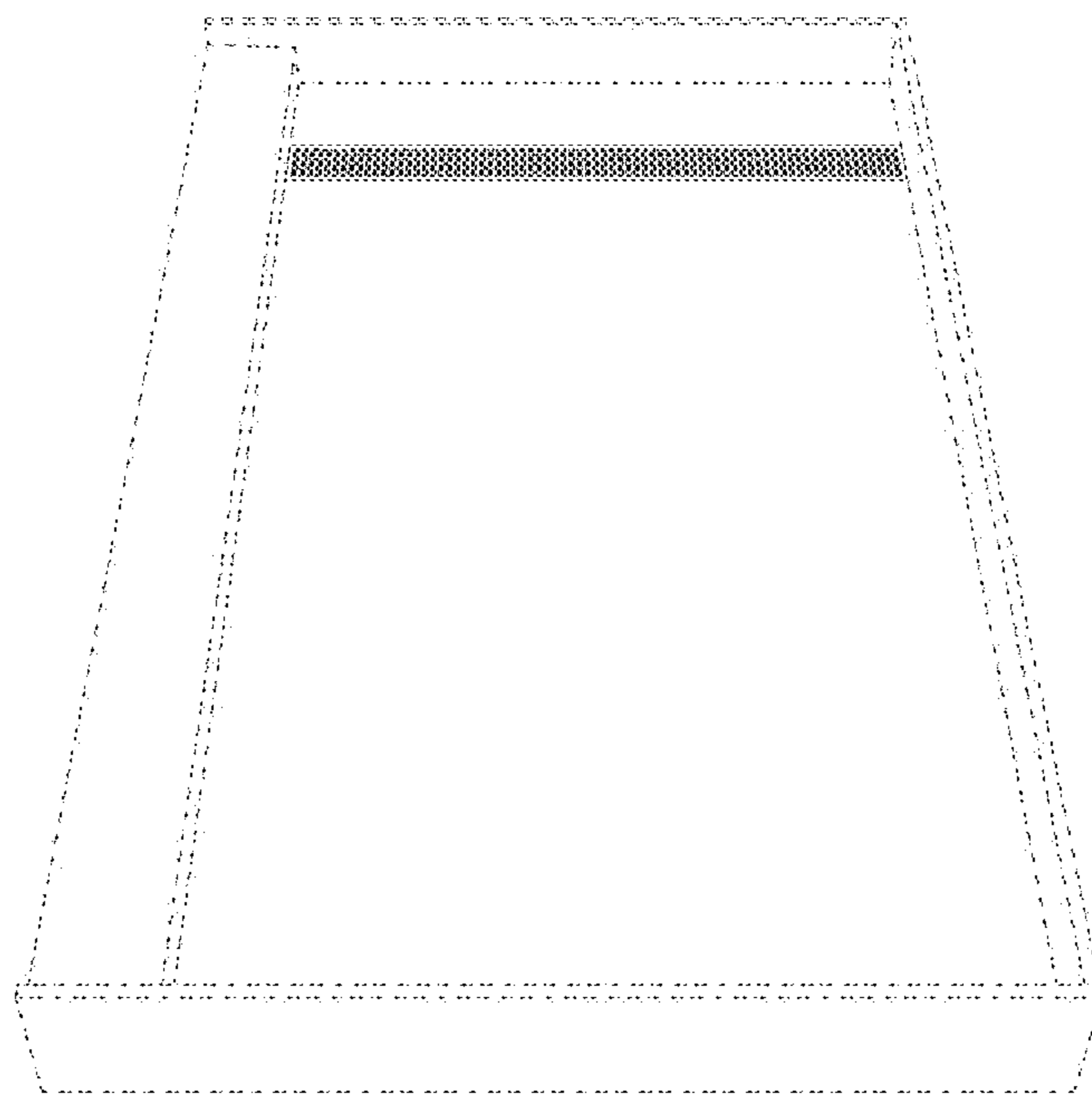


Fig. 2

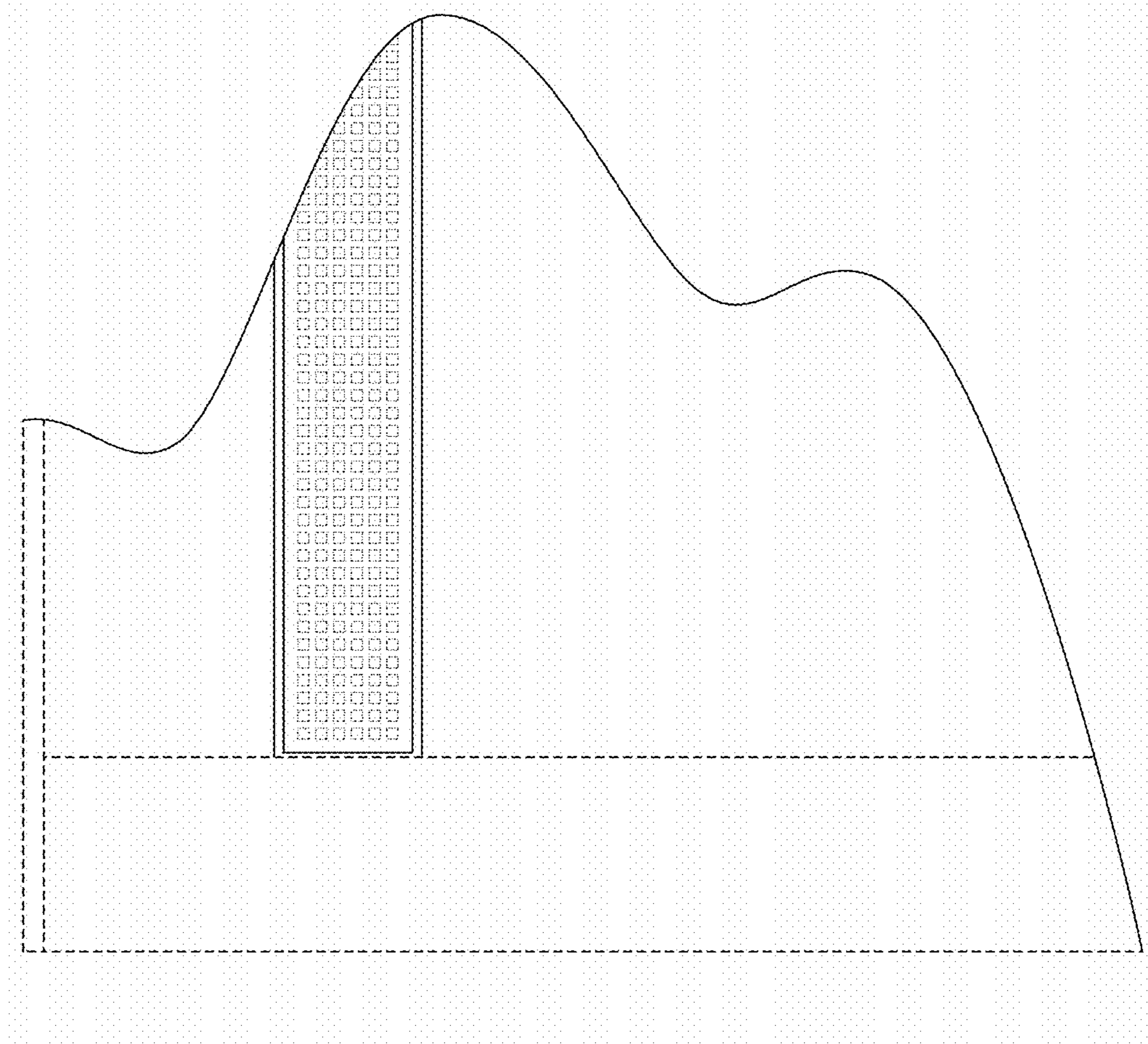


Fig. 3



Fig. 4

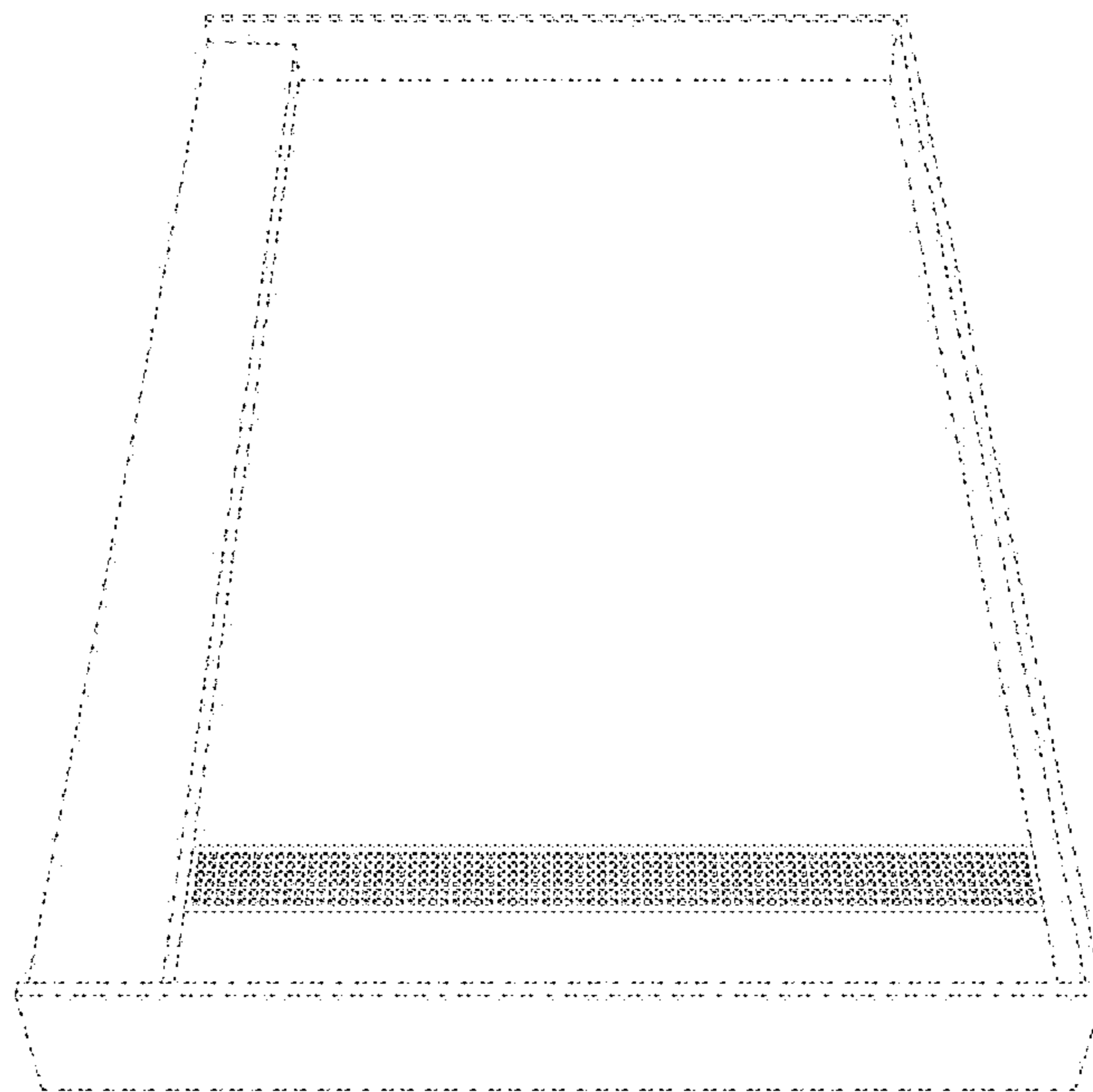


Fig. 5

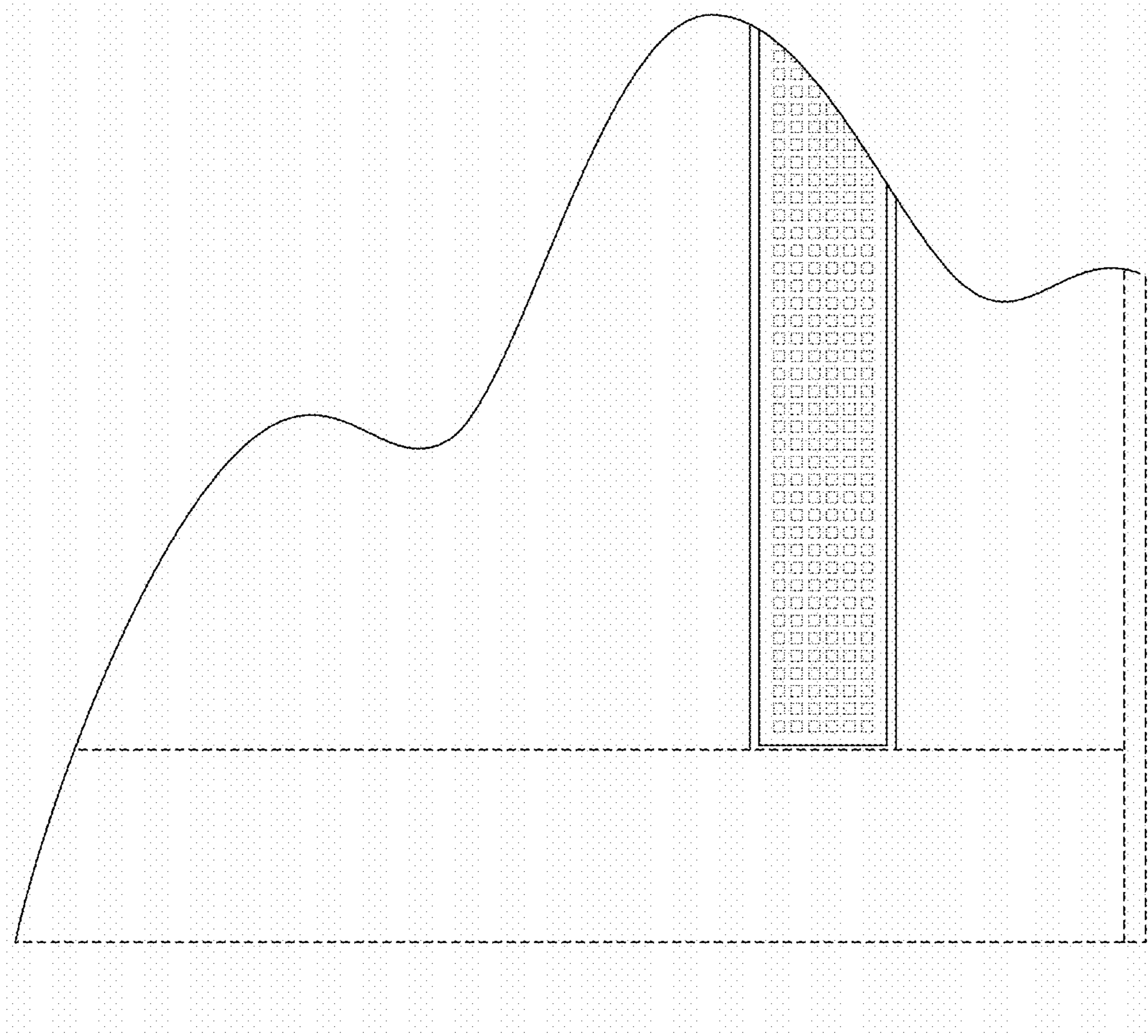


Fig. 6

UNITED STATES PATENT AND TRADEMARK OFFICE  
**CERTIFICATE OF CORRECTION**

PATENT NO. : D954,915 S  
APPLICATION NO. : 29/695805  
DATED : June 14, 2022  
INVENTOR(S) : Joseph R. Cook

Page 1 of 1

It is certified that error appears in the above-identified patent and that said Letters Patent is hereby corrected as shown below:

On the Title Page

In the Description

Line 2 of Fig. 3 description should read:  
design. The double lines surrounding the drain grate and

Line 2 of Fig. 6 description should read:  
design. The double lines surrounding the drain grate

Line 1 of the broken lines statement should read:  
The broken lines in the drawings represent unclaimed

Signed and Sealed this  
Eleventh Day of April, 2023  
*Katherine Kelly Vidal*

Katherine Kelly Vidal  
*Director of the United States Patent and Trademark Office*