



US00D954914S

(12) **United States Design Patent** (10) **Patent No.:** **US D954,914 S**  
**Downie et al.** (45) **Date of Patent:** **\*\* Jun. 14, 2022**

(54) **BODY AND CANISTER FOR MAGNETIC FILTER**

(71) Applicant: **Adey Holdings (2008) Limited**,  
Cheltenham (GB)

(72) Inventors: **Simon Downie**, Cheltenham (GB);  
**Alan Ferry**, Cheltenham (GB);  
**Kashem Pathan**, Cheltenham (GB)

(73) Assignee: **ADEY HOLDINGS (2008) LIMITED**,  
Cheltenham (GB)

(\*\*) Term: **15 Years**

(21) Appl. No.: **29/701,056**

(22) Filed: **Aug. 8, 2019**

(30) **Foreign Application Priority Data**

Feb. 26, 2019 (GB) ..... 6055432

(51) **LOC (13) Cl.** ..... **23-01**

(52) **U.S. Cl.**  
USPC ..... **D23/259**; D23/209

(58) **Field of Classification Search**

USPC ..... D23/200, 206–209, 233–237, 259,  
D23/322–323, 213, 230–232, 245, 365,  
D23/262–263, 266, 268, 231–232, 265;  
210/222–223; 209/39; D13/147;  
138/26, 30; 285/9.1, 129.1, 133.11,  
285/207.5, 208, 210, 213  
CPC ... F28F 23/02; F28F 2250/08; F16L 2201/30;  
F16L 25/00; F16L 55/04; F16K 51/36;  
F16K 1/42; F16K 7/17; B01D 27/08;  
B01D 24/10; B01D 33/50; B05B 1/18;  
C02F 1/003; E03C 1/02

See application file for complete search history.

(56) **References Cited**

U.S. PATENT DOCUMENTS

2,317,774	A *	4/1943	Aninga .....	B03C 1/28 210/222
D236,264	S *	8/1975	Taylor .....	D23/207
D786,399	S *	5/2017	Brixius .....	D23/209
D788,263	S *	5/2017	Brixius .....	D23/209
D835,232	S *	12/2018	Adey .....	D23/209
D852,321	S *	6/2019	Downie .....	D23/209
D852,322	S *	6/2019	Downie .....	D23/209
10,352,463	B2 *	7/2019	Forrestal .....	G05D 23/1346
2014/0367340	A1 *	12/2014	Caleffi .....	B01D 35/06 210/695
2017/0030384	A1 *	2/2017	Pastori .....	B01D 35/306
2020/0179943	A1 *	6/2020	Downie .....	B03C 1/286
2021/0260509	A1 *	8/2021	Bertolotti .....	B01D 35/06

\* cited by examiner

*Primary Examiner* — Amy V Wierenga

(74) *Attorney, Agent, or Firm* — Jacob M. Ward; Ward  
Law Office LLC

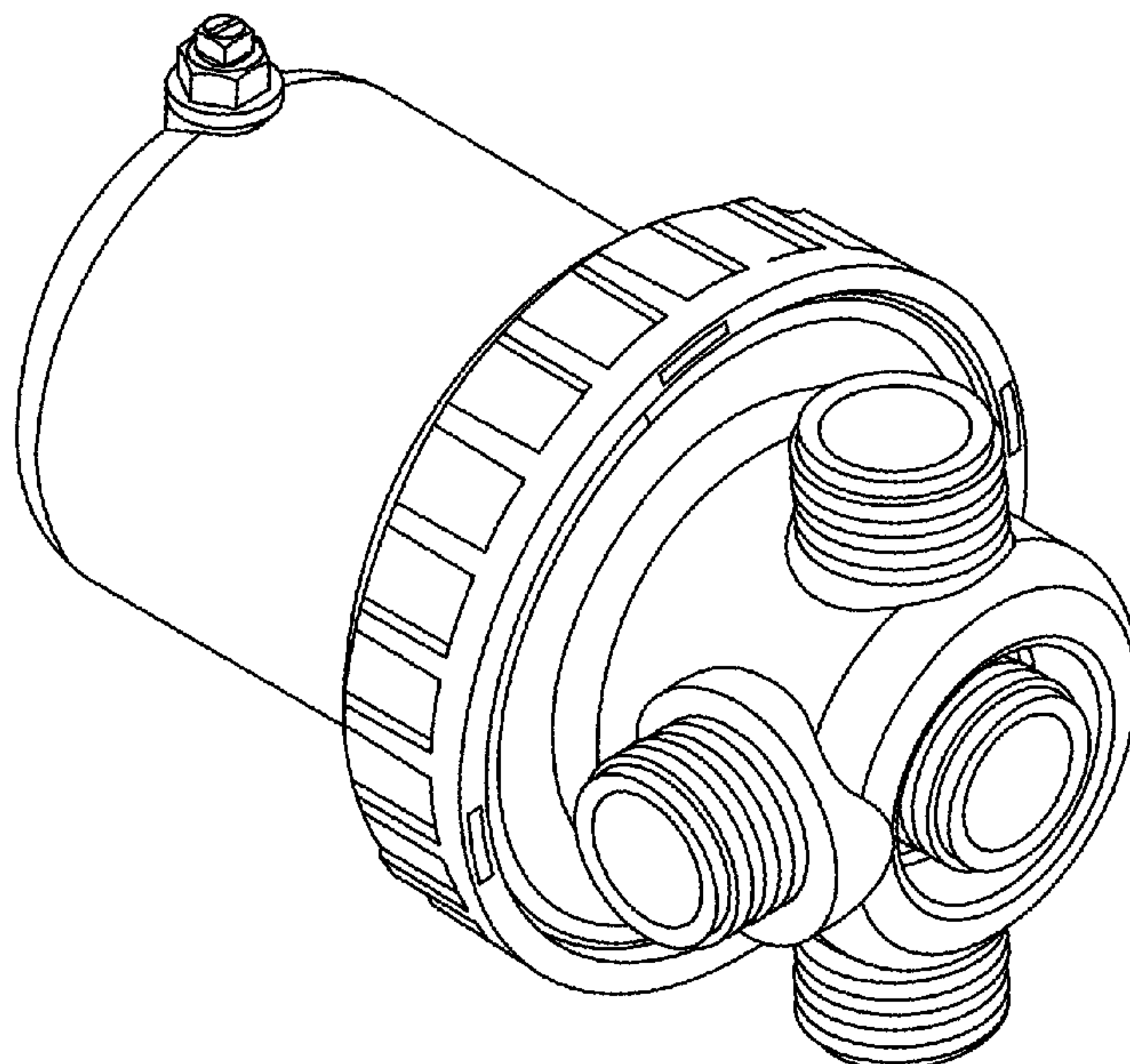
(57) **CLAIM**

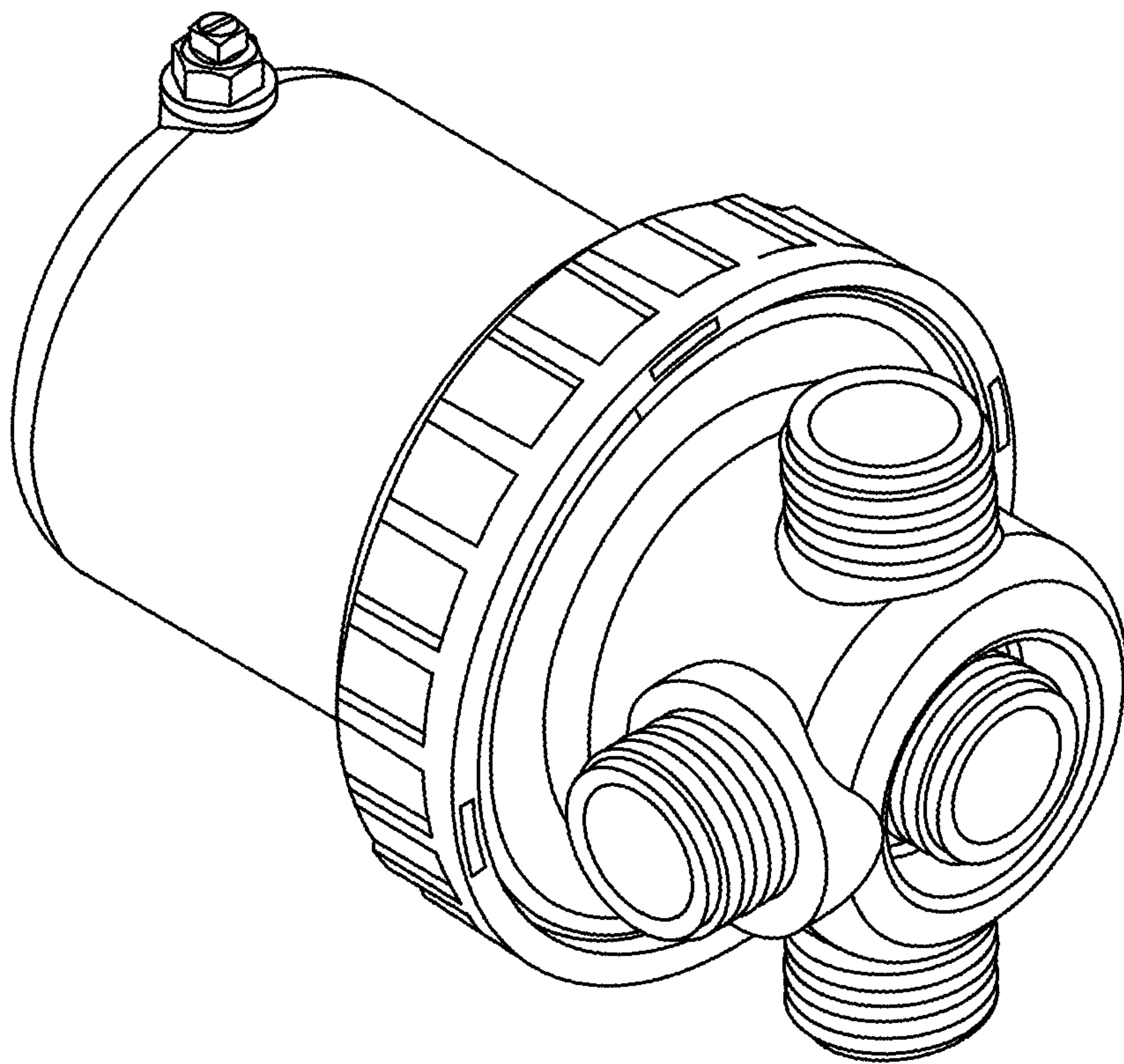
The ornamental design for a body and canister for magnetic filter, as shown and described.

**DESCRIPTION**

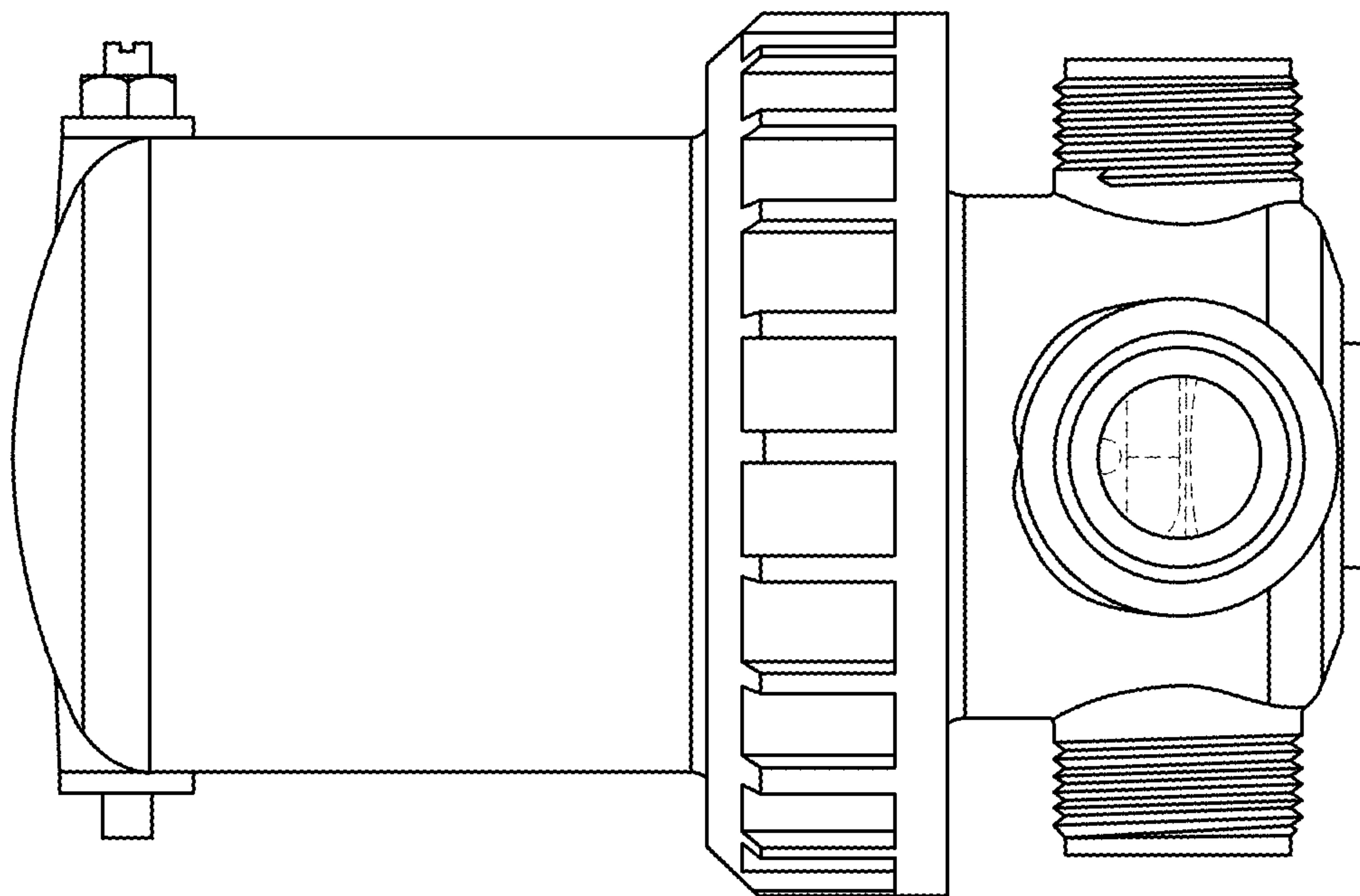
FIG. 1 is a top perspective view of a body and canister for magnetic filter;  
 FIG. 2 is a left side elevational view of the body and canister for magnetic filter shown in FIG. 1;  
 FIG. 3 is a right side elevational view thereof;  
 FIG. 4 is a rear elevational view thereof;  
 FIG. 5 is a front elevational view thereof;  
 FIG. 6 is a bottom plan view thereof; and,  
 FIG. 7 is a top plan view thereof.  
 The dashed broken lines depict portions of the body and canister for magnetic filter that form no part of the claim.

**1 Claim, 4 Drawing Sheets**

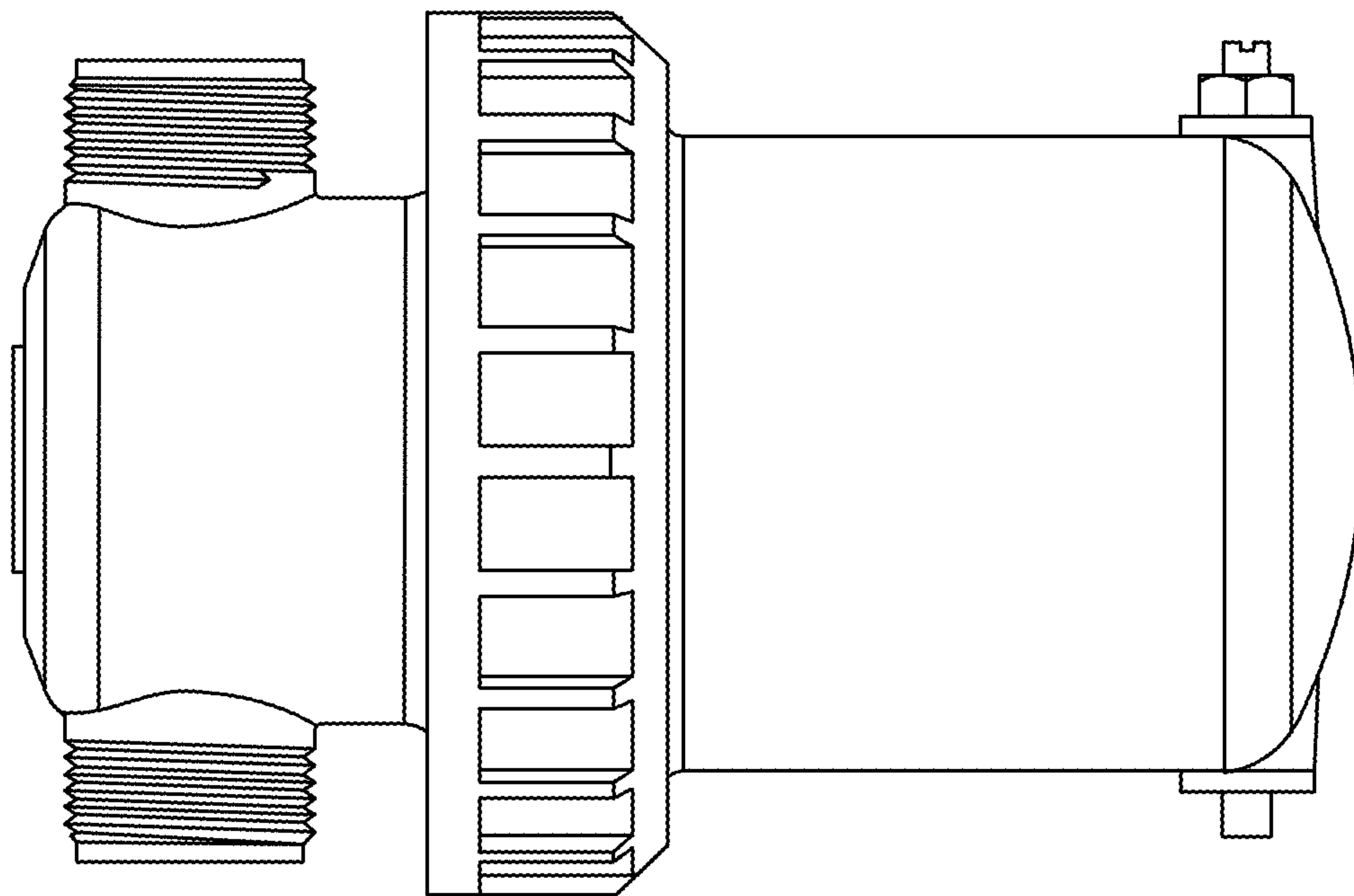




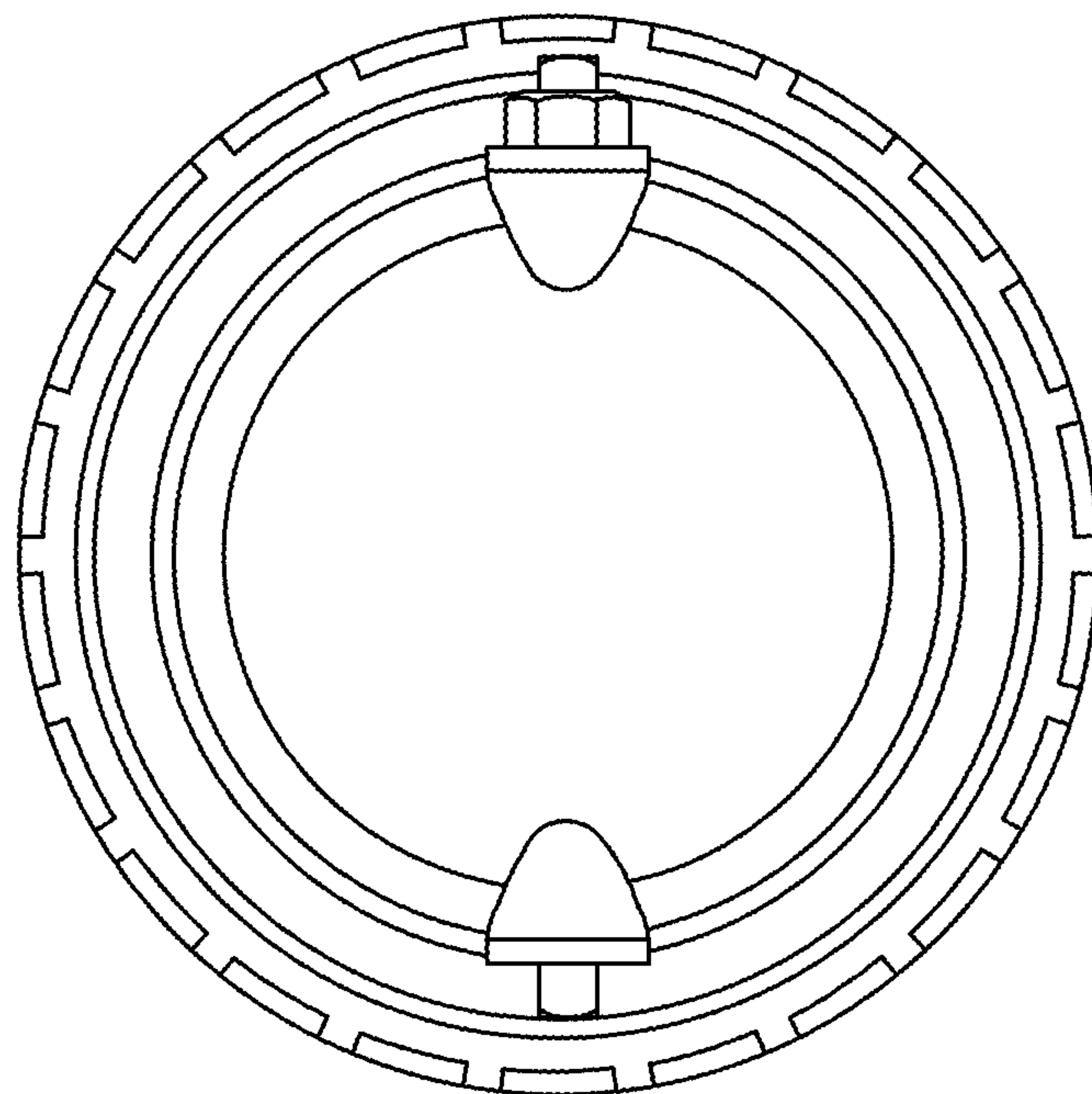
*Fig. 1*



*Fig. 2*

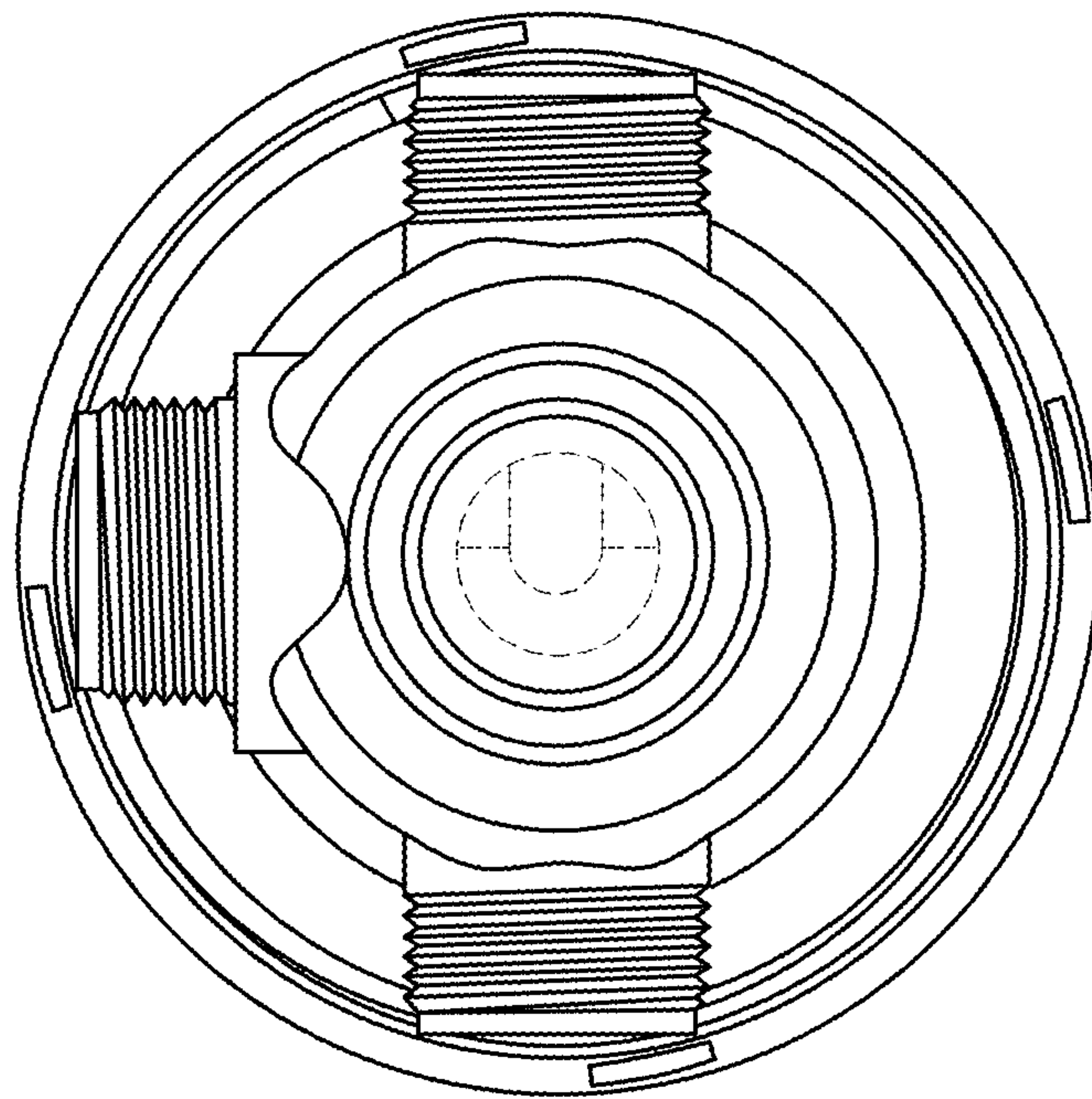


*Fig. 3*

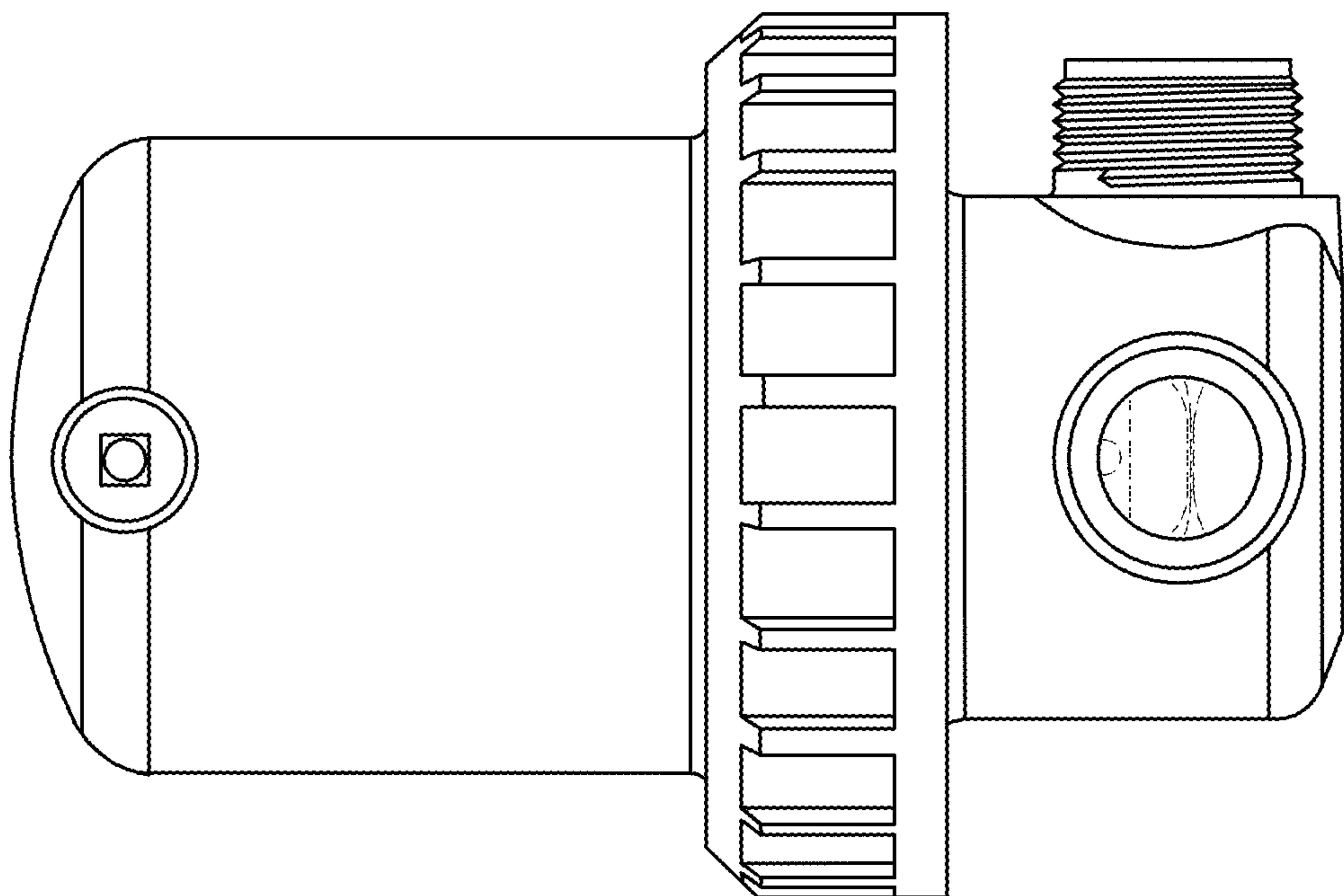


*Fig. 4*

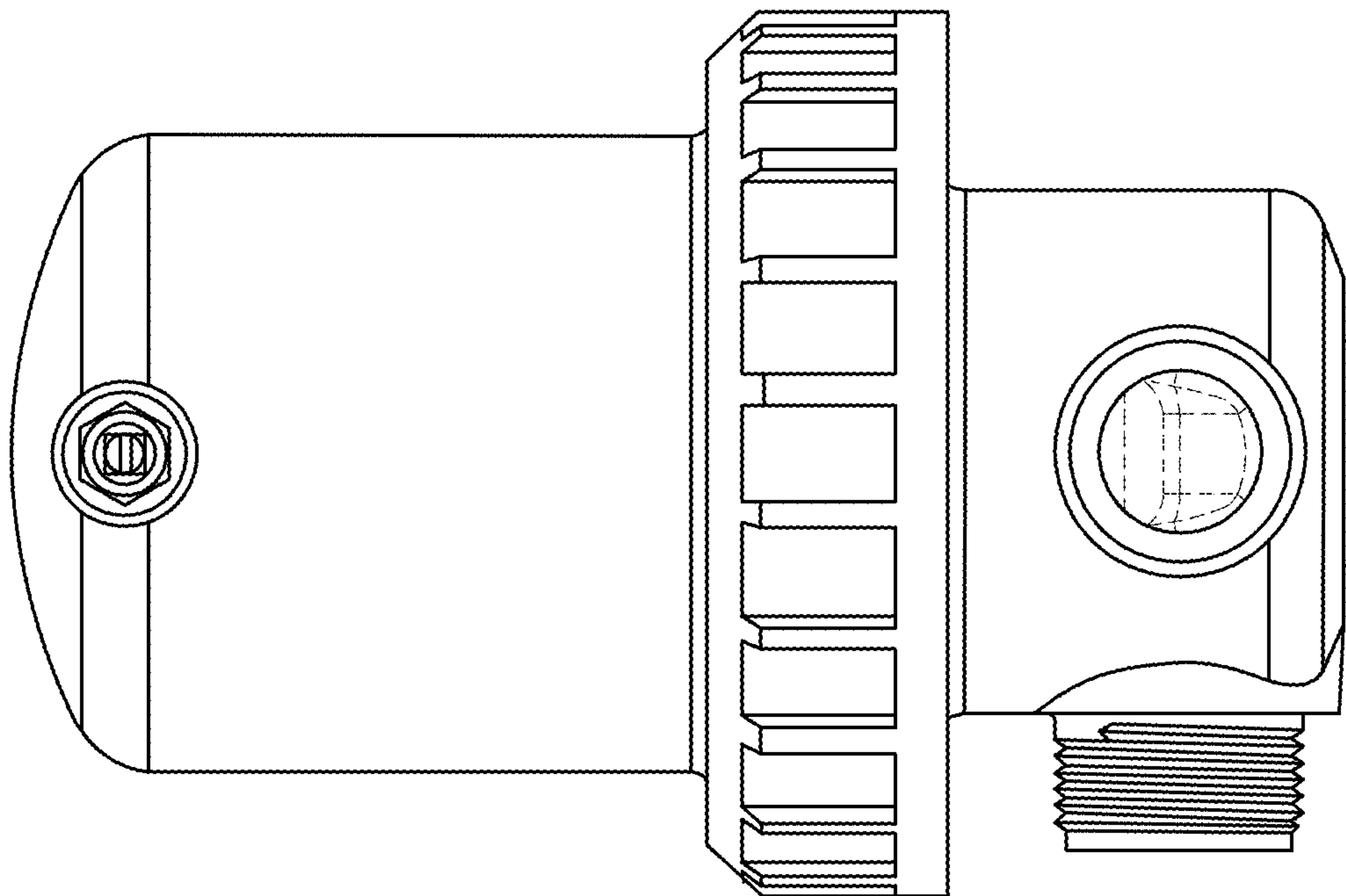




*Fig. 5*



*Fig. 6*



*Fig. 7*