

US00D954912S

(12) **United States Design Patent**
Liao

(10) **Patent No.:** **US D954,912 S**
(45) **Date of Patent:** **** Jun. 14, 2022**

(54) **FAUCET SPOUT**

(71) Applicant: **DELTA FAUCET COMPANY,**
Indianapolis, IN (US)
(72) Inventor: **Song Qing Liao,** Guangzhou (CN)
(73) Assignee: **DELTA FAUCET COMPANY,**
Indianapolis, IN (US)
(**) Term: **15 Years**

(21) Appl. No.: **29/750,106**
(22) Filed: **Sep. 11, 2020**
(51) **LOC (13) Cl.** **23-01**
(52) **U.S. Cl.**
USPC **D23/255**
(58) **Field of Classification Search**
USPC D23/241–243, 255, 257
See application file for complete search history.

(56) **References Cited**

U.S. PATENT DOCUMENTS

D881,353 S * 4/2020 Lazarini D23/255
D933,165 S * 10/2021 Elser D23/242
D933,170 S * 10/2021 Para D23/255

OTHER PUBLICATIONS

Delta Pierce 8 in. Widespread 2-Handle Bathroom Faucet: <https://www.homedepot.com/p/Delta-Pierce-8-in-Widespread-2-Handle-Bathroom-Faucet-in-Chrome-35899LF/312734944?source=shoppingads&locale=en-US> (Year: 2020).*

* cited by examiner

Primary Examiner — Robert A Delehanty

(74) *Attorney, Agent, or Firm* — Nirav D. Parikh; Edgar A. Zarins

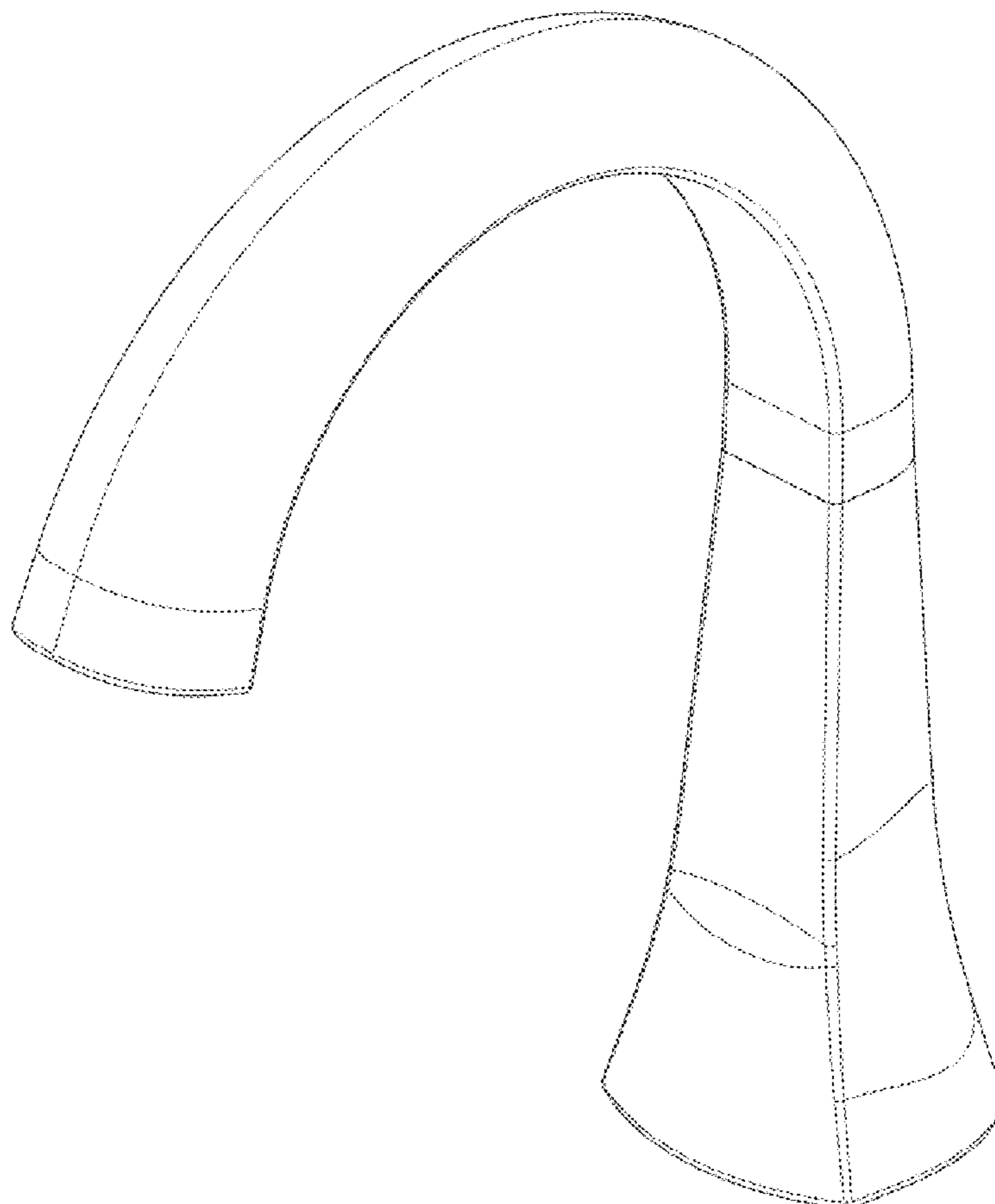
(57) **CLAIM**

The ornamental design for a faucet spout, as shown and described.

DESCRIPTION

FIG. 1 is a front perspective view of a faucet spout showing my new design;
FIG. 2 is a rear perspective view thereof;
FIG. 3 is a front elevational view thereof;
FIG. 4 is a left side view thereof;
FIG. 5 is a rear view thereof;
FIG. 6 is a right side view thereof; and,
FIG. 7 is a top plan view thereof.

1 Claim, 4 Drawing Sheets



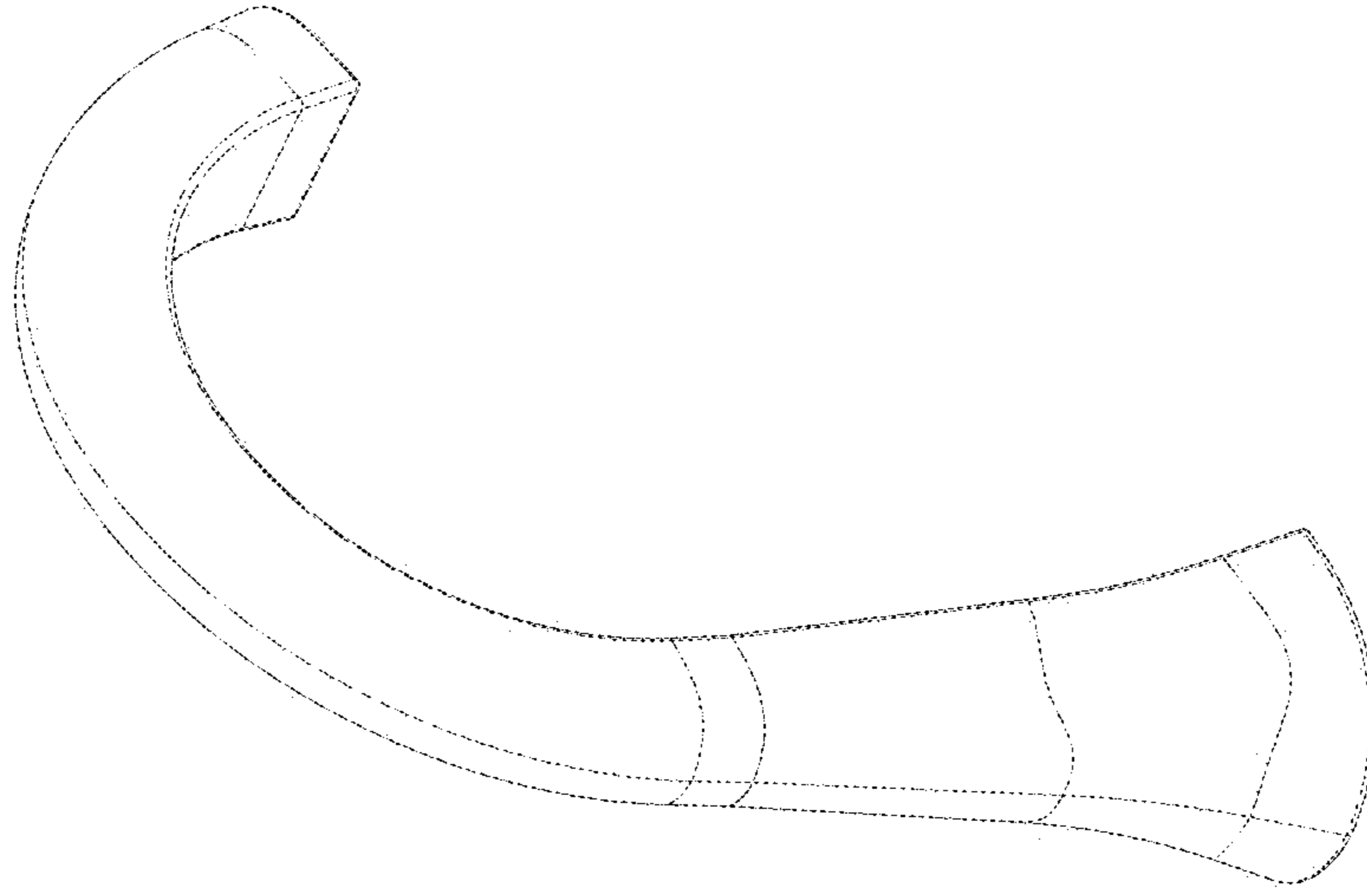


FIG - 2

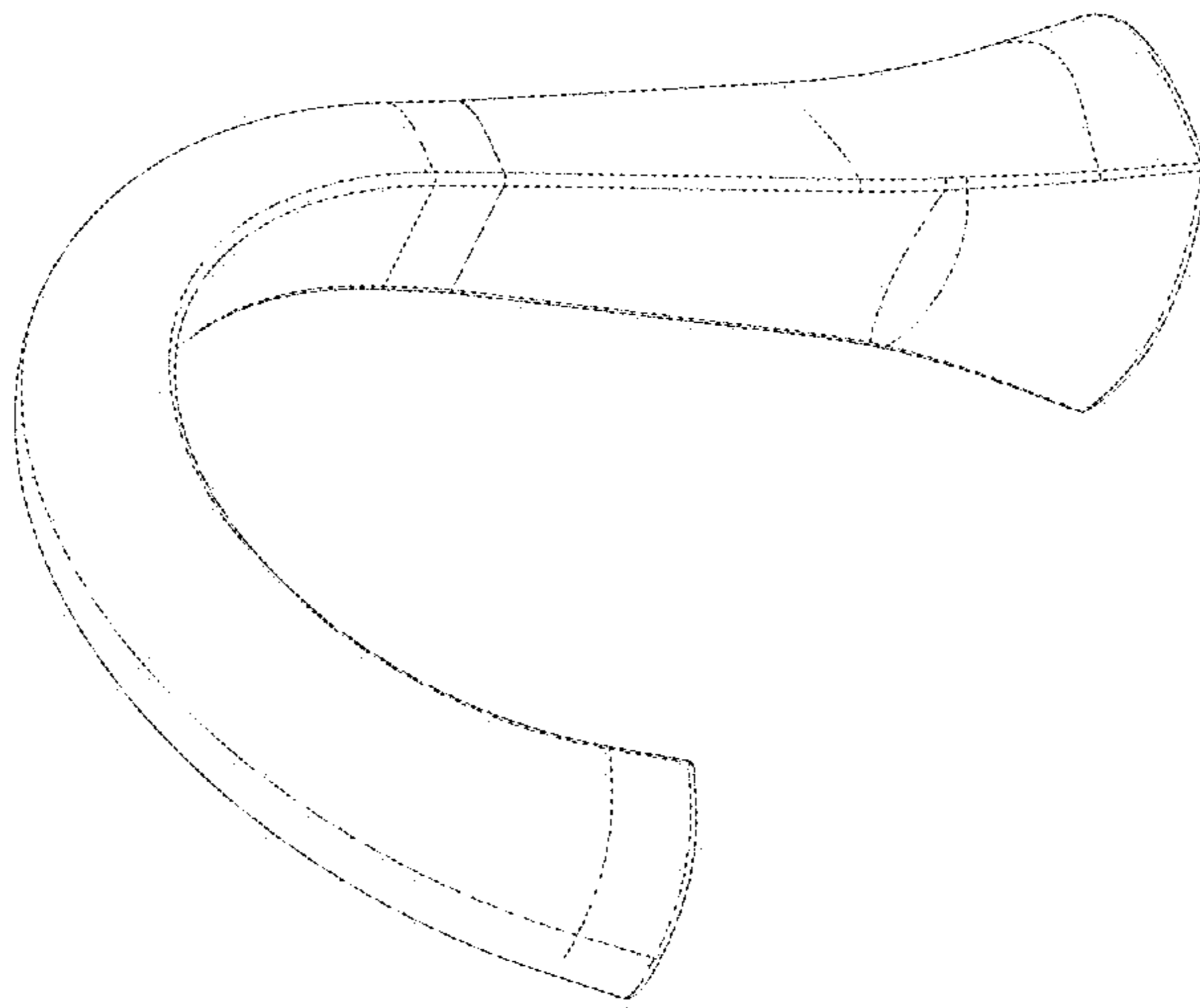


FIG - 1

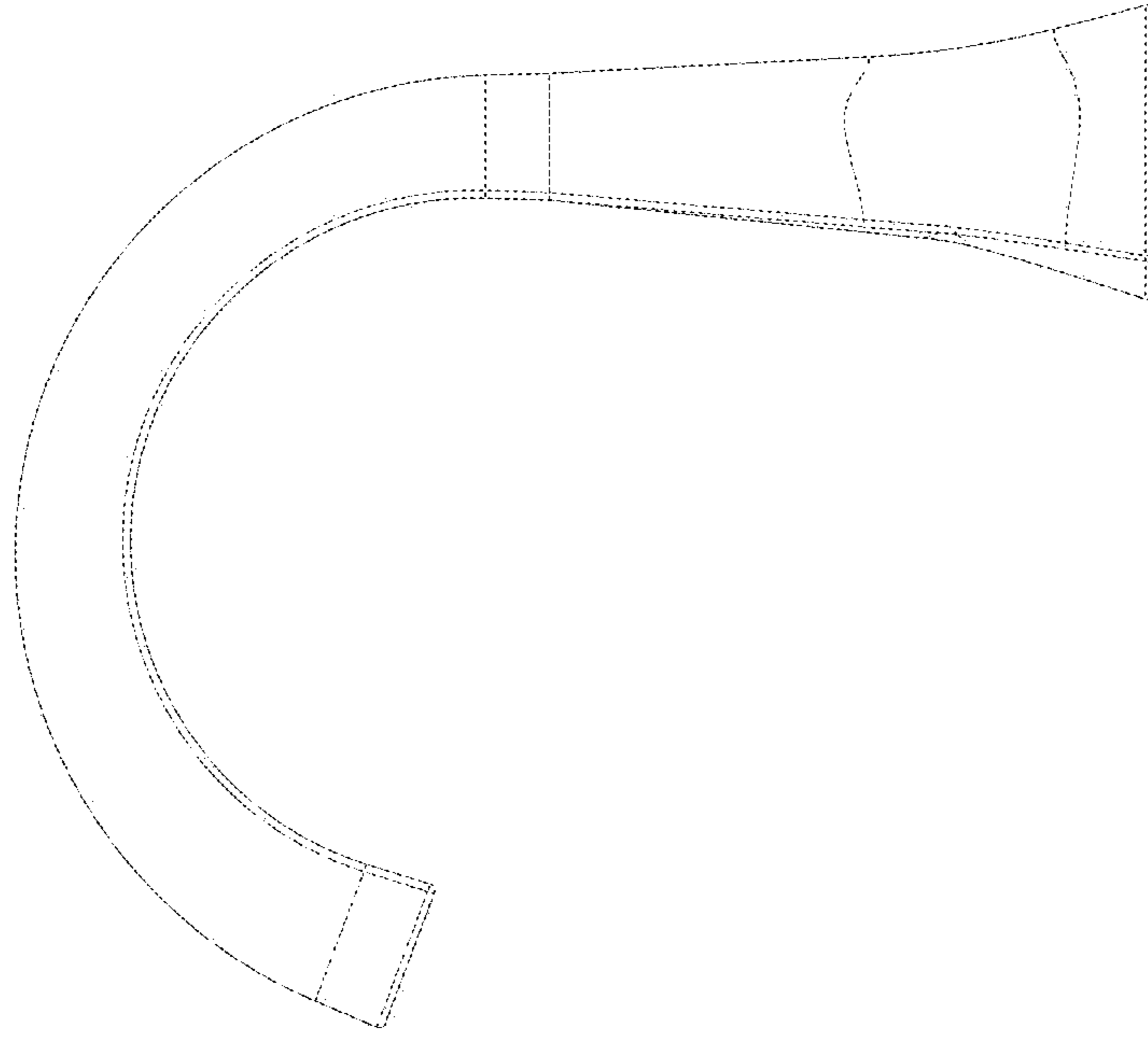


FIG - 4

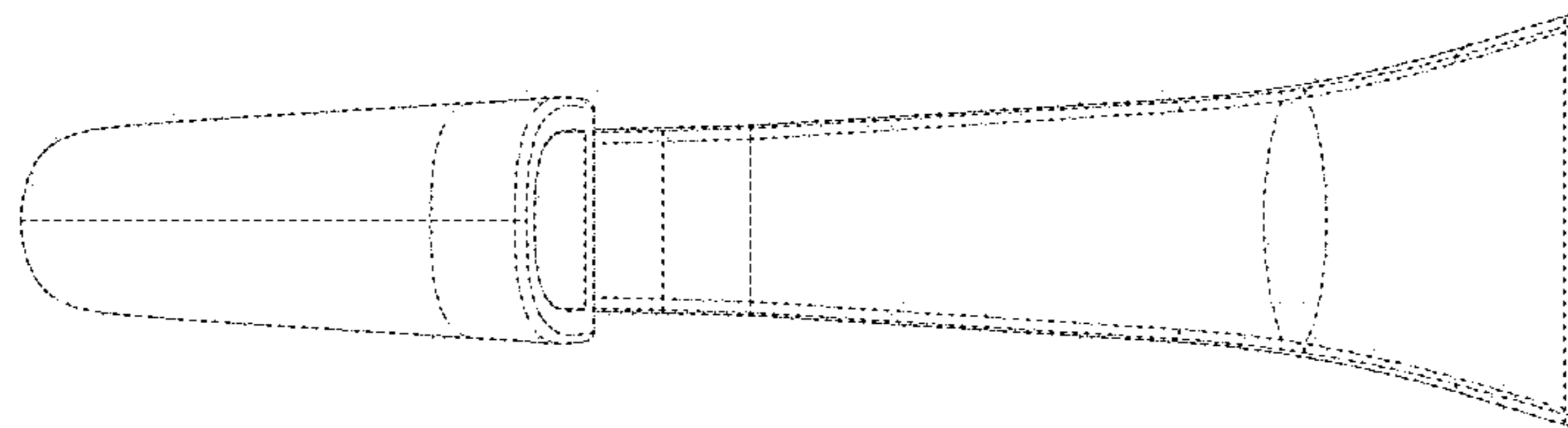


FIG - 3

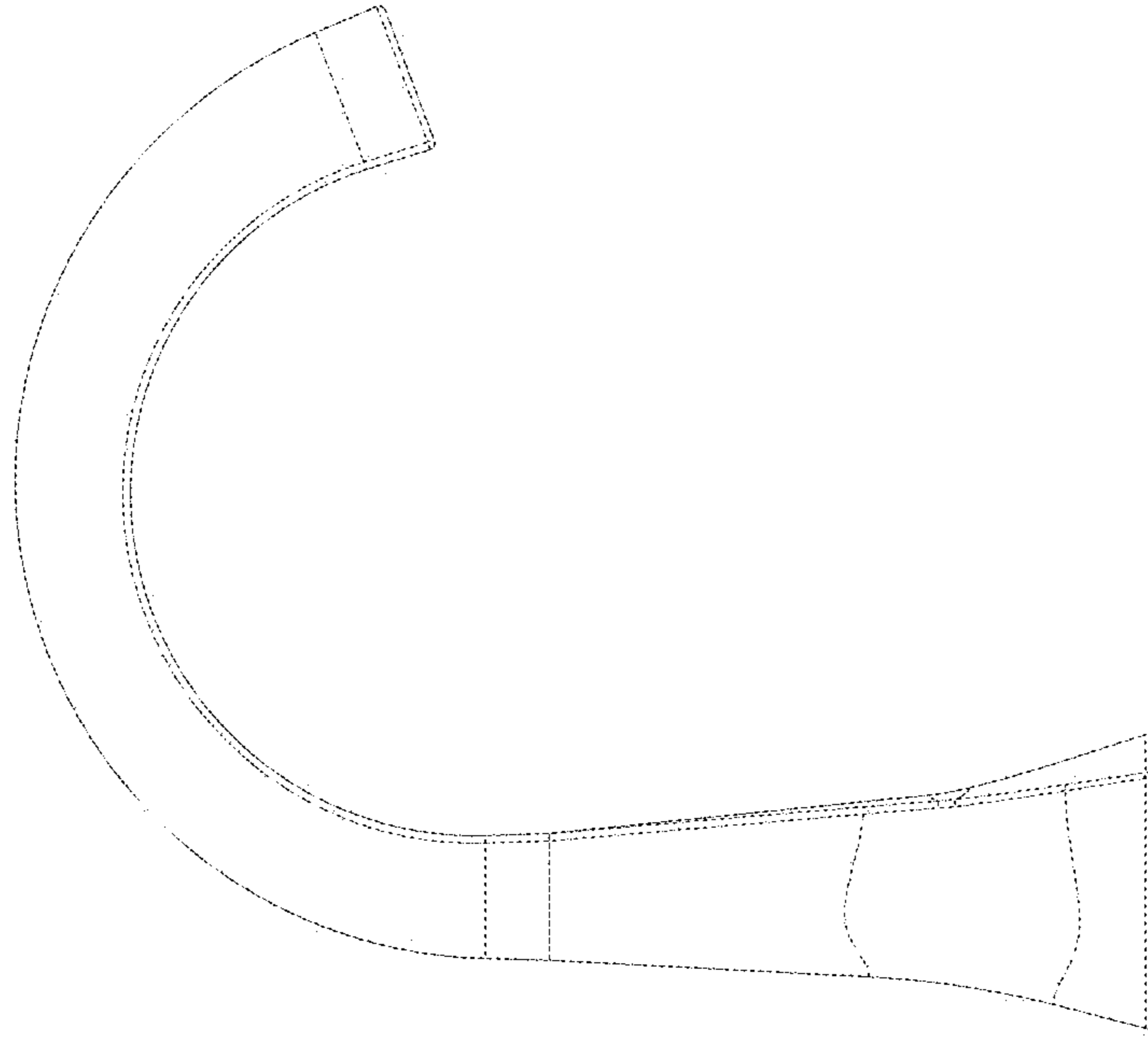


FIG - 5

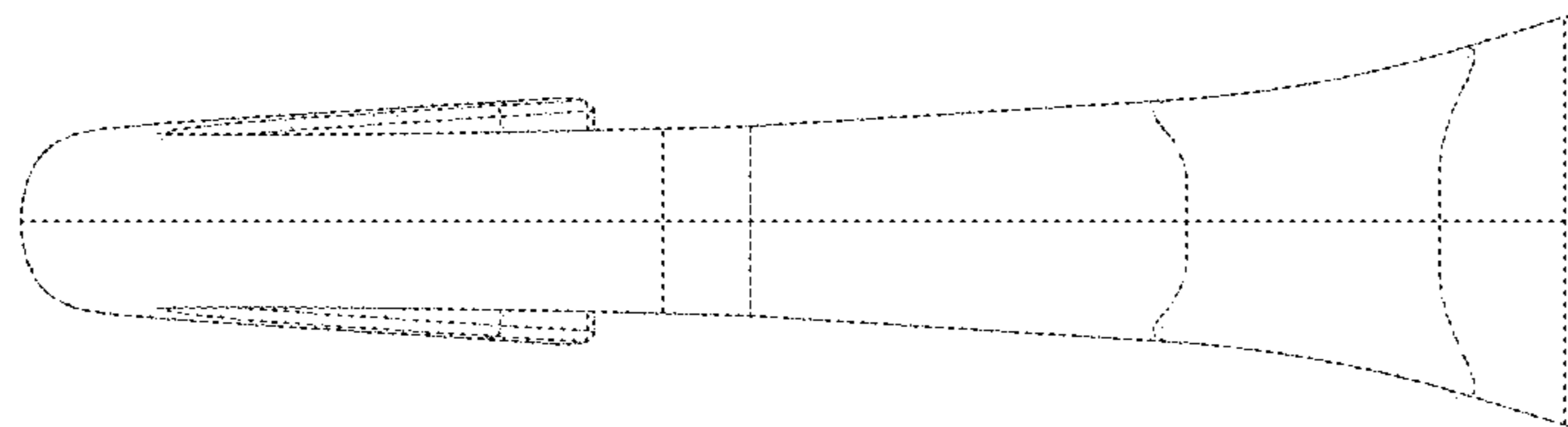


FIG - 6

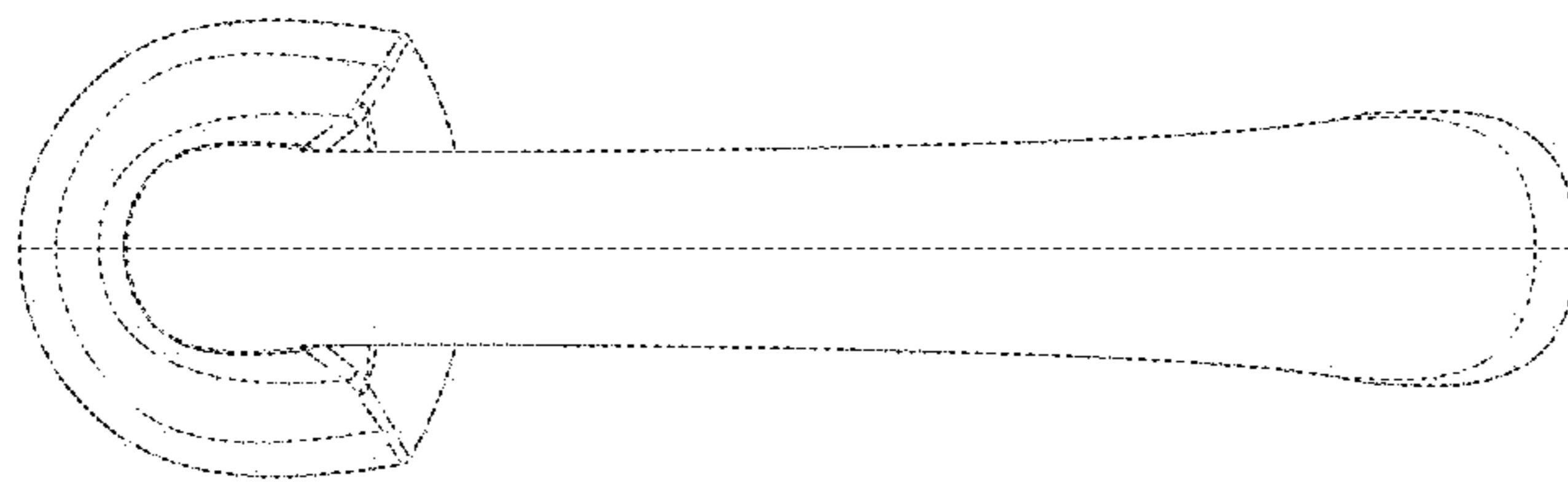


FIG - 7