



US00D954906S

(12) **United States Design Patent** (10) **Patent No.:** **US D954,906 S**
Para (45) **Date of Patent:** **** Jun. 14, 2022**

(54) **FAUCET**
(71) Applicant: **DELTA FAUCET COMPANY**,
Indianapolis, IN (US)
(72) Inventor: **Lauren Para**, Lisle, IL (US)
(73) Assignee: **DELTA FAUCET COMPANY**,
Indianapolis, IN (US)
(**) Term: **15 Years**
(21) Appl. No.: **29/761,232**
(22) Filed: **Dec. 8, 2020**
(51) **LOC (13) Cl.** **23-01**
(52) **U.S. Cl.**
USPC **D23/238**
(58) **Field of Classification Search**
USPC D23/257, 249, 233, 238, 239, 240, 241,
D23/242, 243, 250, 251, 252, 253, 254,
D23/255, 259
CPC E03C 1/01; E03C 1/0409; E03C 1/025;
E03C 1/0408; E03C 1/04; E03C 1/0401;
E03C 1/0402; E03C 1/0405; E03C
1/0412; Y10T 137/5339; Y10T 137/6014;
Y10T 137/6021
See application file for complete search history.

(56) **References Cited**
U.S. PATENT DOCUMENTS
D568,447 S * 5/2008 Lai D23/252
D575,848 S * 8/2008 Kirar D23/238
D579,086 S * 10/2008 Schonherr D23/252
D611,124 S * 3/2010 Schoenherr D23/238
8,631,816 B2 * 1/2014 Hsu E03C 1/04
4/677
D705,399 S * 5/2014 Flowers D23/238
8,739,813 B2 * 6/2014 Moore E03C 1/0403
4/677
D731,623 S * 6/2015 Flowers D23/252

D846,077 S * 4/2019 Liu D23/238
2012/0018009 A1 * 1/2012 Veros F16K 11/0787
137/454.2
2014/0007967 A1 * 1/2014 Sun E03C 1/102
137/801

(Continued)

FOREIGN PATENT DOCUMENTS

CN 201930685228.2 * 12/2019
CN 202030811845.5 * 12/2020

(Continued)

OTHER PUBLICATIONS

Amazon, Gudetap Kitchen Mixer Tap Swive Single Handle Basin Mixer, posted Dec. 10, 2020, [online], [visited Feb. 3, 2022]. Internet, <URL: <https://www.amazon.co.uk/Kitchen-Single-Brushed-Gudetap-GT10222N/dp/B08Q7SRHPB/ref>> (Year: 2020).*

(Continued)

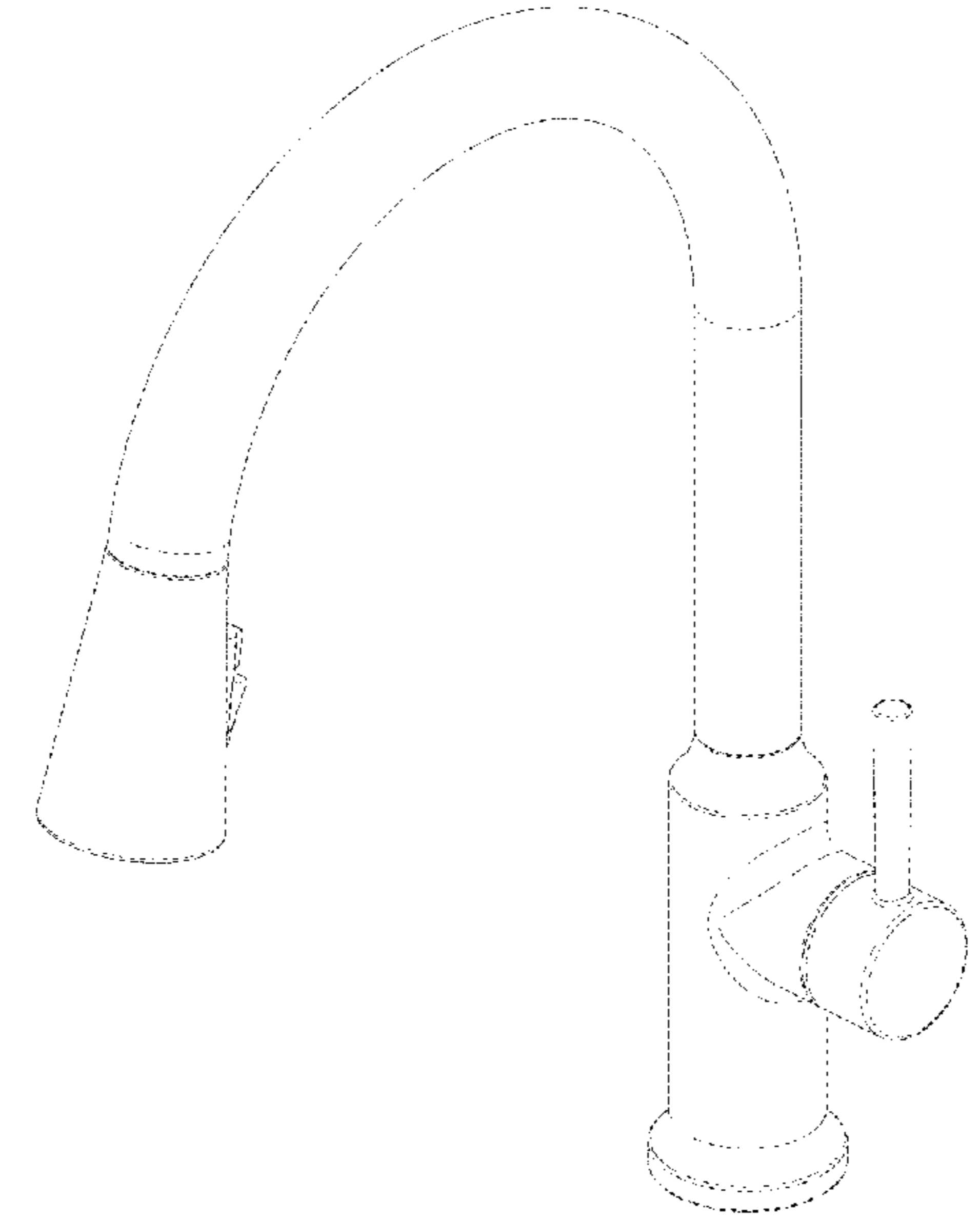
Primary Examiner — Samantha Wood
(74) *Attorney, Agent, or Firm* — Nirav D. Parikh; Edgar A. Zarins

(57) **CLAIM**
The ornamental design for a faucet, as shown and described.

DESCRIPTION

FIG. 1 is a front perspective view of a faucet showing my new design;
FIG. 2 is a rear perspective view thereof;
FIG. 3 is a front elevational view thereof;
FIG. 4 is a left side view thereof;
FIG. 5 is a rear view thereof;
FIG. 6 is a right side view thereof;
FIG. 7 is a top plan view thereof; and,
FIG. 8 is a bottom view thereof.

1 Claim, 4 Drawing Sheets



(56)

References Cited

U.S. PATENT DOCUMENTS

2021/0062483 A1 * 3/2021 Yan E03C 1/0409

FOREIGN PATENT DOCUMENTS

CN 202130105072.3 * 2/2021
CN 202130159868.7 * 3/2021

OTHER PUBLICATIONS

Amazon, Kamtop 360 Rotating Faucet Kitchen Tap, posted Sep. 14, 2021, [online], [visited Feb. 3, 2022]. Internet, <URL: <https://www.amazon.co.uk/Rotating-Kitchen-Kamtop-Commercial-Stainless/dp/B097PQ5R1D/ref>> (Year: 2021).*

Amazon, Delta Faucet Trinsic Single Handle Bar, posted Sep. 22, 2014, [online], [visited Feb. 3, 2022]. Internet, <URL: <https://www.amazon.co.uk/1959LF-CZ-Single-Handle-Bar-Prep-Faucet-Champagne/dp/B00NT5TE96/ref?th=1>> (Year: 2014).*

Amazon, JUNSOTTOR Brushed Gold Kitchen Sink Mixer Tap with Pull Down Sprayer, posted Oct. 9, 2020, [online], [visited Feb. 3, 2022]. Internet, <URL: <https://www.amazon.co.uk/JUNSOTTOR-Brushed-Kitchen-Standard-Fittings/dp/B08L3BRKWP/ref>> (Year: 2020).*

* cited by examiner

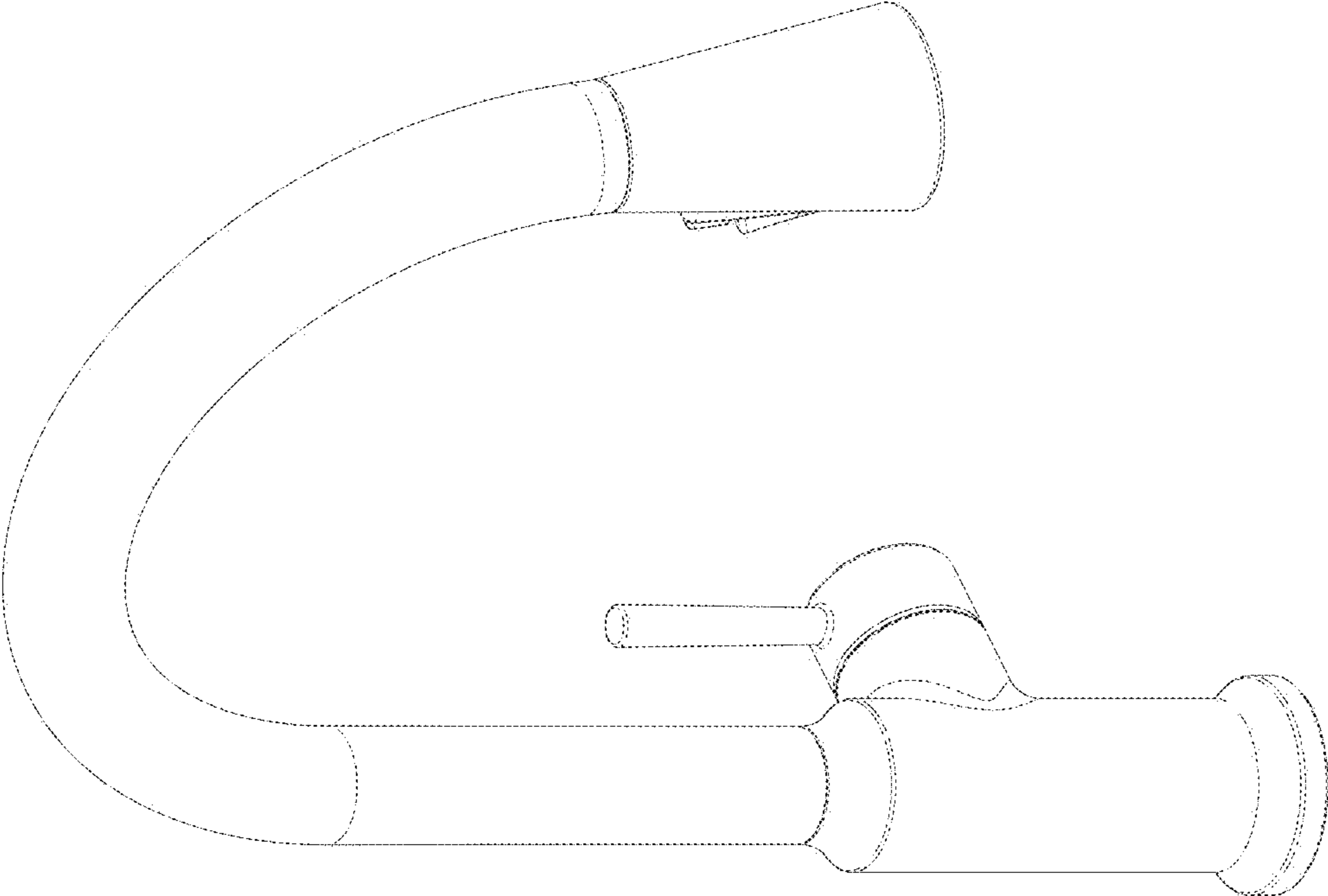


FIG - 2

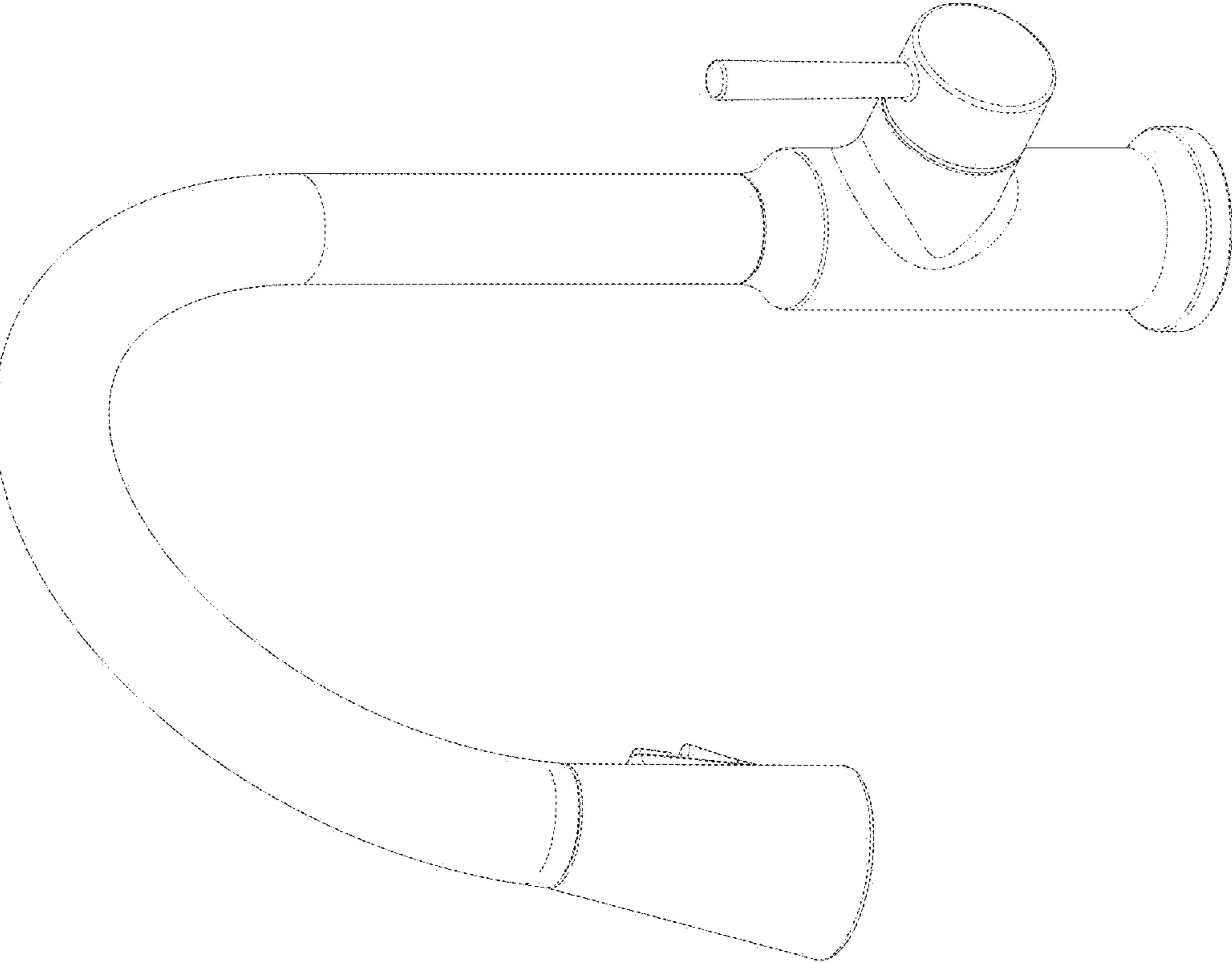


FIG - 1

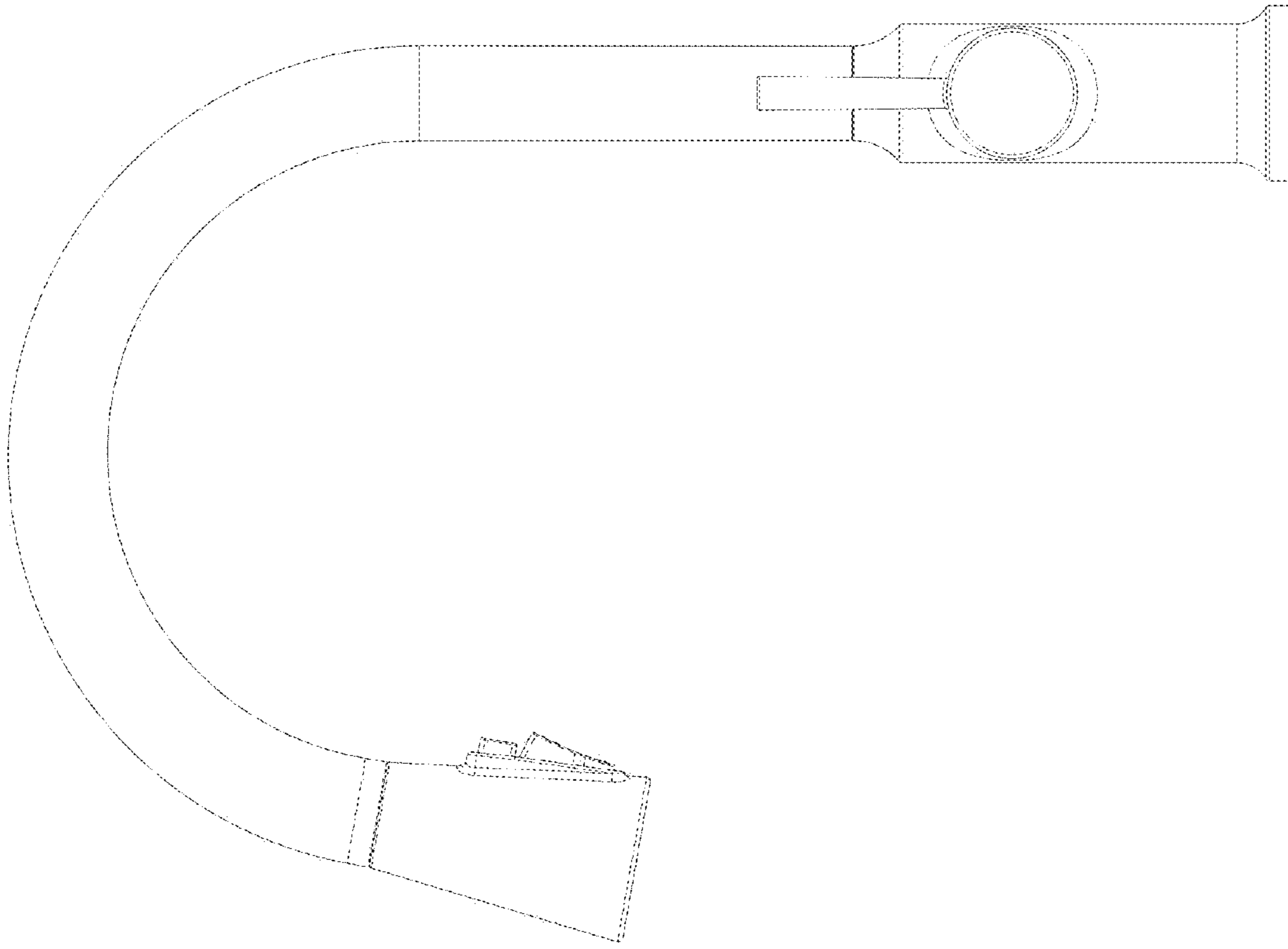


FIG - 4

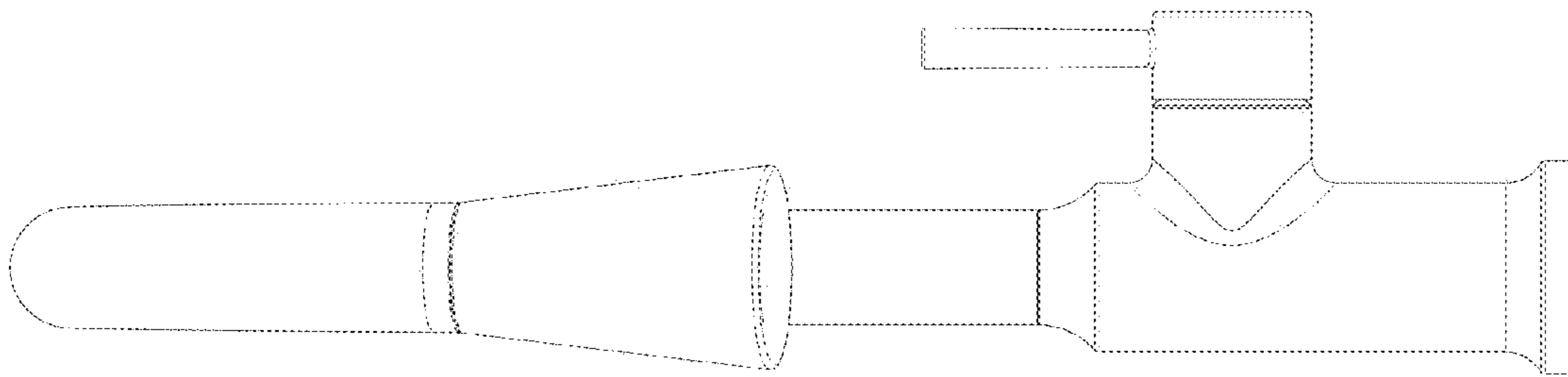


FIG - 3

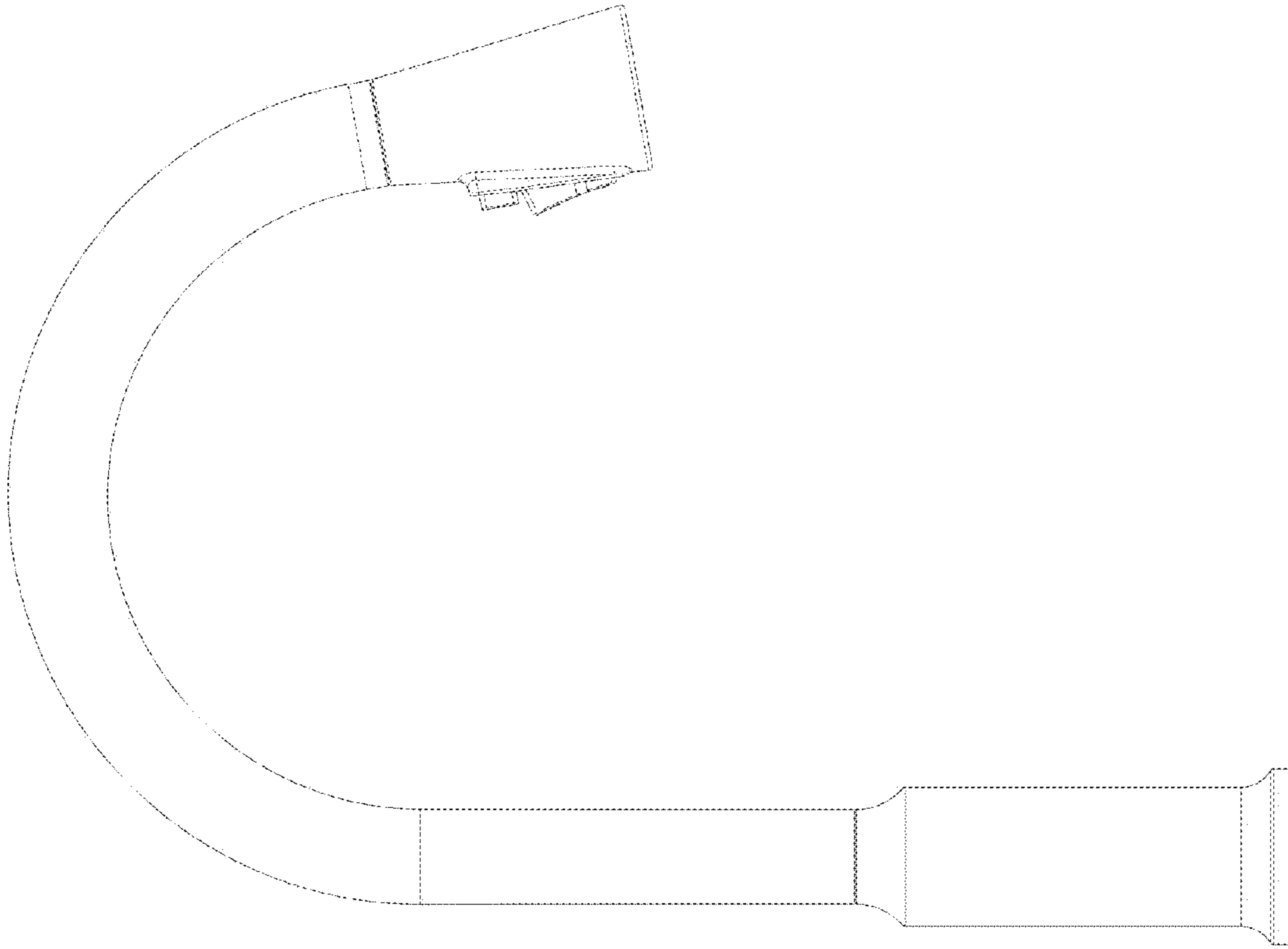


FIG - 6

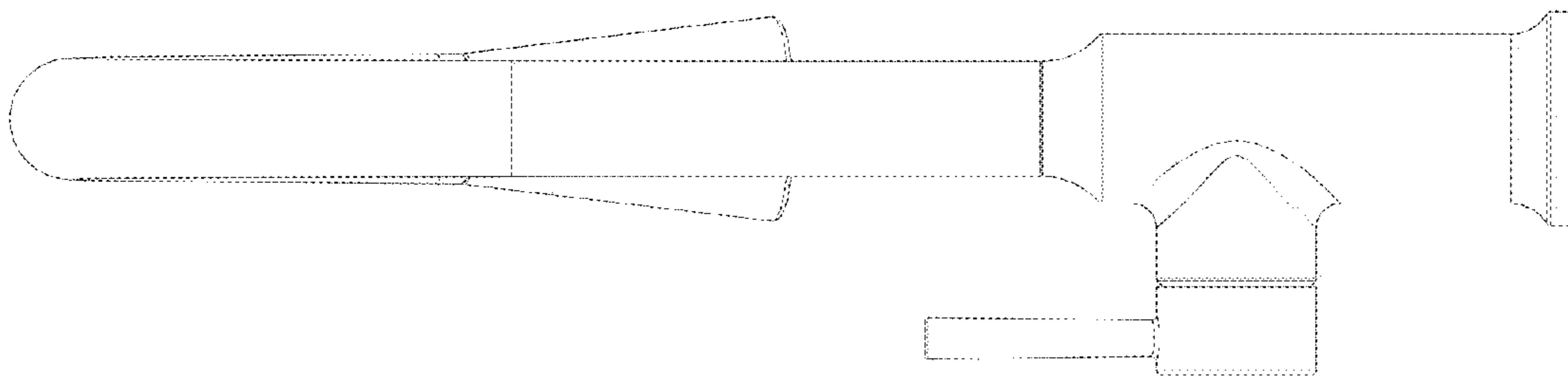


FIG - 5

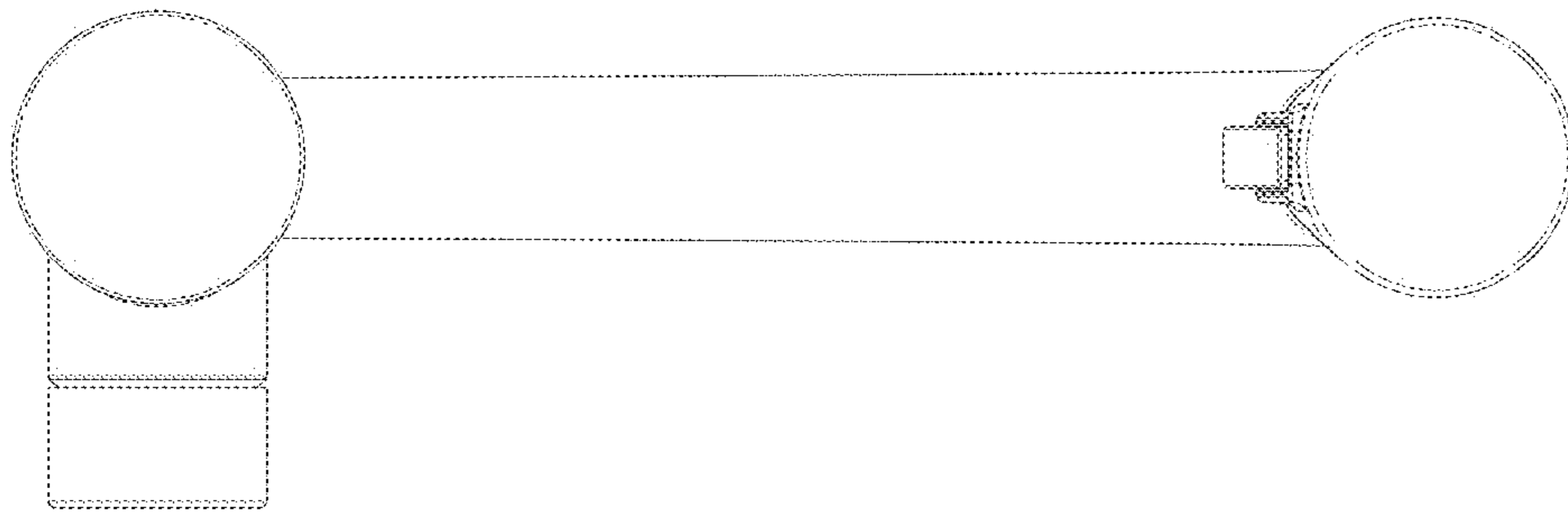


FIG - 8

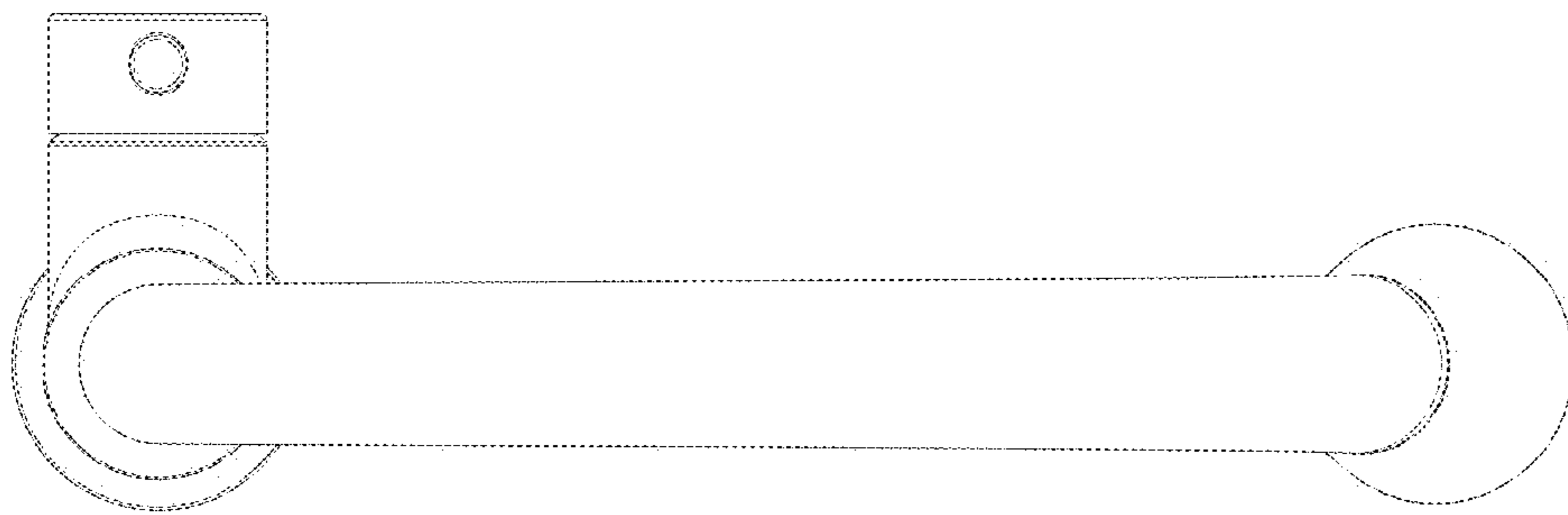


FIG - 7