

US00D954905S

(12) **United States Design Patent**  
**Liao**

(10) **Patent No.:** **US D954,905 S**  
(45) **Date of Patent:** **\*\* Jun. 14, 2022**

- (54) **FAUCET**
- (71) Applicant: **DELTA FAUCET COMPANY**,  
Indianapolis, IN (US)
- (72) Inventor: **Song Qing Liao**, Guangzhou (CN)
- (73) Assignee: **DELTA FAUCET COMPANY**,  
Indianapolis, IN (US)
- (\*\*) Term: **15 Years**
- (21) Appl. No.: **29/760,365**
- (22) Filed: **Dec. 1, 2020**
- (51) **LOC (13) Cl.** ..... **23-01**
- (52) **U.S. Cl.**  
USPC ..... **D23/238**
- (58) **Field of Classification Search**  
USPC ..... D23/257, 249, 233, 238, 239, 240, 241,  
D23/242, 243, 250, 251, 252, 253, 254,  
D23/255, 259  
CPC ..... E03C 1/01; E03C 1/0409; E03C 1/025;  
E03C 1/0408; E03C 1/04; E03C 1/0401;  
E03C 1/0402; E03C 1/0405; E03C  
1/0412; Y10T 137/5339; Y10T 137/6014;  
Y10T 137/6021  
See application file for complete search history.

(56) **References Cited**

**U.S. PATENT DOCUMENTS**

D299,852 S *	2/1989	Paul	.....	D23/252
D397,412 S *	8/1998	Slothower	.....	D23/250
D461,536 S *	8/2002	Singtoroj	.....	D23/252
D505,483 S *	5/2005	Bayer	.....	D23/252
D521,353 S *	5/2006	Gilbert	.....	D8/308
D530,786 S *	10/2006	Gilbert	.....	D23/249
D554,236 S *	10/2007	Dolan	.....	D23/257
D566,817 S *	4/2008	Isaacs	.....	D23/255
D567,337 S *	4/2008	Miao	.....	D23/250
D580,022 S *	11/2008	Gilbert	.....	D23/255

D609,308 S *	2/2010	Fritz	.....	D23/238
D640,774 S *	6/2011	Ke	.....	D23/255
D642,661 S *	8/2011	Corbett	.....	D23/238
D800,259 S *	10/2017	Fritz	.....	D23/238
D812,723 S *	3/2018	Georgeson	.....	D23/252
D867,526 S *	11/2019	Garland	.....	D23/213
D867,527 S *	11/2019	Eads	.....	D23/213
D896,348 S *	9/2020	Zhang	.....	D23/238

(Continued)

**FOREIGN PATENT DOCUMENTS**

CN 202030624558.3 \* 10/2020

**OTHER PUBLICATIONS**

Amazon, APPASO Touchless Matt Black Kitchen Faucet with Pull Down Sprayer, posted Dec. 21, 2019, [online], [visited Jan. 24, 2022]. Internet, <URL: <https://www.amazon.co.uk/APPASO-Touchless-Kitchen-Activated-Hands-free/dp/B082ZDDB6Z/ref?th=1>> (Year: 2019).\*

(Continued)

*Primary Examiner* — Samantha Wood  
(74) *Attorney, Agent, or Firm* — Nirav D. Parikh; Edgar A. Zarins

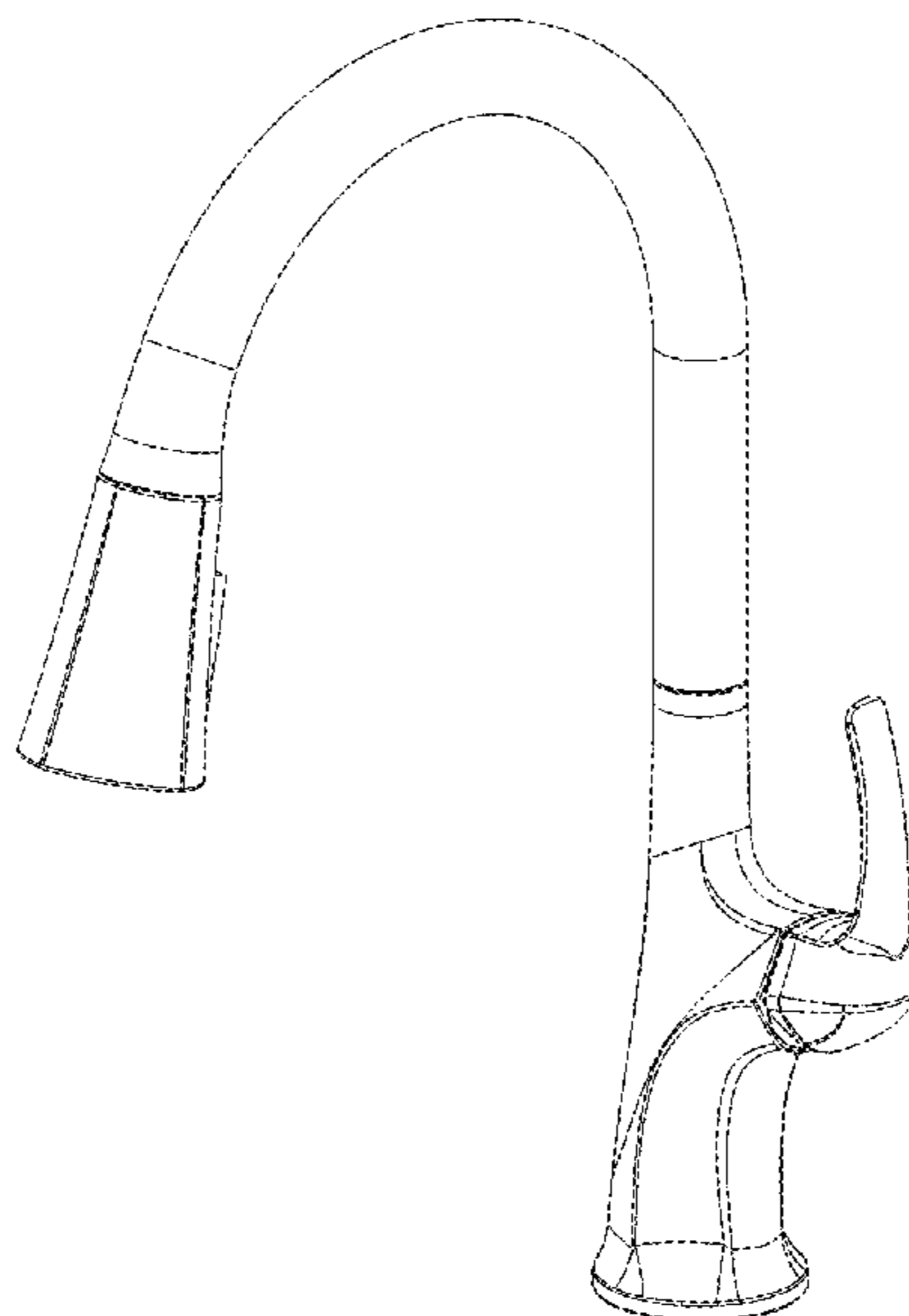
(57) **CLAIM**

The ornamental design for a faucet, as shown and described.

**DESCRIPTION**

FIG. 1 is a front perspective view of a faucet showing my new design;  
FIG. 2 is a rear perspective view thereof;  
FIG. 3 is a front elevational view thereof;  
FIG. 4 is a left side view thereof;  
FIG. 5 is a rear view thereof;  
FIG. 6 is a right side view thereof;  
FIG. 7 is a top plan view thereof; and,  
FIG. 8 is a bottom view thereof.

**1 Claim, 4 Drawing Sheets**



(56)

**References Cited**

U.S. PATENT DOCUMENTS

2020/0157787 A1\* 5/2020 Benstead ..... E03C 1/0402  
2021/0062483 A1\* 3/2021 Yan ..... B05B 1/1618

OTHER PUBLICATIONS

Amazon, Newhalo Pull Out Kitchen Mixer Taps with Sprayer, posted Dec. 9, 2020, [online], [visited Jan. 24, 2022]. Internet, <URL: <https://www.amazon.co.uk/Newhalo-Kitchen-Outlet-Stainless-Sprayer/dp/B08Q2TYGS8/ref>> (Year: 2020).\*

\* cited by examiner

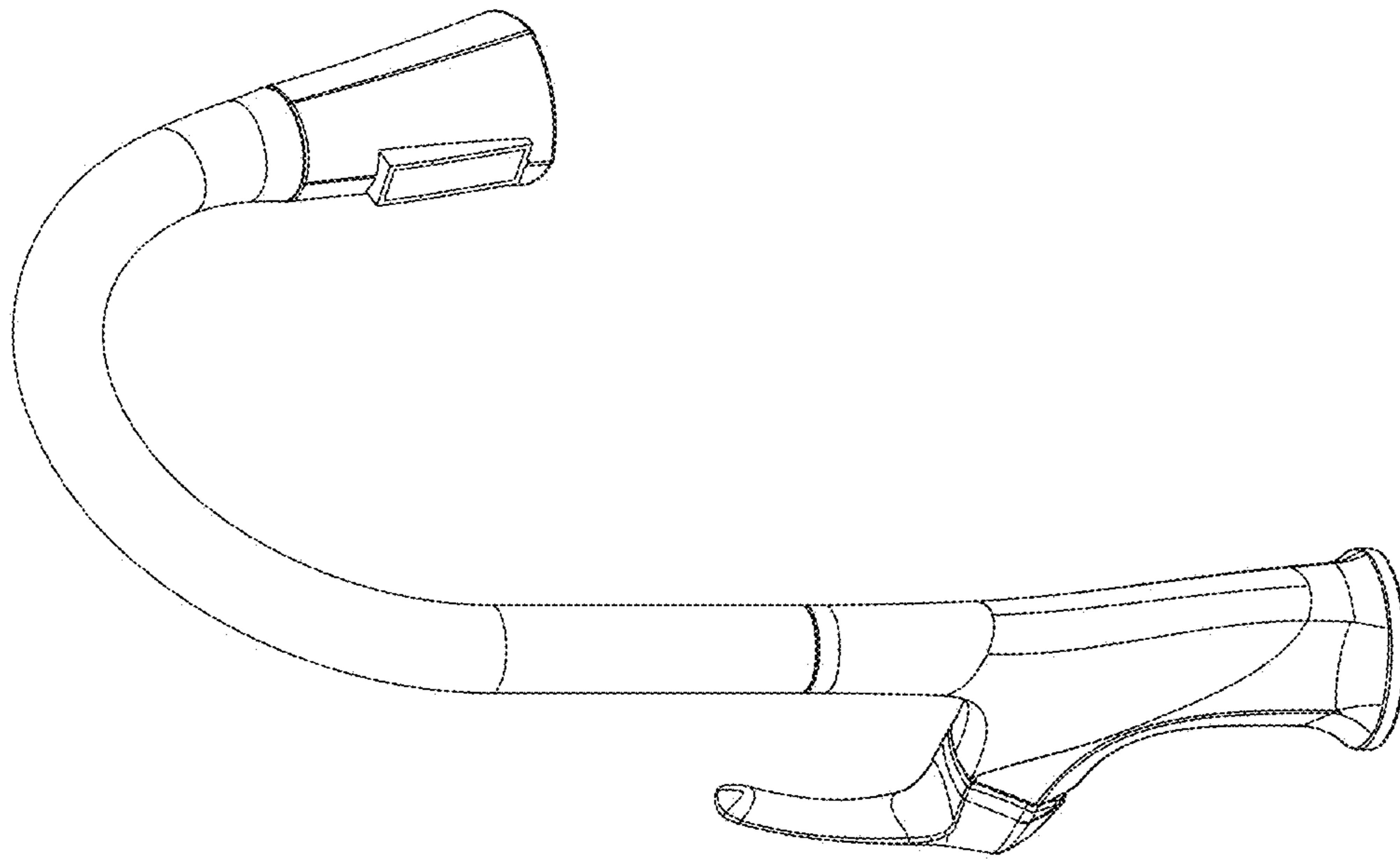


FIG - 2

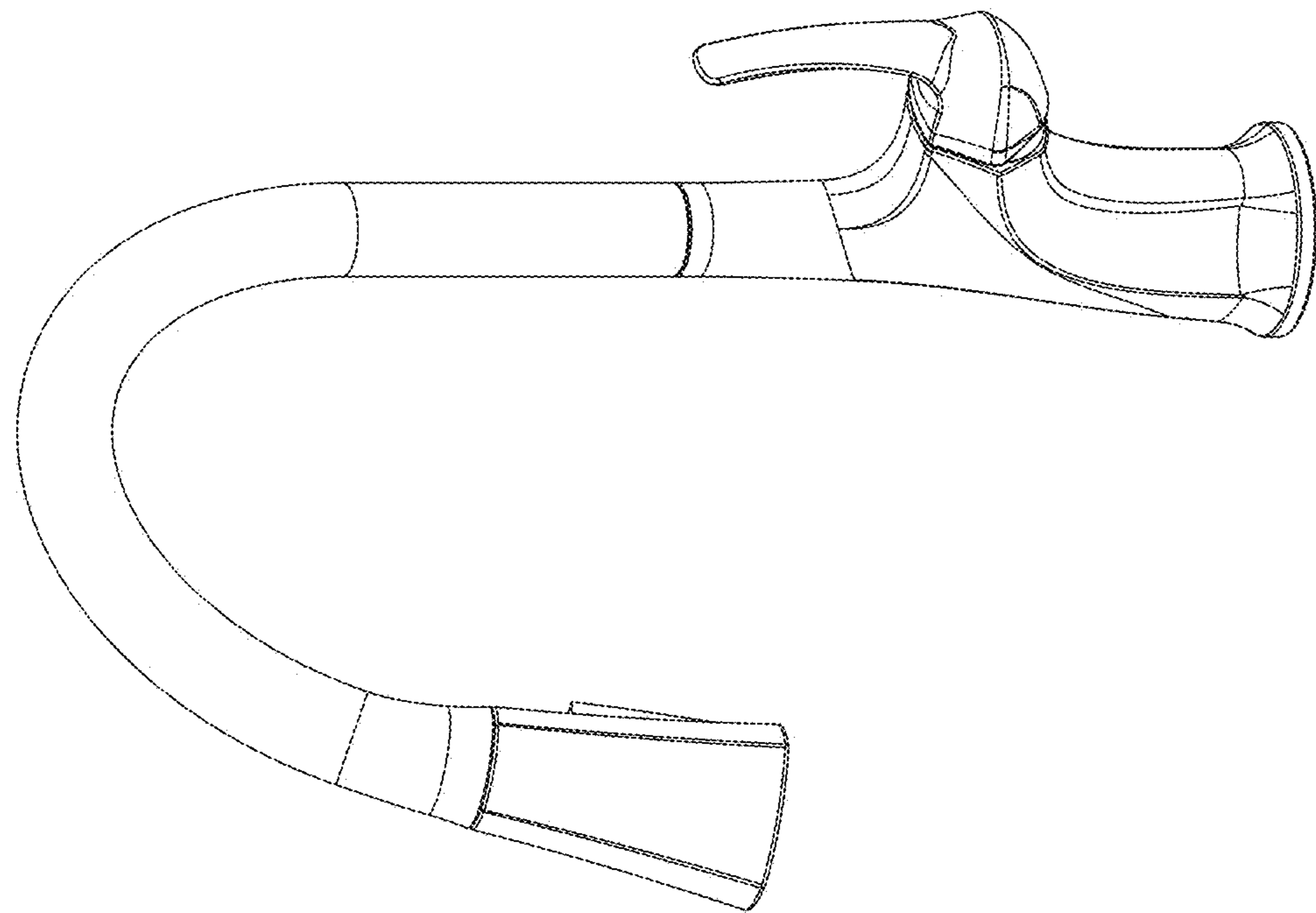


FIG - 1

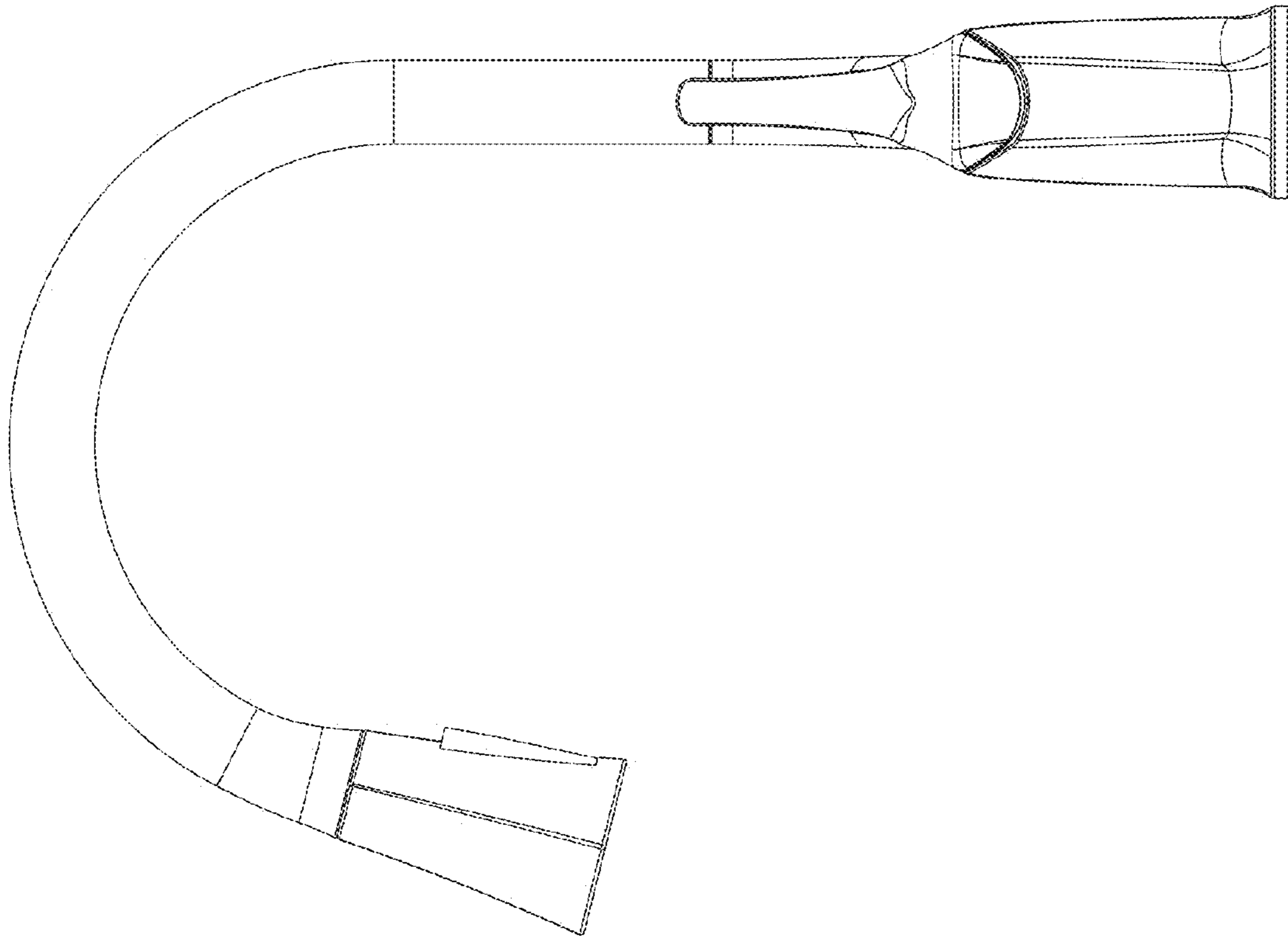


FIG - 4

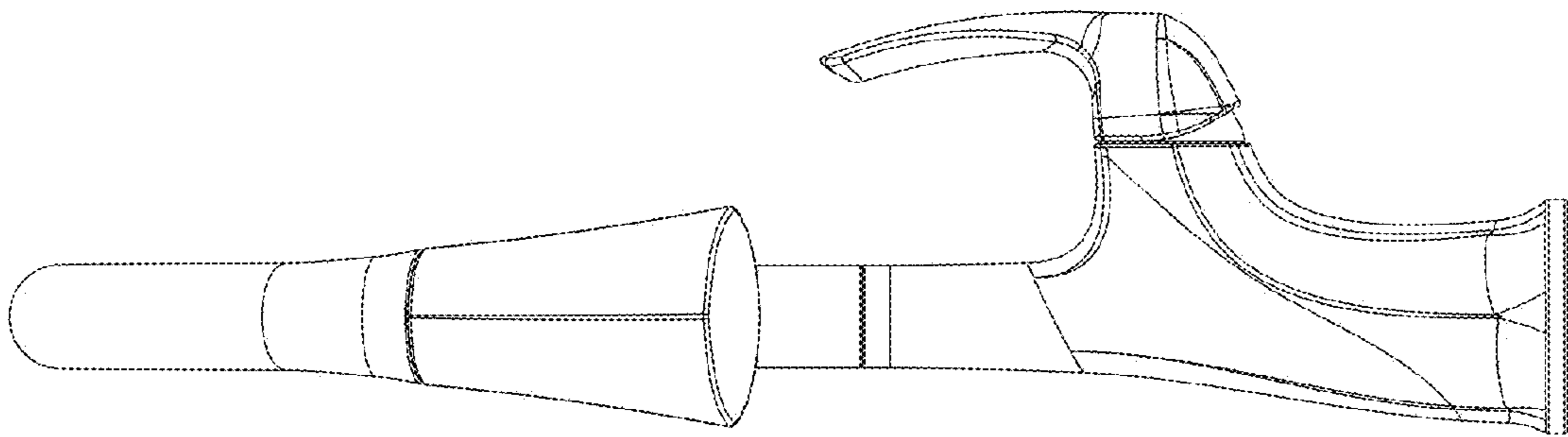


FIG - 3

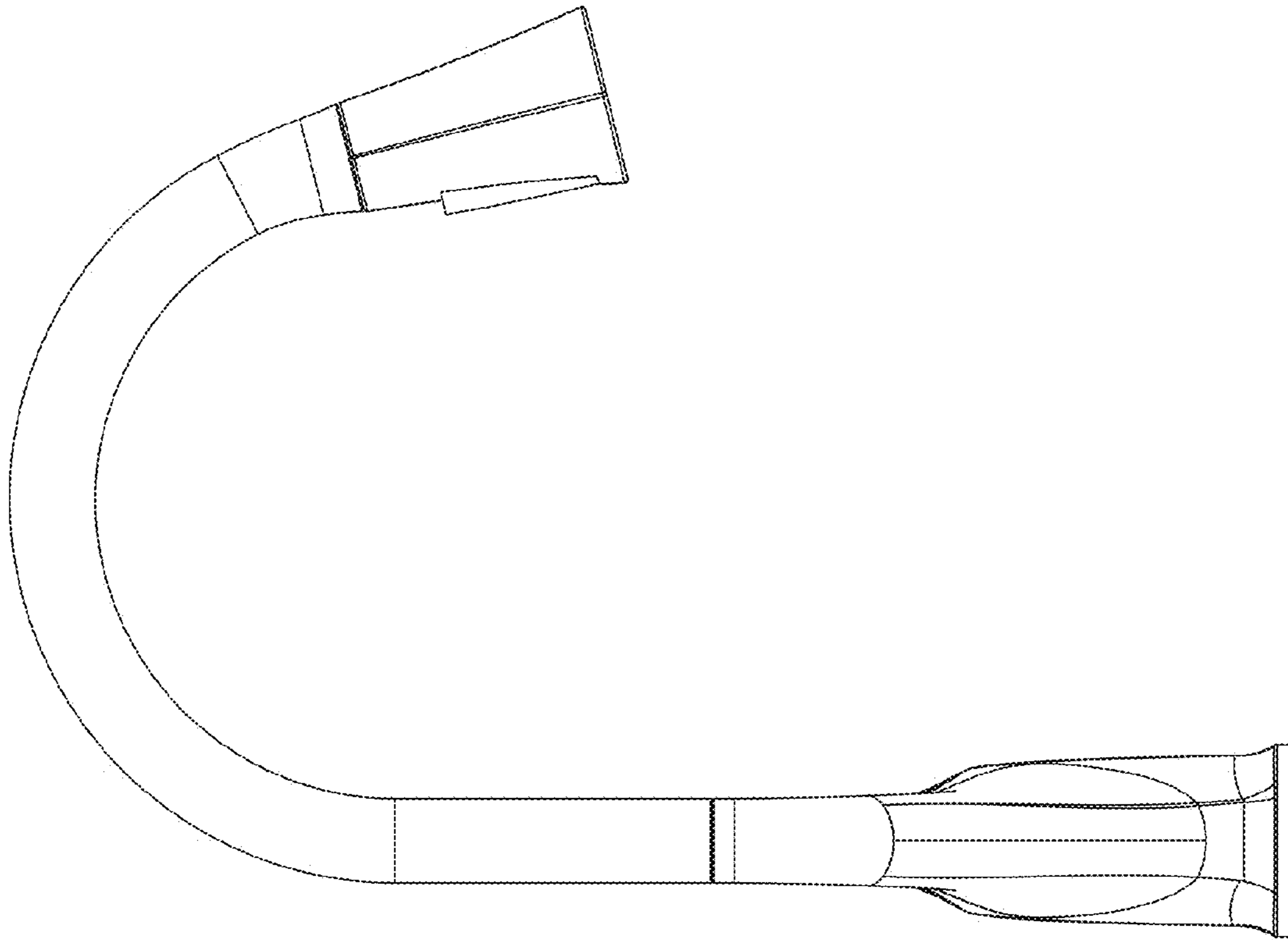


FIG - 6

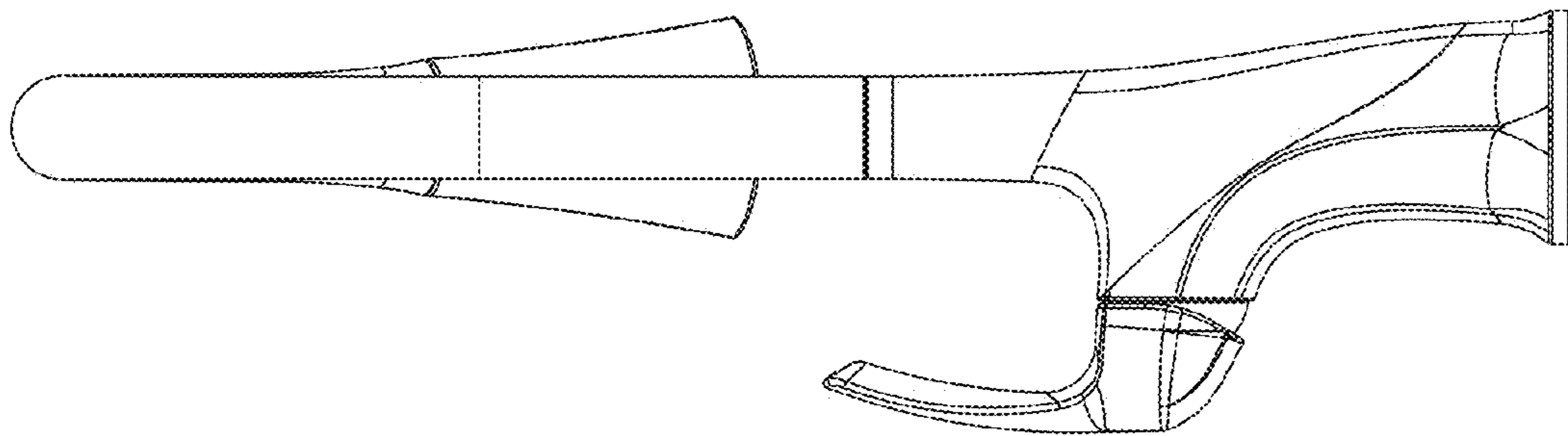


FIG - 5

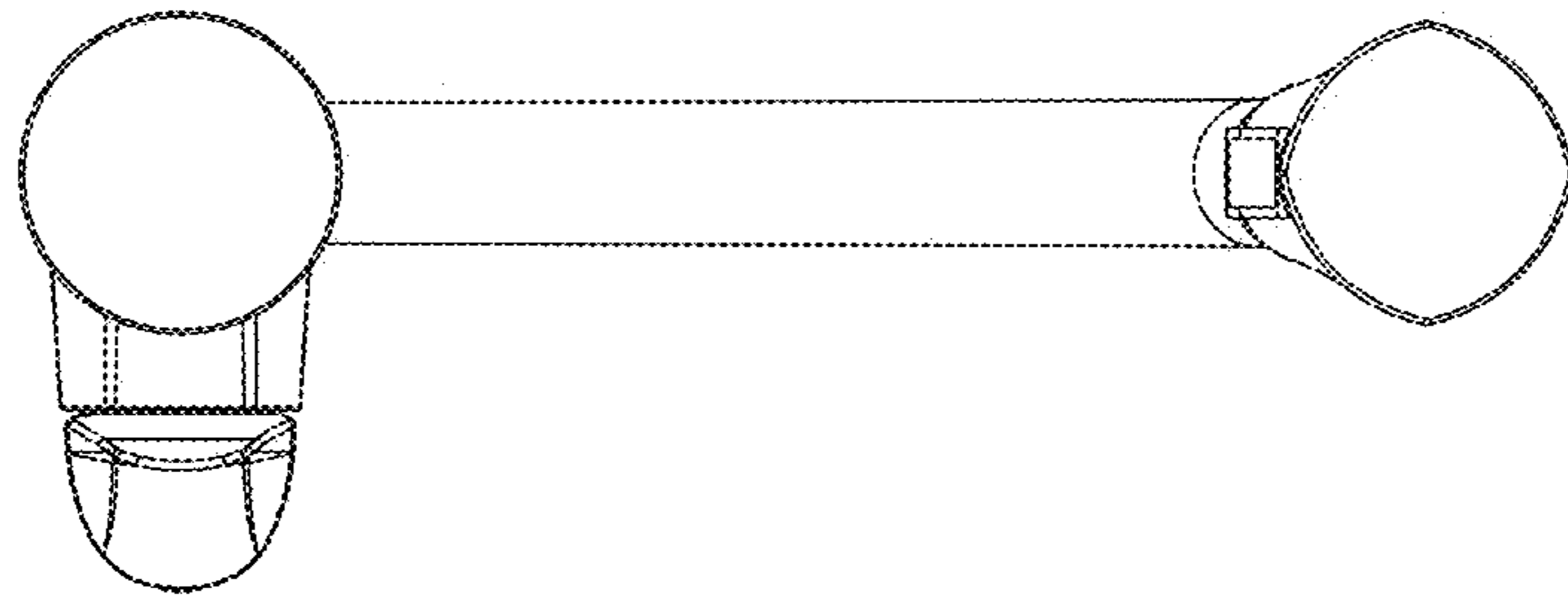


FIG - 8

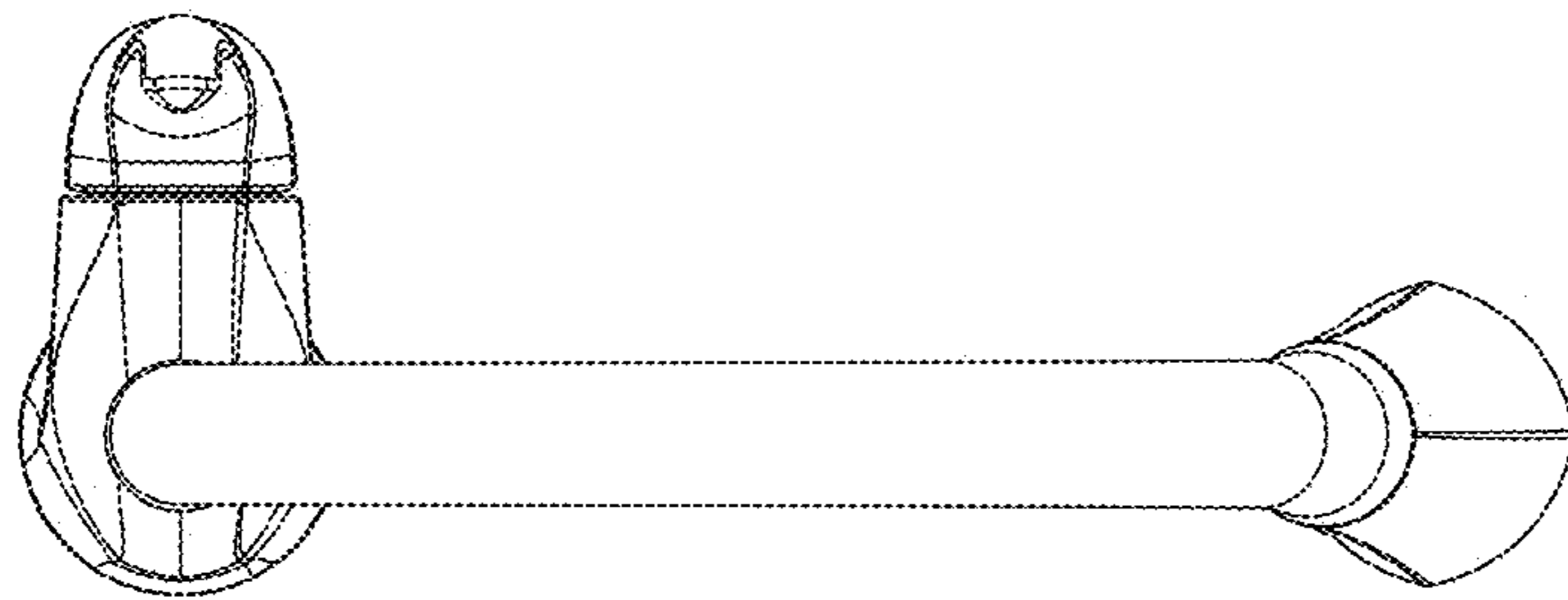


FIG - 7