



US00D954903S

(12) **United States Design Patent**
Witt et al.

(10) **Patent No.: US D954,903 S**

(45) **Date of Patent: ** *Jun. 14, 2022**

(54) **FAUCET**

(71) Applicant: **HANSGROHE SE**, Schiltach (DE)

(72) Inventors: **Alvaro Witt**, Stuttgart (DE); **Andreas Diefenbach**, Ludwigsburg-Ossweil (DE)

(73) Assignee: **Hansgrohe SE**, Schiltach (DE)

(*) Notice: This patent is subject to a terminal disclaimer.

(**) Term: **15 Years**

(21) Appl. No.: **29/757,414**

(22) Filed: **Nov. 5, 2020**

(30) **Foreign Application Priority Data**

May 11, 2020 (EM) 007880810

(51) **LOC (13) Cl.** **23-01**

(52) **U.S. Cl.**
USPC **D23/238**

(58) **Field of Classification Search**
USPC D23/257, 249, 254, 259, 255, 233, 234,
D23/235, 236, 237, 238, 240, 241, 242,
D23/243, 250, 251, 252, 253
CPC E03C 1/01; E03C 1/0409; E03C 1/025;
E03C 1/0408; E03C 1/04; E03C 1/0401;
E03C 1/0402; E03C 1/0405; E03C
1/0412; Y10T 137/5339; Y10T 137/6014;
Y10T 137/6021
See application file for complete search history.

(56) **References Cited**

U.S. PATENT DOCUMENTS

D76,904 S * 11/1928 Smith D23/254
3,533,436 A * 10/1970 Parkison F16K 11/00
137/359
D219,781 S * 1/1971 Niemann D23/252

D300,653 S * 4/1989 Paul D23/255
D508,977 S * 8/2005 Otero D23/238
D510,414 S * 10/2005 Jones D23/252
D518,153 S * 3/2006 Theberge D23/255
D522,624 S * 6/2006 Koury D23/252
D524,922 S * 7/2006 Gilbert D23/255
D541,388 S * 4/2007 Dolan D23/255
D567,907 S * 4/2008 Kohler, Jr. D23/238
D574,064 S * 7/2008 Hanna D23/257
D574,470 S * 8/2008 Wolf D23/255
D581,027 S * 11/2008 Dolan D23/255

(Continued)

FOREIGN PATENT DOCUMENTS

CN 301157792 3/2010
EM 001387997-0004 11/2013

OTHER PUBLICATIONS

Amazon, U-Enjoy Brush Gold Bathroom Basin Faucet, posted May 18, 2020, [online], [visited Mar. 15, 2022]. Internet, <URL: https://www.amazon.co.uk/G0000D-Faucet-Bathroom-Lavatory-Material-Shipping/dp/B089NZ7KRR/ref> (Year: 2020).*

Primary Examiner — Samantha Wood

(74) *Attorney, Agent, or Firm* — Lora J. Graentzdoerffer

(57) **CLAIM**

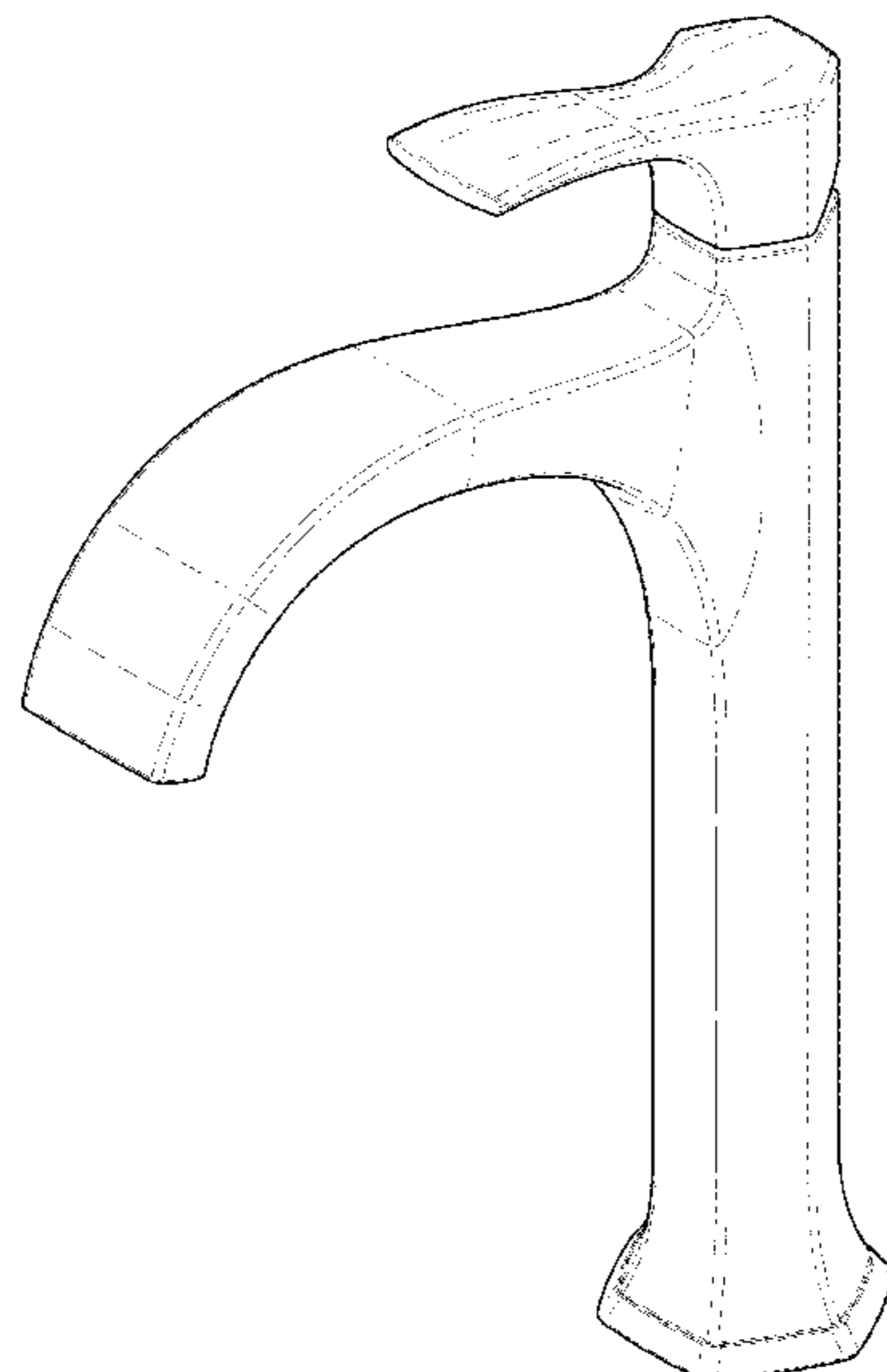
The ornamental design for a faucet, as shown and described.

DESCRIPTION

FIG. 1 is a perspective view of a faucet showing our design; FIG. 2 is a front elevational view; FIG. 3 is a rear elevational view; FIG. 4 is a side elevational view; FIG. 5 is a side elevational view; FIG. 6 is a top plan view; and, FIG. 7 is a bottom plan view.

The broken lines are included for the purpose of illustrating portions of the faucet and form no part of the claimed design.

1 Claim, 7 Drawing Sheets



(56)

References Cited

U.S. PATENT DOCUMENTS

D581,494	S	*	11/2008	Dolan	D23/255
D600,320	S	*	9/2009	Miyamoto	D23/238
D603,023	S	*	10/2009	Tippens	D23/257
D607,975	S	*	1/2010	Schoenherr	D23/238
D610,236	S	*	2/2010	Schoenherr	D23/238
D611,573	S	*	3/2010	Gao	D23/252
D636,853	S	*	4/2011	Yu	D23/238
D648,003	S	*	11/2011	Gao	D23/255
D718,424	S	*	11/2014	Smith	D23/255
D720,834	S	*	1/2015	Sedwick	D23/255
D773,614	S	*	12/2016	Potter	D23/238
D797,244	S	*	9/2017	Kulig	D23/238
D809,103	S	*	1/2018	Schoenherr	D23/238
D820,411	S	*	6/2018	Huber	D23/242
D834,148	S	*	11/2018	Thomas	D23/242
D842,437	S	*	3/2019	McKeone	D23/257
D851,733	S	*	6/2019	Spangler	D23/252
D873,383	S	*	1/2020	Bahler	D23/255
D873,969	S	*	1/2020	Bahler	D23/257

* cited by examiner

FIG. 1

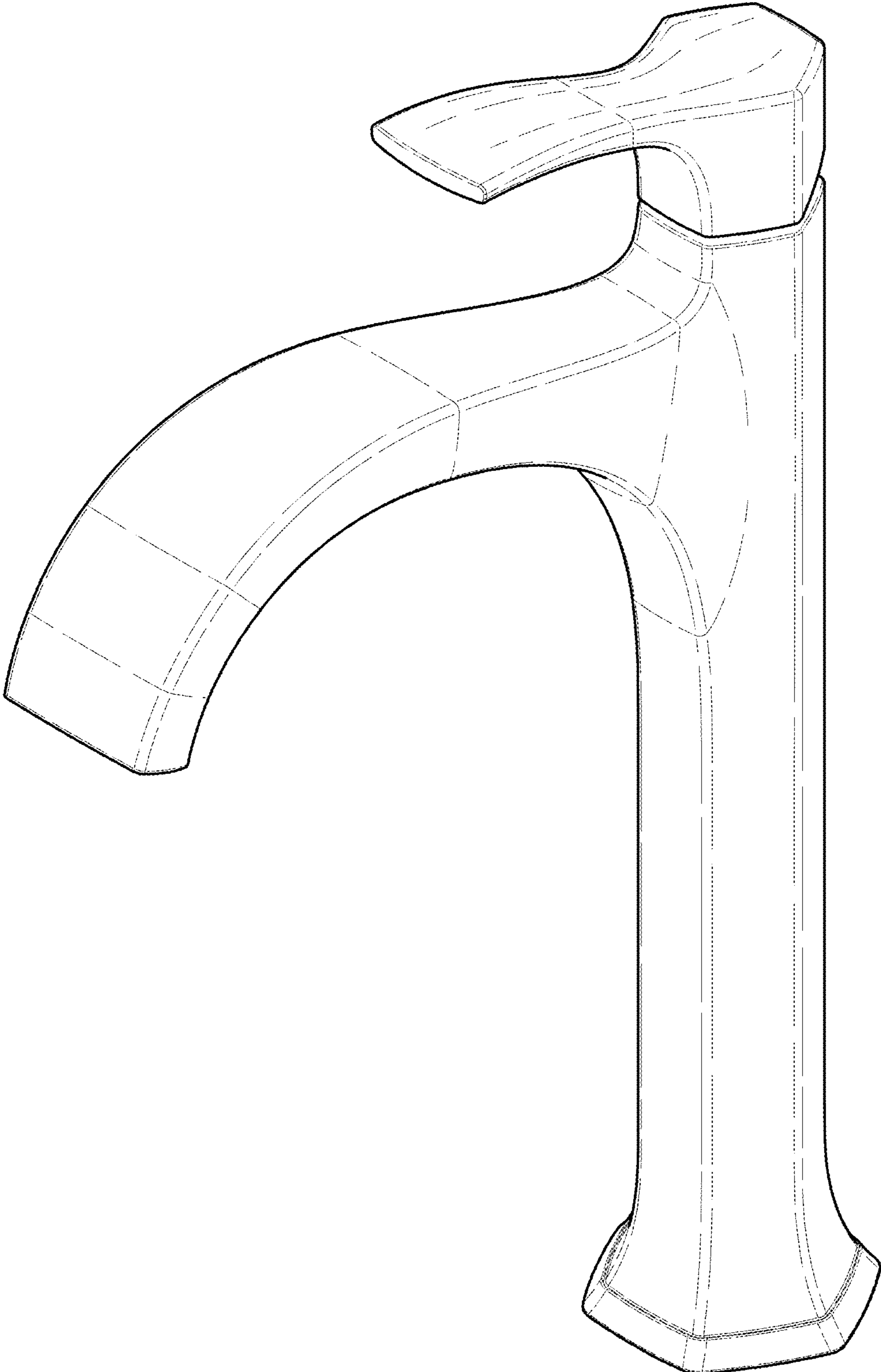


FIG. 2

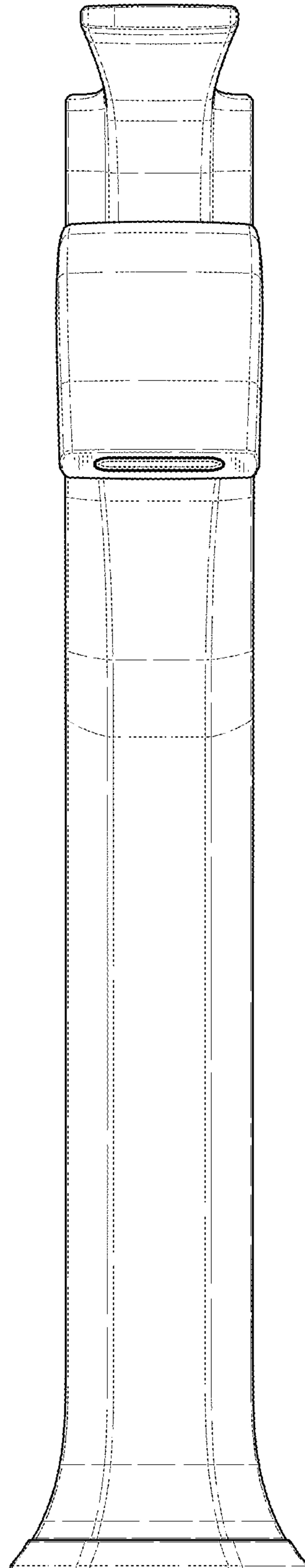


FIG. 3

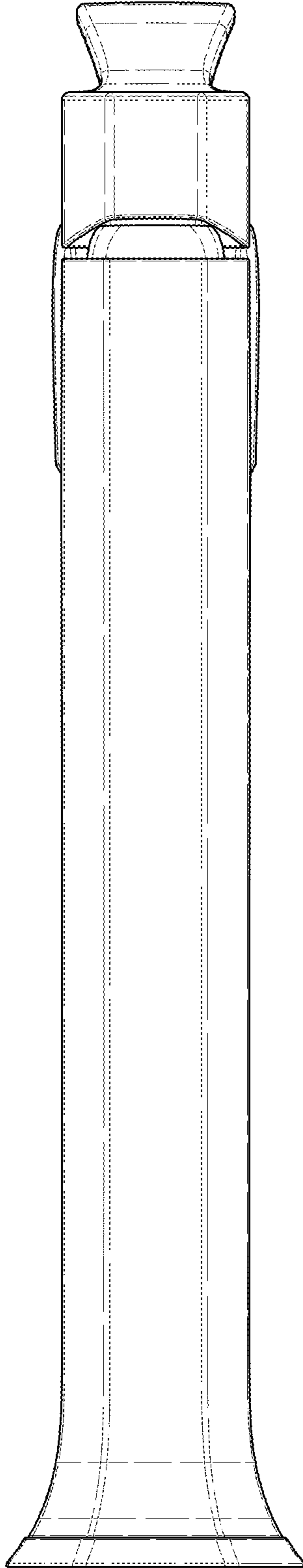


FIG. 4

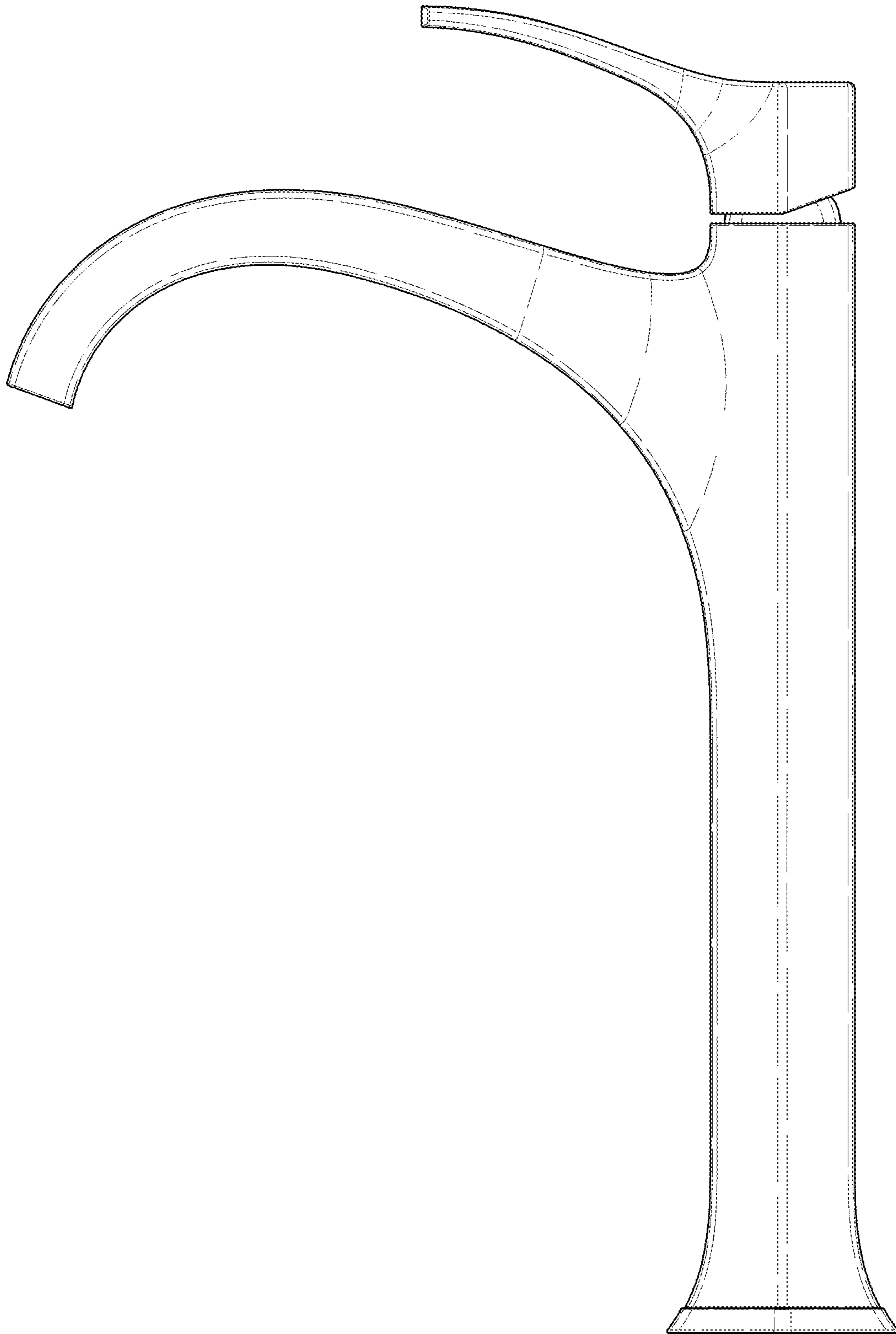


FIG. 5

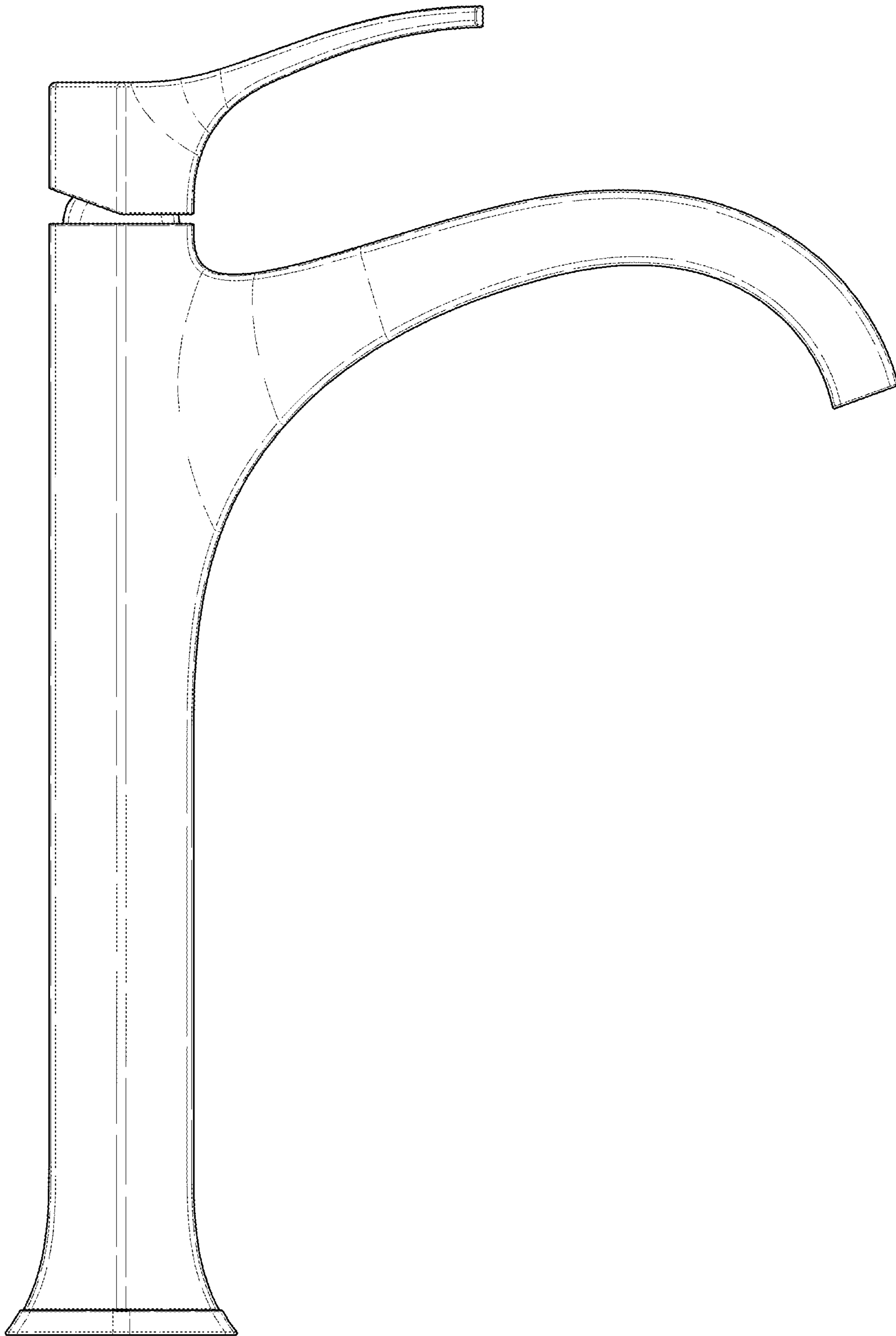


FIG. 6

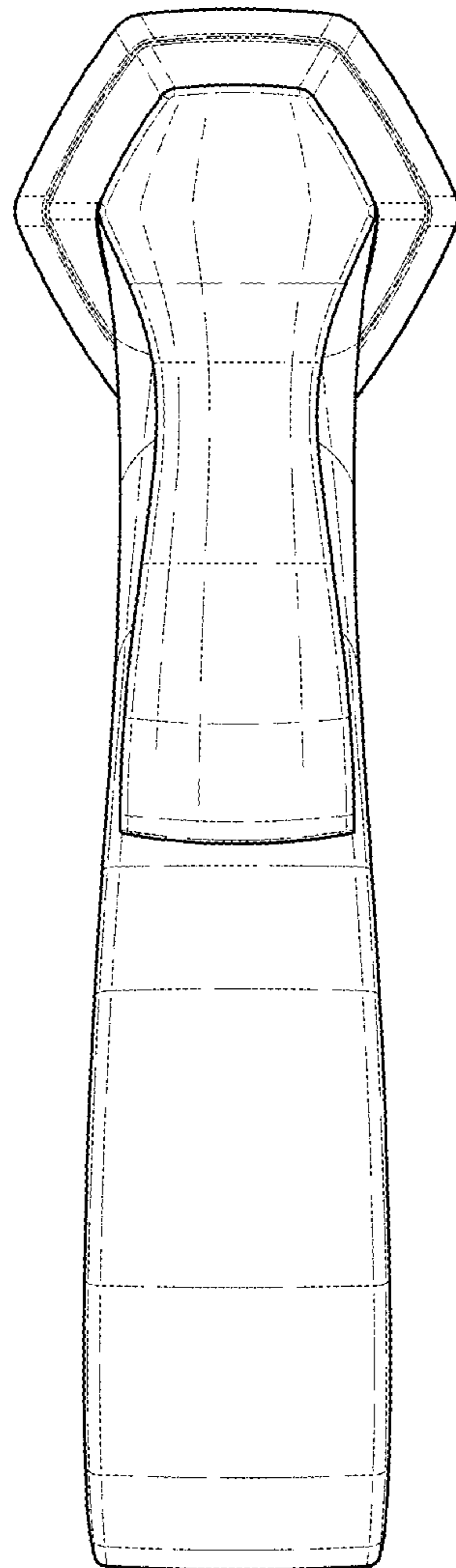


FIG. 7

