



US00D954901S

(12) **United States Design Patent**
Anastassiades

(10) **Patent No.:** **US D954,901 S**
(45) **Date of Patent:** **** Jun. 14, 2022**

(54) **FAUCET**

(71) Applicants: **Boffi S.p.A.**, Lentate sul Seveso (IT);
Fratelli Fantini S.p.A., Pella (IT)

(72) Inventor: **Michael Anastassiades**, Pella (IT)

(73) Assignees: **BOFFI S.p.A.**, Lentate sul Seveso (IT);
FRATELLI FANTINI S.p.A., Pella (IT)

(**) Term: **15 Years**

(21) Appl. No.: **29/708,650**

(22) Filed: **Oct. 8, 2019**

(30) **Foreign Application Priority Data**

Apr. 9, 2019 (EM) 006372850

(51) **LOC (13) Cl.** **23-01**

(52) **U.S. Cl.**
USPC **D23/238**

(58) **Field of Classification Search**
USPC D23/238-244, 252, 254-255, 257;
D8/307-308

(Continued)

(56) **References Cited**

U.S. PATENT DOCUMENTS

3,620,241 A * 11/1971 Brown E03C 1/102
137/216

D312,300 S * 11/1990 Joerger D23/241
(Continued)

FOREIGN PATENT DOCUMENTS

CN 303226838 * 1/2015
CN 303889815 * 5/2016

OTHER PUBLICATIONS

Fantini, post date Nov. 14, 2018[online], [site visited Mar. 5, 2021].
Available from internet, URL:<<https://www.facebook.com/>

Fantinirubinetti/photos/a.521487084561202/2061375110572384/?
type=3&theater> (Year: 2018).*

Primary Examiner — Barbara Fox

Assistant Examiner — Jamaal Rasheed

(74) *Attorney, Agent, or Firm* — MH2 Technology Law
Group LLP

(57) **CLAIM**

The ornamental design for a faucet, as shown and described.

DESCRIPTION

FIG. 1 is a top, front, left perspective view of a faucet
showing my new design;

FIG. 2 is a bottom plan view thereof;

FIG. 3 is a right-side elevational view thereof;

FIG. 4 is a front elevational view thereof;

FIG. 5 is a left-side elevational view thereof;

FIG. 6 is a rear elevational view thereof;

FIG. 7 is a top, front, right perspective view thereof;

FIG. 8 is a top plan view thereof;

FIG. 9 is a top, front, right perspective view of a first
alternate embodiment of my new design;

FIG. 10 is a bottom plan view thereof;

FIG. 11 is a right-side elevational view thereof;

FIG. 12 is a front elevational view thereof;

FIG. 13 is a left-side elevational view thereof;

FIG. 14 is a rear elevational view thereof;

FIG. 15 is a top, front, left perspective view thereof;

FIG. 16 is a top plan view thereof;

FIG. 17 is a top, front, right perspective view of a second
alternate embodiment of my new design;

FIG. 18 is a bottom plan view thereof;

FIG. 19 is a right-side elevational view thereof;

FIG. 20 is a front elevational view thereof;

FIG. 21 is a left-side elevational view thereof;

FIG. 22 is a rear elevational view thereof;

FIG. 23 is a top, front, left perspective view thereof;

FIG. 24 is a top plan view thereof;

FIG. 25 is a top, rear, left perspective view of a third
alternate embodiment of my new design;

FIG. 26 is a front elevational view thereof;

(Continued)

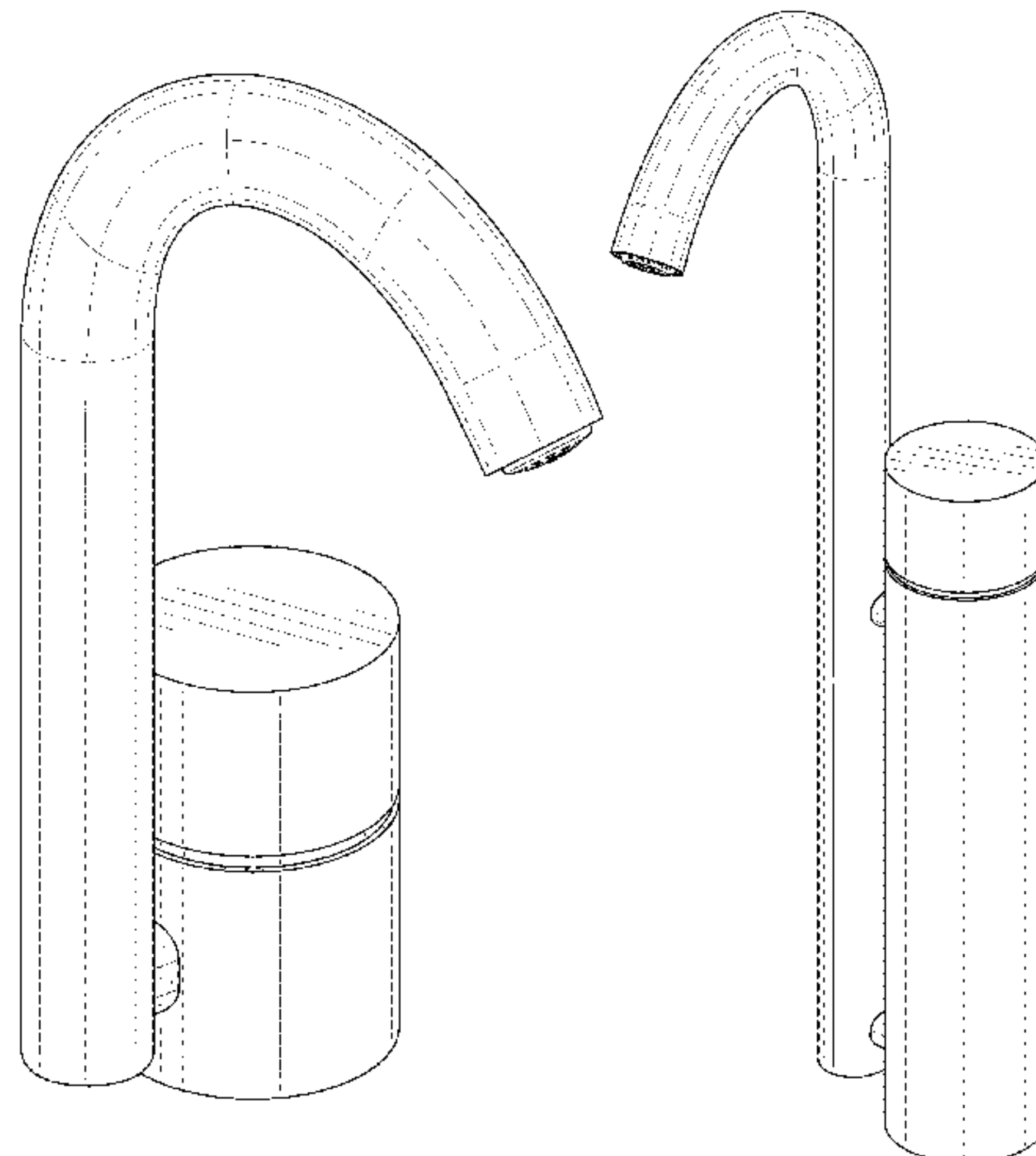


FIG. 27 is a right-side elevational view thereof;
 FIG. 28 is a top plan view thereof;
 FIG. 29 is a left-side elevational view thereof;
 FIG. 30 is a bottom plan view thereof;
 FIG. 31 is a top, rear, right perspective view thereof; and,
 FIG. 32 is a rear elevational view thereof.
 The broken lines in FIGS. 2, 10, 18, and 30 depict portions
 of the faucet that form no part of the claimed design.

1 Claim, 32 Drawing Sheets

(58) **Field of Classification Search**

CPC F16K 31/602; F16K 31/605; F16K 31/607;
 E03C 1/0412

See application file for complete search history.

(56) **References Cited**

U.S. PATENT DOCUMENTS

D363,536 S * 10/1995 Hill D23/255
 D456,878 S * 5/2002 Gottwald D23/238
 D457,938 S * 5/2002 Lobermeier D23/238

D457,939 S * 5/2002 Gottwald D23/238
 D478,375 S * 8/2003 Hundley D23/238
 D479,309 S * 9/2003 Haug D23/238
 D481,445 S * 10/2003 Haug D23/238
 D497,409 S * 10/2004 Valfridsson D23/238
 D513,308 S * 12/2005 Pains D23/238
 D524,413 S * 7/2006 Schaffeld D23/238
 D526,700 S * 8/2006 Schaffeld D23/238
 D532,866 S * 11/2006 Kirar D23/238
 D540,914 S * 4/2007 Haug D23/235
 D559,360 S * 1/2008 Burrows D23/238
 D567,908 S * 4/2008 Semchuck D23/238
 D612,910 S * 3/2010 Lammel D23/238
 D644,302 S * 8/2011 Flowers D23/238
 D645,544 S * 9/2011 Flowers D23/238
 D646,358 S * 10/2011 Sieger D23/238
 D655,785 S * 3/2012 Fukasawa D23/242
 D655,786 S * 3/2012 Fukasawa D23/242
 D662,184 S * 6/2012 Sieger D23/238
 D692,986 S * 11/2013 Flowers D23/238
 D698,423 S * 1/2014 Schoenherr D23/241
 D842,434 S * 3/2019 Jiang D23/238
 2013/0074938 A1 * 3/2013 Chen F16K 37/0033
 137/1
 2018/0119394 A1 * 5/2018 Zhan F16K 11/0743
 2020/0157789 A1 * 5/2020 Awada E03C 1/0412

* cited by examiner

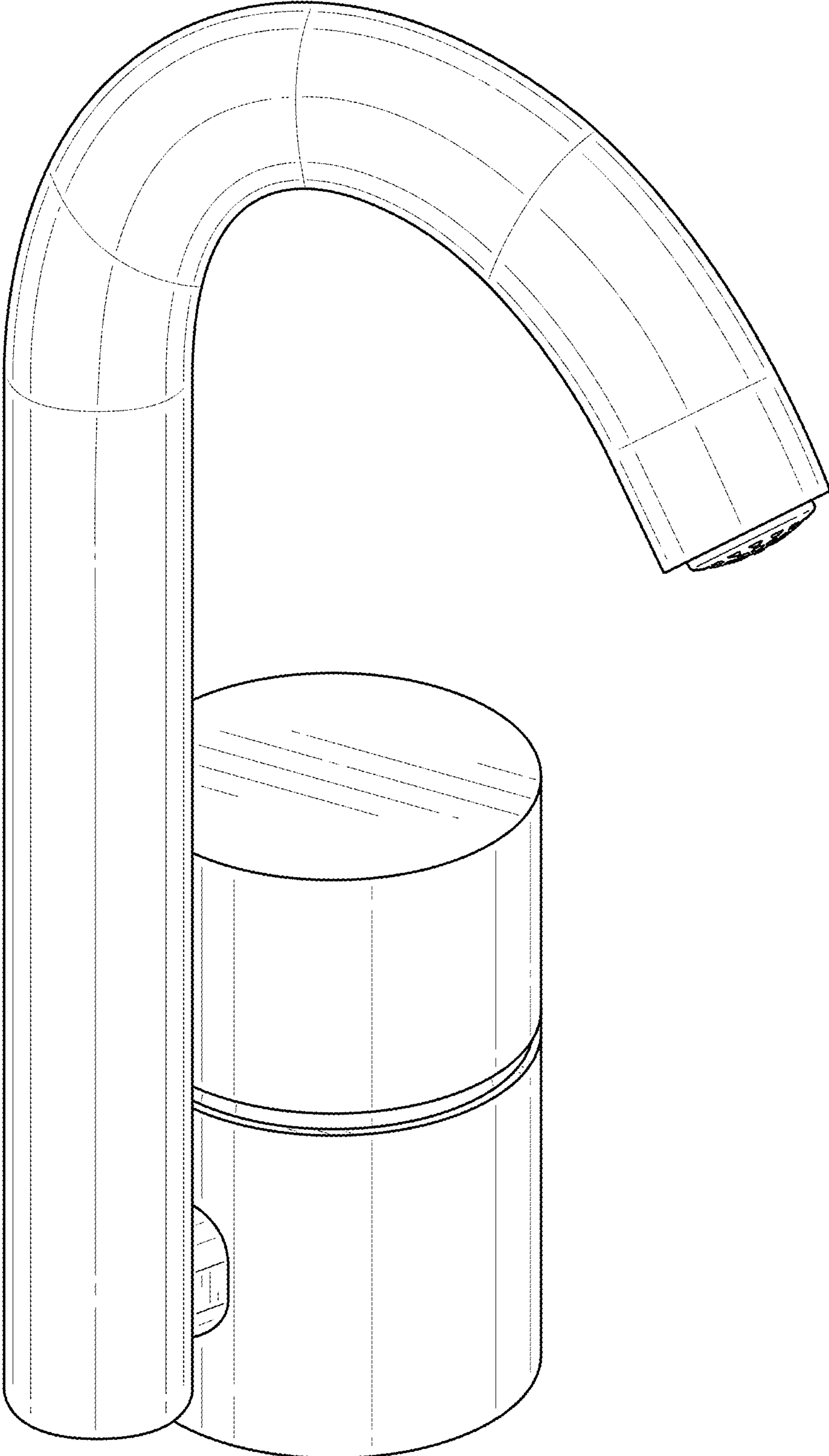


FIG. 1

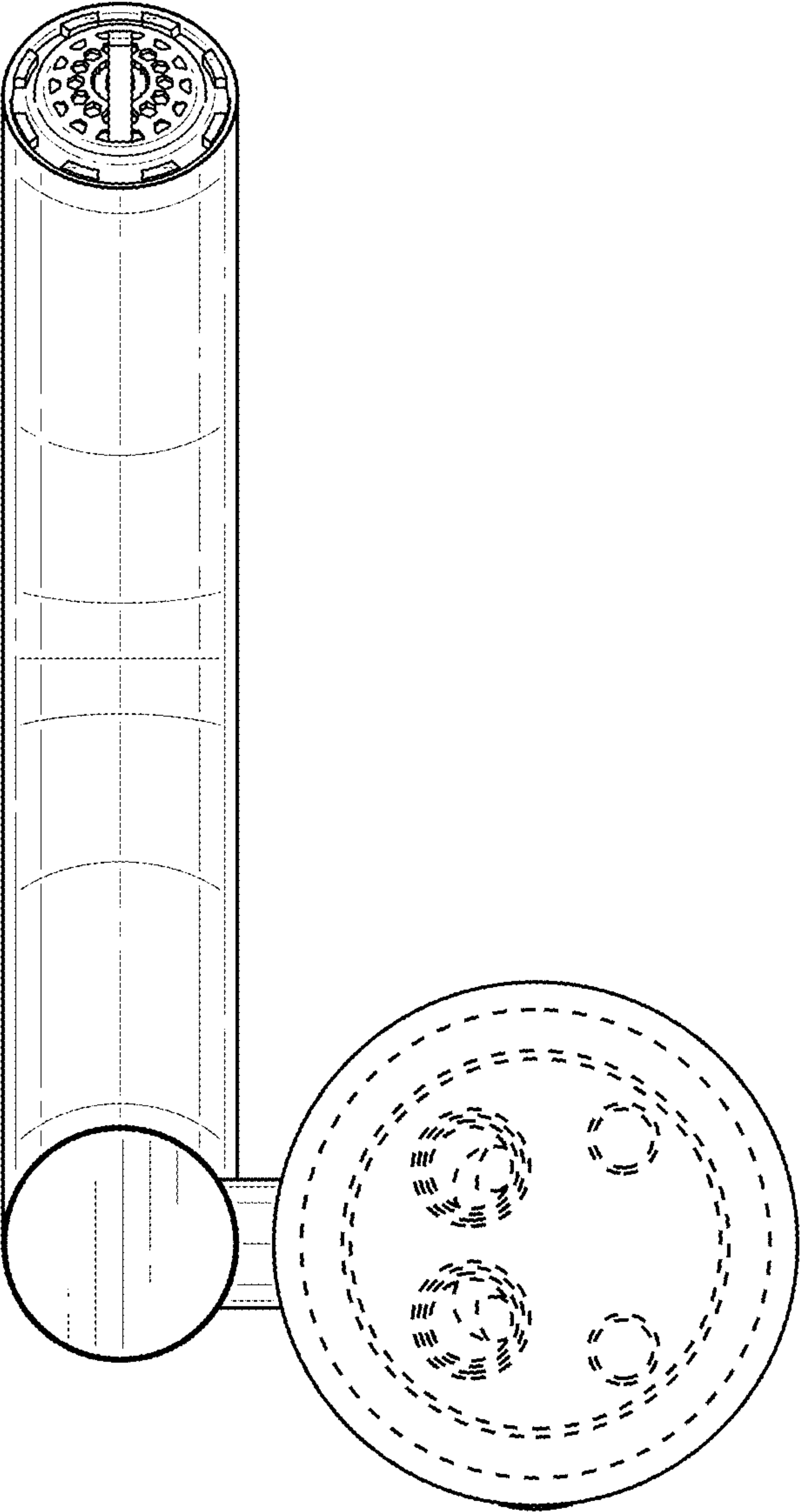


FIG. 2

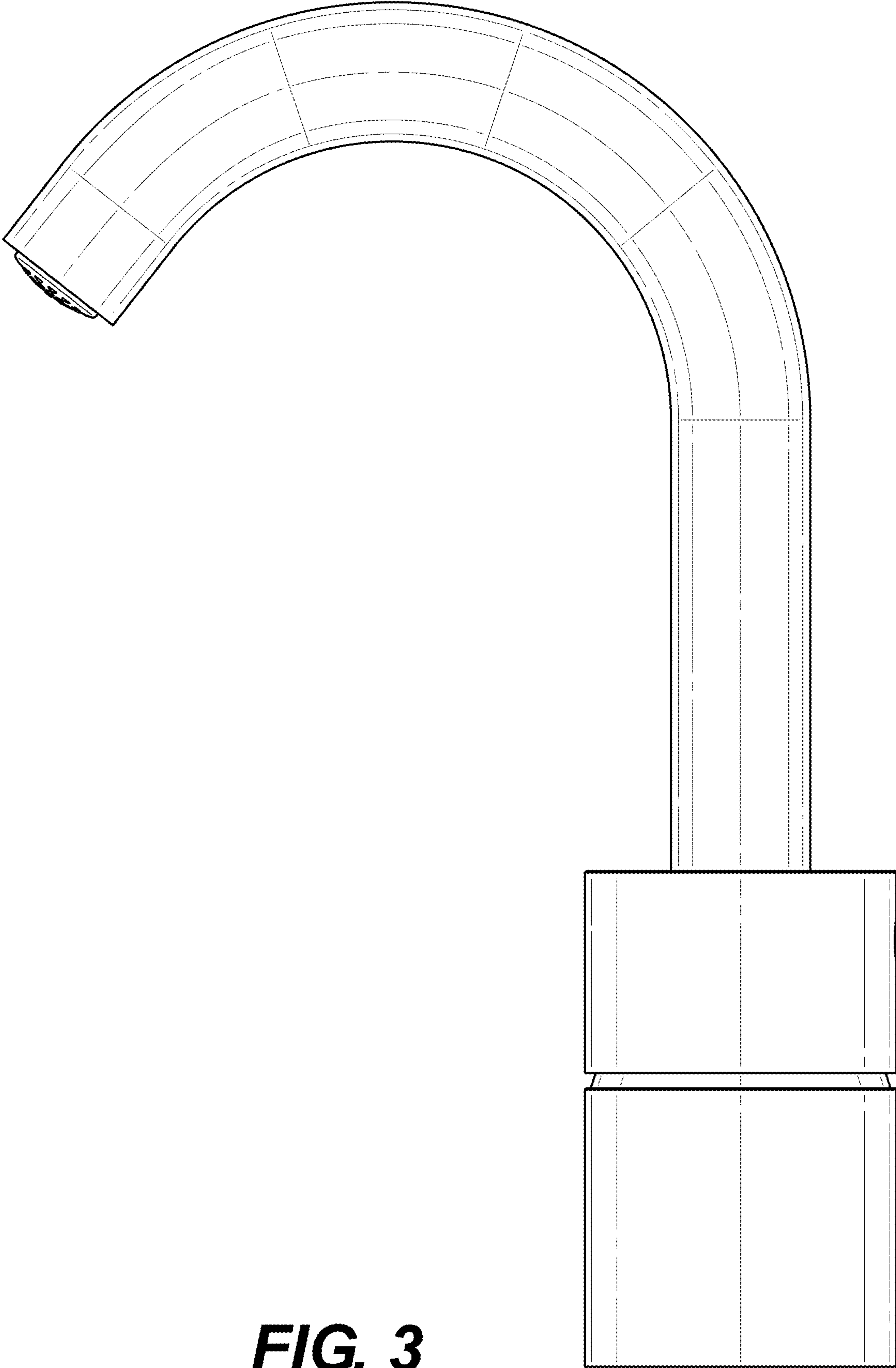


FIG. 3



FIG. 4

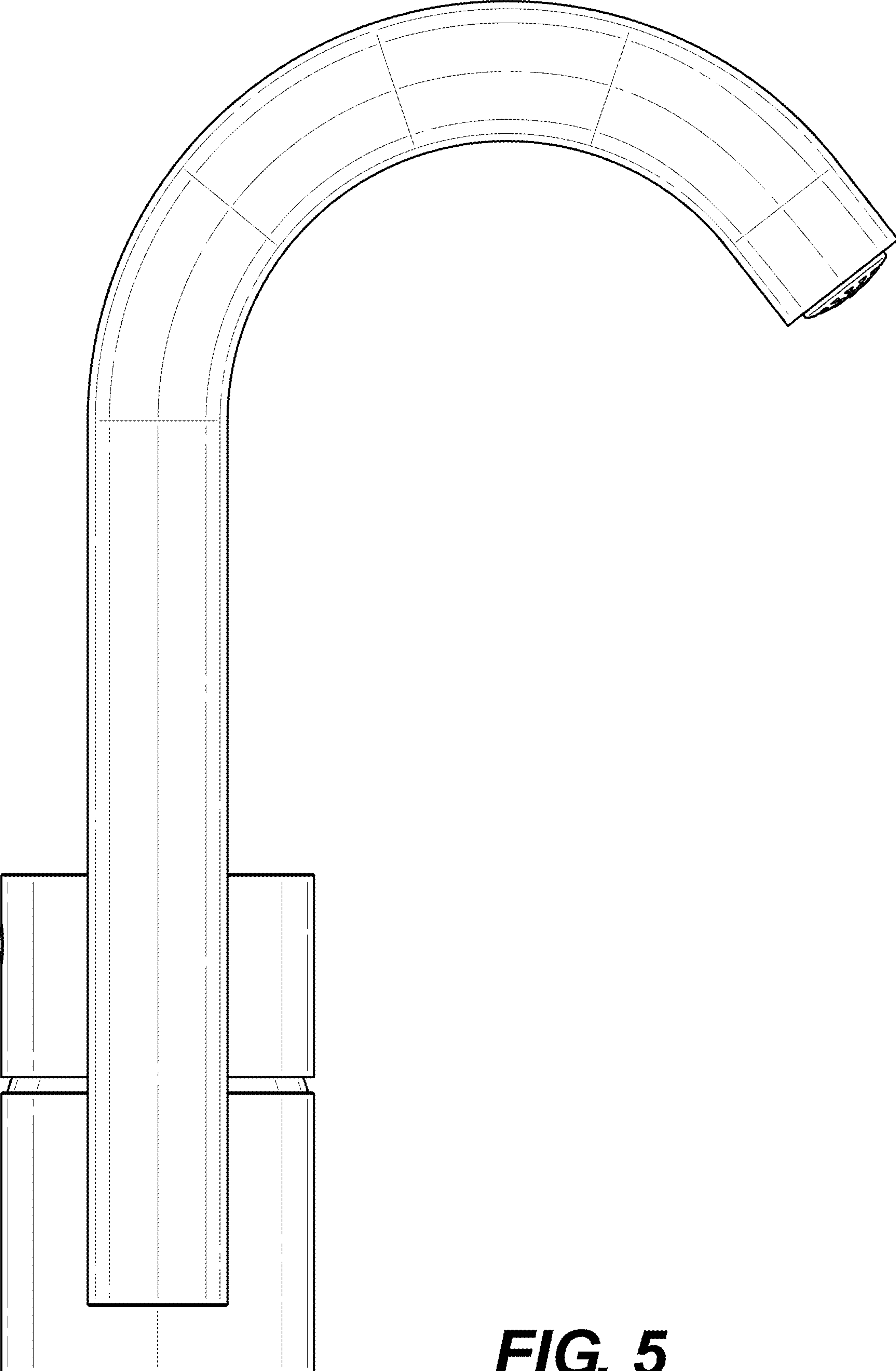


FIG. 5

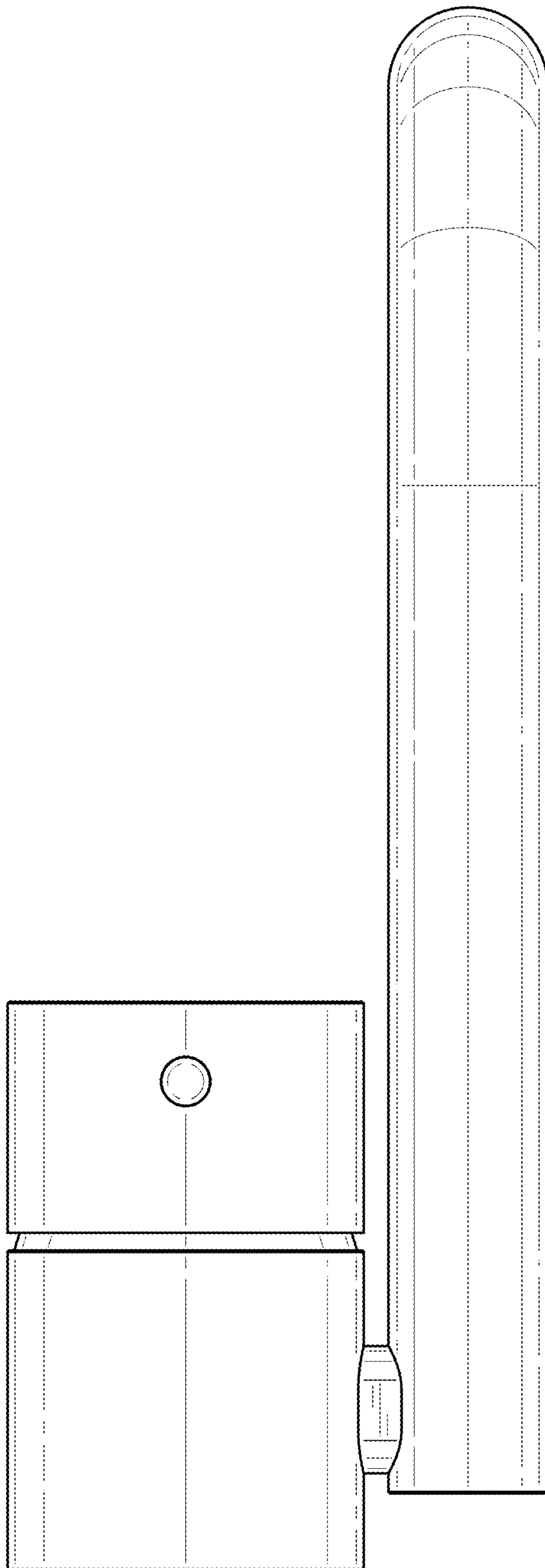


FIG. 6

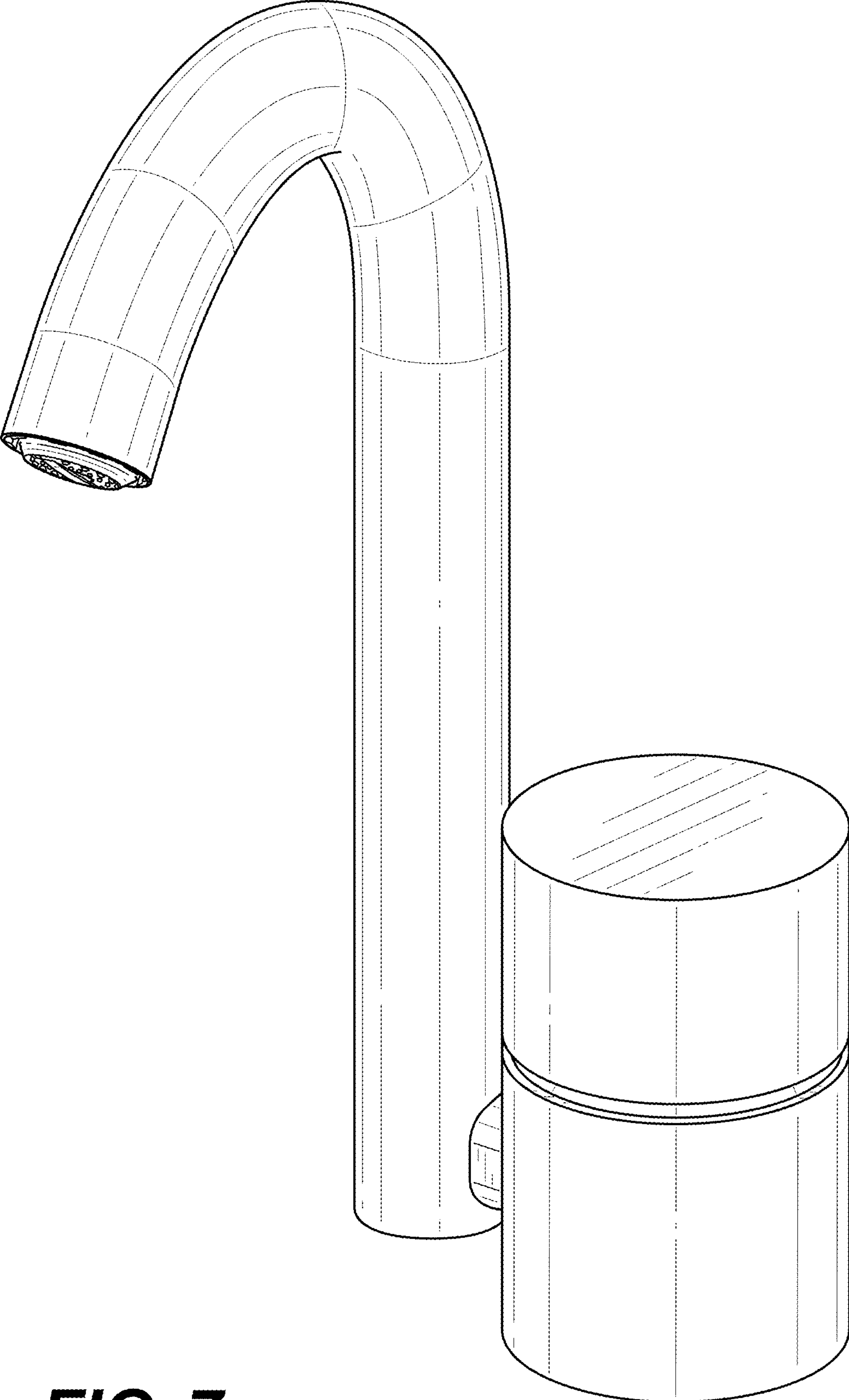


FIG. 7

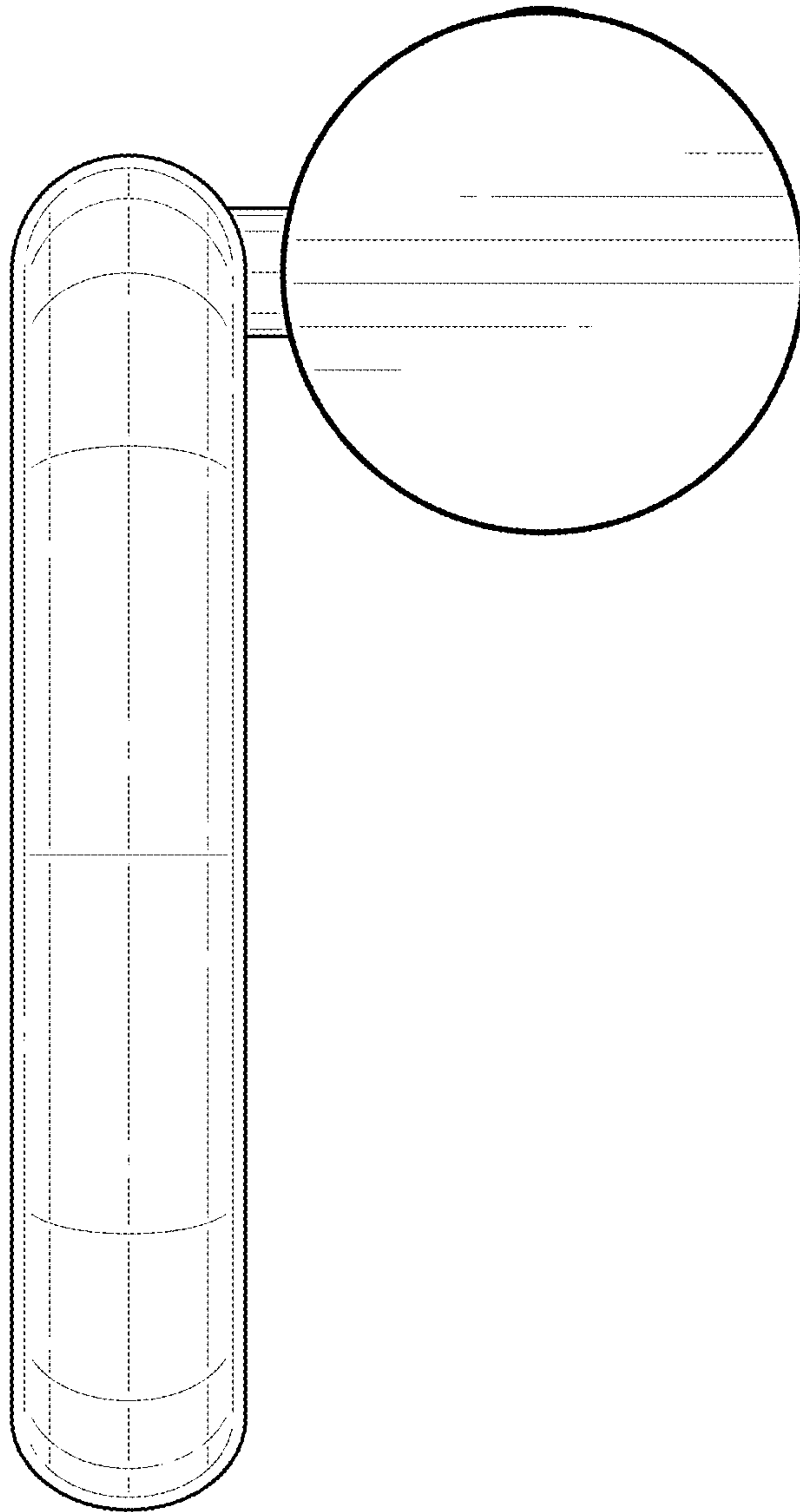


FIG. 8

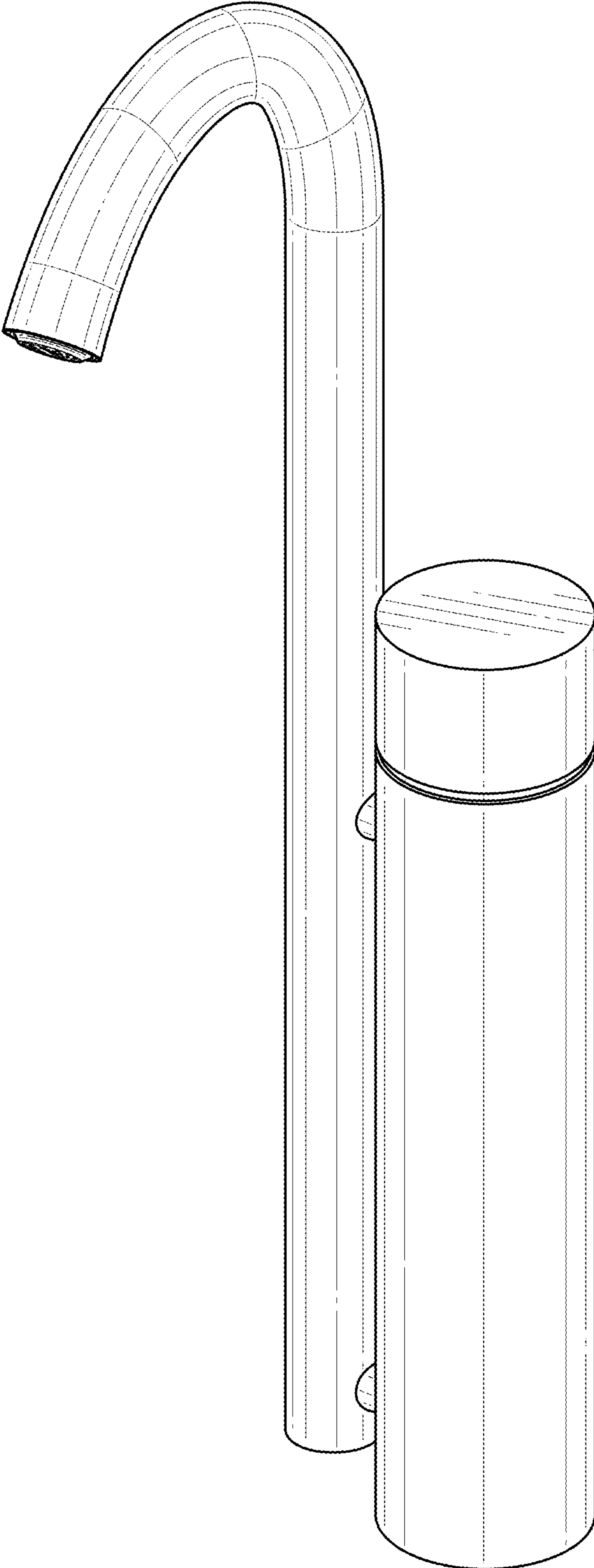


FIG. 9

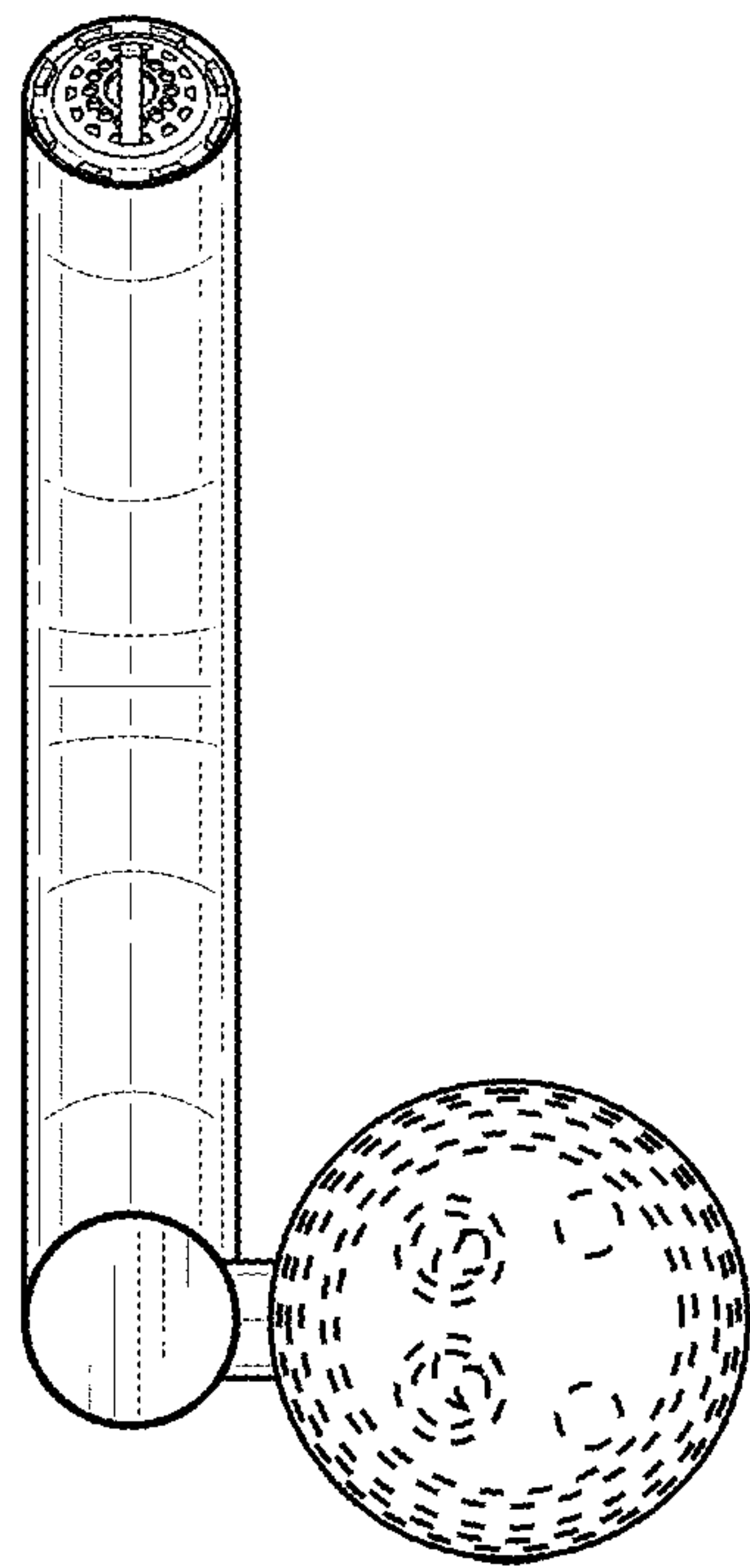


FIG. 10

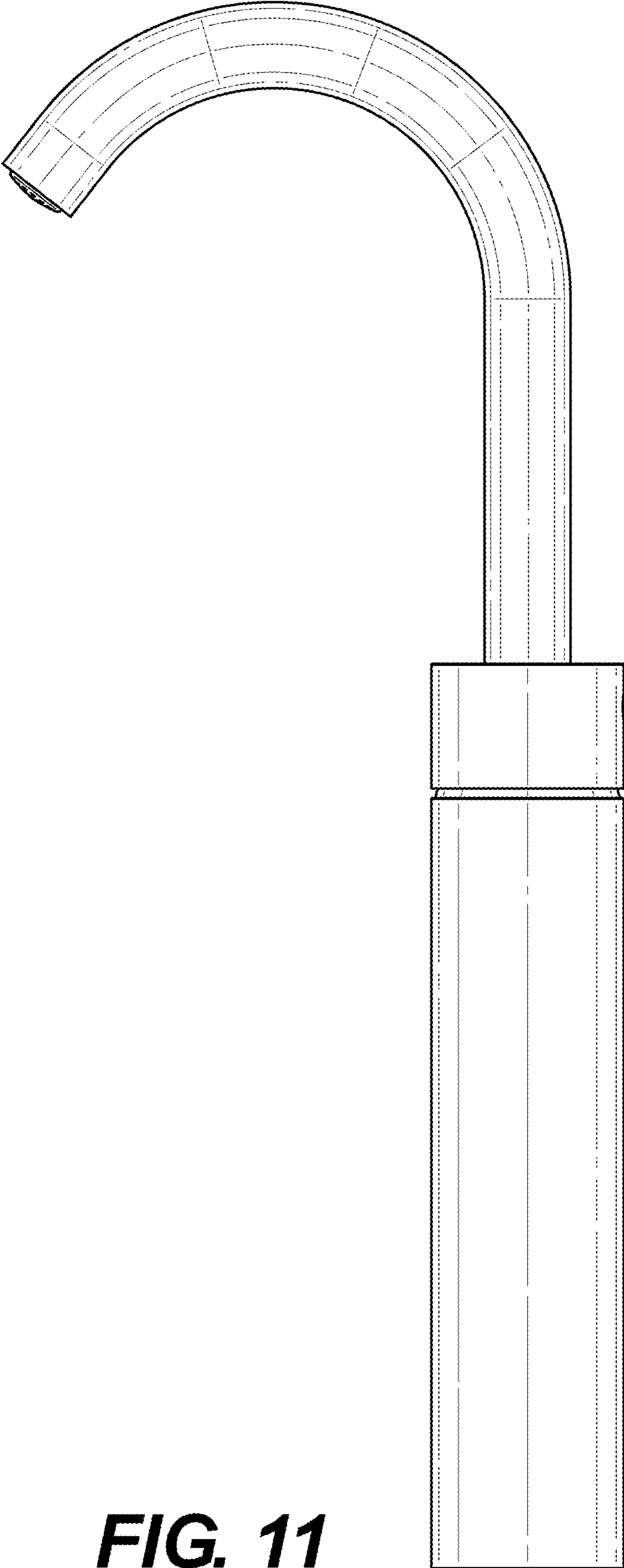


FIG. 11

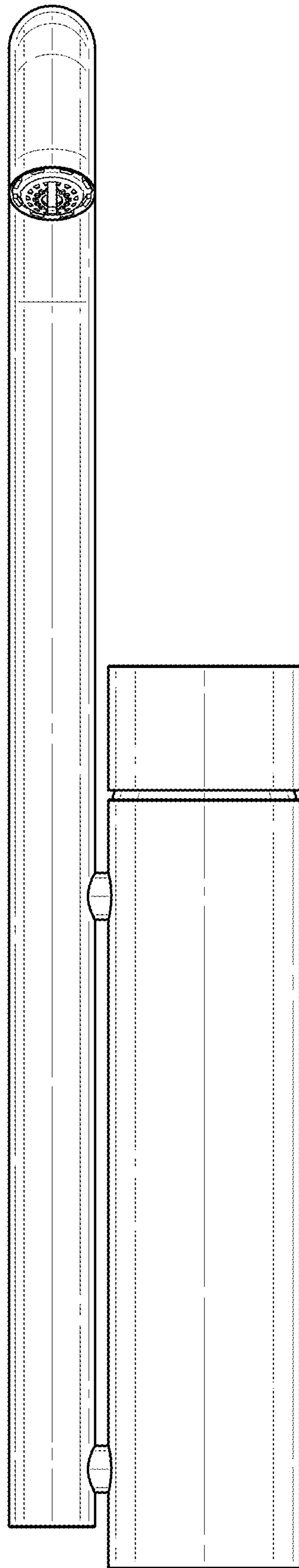


FIG. 12

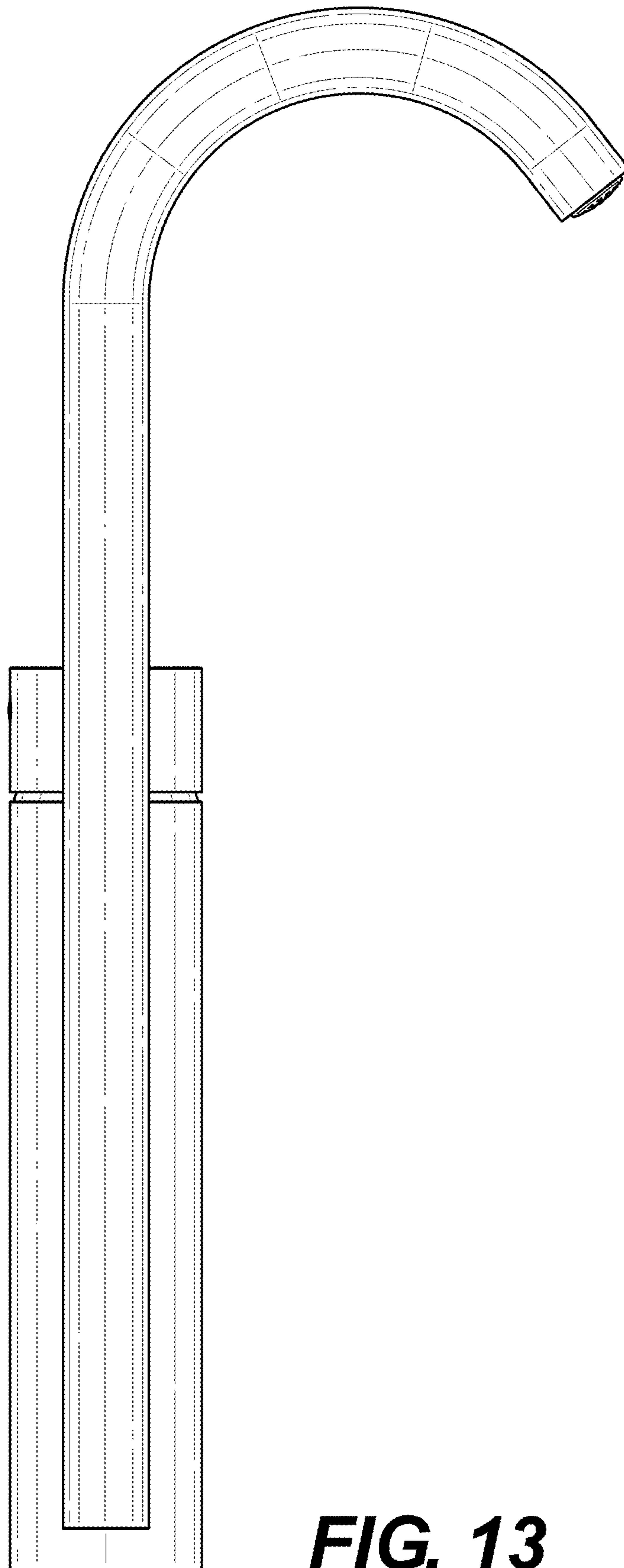


FIG. 13

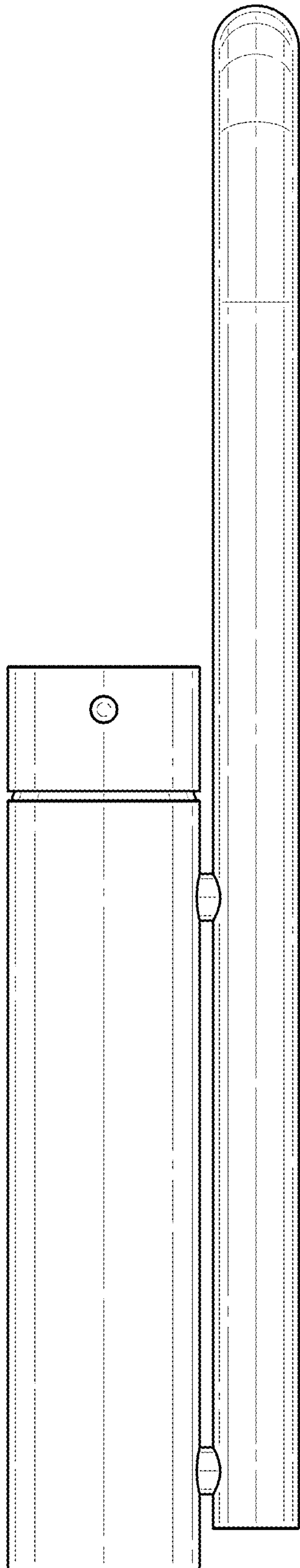


FIG. 14

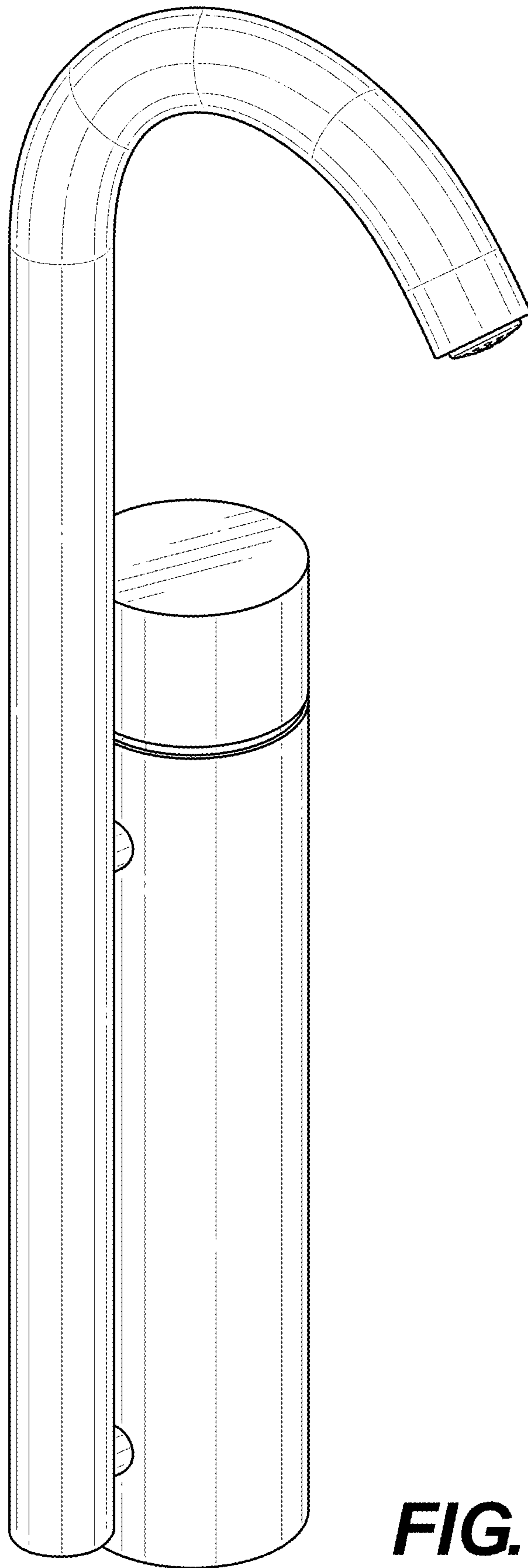


FIG. 15

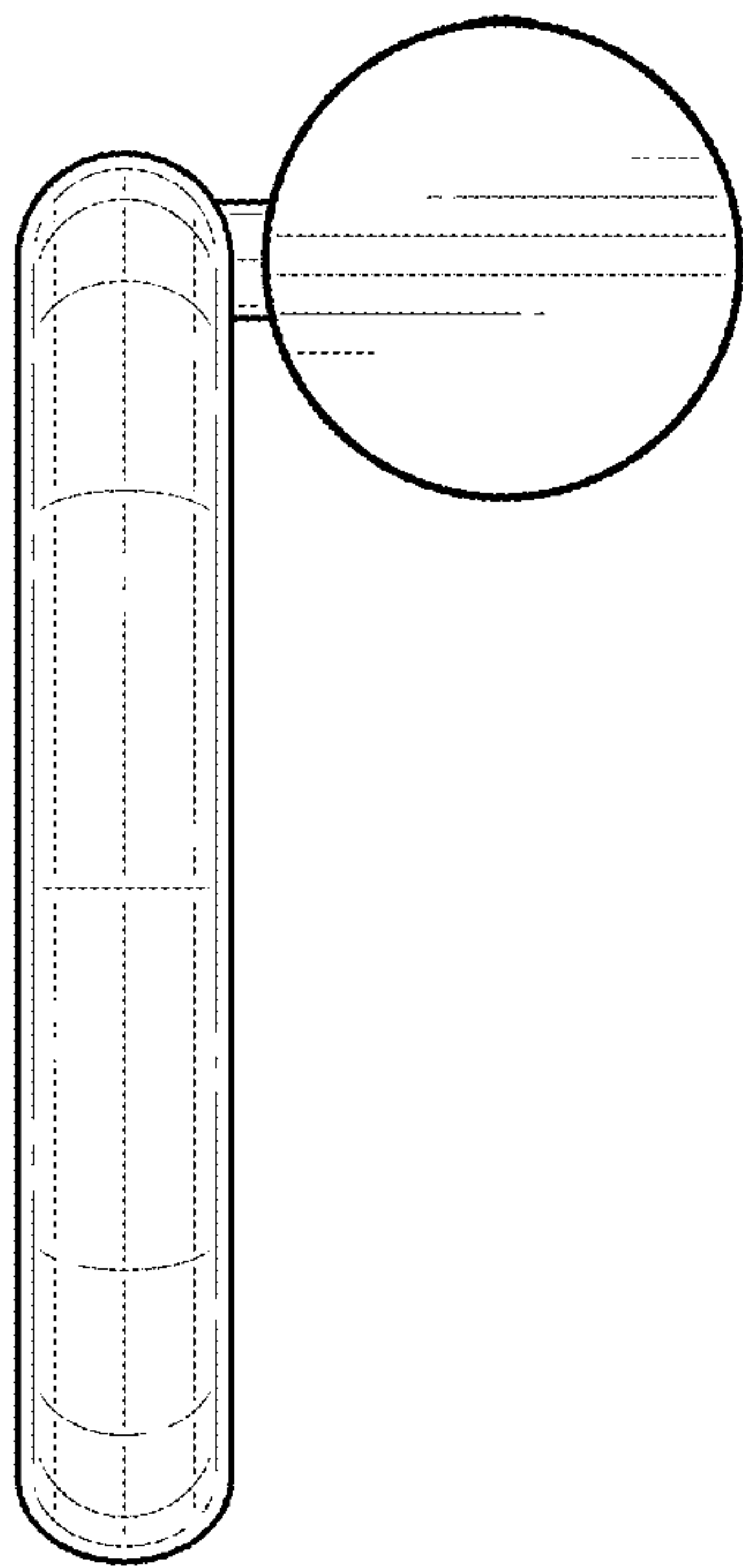


FIG. 16

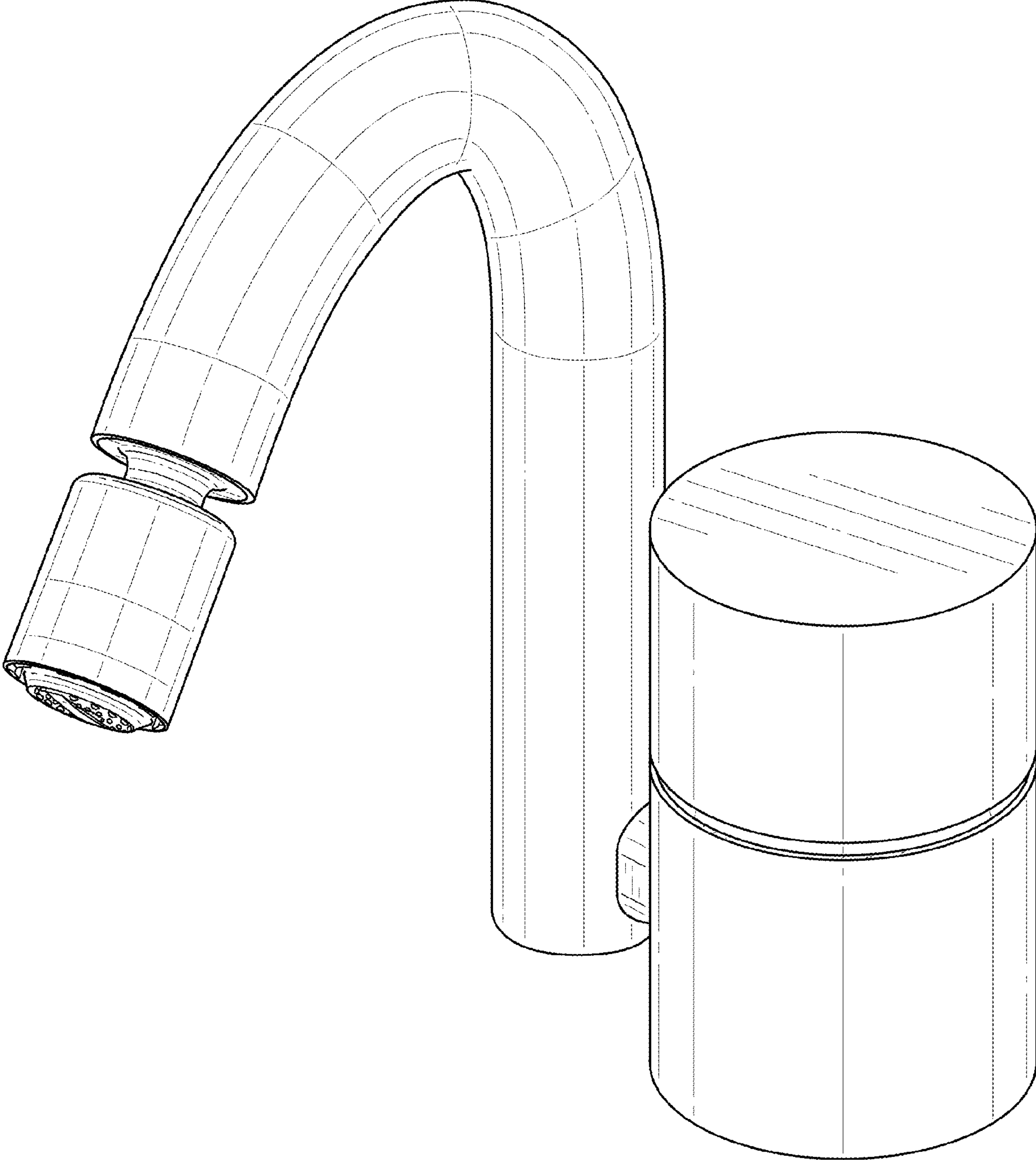


FIG. 17

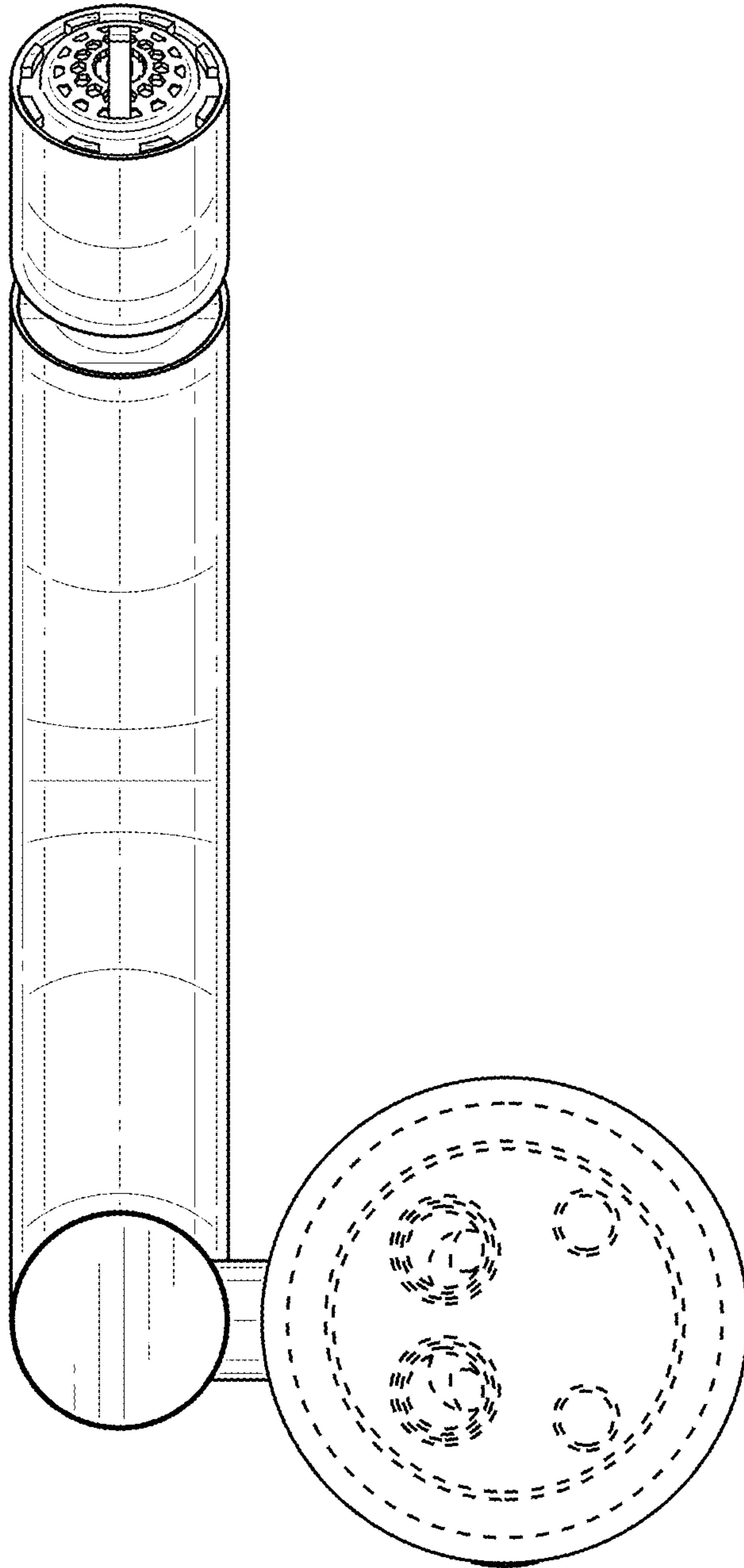


FIG. 18

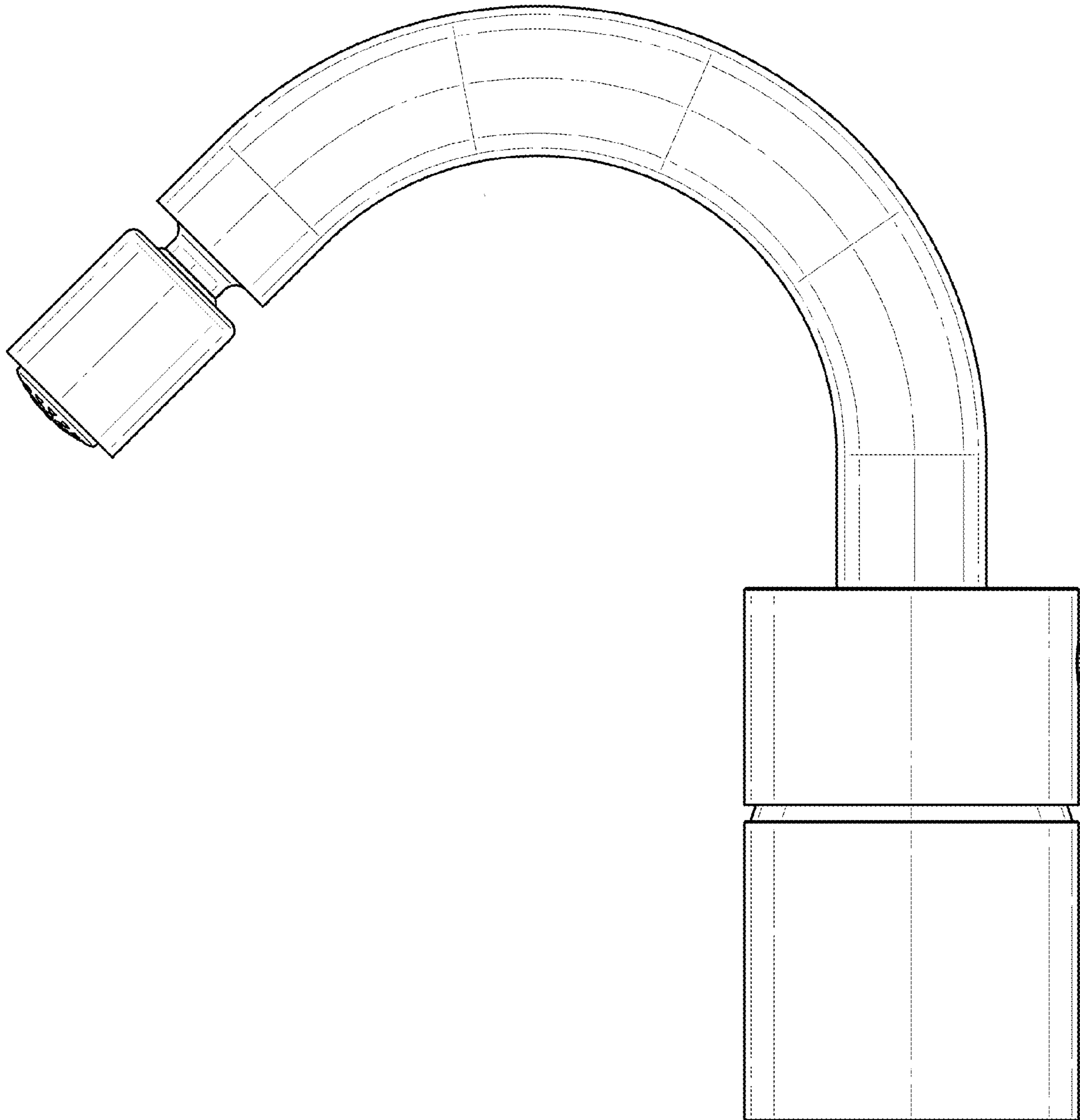


FIG. 19

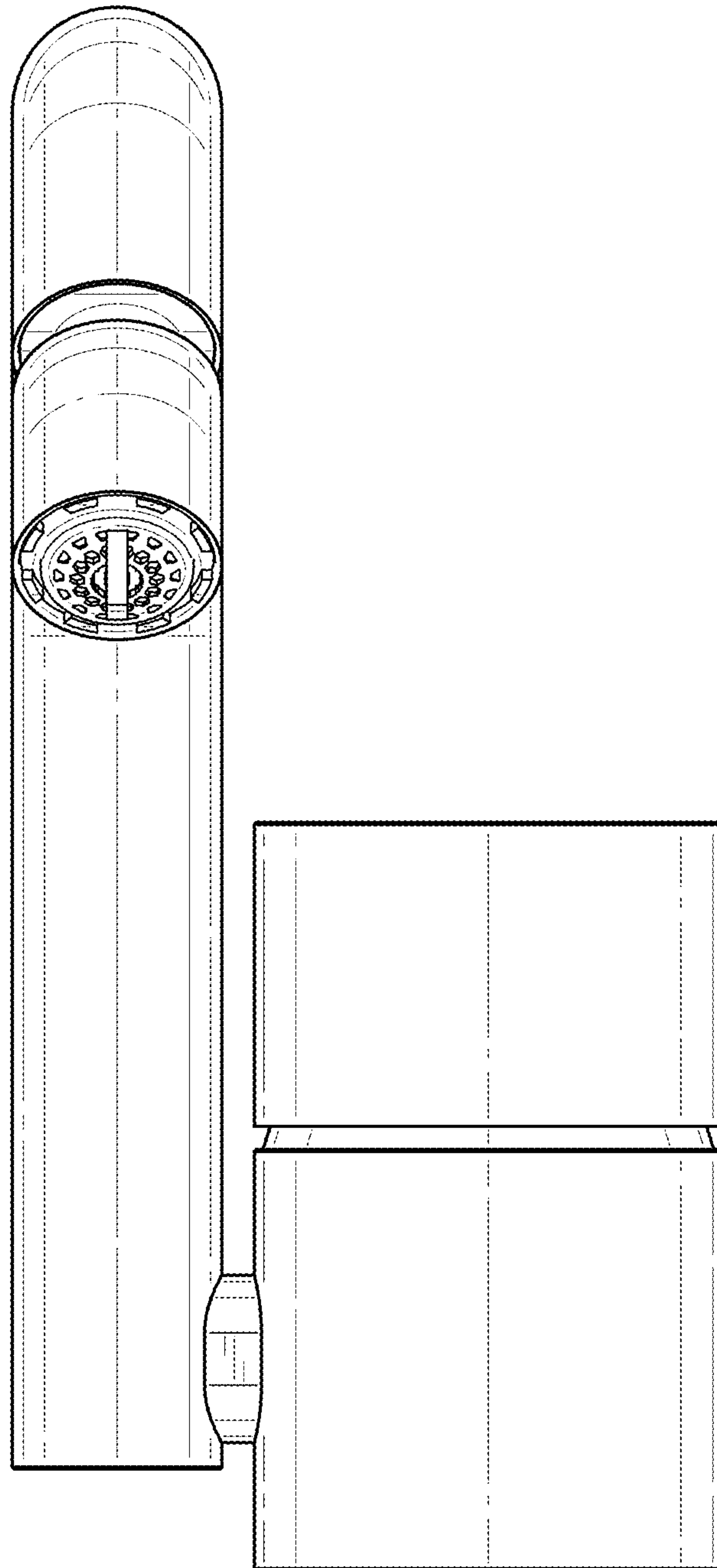


FIG. 20

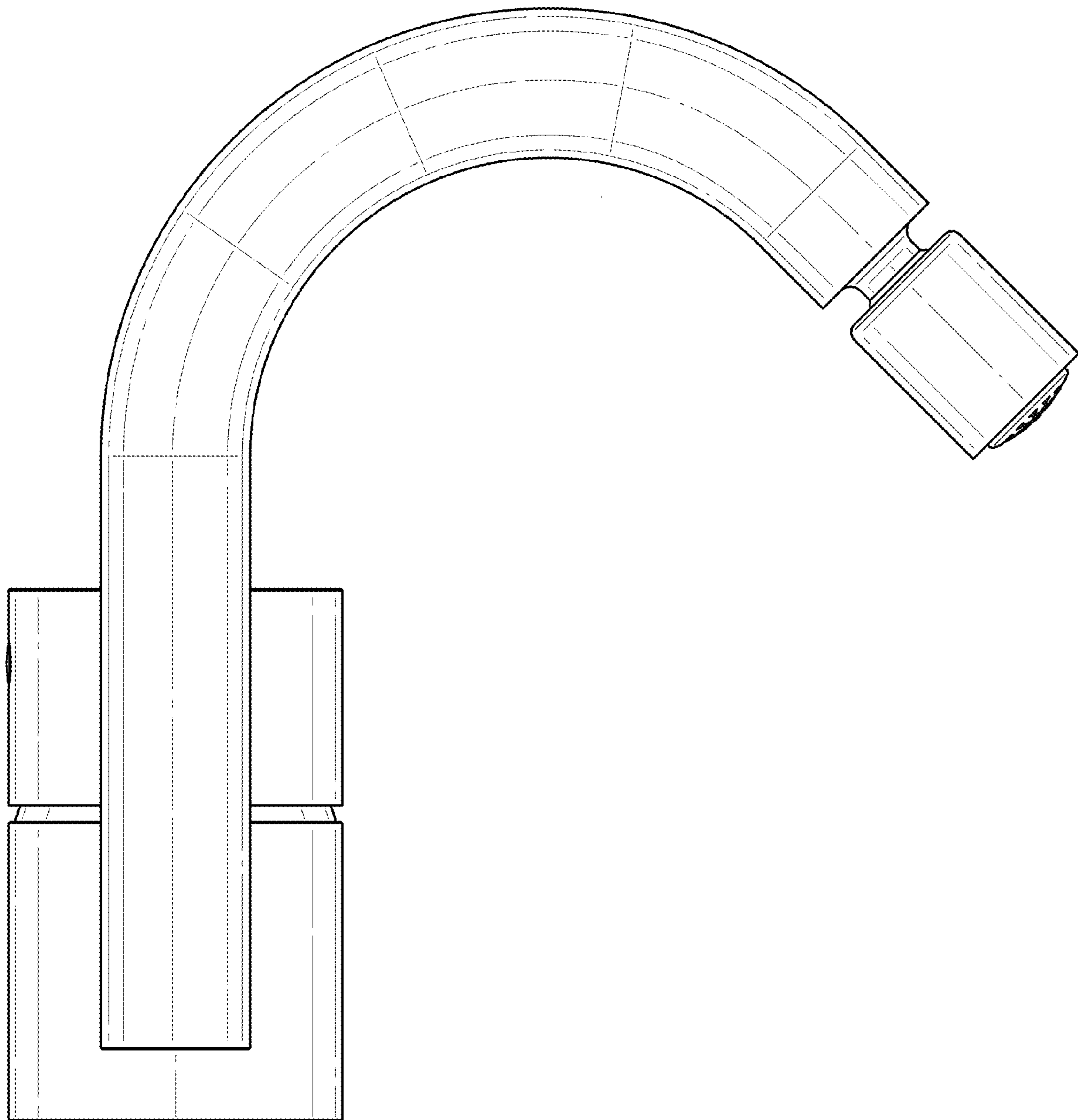


FIG. 21

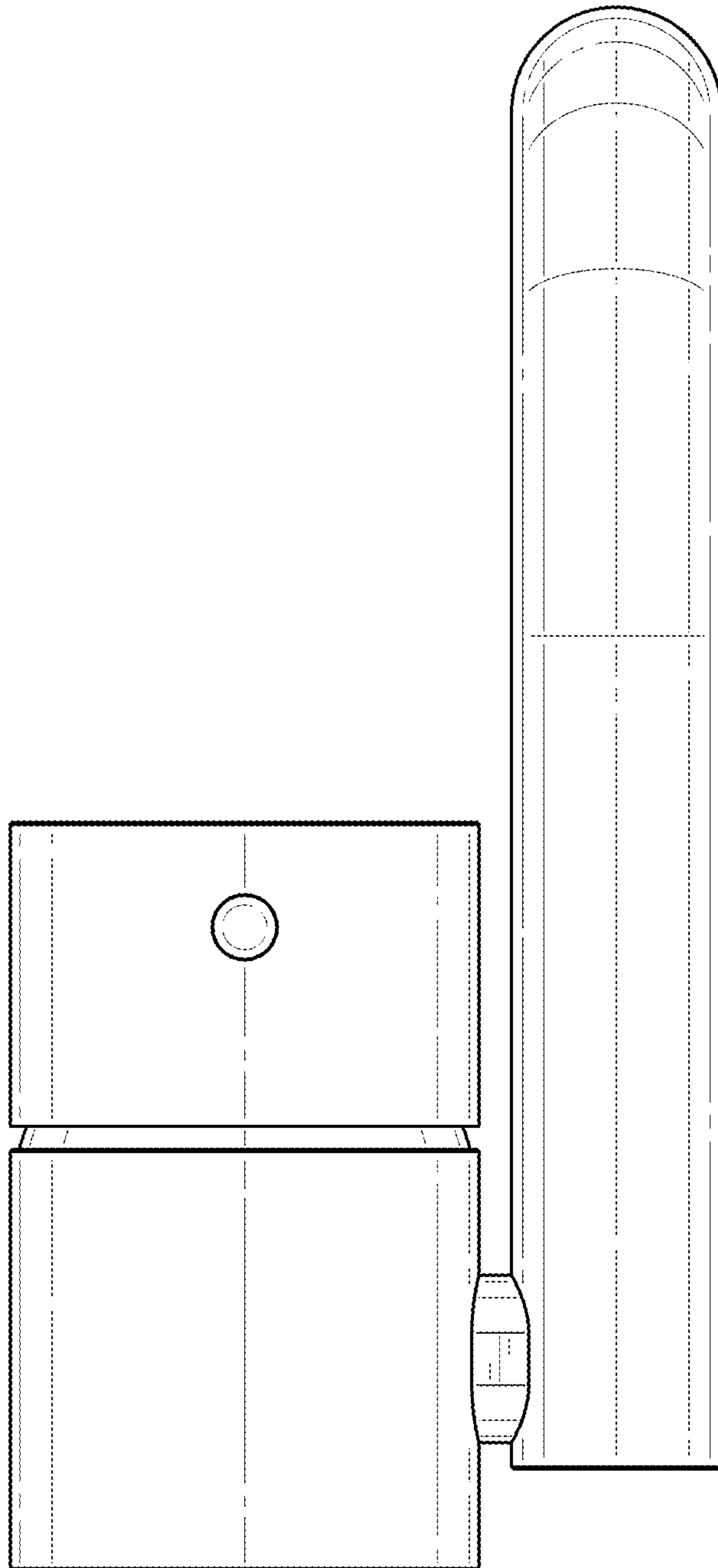


FIG. 22

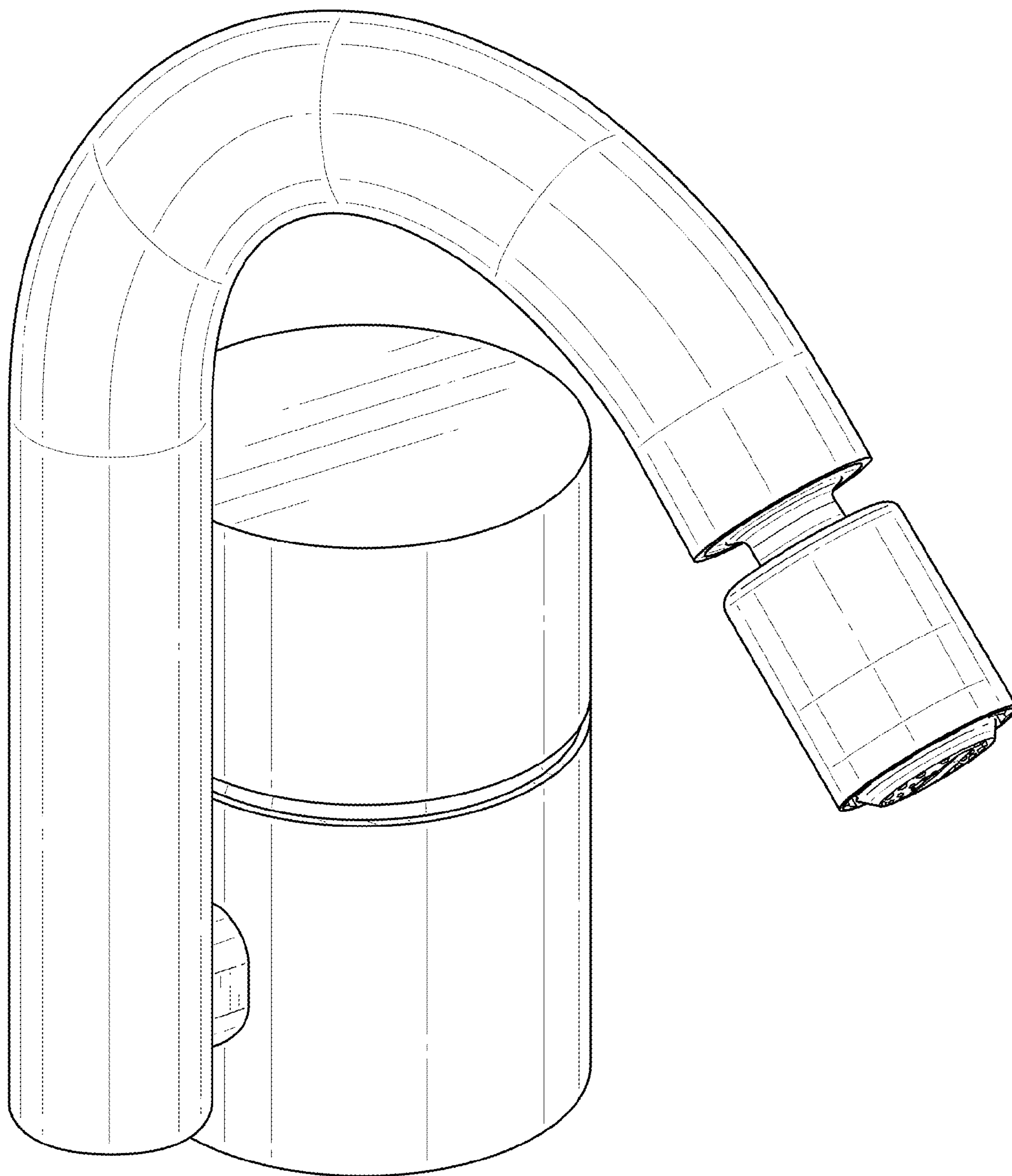


FIG. 23

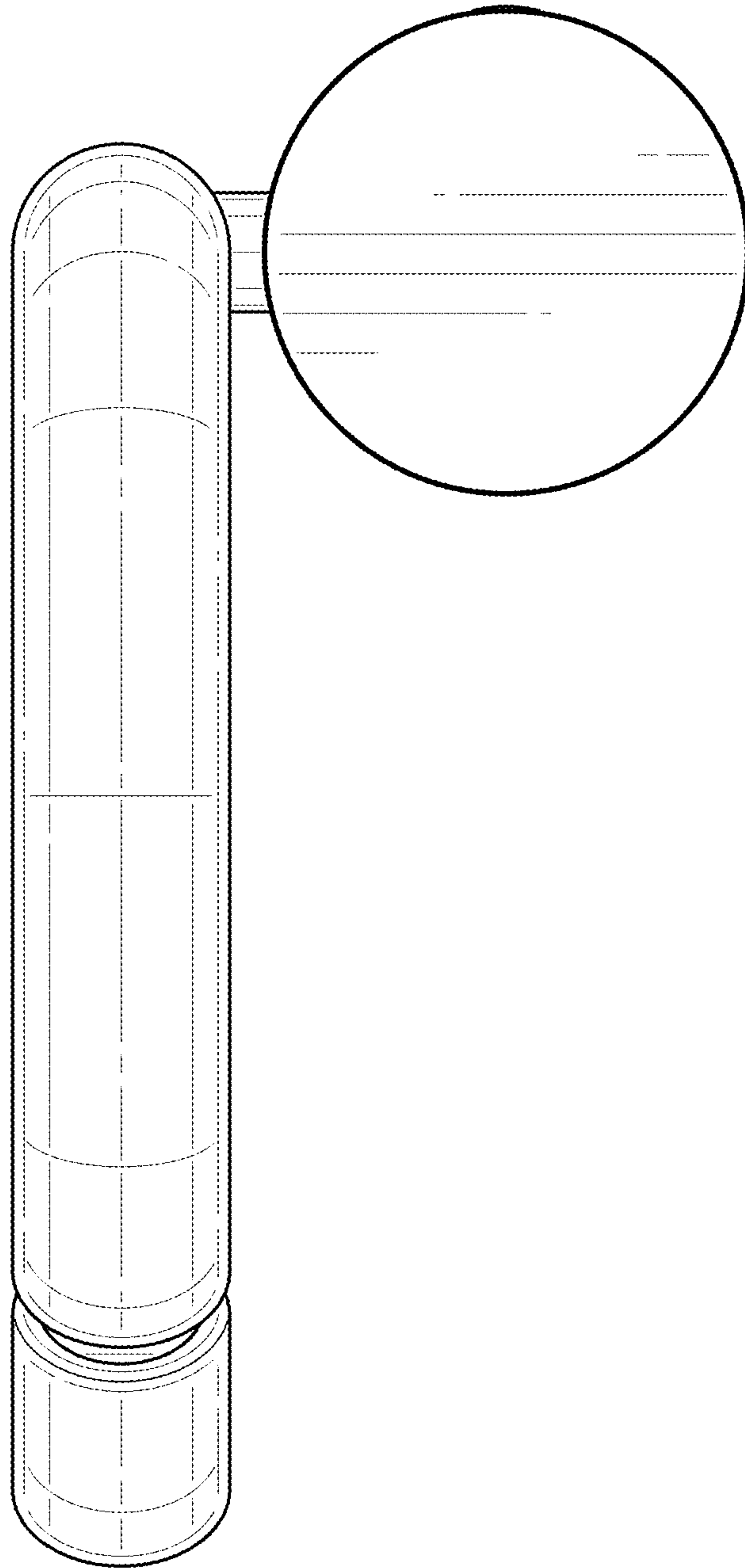


FIG. 24

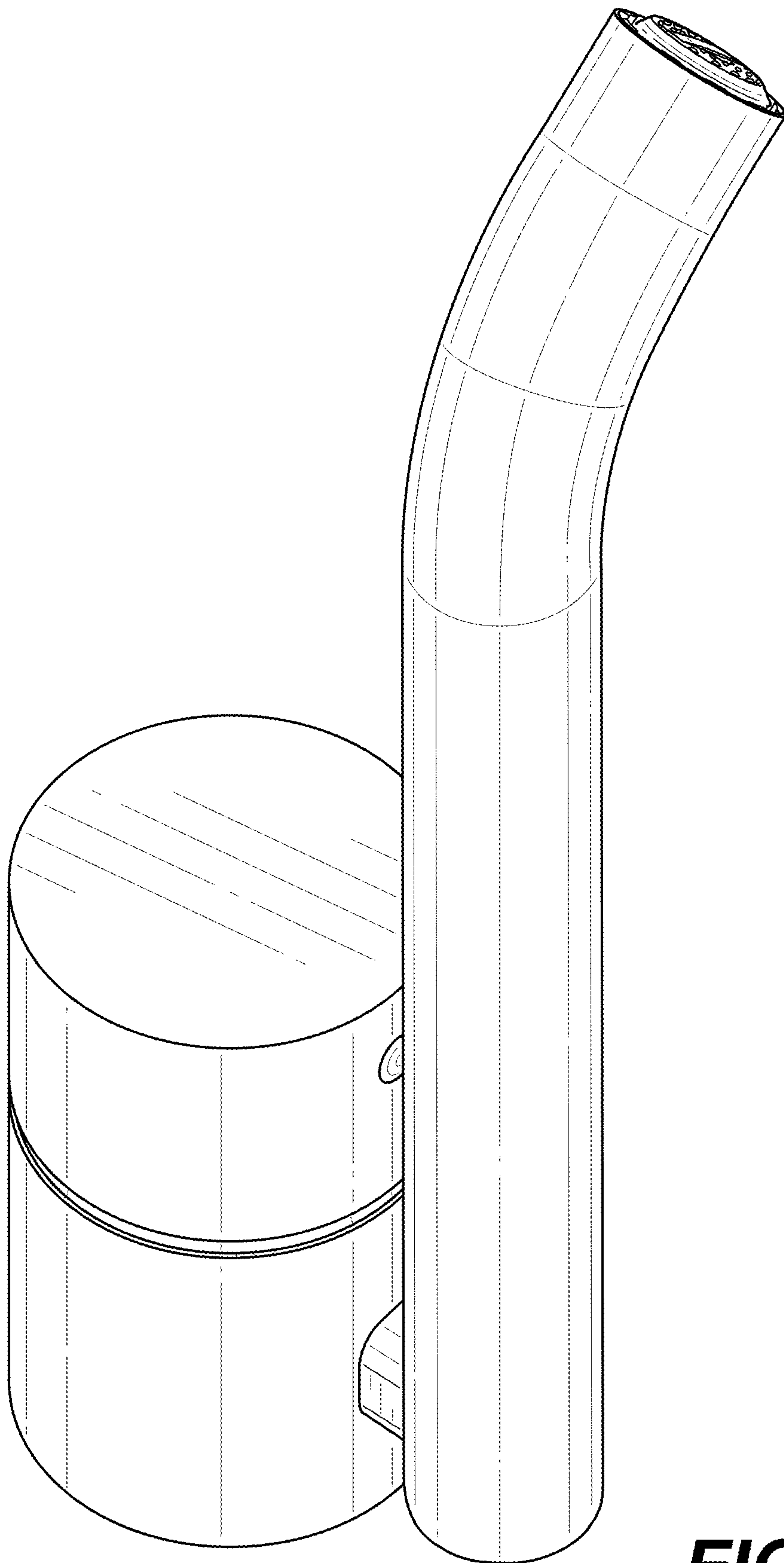


FIG. 25



FIG. 26

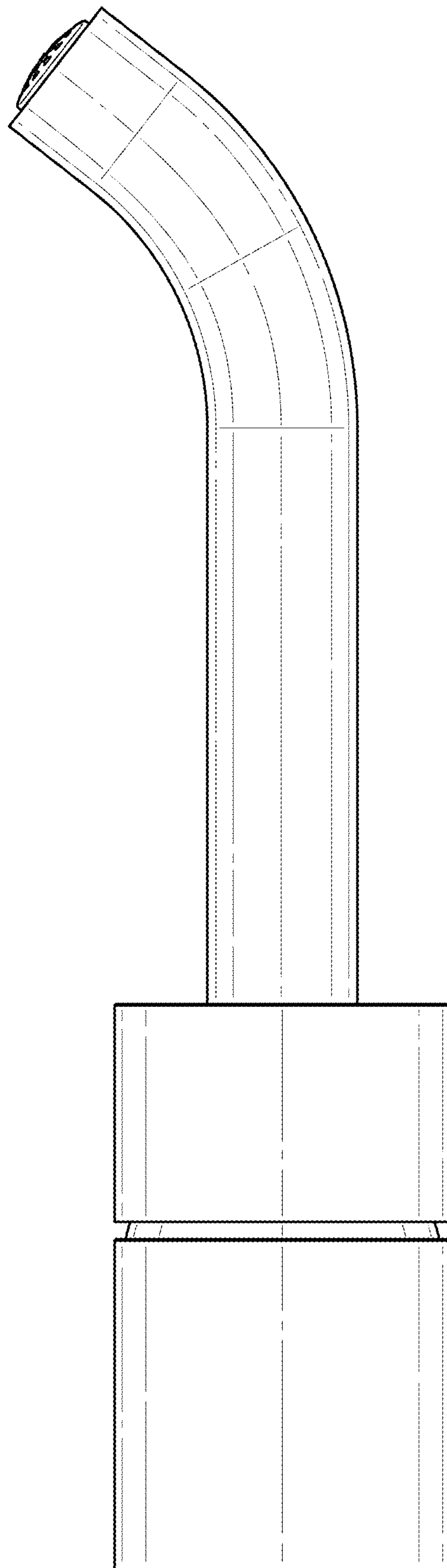


FIG. 27

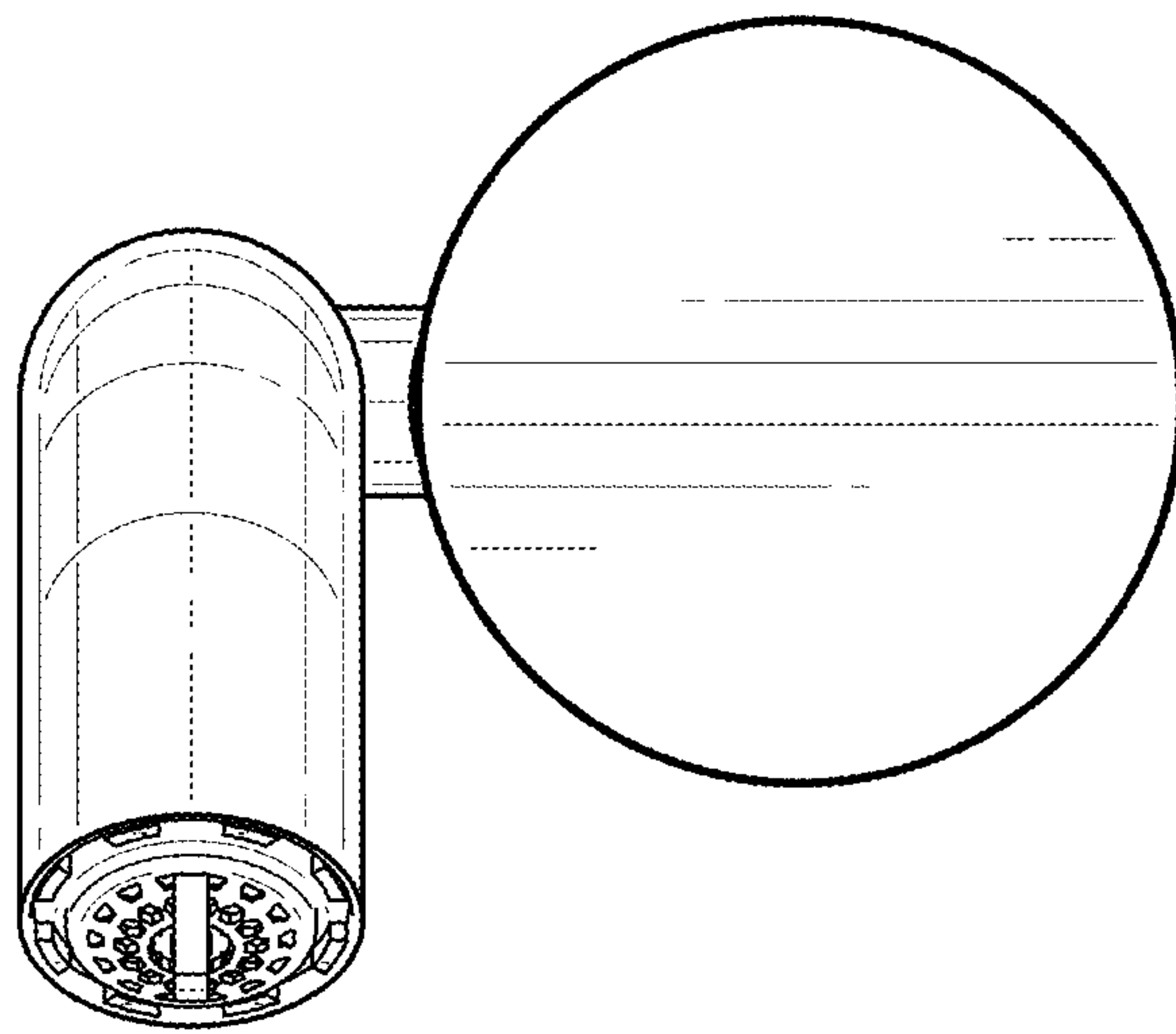


FIG. 28

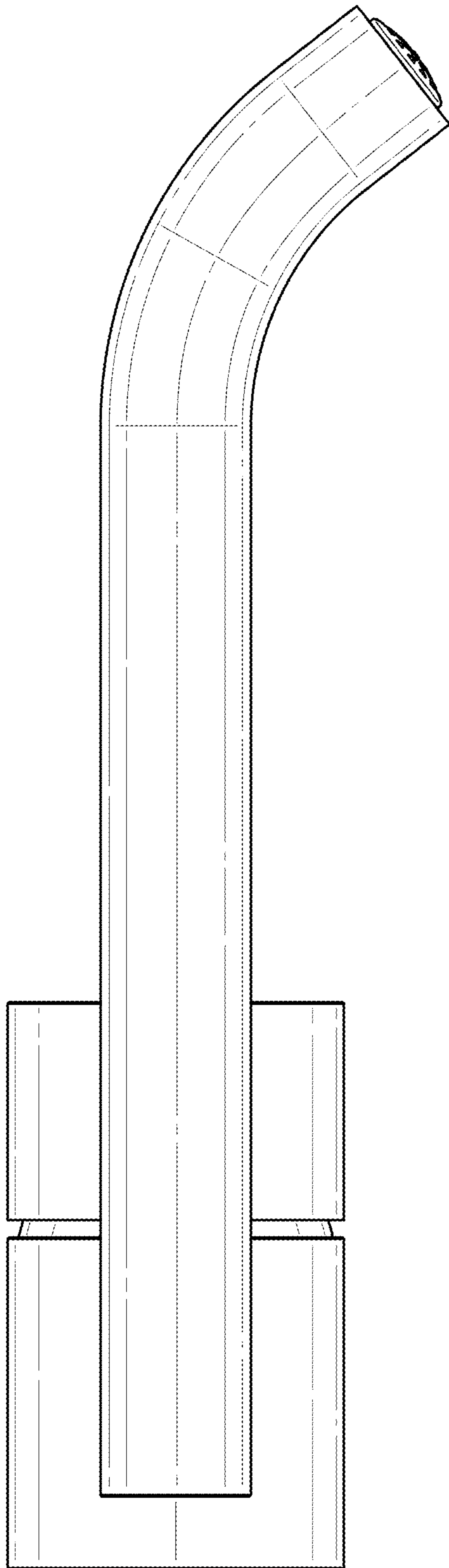


FIG. 29

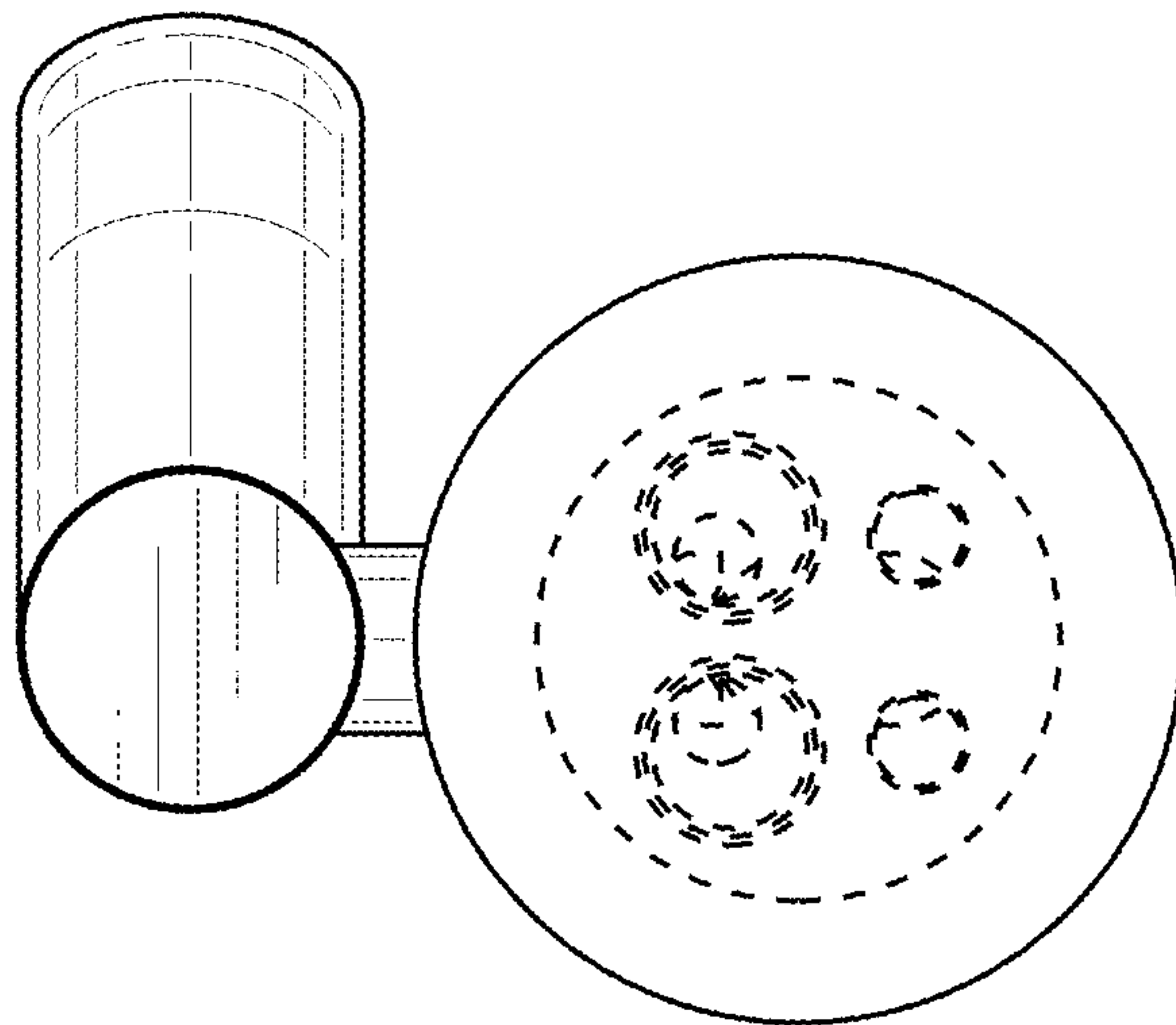


FIG. 30

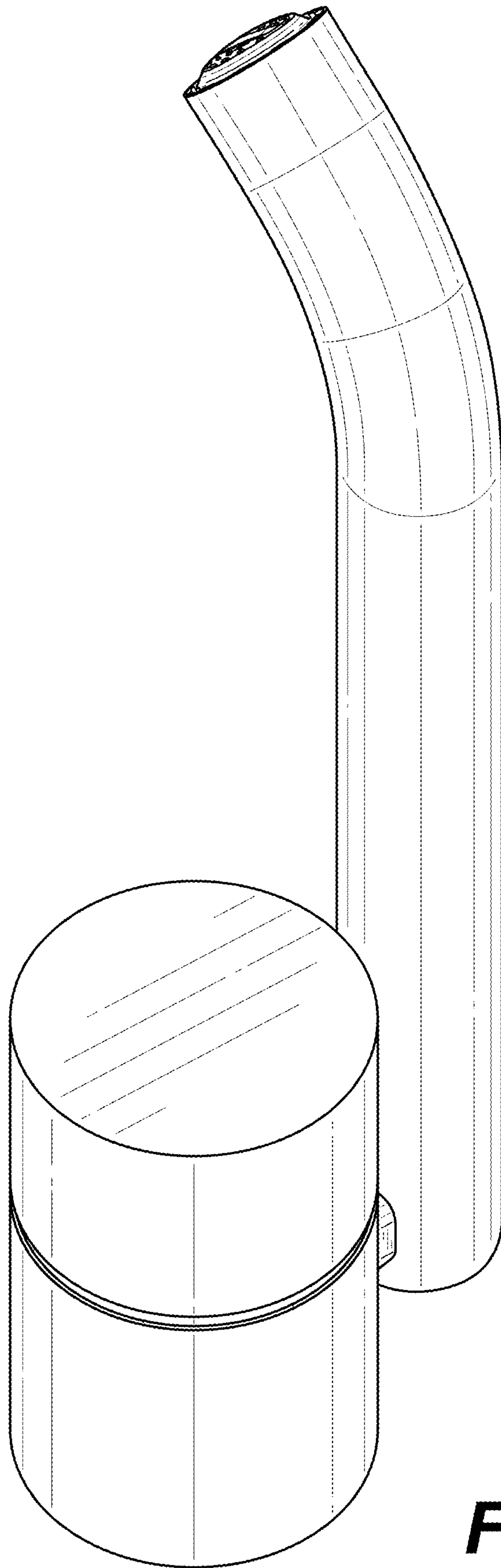


FIG. 31

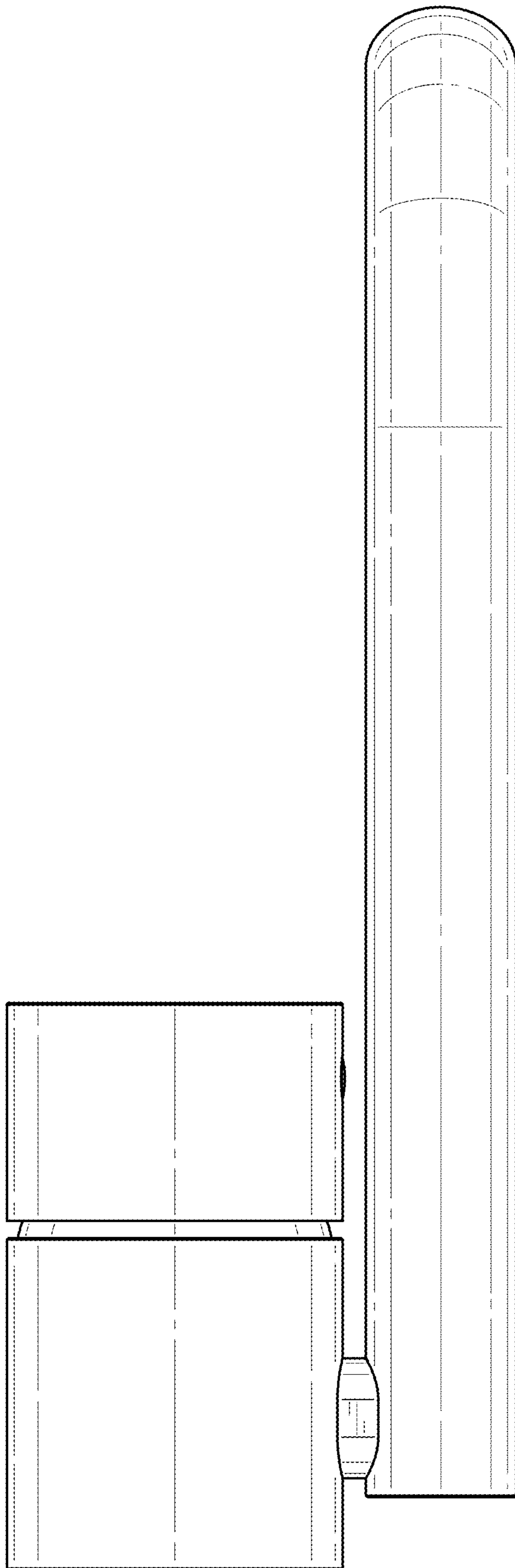


FIG. 32