



US00D954900S

(12) **United States Design Patent** (10) **Patent No.:** **US D954,900 S**  
**Cocks et al.** (45) **Date of Patent:** **\*\* Jun. 14, 2022**

(54) **RAIL SHOWER**

FOREIGN PATENT DOCUMENTS

(71) Applicant: **Phoenix Industries Pty Ltd**, Bayswater (AU)

AU 308198 7/2006  
AU 308199 7/2006

(Continued)

(72) Inventors: **Andrew John Cocks**, Bayswater (AU);  
**Ban Hsi Liu**, Bayswater (AU)

OTHER PUBLICATIONS

(73) Assignee: **Phoenix Industries Pty Ltd**, Bayswater (AU)

“Hansgrohe 4266000”, Feb. 18, 2010, Amazon, site visited Apr. 19, 2021: <https://www.amazon.com/dp/B002VKP5CU/> (Year: 2010).\*

(Continued)

(\*\*) Term: **15 Years**

(21) Appl. No.: **29/702,679**

*Primary Examiner* — Jack Reickel

*Assistant Examiner* — Bobby W Jones, II

(22) Filed: **Aug. 21, 2019**

(74) *Attorney, Agent, or Firm* — Womble Bond Dickinson (US) LLP

(30) **Foreign Application Priority Data**

Feb. 22, 2019 (AU) ..... 201910958

(51) **LOC (13) Cl.** ..... **23-01**

(52) **U.S. Cl.**  
USPC ..... **D23/228**

(58) **Field of Classification Search**

USPC ..... D23/213, 223, 226, 228, 229, 230, 238,  
D23/239, 240, 241, 249

CPC ..... B05B 1/16; B05B 1/1618; B05B 1/18;  
B05B 1/185; E03C 1/0405; E03C 1/06;  
E03C 1/063; E03C 1/066; E03C 1/084;  
E03C 2001/0415

See application file for complete search history.

(56) **References Cited**

U.S. PATENT DOCUMENTS

D266,212 S \* 9/1982 Haug ..... D23/304  
D267,582 S 1/1983 Mackay  
4,964,573 A 10/1990 Lipski  
D330,408 S 10/1992 Thacker  
D340,376 S 10/1993 Klose  
D341,191 S 11/1993 Klose  
5,481,765 A \* 1/1996 Wang ..... A47K 3/28  
4/567

(Continued)

(57) **CLAIM**

The ornamental design for a rail shower, as shown and described.

**DESCRIPTION**

FIG. 1 is a front isometric view of a rail shower according to our new design;

FIG. 2 is a rear isometric view thereof;

FIG. 3 is a rear view thereof;

FIG. 4 is a front view thereof;

FIG. 5 is a left side view thereof;

FIG. 6 is a right side view thereof;

FIG. 7 is a bottom view thereof;

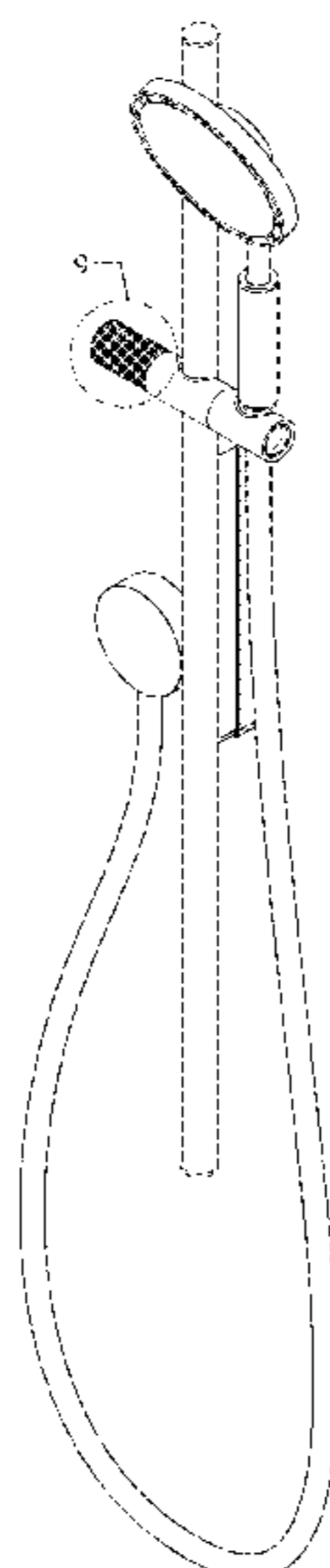
FIG. 8 is a top view thereof;

FIG. 9 is a view of an enlarged portion of the front isometric view of FIG. 1; and,

FIG. 10 is a view of an enlarged portion of the front view of FIG. 4.

The evenly-spaced broken lines in the figures represent portions of the rail shower that form no part of the claimed design.

**1 Claim, 4 Drawing Sheets**



		References Cited					
(56)	U.S. PATENT DOCUMENTS			D672,010	S	12/2012	Verdeflor
				D674,038	S	1/2013	Mendoza
				D680,619	S	4/2013	Zhadanov
				8,429,769	B2*	4/2013	Gross ..... E03C 1/0408 4/601
5,632,049	A	5/1997	Chen	D681,776	S	5/2013	Cutler
D391,629	S *	3/1998	Gottwald ..... D23/304	D681,781	S	5/2013	Cutler
D412,563	S	8/1999	Milrud	D687,924	S	8/2013	Newson
D416,992	S *	11/1999	Neufeld ..... D23/304	D694,357	S	11/2013	Brodey
D443,685	S	6/2001	Gottwald	D694,358	S	11/2013	Schoenherr
D457,598	S	5/2002	Storti	D694,359	S	11/2013	Schoenherr
6,453,486	B1	9/2002	Chen	D694,361	S	11/2013	Schoenherr
D477,863	S *	7/2003	Singtoroj ..... D23/304	D694,856	S	12/2013	Madsen
D484,226	S *	12/2003	Cropelli ..... D23/304	D695,880	S	12/2013	Schoenherr
D487,498	S	3/2004	Blomstrom	D697,177	S	1/2014	Schoenherr
D496,447	S *	9/2004	Lobermeier ..... D23/304	D705,900	S *	5/2014	Bailey ..... D23/228
D496,448	S	9/2004	Haug	D707,328	S	6/2014	Schoenherr
D496,987	S	10/2004	Glunk	D707,330	S	6/2014	Schoenherr
D497,974	S	11/2004	Haug	D710,973	S	8/2014	Madsen
D498,514	S	11/2004	Haug	D713,003	S	9/2014	Sandee
D508,730	S	8/2005	Blomstrom	D713,004	S	9/2014	Schoenherr
D512,120	S	11/2005	Haug	D713,496	S	9/2014	Schoenherr
D513,525	S *	1/2006	Haug ..... D23/223	D713,498	S	9/2014	Schoenherr
D519,187	S	4/2006	Tse	D714,421	S	9/2014	Flowers
7,043,776	B1 *	5/2006	Wu ..... E03C 1/0408 4/601	8,851,398	B2	10/2014	Li
				D718,418	S	11/2014	Georgeson
D522,612	S	6/2006	Eilmus	D719,640	S *	12/2014	Yu ..... D23/228
D524,406	S	7/2006	Hoernig	8,919,709	B2	12/2014	Zhou
D524,412	S	7/2006	Tiom	D723,137	S	2/2015	Nikles
D527,072	S	8/2006	Wu	8,991,432	B2	3/2015	Zhou
7,093,309	B2	8/2006	Kollmann	D730,493	S	5/2015	Sehl
D531,259	S	10/2006	Hsieh	9,027,857	B2	5/2015	Kull
D540,427	S	4/2007	Bouroullec	D733,258	S	6/2015	Sandee
D540,925	S	4/2007	Garner	9,046,261	B2	6/2015	Zhang
D541,394	S	4/2007	Toyohara	D735,841	S	8/2015	Obara
D542,394	S	5/2007	Cropelli	D736,347	S	8/2015	Tan
D543,093	S	5/2007	Chan	D736,348	S	8/2015	Tan
D545,419	S *	6/2007	Nikles ..... D23/304	D737,929	S	9/2015	Rexach
D550,337	S	9/2007	Stein	D737,931	S	9/2015	Schoenherr
D556,855	S	12/2007	Mullenmeister	D737,932	S	9/2015	Nikles
D562,937	S	2/2008	Schoenherr	D738,991	S	9/2015	Brodey
D562,950	S *	2/2008	Nikles ..... D23/304	D743,507	S	11/2015	Georgeson
D564,066	S	3/2008	Lammel	9,175,460	B2	11/2015	Ukigai
D565,703	S	4/2008	Lammel	D746,422	S	12/2015	Schoenherr
D565,711	S	4/2008	Giggs	D746,423	S	12/2015	Schoenherr
D566,228	S	4/2008	Neago	D746,955	S	1/2016	Corder
D566,231	S	4/2008	Lammel	D746,963	S	1/2016	Barber
D567,637	S	4/2008	Moore	D746,964	S	1/2016	Schoenherr
D578,622	S	10/2008	Kollmann	D749,694	S	2/2016	Madsen
D580,025	S	11/2008	Kollmann	D751,174	S	3/2016	Schoenherr
D581,485	S	11/2008	Kollmann	D751,175	S	3/2016	Schoenherr
D584,803	S	1/2009	Lammel	D751,176	S	3/2016	Schoenherr
D589,117	S	3/2009	Bardsley	D752,711	S	3/2016	Georgeson
D590,916	S	4/2009	Schoenherr	9,273,452	B2 *	3/2016	Wilson ..... E03C 1/0408
D590,917	S	4/2009	Schoenherr	9,297,151	B2	3/2016	Blessing
D592,276	S	5/2009	Schoenherr	D757,894	S	5/2016	Schoenherr
D593,640	S	6/2009	Schoenherr	D757,895	S	5/2016	Schoenherr
D604,802	S	11/2009	Schoenherr	D758,532	S	6/2016	Schoenherr
D613,370	S	4/2010	Allard	9,382,699	B2	7/2016	Andersen
7,721,363	B2 *	5/2010	Huang ..... E03C 1/06 4/605	9,387,495	B2	7/2016	Schumacher
				9,410,309	B2 *	8/2016	Sharratt ..... E03C 1/025
D622,809	S	8/2010	Montgomery	D778,402	S	2/2017	Schoenherr
7,766,291	B2	8/2010	Eilmus	D778,404	S	2/2017	Schoenherr
D624,155	S	9/2010	Yokoyama	D779,038	S	2/2017	Hanna
D626,194	S	10/2010	Kakihana	D779,039	S	2/2017	Hanna
D634,401	S	3/2011	Flowers	D785,131	S	4/2017	Cimino
D637,026	S	5/2011	Lin	D787,458	S	5/2017	Kim
D637,266	S	5/2011	Flowers	D790,665	S	6/2017	Spangler
D639,382	S	6/2011	Flowers	D791,277	S	7/2017	Eads
D649,623	S	11/2011	Flowers	D793,527	S	8/2017	Zanger
D654,983	S	2/2012	Schoenherr	D801,475	S	10/2017	Naslund
D655,386	S	3/2012	Schoenherr	D803,350	S	11/2017	Tian
D655,783	S	3/2012	Schoenherr	9,822,924	B2 *	11/2017	Wu ..... F16M 13/02
D656,582	S	3/2012	Flowers	D808,499	S	1/2018	Naslund
D659,167	S	5/2012	Cocks	D809,094	S	1/2018	Naslund
D659,794	S	5/2012	Flowers	D810,233	S	2/2018	Winter
D659,797	S	5/2012	Farley	D810,234	S	2/2018	Winter
D665,479	S	8/2012	Cocks	D810,861	S	2/2018	Weaver
D669,156	S	10/2012	Schoenherr	D811,524	S	2/2018	Bossini
D669,962	S	10/2012	Schoenherr				

(56)

References Cited

FOREIGN PATENT DOCUMENTS

U.S. PATENT DOCUMENTS

D813,348 S 3/2018 Bossini  
D820,388 S 6/2018 Seum  
D820,949 S 6/2018 Reinnecker  
D821,542 S 6/2018 Reinnecker  
D822,157 S 7/2018 L'Henaff  
D824,485 S 7/2018 Montoya  
D828,491 S 9/2018 Schoenherr  
D828,511 S 9/2018 Liu et al.  
D828,512 S 9/2018 Liu et al.  
D828,516 S 9/2018 Liu et al.  
D828,909 S 9/2018 Liu et al.  
D832,398 S 10/2018 Lin  
D833,575 S 11/2018 Soulier  
D839,384 S 1/2019 Svendsen  
D840,503 S 2/2019 Stein  
D841,121 S 2/2019 Kiefer  
D841,125 S 2/2019 Lai  
D841,126 S 2/2019 Lai  
D841,128 S 2/2019 Zhou  
D841,786 S 2/2019 Hsieh  
10,195,654 B2 2/2019 Honda  
D842,429 S 3/2019 Huang  
D842,430 S 3/2019 Huang  
D842,431 S 3/2019 Cacka  
D842,967 S 3/2019 Farley  
D844,749 S 4/2019 Cocks  
D846,077 S 4/2019 Liu  
D846,696 S 4/2019 Cocks  
D846,701 S 4/2019 Liu  
D846,702 S 4/2019 Liu  
D847,302 S 4/2019 Cocks  
D849,696 S 4/2019 Cocks et al.  
D849,191 S 5/2019 Cocks et al.  
D851,207 S 6/2019 Cocks et al.  
D855,759 S 8/2019 Winter  
D855,760 S 8/2019 Lee  
D856,475 S 8/2019 Gessi  
D858,700 S 9/2019 Stoler  
D861,830 S 10/2019 Quinn  
D865,132 S 10/2019 Hoogendoorn et al.  
D865,133 S 10/2019 Hoogendoorn et al.  
D866,715 S 11/2019 Liu et al.  
D868,213 S 11/2019 Hoogendoorn et al.  
D869,608 S 12/2019 Seum  
D879,245 S 3/2020 Eads  
D879,247 S 3/2020 Stoler  
D888,195 S 6/2020 Cocks et al.  
D890,884 S \* 7/2020 Downey ..... D23/239  
D902,346 S 11/2020 Cocks  
D904,276 S 12/2020 Hostetter  
10,851,528 B2 \* 12/2020 Wang ..... B05B 1/185  
2008/0223957 A1 9/2008 Schorn  
2009/0222983 A1 \* 9/2009 Bosio ..... E03C 1/066  
4/596  
2010/0037389 A1 \* 2/2010 Gross ..... E03C 1/0408  
4/612  
2010/0320295 A1 12/2010 Mang  
2011/0108640 A1 \* 5/2011 Grohe ..... B05B 1/08  
239/548  
2013/0248017 A1 9/2013 Neagoe  
2013/0283520 A1 \* 10/2013 Schulte ..... E03C 1/0408  
4/601  
2014/0251454 A1 9/2014 Blessing  
2016/0265201 A1 9/2016 Hoogendoorn et al.  
2018/0298596 A1 10/2018 Tsai  
2019/0211537 A1 7/2019 Lee  
2019/0249402 A1 8/2019 Whitfield  
2020/0263399 A1 \* 8/2020 Sierks ..... E03C 1/06  
2021/0079632 A1 \* 3/2021 Beattie ..... F16K 11/0445

AU 308201 7/2006  
AU 308202 7/2006  
AU 314560 6/2007  
AU 314563 6/2007  
AU 321286 10/2008  
AU 328364 11/2009  
AU 328365 11/2009  
AU 334096 12/2010  
AU 336356 5/2011  
AU 336357 5/2011  
AU 337781 7/2011  
AU 337782 7/2011  
AU 344493 9/2012  
AU 344494 9/2012  
AU 350490 8/2013  
AU 355991 6/2014  
AU 355992 6/2014  
AU 355993 6/2014  
AU 355994 6/2014  
AU 357542 9/2014  
AU 357840 9/2014  
AU 357842 9/2014  
AU 357843 9/2014

OTHER PUBLICATIONS

“Moen 3668EPBN”, Jun. 13, 2013, Amazon, site visited Apr. 19, 2021: <https://www.amazon.com/dp/B00DDVZCHO/> (Year: 2013).  
Amazon; *8 Inch Rainfall Shower Head*; WaterPoint; available at [https://www.amazon.com/Inch-Rainfall-Shower-Head-WaterPoint/dp/B07R62JT94/ref=sr\\_1\\_1\\_75?keywords=showerhead&qid=1566490142&s=gateway&sr=8-75](https://www.amazon.com/Inch-Rainfall-Shower-Head-WaterPoint/dp/B07R62JT94/ref=sr_1_1_75?keywords=showerhead&qid=1566490142&s=gateway&sr=8-75); available prior to Aug. 21, 2019.  
TOI Basin Mixer, Phoenix Tapware, Showers & Accessories, <http://www.phoenixtapware.com.au/products/toi-basin-mixer>, known at least as early as Oct. 25, 2016, 3 pgs.  
*TOI Wall Basin / Bath Mixer Set*, <http://www.phoenixtapware.com.au/toi-wall-basin-mixer-set180mm>, known at least as early as Oct. 25, 2016, 3 pgs.  
*TOI Sink Mixer Squareline, Phoenix Tapware, Showers & Accessories*, <http://www.phoenixtapware.com.au/toi-sink-mixer-180mm-squareline>, known at least as early as Oct. 25, 2016, 3 pgs.  
“HammerHead Showers 1F-HHS-CH-2.5”, Nov. 14, 2017, Amazon, site visited Apr. 19, 2021: <https://www.amazon.com/dp/B077GHJFLP> (Year: 2017).  
“ALFI brand AB7938”, Dec. 6, 2013, Amazon, site visited Apr. 19, 2021: <https://www.amazon.com/dp/BOOH50Z9ZV> (Year: 2013).  
“How to Install—Slide Rail Shower System SRXBH-643E” Aug. 29, 2019, YouTube, site visited Apr. 19, 2021: <https://www.youtube.com/watch?v=nThLskqGdOw> (Year: 2019).  
“Delta Faucet *Vero* 57530” Sep. 29, 2012, Amazon, site visited Apr. 19, 2021: <https://www.amazon.ca/dp/B0040YM6L8/> (Year: 2012).  
“Gowe GWE—1024863”, May 22, 2016, Amazon, site visited Apr. 19, 2021: <https://www.amazon.com/dp/B01G050BGW> (Year: 2016).  
“Bright Showers Square Shower Wand”, Jul. 19, 2018, Amazon, site visited Apr. 19, 2021: <https://www.amazon.com/dp/B07FPKD3WC/> (Year: 2018).  
“Oil Rubbed Bronze Rain Shower”, Mar. 8, 2018, Amazon, site visited Apr. 19, 2021: <https://www.amazon.com/dp/B07B9XR1PF/> (Year: 2018).  
“Grohe 27867001”, Apr. 1, 2018, Amazon, site visited Apr. 19, 2021: <https://www.amazon.com/dp/B07BYHDQ8V/> (Year: 2018).  
“Jacllo 6458—MBK”, Sep. 16, 2015, Amazon, site visited Apr. 19, 2021: <https://www.amazon.com/dp/B015GG6K4M/> (Year: 2015).  
“KES Home Towel Hook 5846598”, Apr. 17, 2015, Amazon, site visited Apr. 19, 2021: <https://www.amazon.com/dp/BOOW8V60NU/> (Year: 2015).

\* cited by examiner

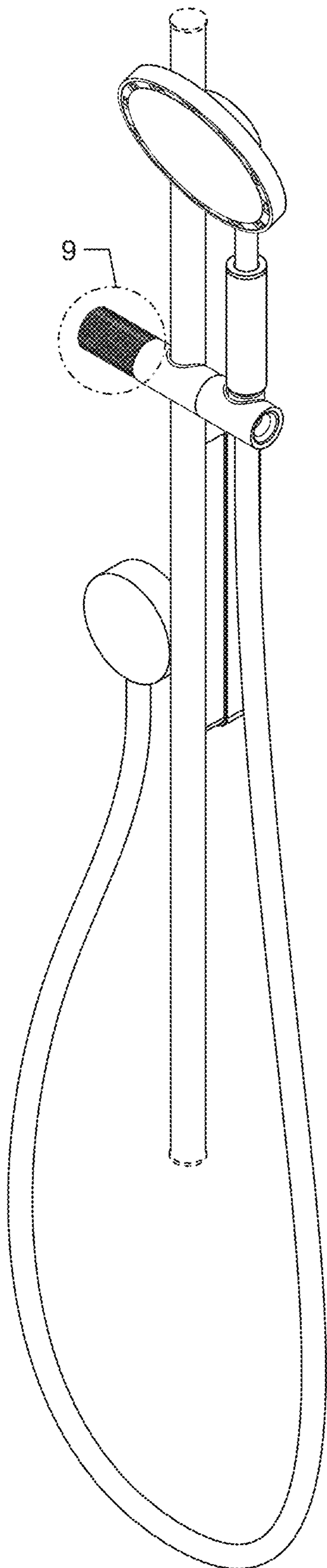


FIG. 1

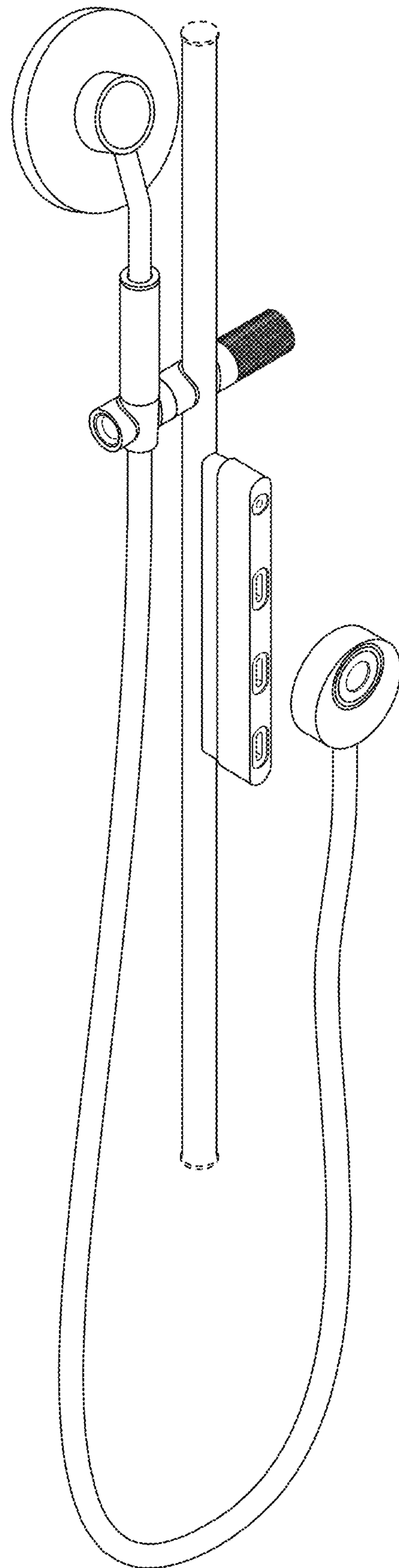


FIG. 2

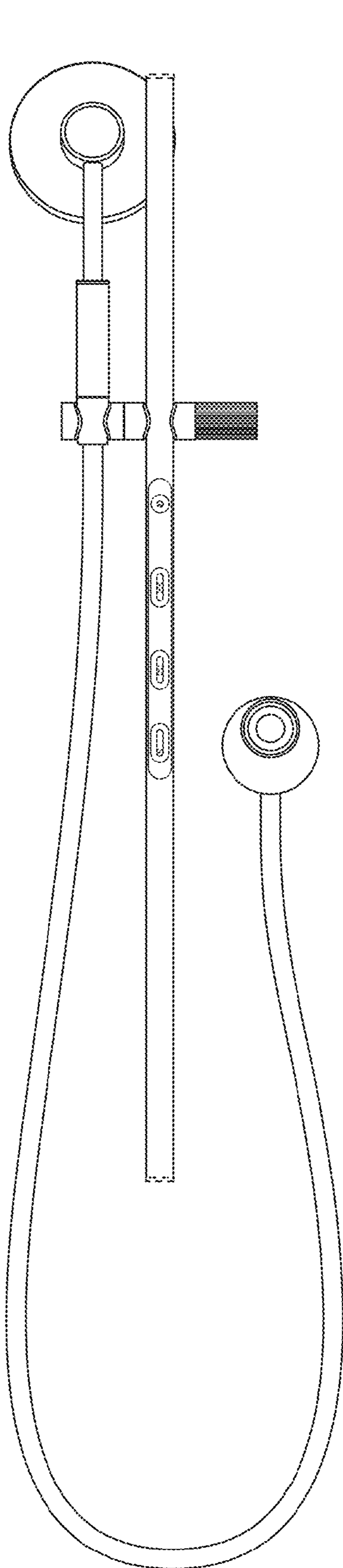


FIG. 3

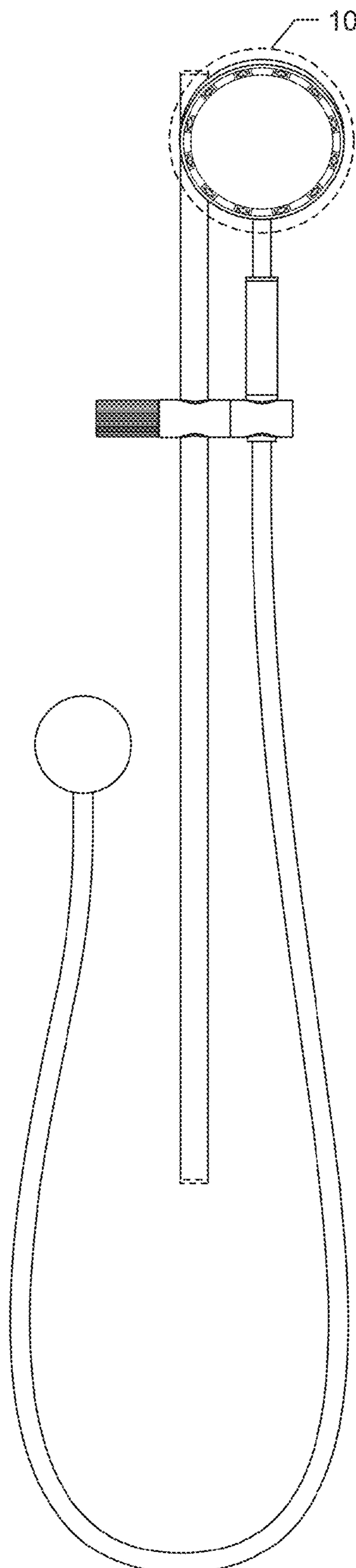


FIG. 4

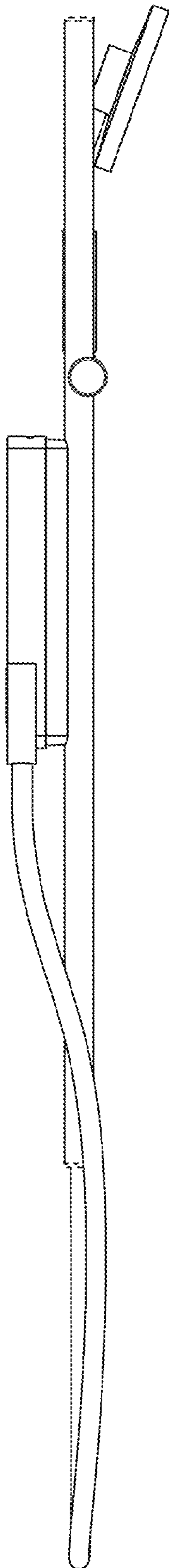


FIG. 5

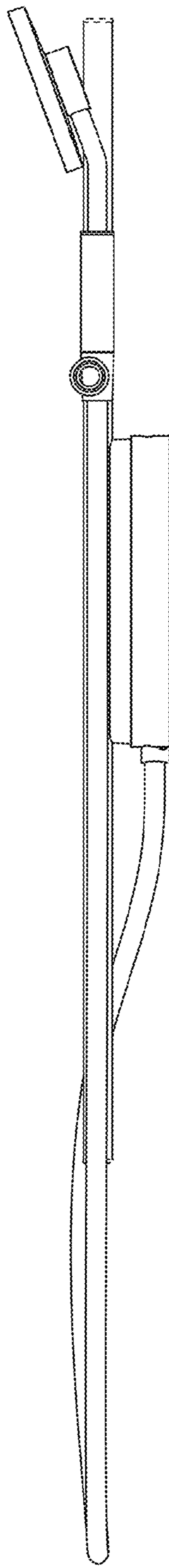


FIG. 6

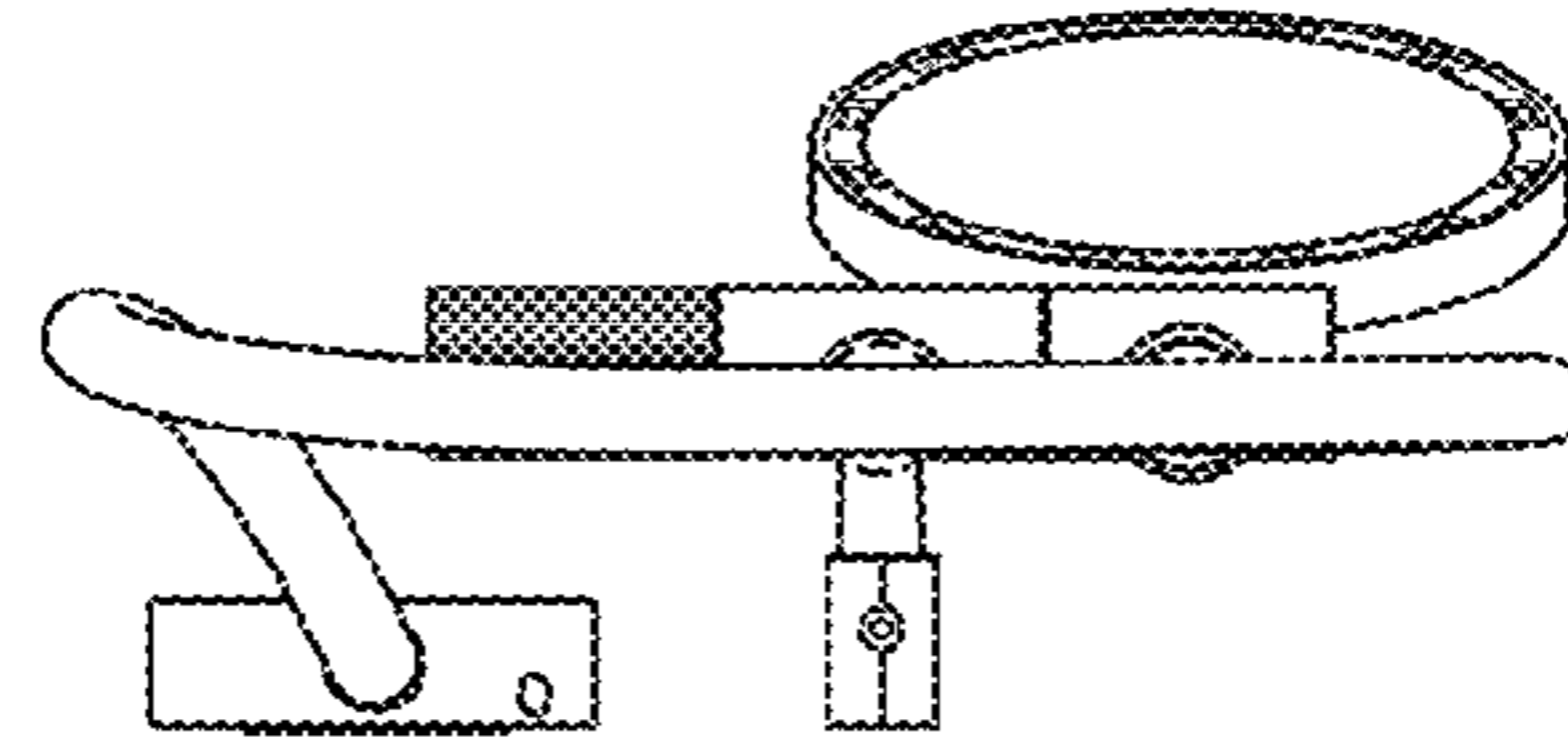


FIG. 7

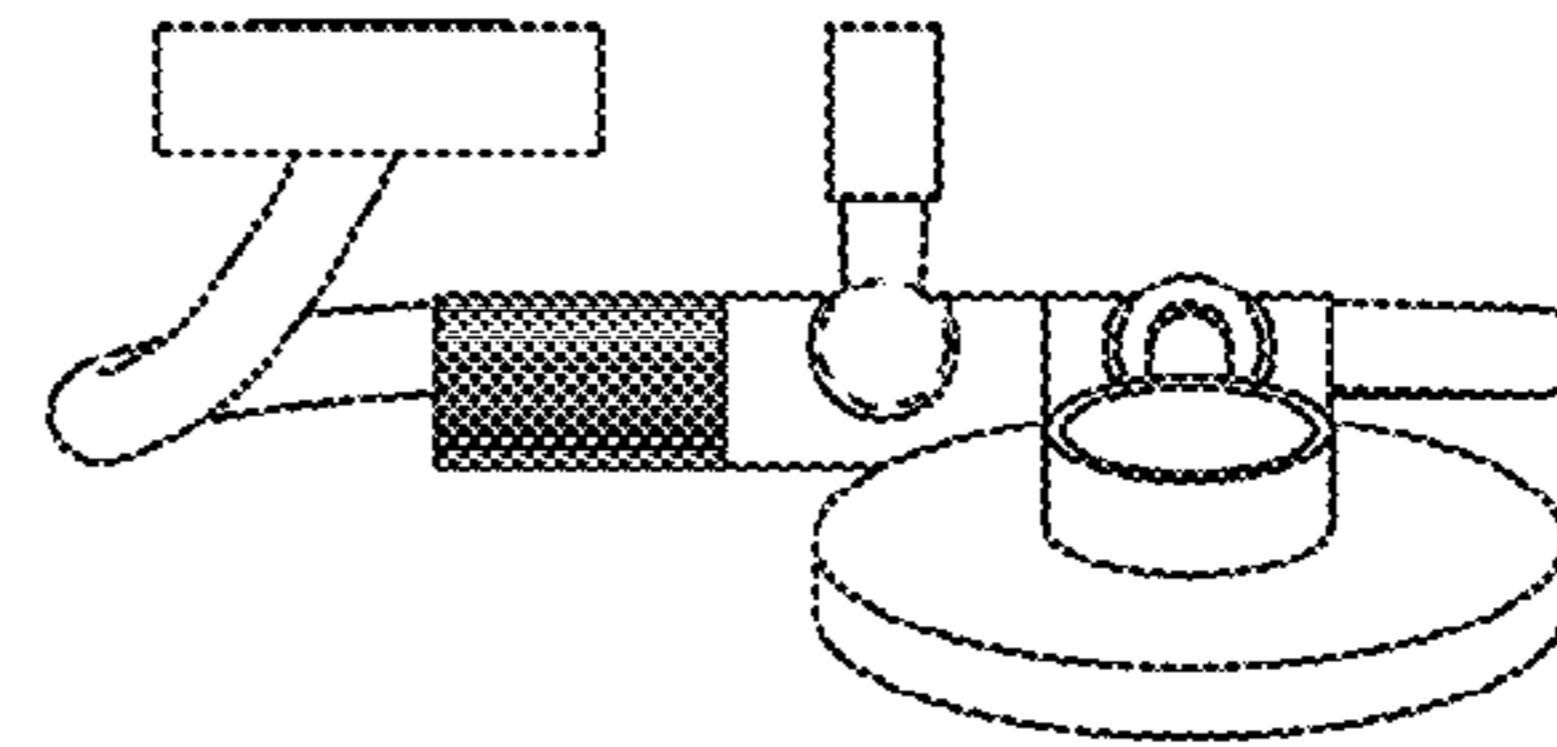


FIG. 8

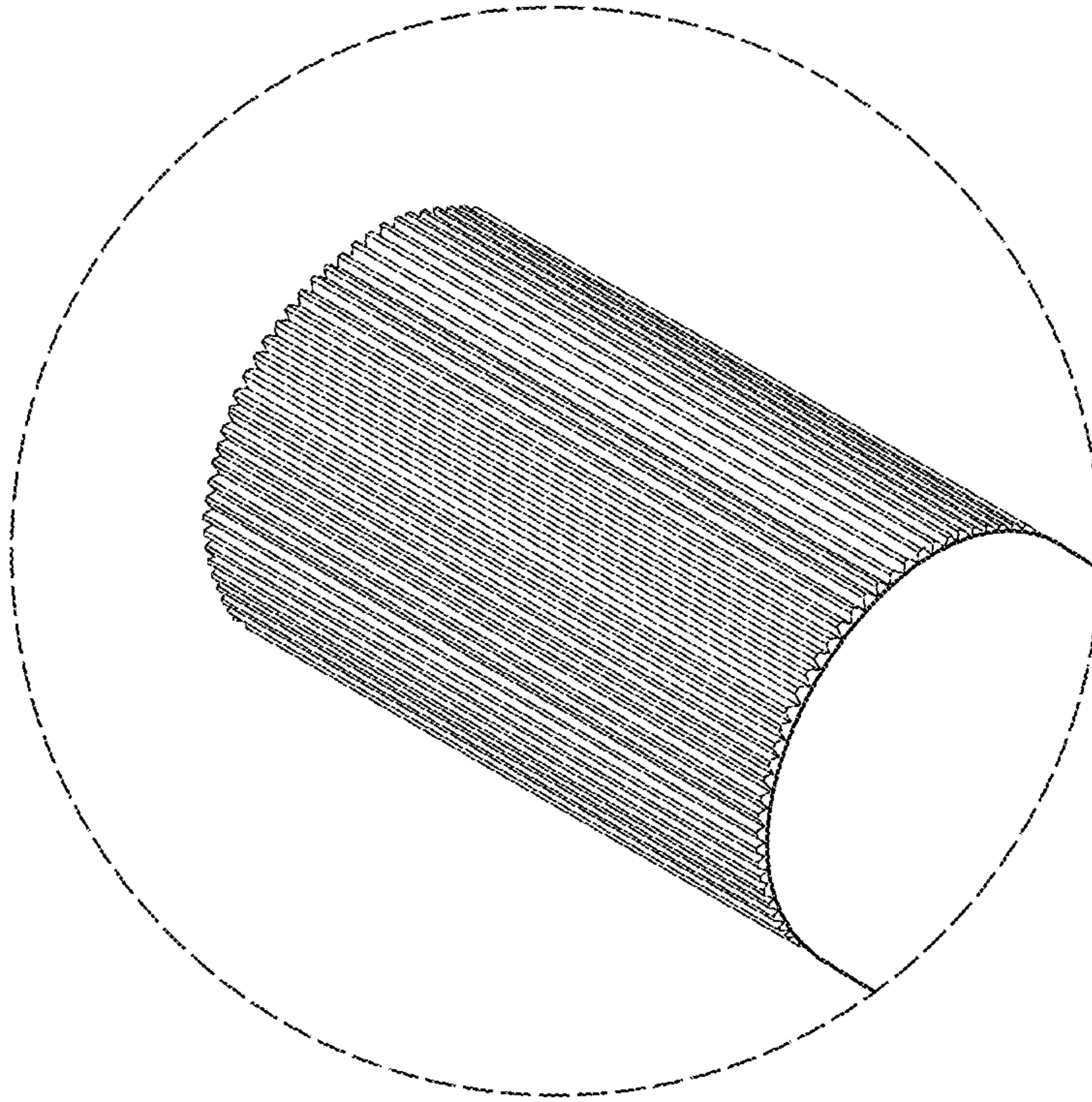


FIG. 9

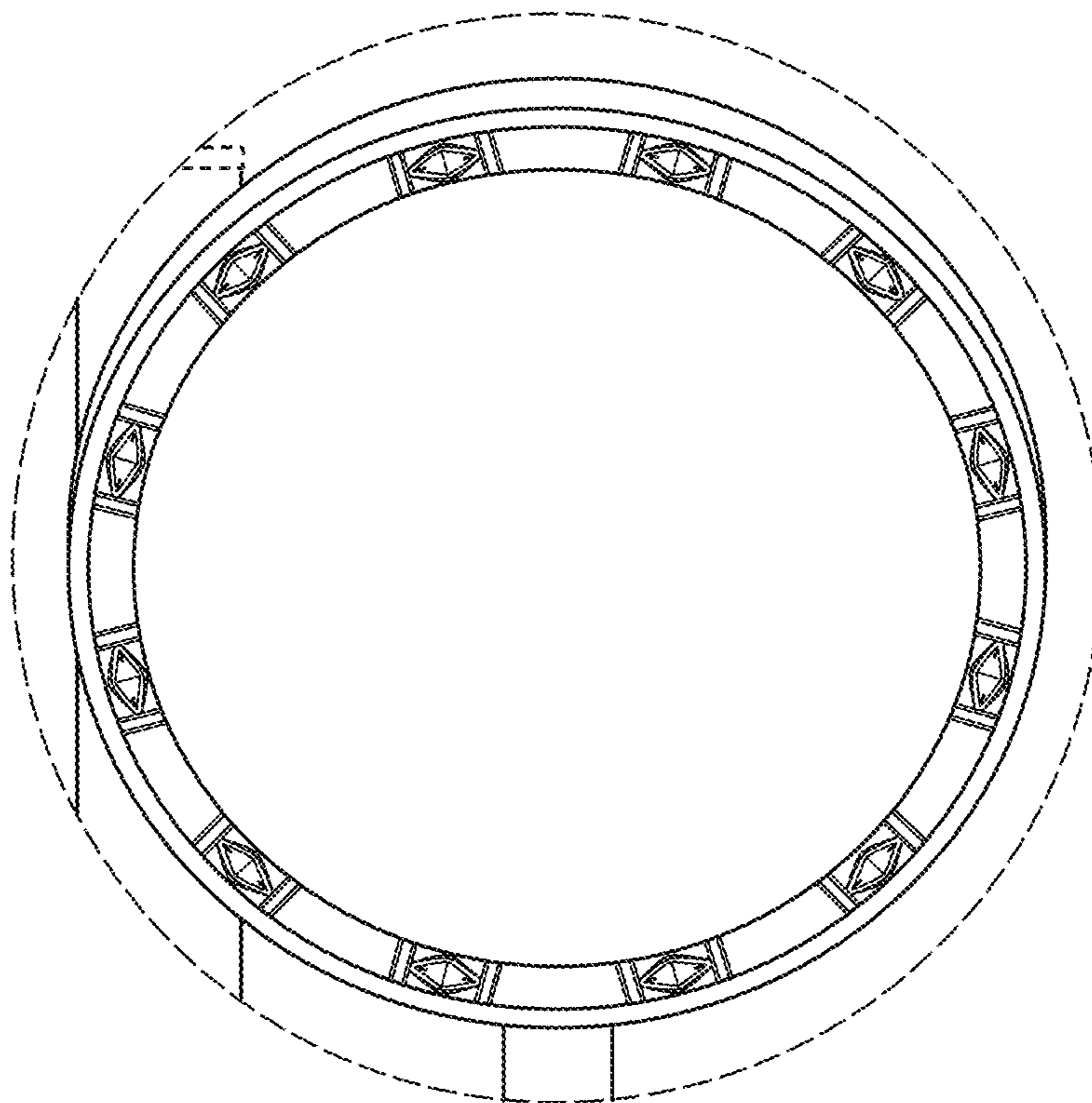


FIG. 10