



US00D954897S

(12) **United States Design Patent**
Downie et al.

(10) **Patent No.:** **US D954,897 S**
(45) **Date of Patent:** **** Jun. 14, 2022**

- (54) **MAGNETIC FILTER**
- (71) Applicant: **Adey Holdings (2008) Limited**,
Cheltenham (GB)
- (72) Inventors: **Simon Downie**, Cheltenham (GB);
Kelvin Leung, Cheltenham (GB);
Kashem Pathan, Cheltenham (GB)
- (73) Assignee: **ADEY HOLDINGS (2008) LIMITED**,
Cheltenham (GB)

D786,399	S	*	5/2017	Brixius	D23/209
D788,263	S	*	5/2017	Brixius	D23/209
D806,206	S	*	12/2017	Konagayoshi	D23/207
D835,232	S	*	12/2018	Adey	D23/209
D837,264	S	*	1/2019	Kennedy	D15/7
D852,321	S	*	6/2019	Downie	D23/209
D852,322	S	*	6/2019	Downie	D23/209
2011/0132829	A1	*	6/2011	Tucker	B01D 29/21 210/232
2015/0129491	A1	*	5/2015	Adey	B01D 21/2405 210/512.1
2020/0179943	A1	*	6/2020	Downie	B03C 1/286
2021/0260509	A1	*	8/2021	Bertolotti	B01D 35/06

(**) Term: **15 Years**

- (21) Appl. No.: **29/697,773**
- (22) Filed: **Jul. 11, 2019**

(30) **Foreign Application Priority Data**

- Jan. 11, 2019 (GB) 6051832
- (51) **LOC (13) Cl.** **23-01**
- (52) **U.S. Cl.**
USPC **D23/209**
- (58) **Field of Classification Search**
USPC D23/200, 206–209, 233–237, 259,
D23/322–323, 213, 230–232, 245, 365,
D23/262–263, 266, 268, 231–232, 265;
210/222–223; 209/39; D13/147;
138/26, 30; 285/9.1, 129.1, 133.11,
285/207.5, 208, 210, 213
CPC ... F28F 23/02; F28F 2250/08; F16L 2201/30;
F16L 25/00; F16L 55/04; F16K 51/36;
F16K 1/42; F16K 7/17; B01D 27/08;
B01D 24/10; B01D 33/50; B05B 1/18;
C02F 1/003; E03C 1/02
See application file for complete search history.

(56) **References Cited**

- U.S. PATENT DOCUMENTS
- 2,317,774 A * 4/1943 Aninga B03C 1/28
210/222
- D607,538 S * 1/2010 Nun D23/233

OTHER PUBLICATIONS

MagnaClean Atom Installation and Servicing Brochure Copyright 2018; Downloaded PDF from ADEY website; Visited Online Nov. 3, 2021; <https://www.adey.com/product/magnaclean-atom> (Year: 2018).*

* cited by examiner

Primary Examiner — Amy C Wierenga
(74) *Attorney, Agent, or Firm* — Jacob M. Ward; Ward Law Office LLC

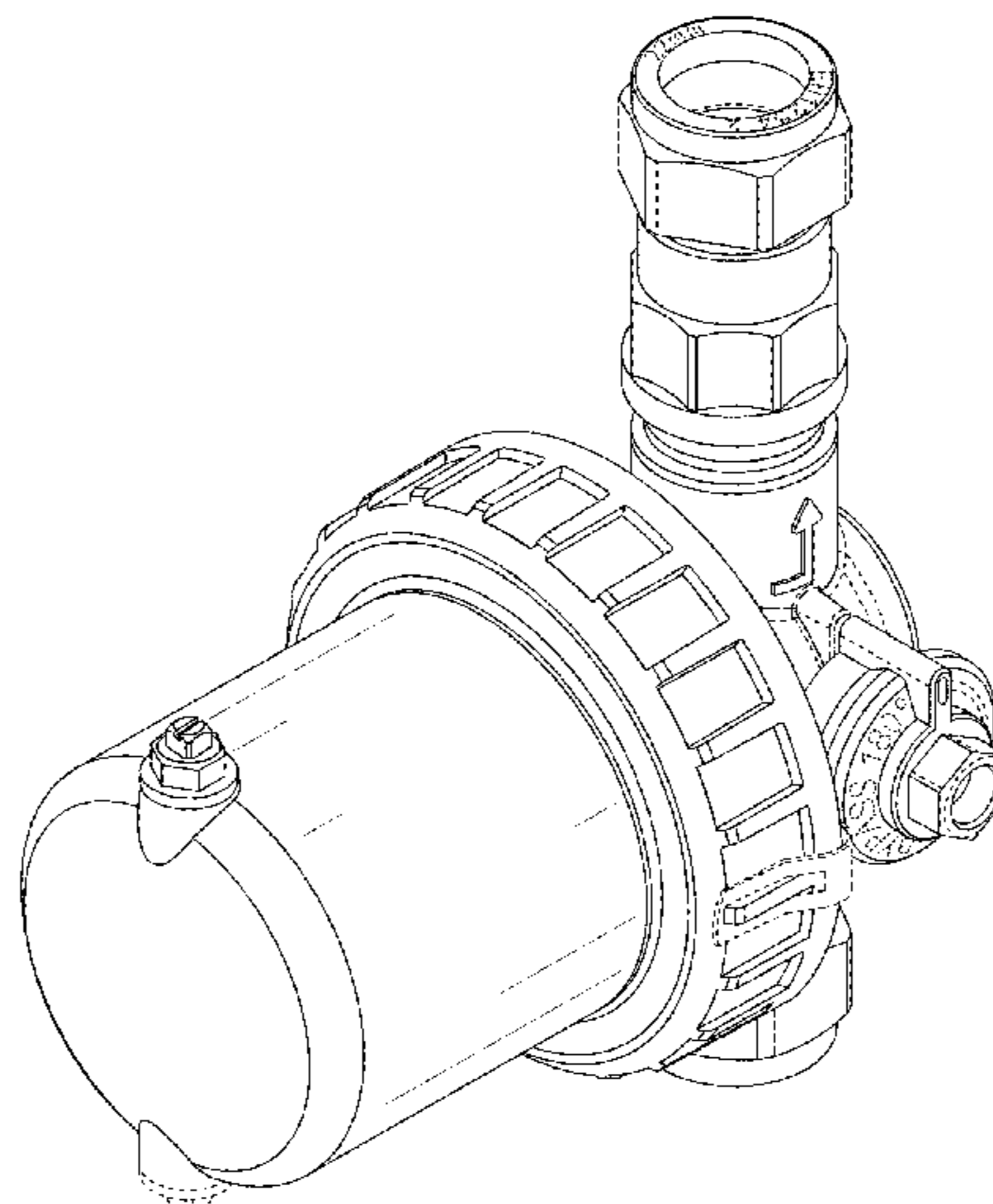
(57) **CLAIM**

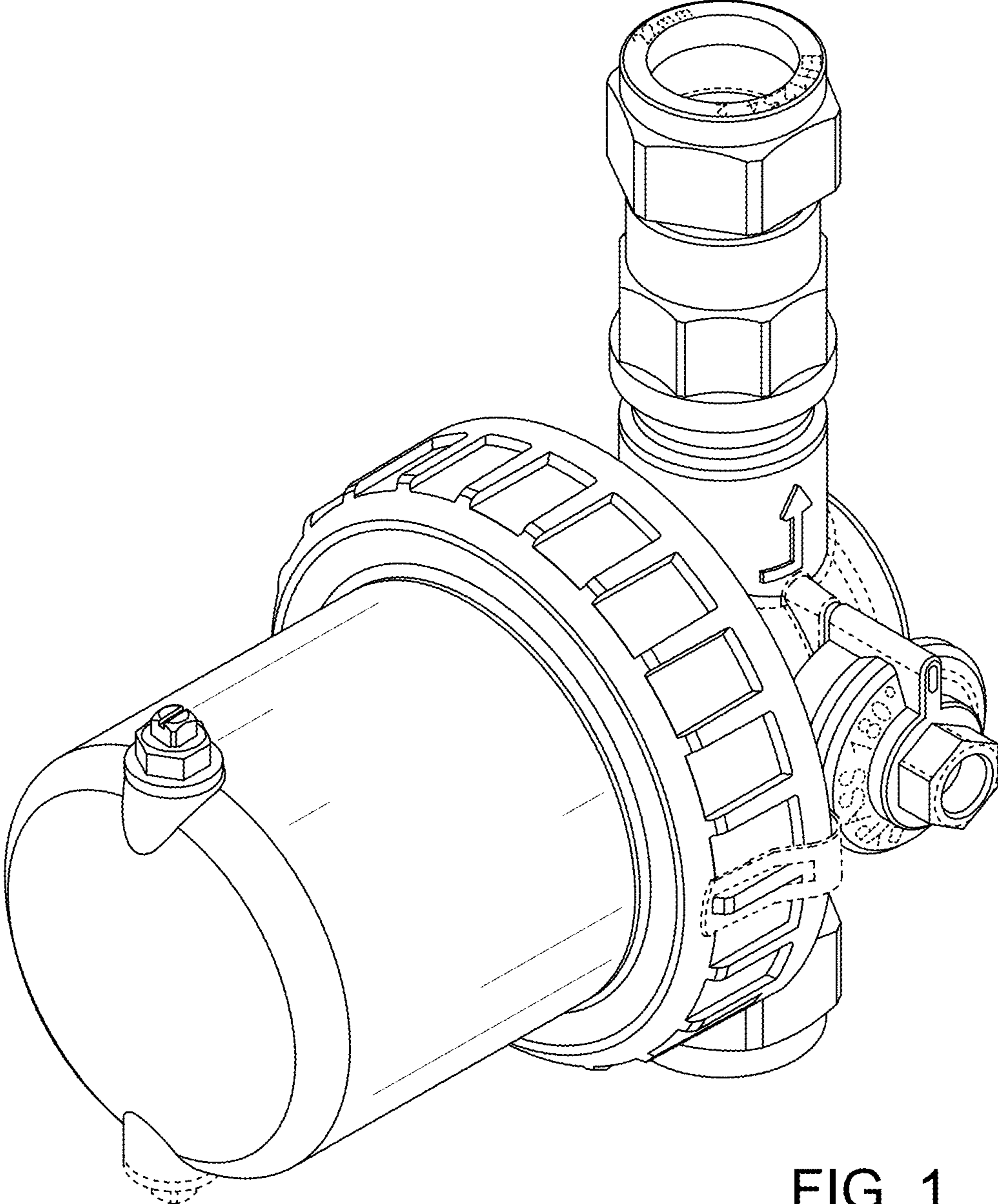
The ornamental design for a magnetic filter, as shown and described.

DESCRIPTION

FIG. 1 is a top right perspective view of a magnetic filter; FIG. 2 is a right side elevation view of the magnetic filter shown in FIG. 1; FIG. 3 is a left side elevation view thereof; FIG. 4 is a rear elevation view thereof; FIG. 5 is a front elevation view thereof; FIG. 6 is a bottom plan view thereof; and, FIG. 7 is a top plan view thereof. The broken lines depict portions of the magnetic filter that form no part of the claimed design.

1 Claim, 4 Drawing Sheets





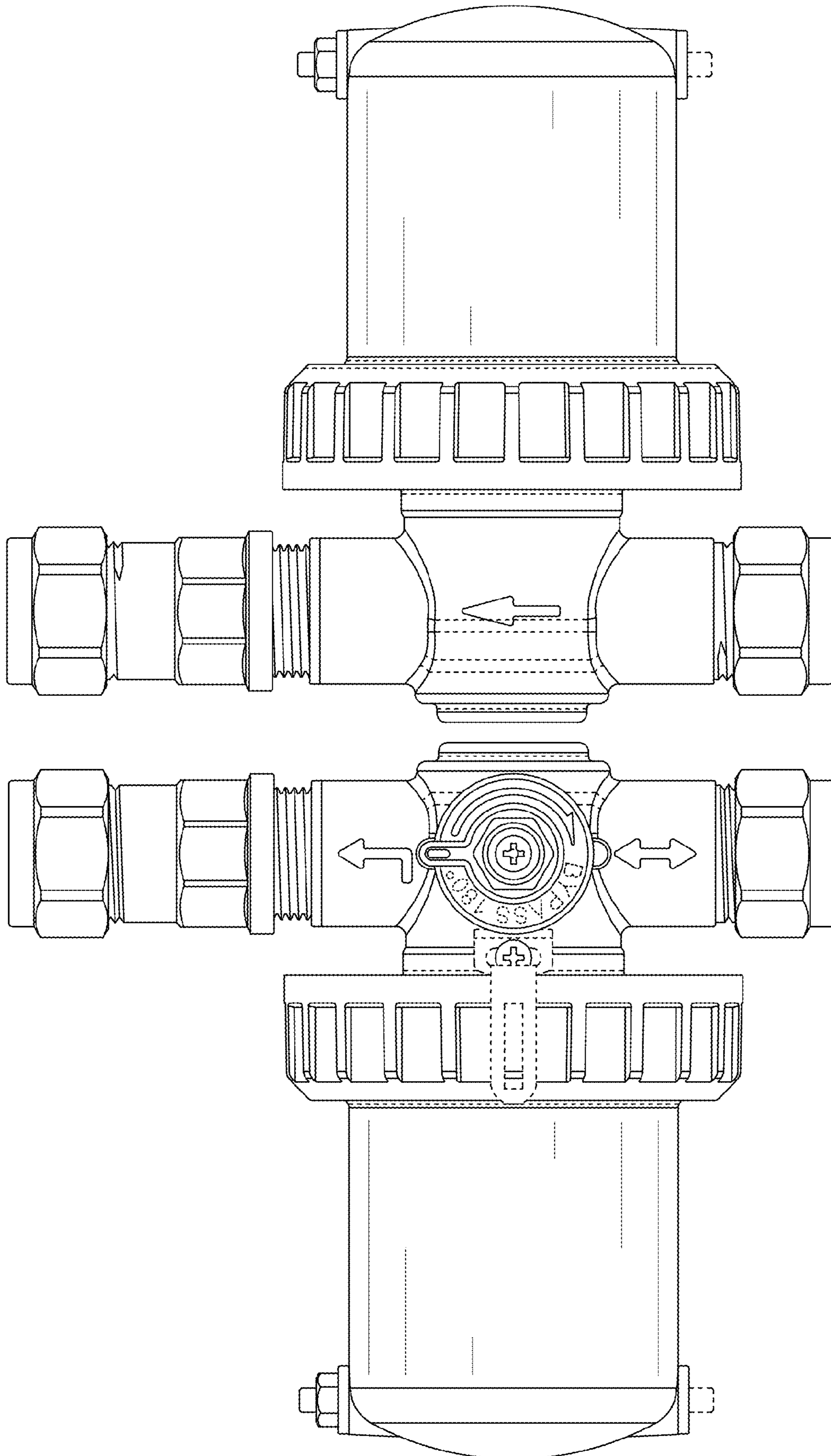


FIG. 3

FIG. 2

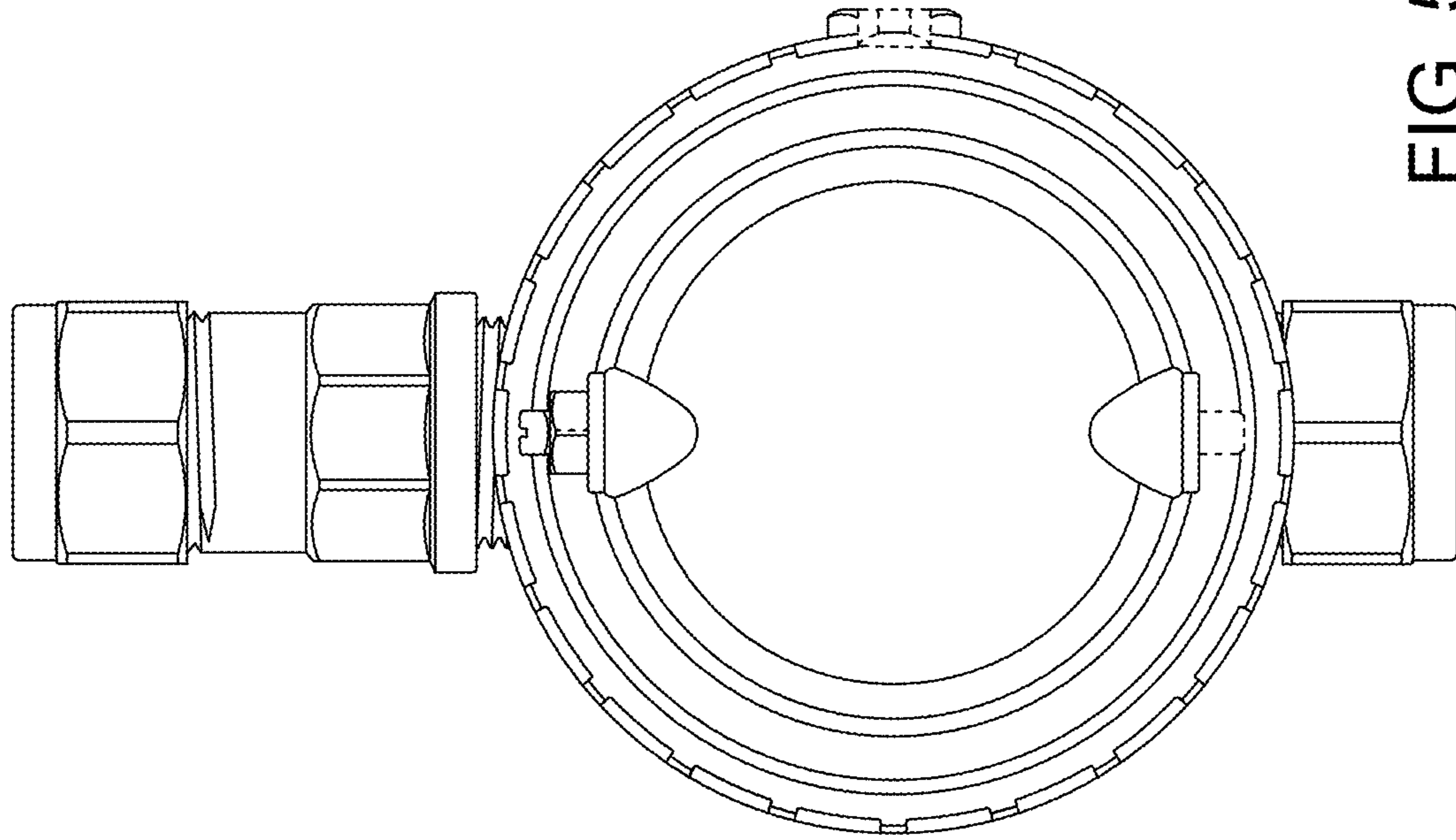


FIG. 5

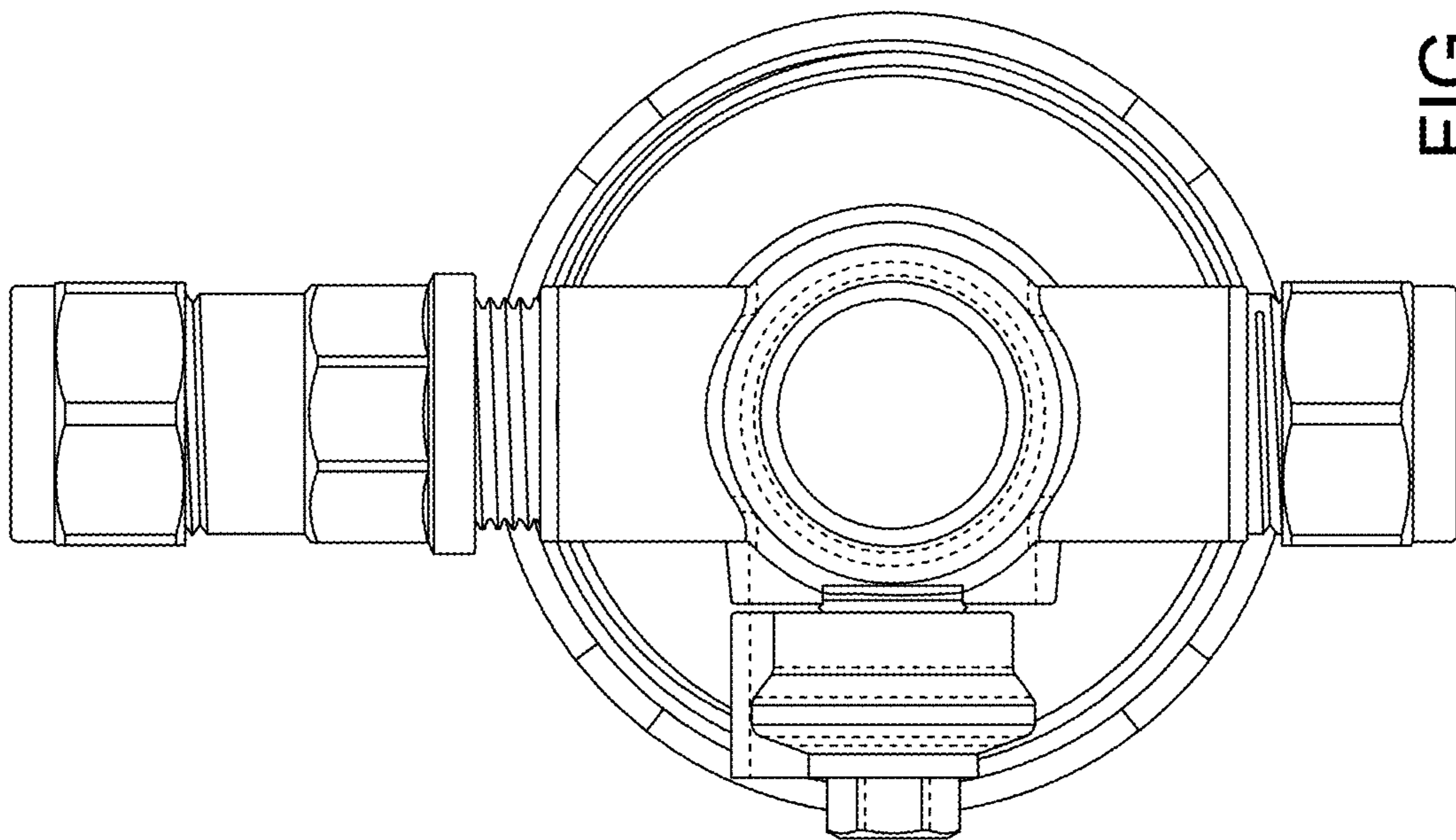


FIG. 4

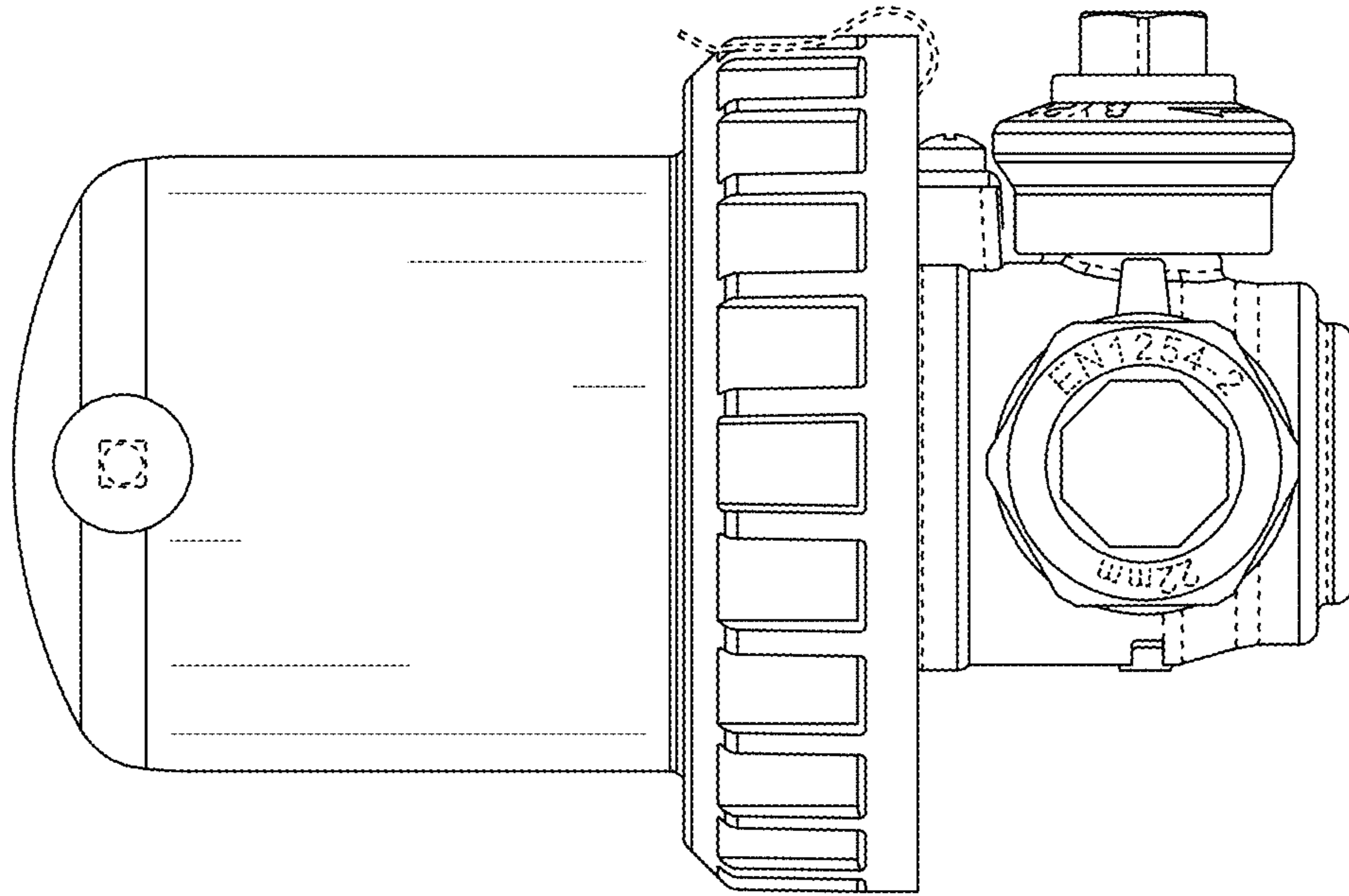


FIG. 6

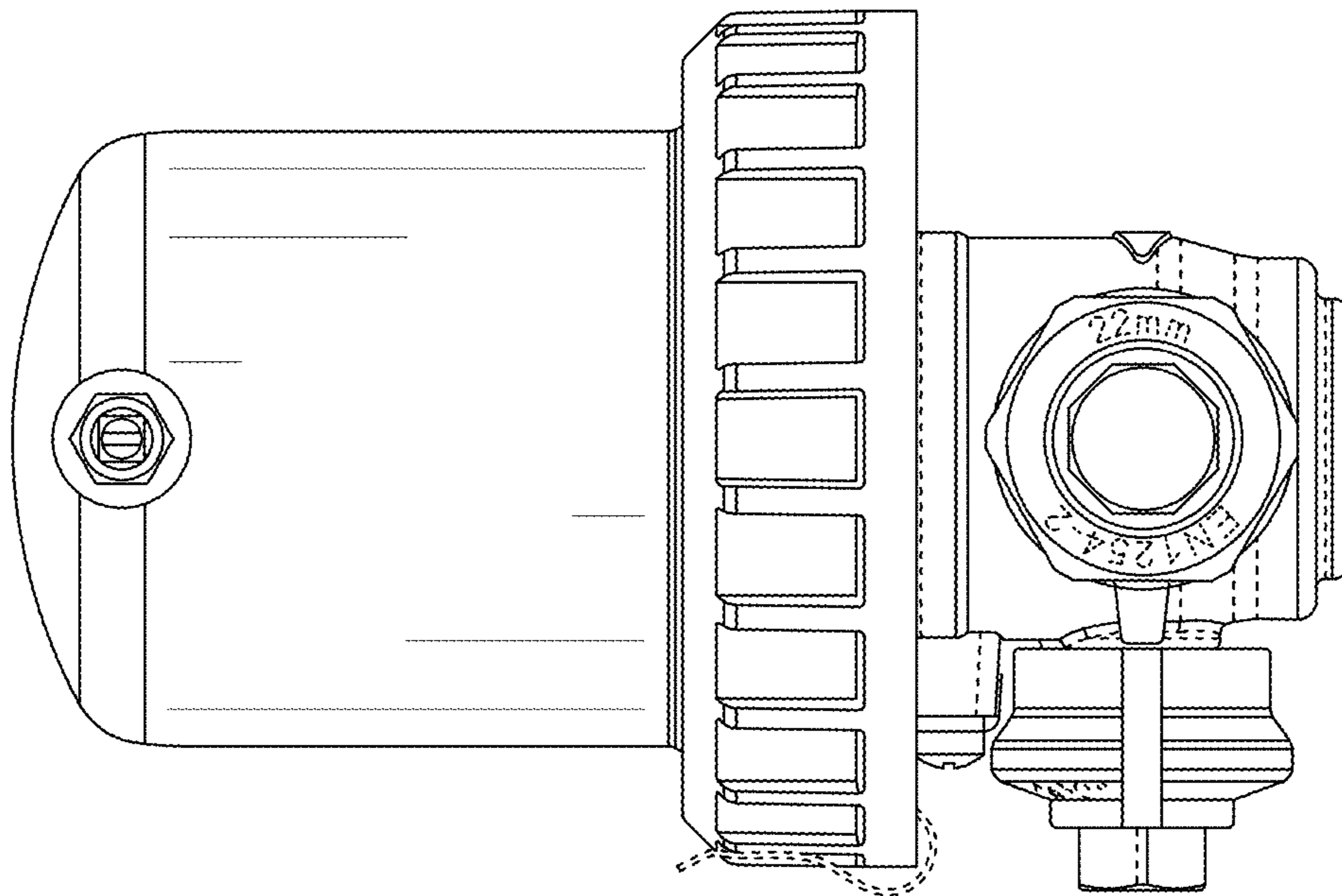


FIG. 7