



US00D954896S

(12) **United States Design Patent** (10) **Patent No.:** **US D954,896 S**
Wu (45) **Date of Patent:** **** Jun. 14, 2022**

(54) **SWATTER**

OTHER PUBLICATIONS

(71) Applicant: **Shenzhen Baiwei Trade Co., Ltd.**,
Guangdong (CN)

Kensizer 5-Pack Plastic Fly Swatters Heavy Duty, Multi Pack Matamoscas, Long Handle Fly Swat Shatter Bulk, Large Bug Swatter That Work for Indoor and Outdoor . . . https://www.amazon.com/Kensizer-Plastic-Swatters-Matamoscas-Shatter/dp/B087LTW97F/ref=cm_cr_arp_d_product_top?ie=UTF8 (Year: 2020).*

(72) Inventor: **Yongjie Wu**, Shenzhen (CN)

* cited by examiner

(**) Term: **15 Years**

Primary Examiner — Catherine R Oliver-Garcia
(74) *Attorney, Agent, or Firm* — Tsz Lung Yeung

(21) Appl. No.: **29/754,295**

(22) Filed: **Oct. 9, 2020**

(51) **LOC (13) Cl.** **22-06**

(52) **U.S. Cl.**
USPC **D22/124**

(57) **CLAIM**

(58) **Field of Classification Search**

USPC D22/124, 123; D21/725, 729, 731;
D3/1-3; D23/370; D28/9, 64.4
CPC A01M 3/00; A01M 29/00; A01M 29/34;
A63B 49/00; A63B 49/01; A63B 60/10;
A63B 59/80; A63B 60/16; A63B 60/06;
A63B 60/08

The ornamental design for a swatter, as shown and described.

See application file for complete search history.

DESCRIPTION

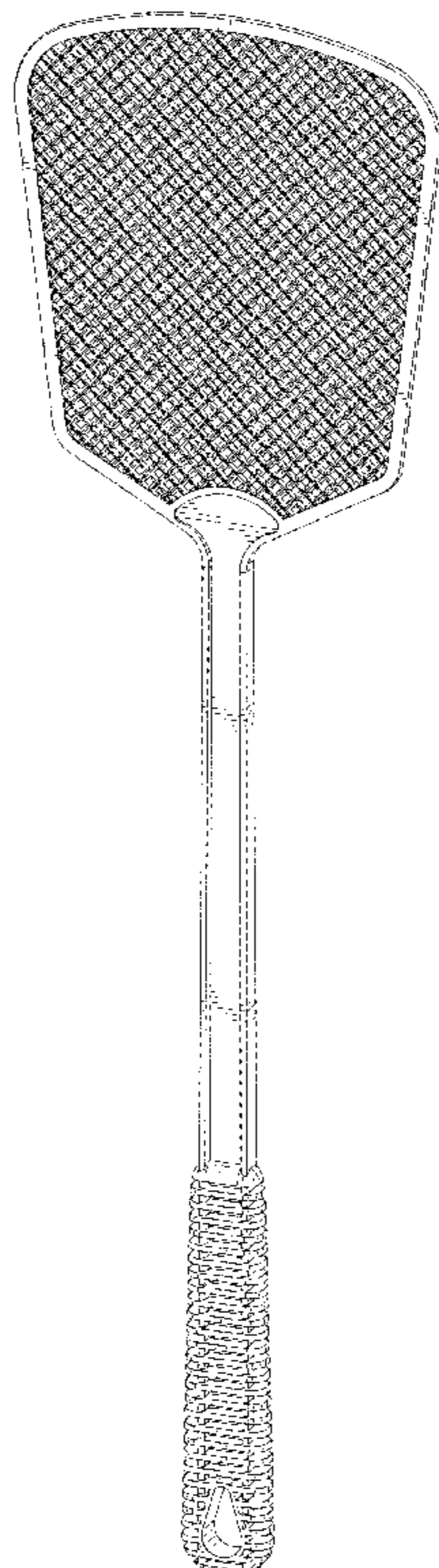
(56) **References Cited**

U.S. PATENT DOCUMENTS

2,077,132 A * 4/1937 Shafter A01M 3/02
43/137
RE22,796 E * 10/1946 Husted A45B 27/00
D3/1
2,420,782 A * 5/1947 Klie A45B 27/00
416/70 R
D429,559 S * 8/2000 Pecher D3/1
D620,245 S * 7/2010 Harris D3/1

FIG. 1 is a perspective view of a swatter showing my new design;
FIG. 2 is a front view thereof;
FIG. 3 is a rear view thereof;
FIG. 4 is a left side view thereof;
FIG. 5 is a right side view thereof;
FIG. 6 is a top view thereof;
FIG. 7 is a bottom view thereof;
FIG. 8 is a partially enlarged view of FIG. 6; and,
FIG. 9 is a partially enlarged view of FIG. 7.

1 Claim, 9 Drawing Sheets



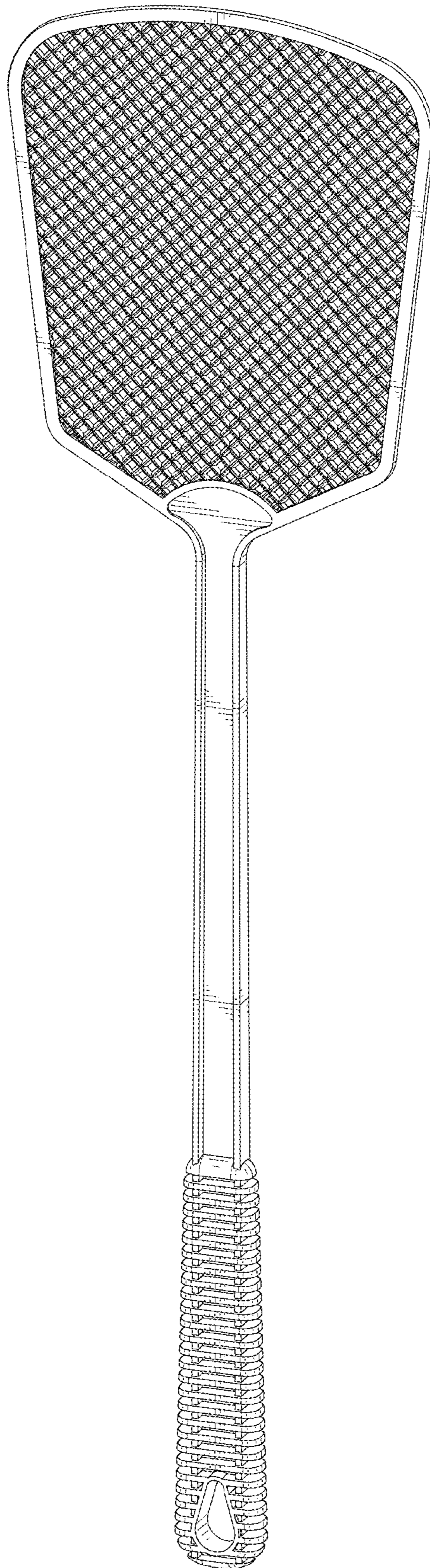


FIG.1

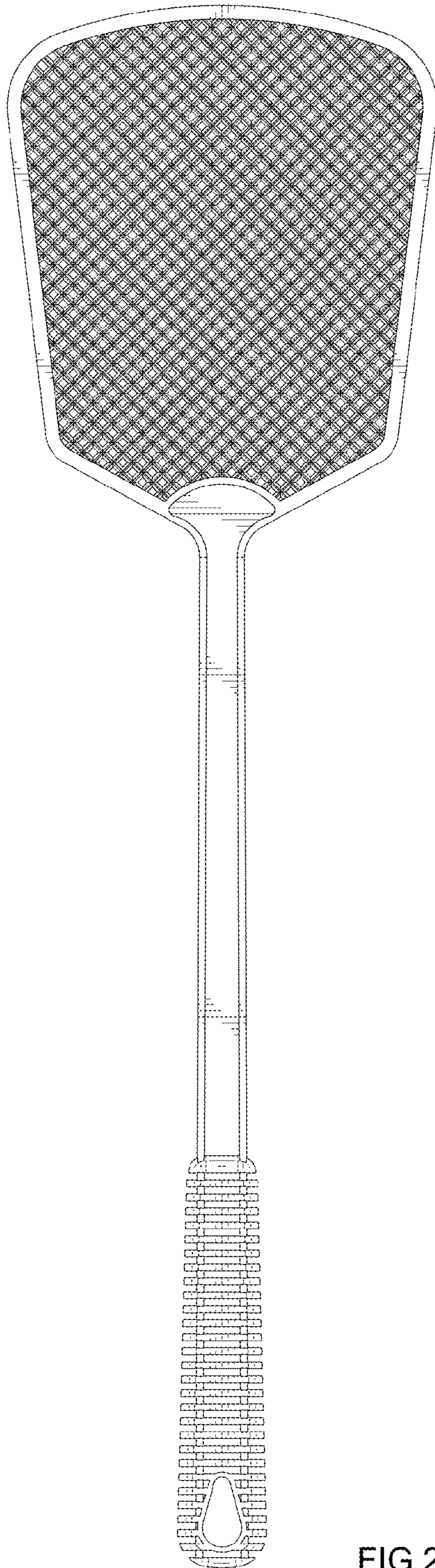


FIG.2

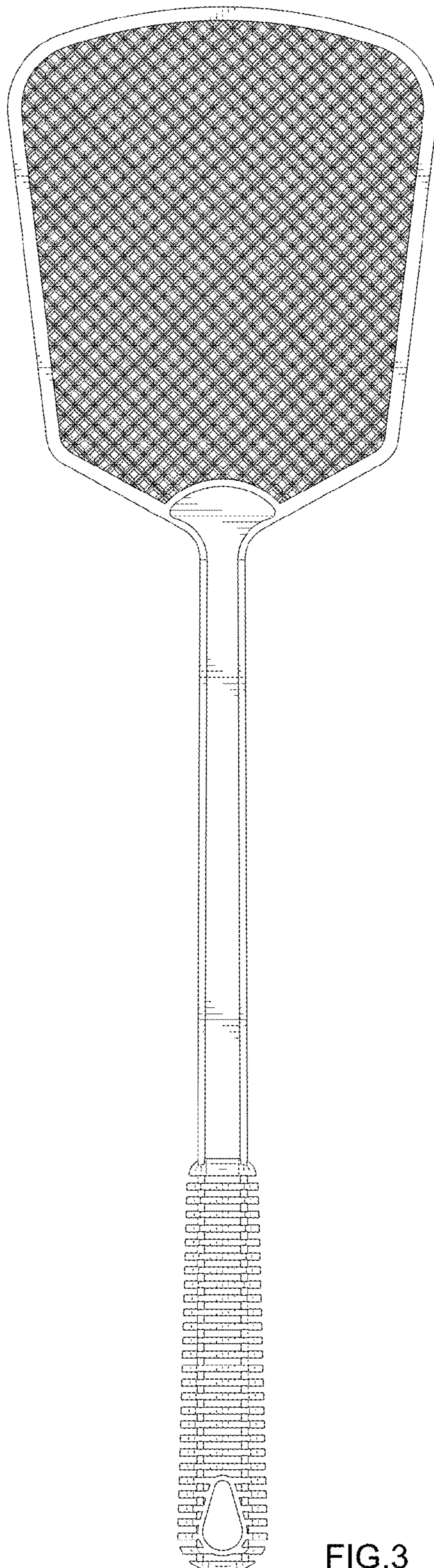


FIG.3

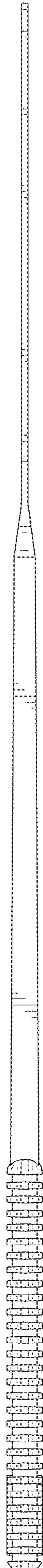


FIG.4

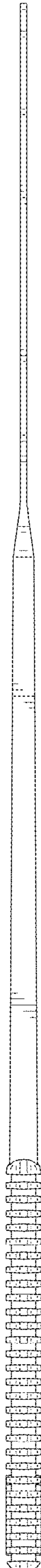


FIG.5

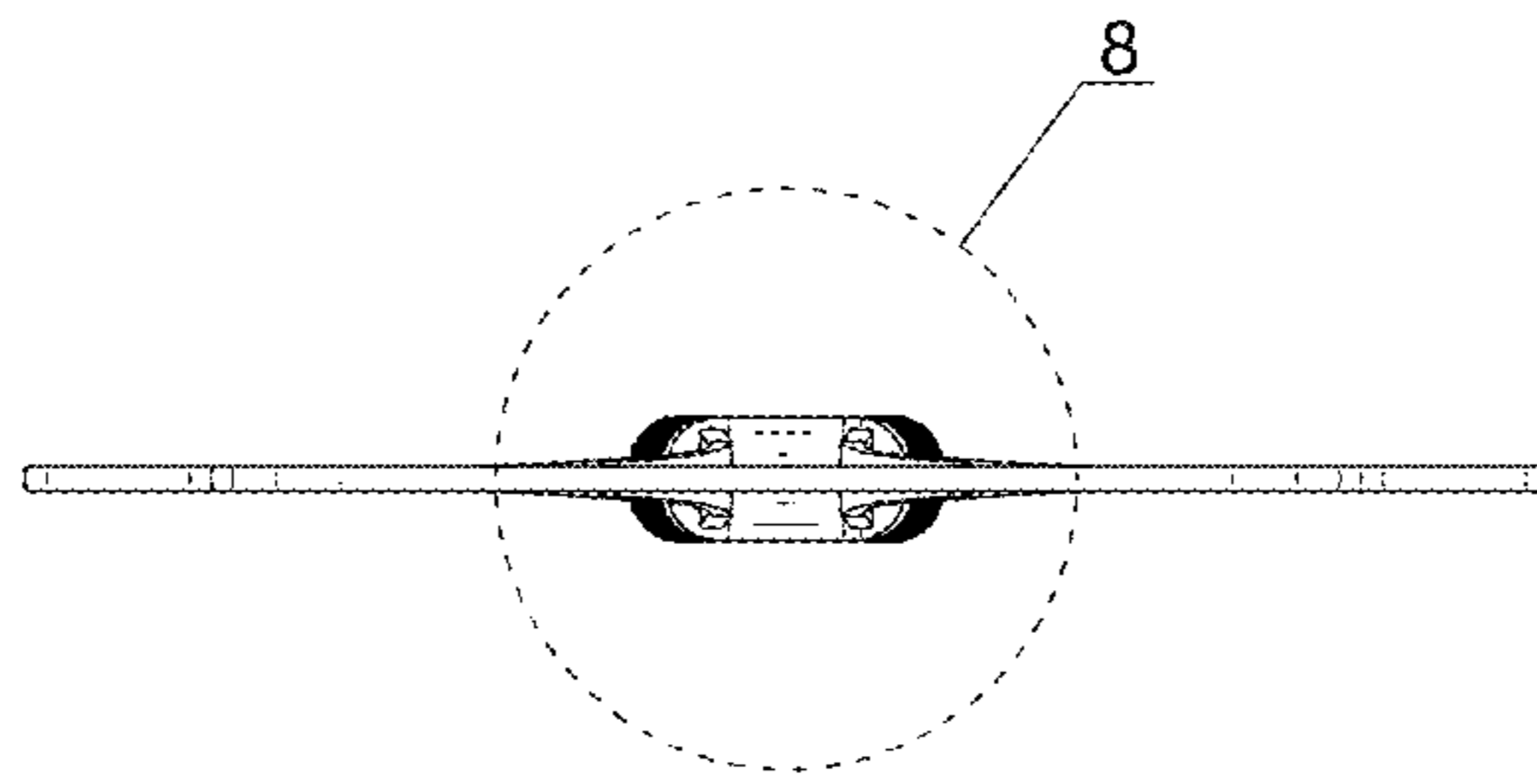


FIG.6

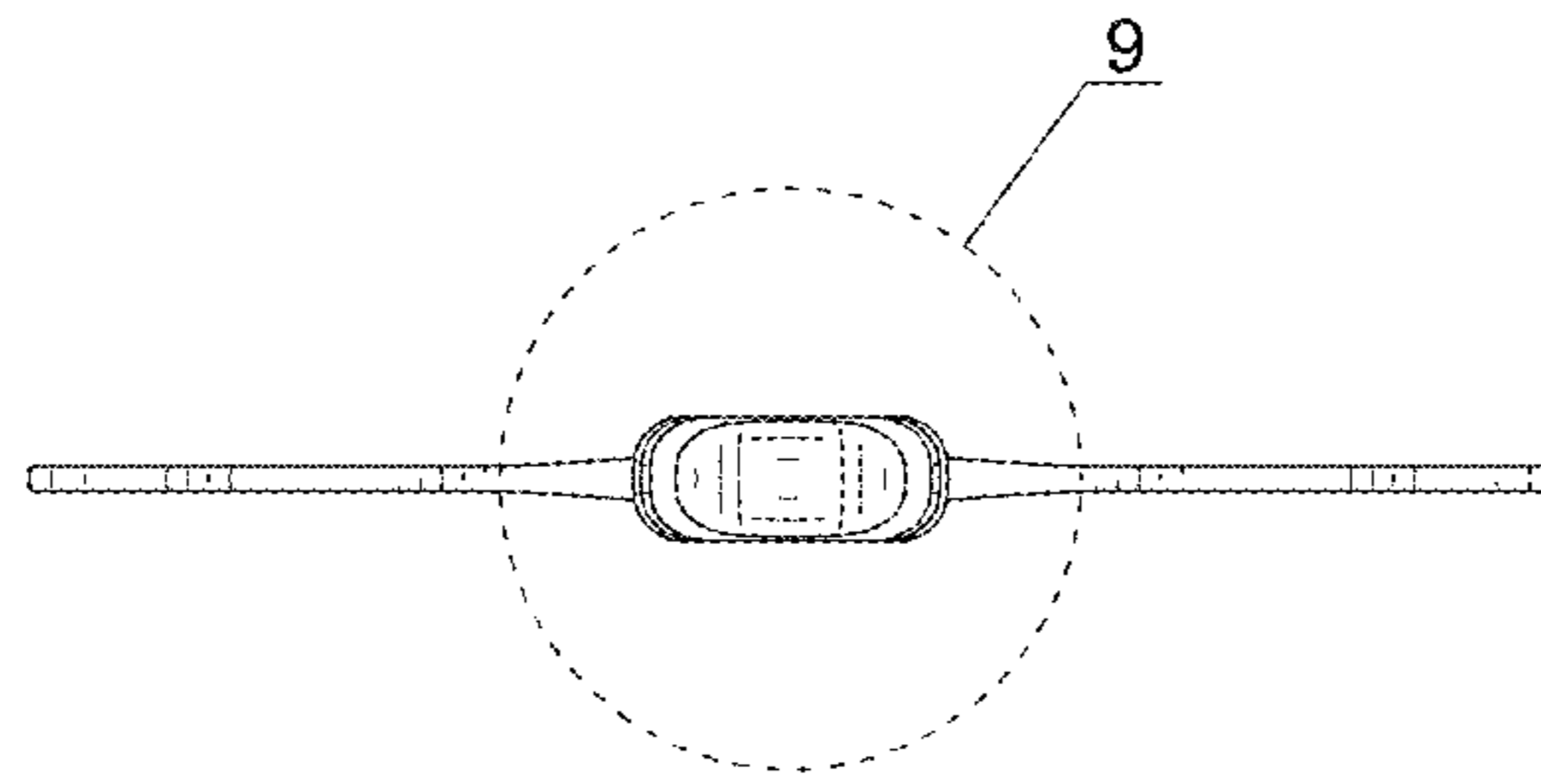


FIG.7

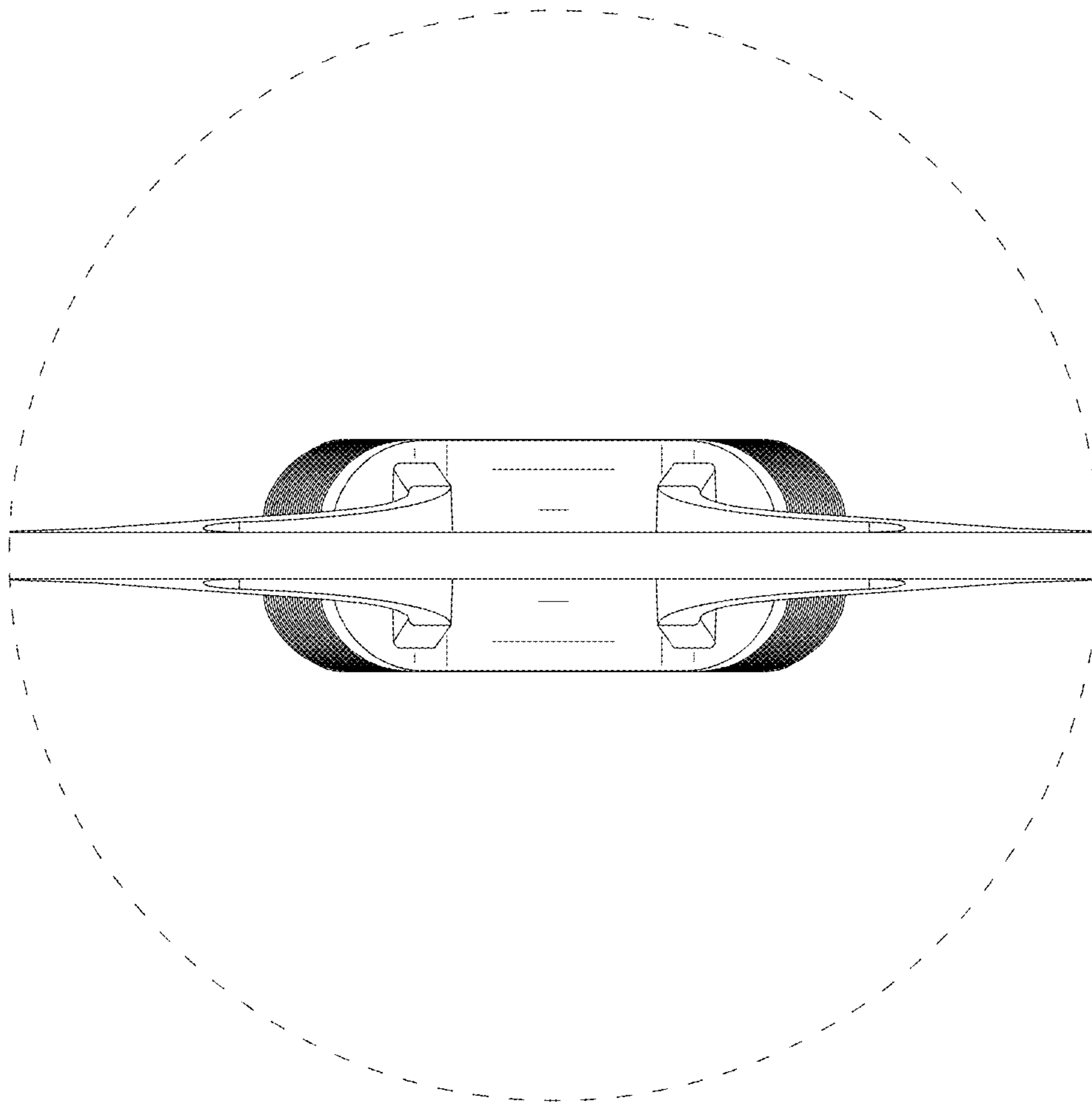


FIG.8

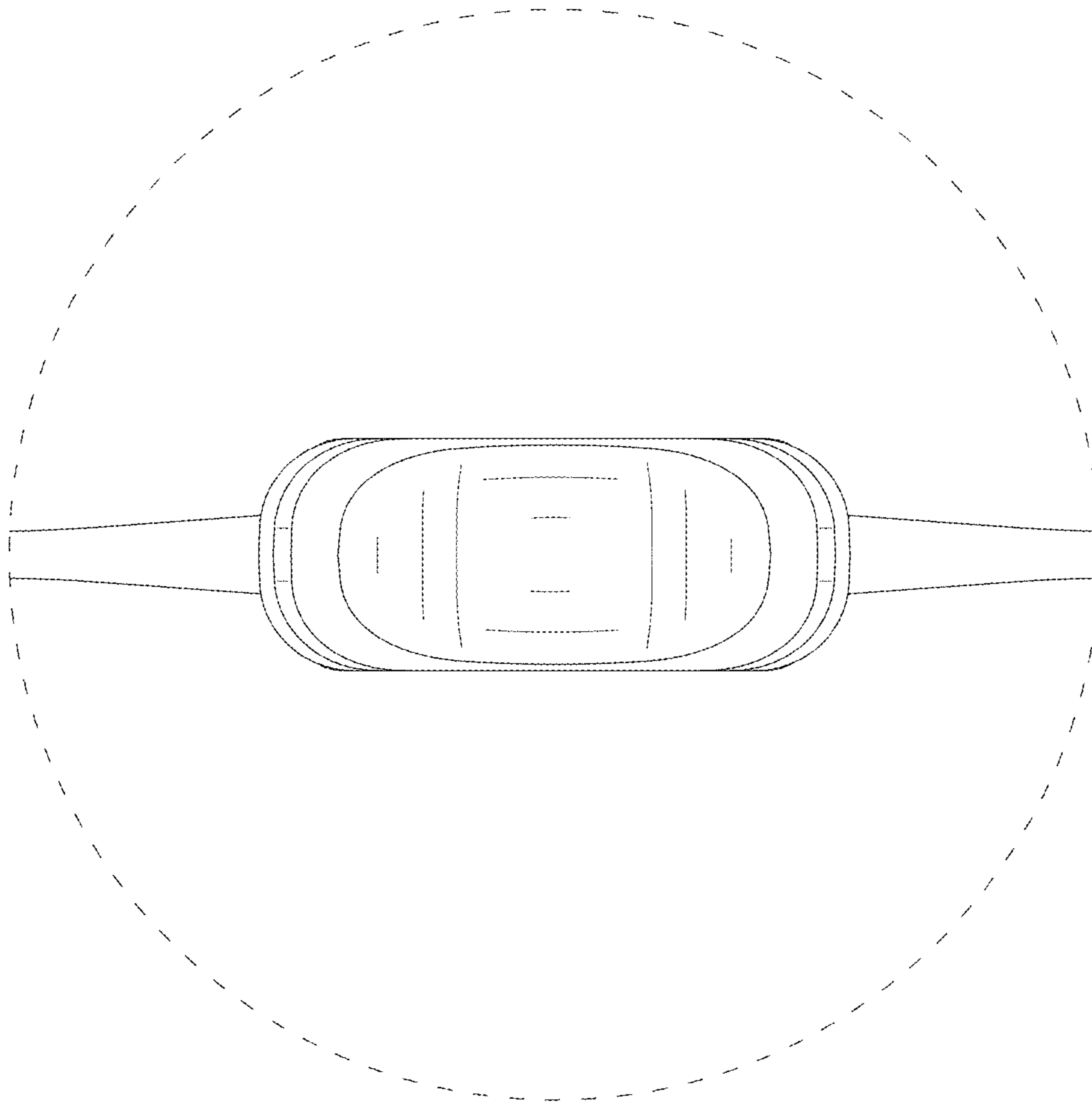


FIG.9