



US00D954895S

(12) **United States Design Patent**
O'Hara

(10) **Patent No.:** **US D954,895 S**

(45) **Date of Patent:** **** Jun. 14, 2022**

(54) **PET SHELTER**

(71) Applicant: **Rosemary O'Hara**, Louisville, OH
(US)

(72) Inventor: **Rosemary O'Hara**, Louisville, OH
(US)

(73) Assignee: **Brookview Development, LLC**,
Louisville, OH (US)

(**) Term: **15 Years**

(21) Appl. No.: **29/643,257**

(22) Filed: **Apr. 5, 2018**

Related U.S. Application Data

(63) Continuation of application No. 29/563,528, filed on
May 5, 2016, now abandoned.

(51) **LOC (13) Cl.** **22-06**

(52) **U.S. Cl.**
USPC **D22/119; D30/108**

(58) **Field of Classification Search**
USPC D30/108-119, 160, 161, 199; D25/12,
D25/13, 14, 17-19, 31, 33;
D22/119-124; 43/58, 60-61, 65-66, 70,
43/81, 136-137

CPC A01K 1/00; A01K 31/22; A01K 31/17;
A01K 1/033; A01K 1/035; A01K 31/18;
A01K 1/0245; A01K 1/0353; A01K 1/03;
A01K 1/0254; A01K 1/02; A01K 1/031
See application file for complete search history.

(56) **References Cited**

U.S. PATENT DOCUMENTS

D267,904 S * 2/1983 Hampel D25/1
D267,905 S * 2/1983 Keith D25/33
4,887,381 A * 12/1989 Tieben A01M 23/18
43/66
D306,475 S * 3/1990 Bowler D22/119
D315,430 S * 3/1991 Robertson, Sr. D30/108

5,832,656 A * 11/1998 Copenhaver, Sr. ... A01M 23/20
43/61
6,023,878 A * 2/2000 Fore A01M 23/08
43/61
D459,428 S * 6/2002 Johnson D22/119
D470,562 S * 2/2003 Lafforthun D22/119
D529,571 S * 10/2006 Hoyes D22/119

(Continued)

OTHER PUBLICATIONS

“Bell Labs T1 Mouse Pre-Baited Disposable Bait Station” available
Mar. 30, 2019, [online], [site visited Aug. 10, 2019]. Retrieved from
Internet, URL:https://www.domyown.com/t1-mouse-prebaited-
disposable-bait-station-p-11696.html?gclid=
EAlalQobChMlpZe91t354wIVFYvICh3d3Q5nEAQYByABEgJ7LPD_
BwE (Year: 2019).*

(Continued)

Primary Examiner — Michael C Stout

Assistant Examiner — Katrina N Gonzalez

(74) *Attorney, Agent, or Firm* — FisherBroyles, LLP

(57) **CLAIM**

The ornamental design for a pet shelter, as shown and
described.

DESCRIPTION

FIG. 1 is a front perspective view of a pet shelter showing
the new design.

FIG. 2 is a front view of the pet shelter of FIG. 1.

FIG. 3 is a rear view of the pet shelter of FIG. 1.

FIG. 4 is a right view of the pet shelter of FIG. 1.

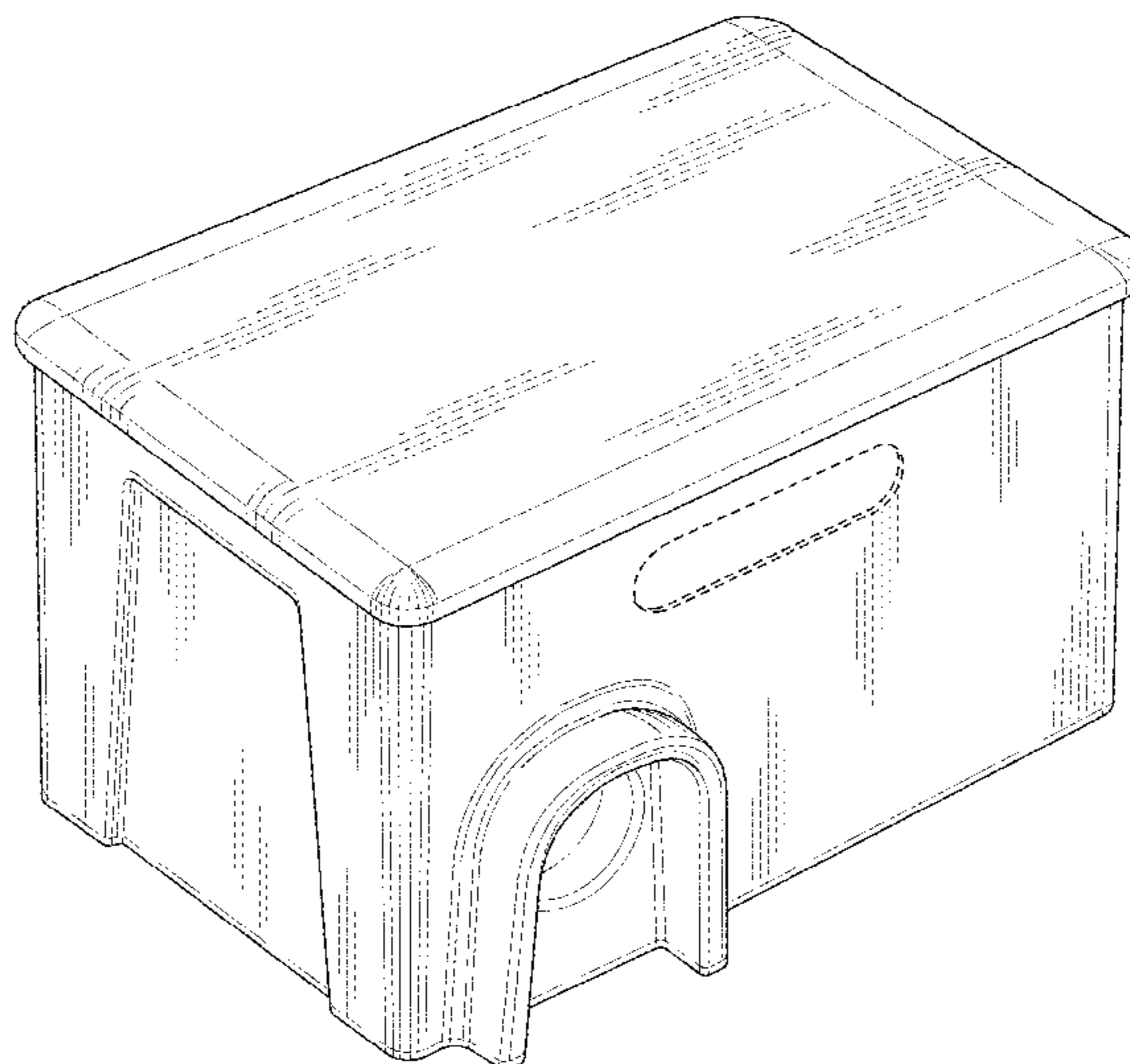
FIG. 5 is a left side view of the pet shelter of FIG. 1.

FIG. 6 is a top view of the pet shelter of FIG. 1.

FIG. 7 is a bottom view of the pet shelter of FIG. 1; and,
FIG. 8 is an enlarged view taken of the area identified VIII
in FIG. 7.

The broken lines illustrate portions of the pet shelter that
form no part of the claimed design.

1 Claim, 5 Drawing Sheets



(56)

References Cited

U.S. PATENT DOCUMENTS

D533,971	S *	12/2006	Carter	D30/108
D617,864	S *	6/2010	Cink	D22/119
D620,068	S *	7/2010	Cink	D22/119
D662,171	S *	6/2012	Dell'Orco	D22/119
D667,526	S *	9/2012	Covington	D22/119
D677,839	S *	3/2013	Goldsmith	D30/108
D690,789	S *	10/2013	Wauson	D22/119
D777,875	S *	1/2017	Bubar	D22/119
D802,080	S *	11/2017	Lo	D22/119
D823,552	S *	7/2018	O'Hara	D30/108
D828,484	S *	9/2018	Vickery	D22/119
D829,846	S *	10/2018	Vickery	D22/119
D852,923	S *	7/2019	Ryan	D22/119
D855,898	S *	8/2019	Koskey, Jr.	D30/108
D884,824	S *	5/2020	Baker	D22/119
2009/0229534	A1 *	9/2009	Fredericks	A01K 1/0023 119/484
2010/0006037	A1 *	1/2010	Salzman	A01K 15/024 119/484
2013/0118056	A1 *	5/2013	Covington	E05C 19/06 43/131

OTHER PUBLICATIONS

“Victor Mouse Zapper Electronic Mouse Trap at Lowes.com” available Apr. 30, 2014, [online], [site visited Aug. 10, 2019]. Retrieved from Internet, URL:<https://www.lowes.com/pd/victor-mouse-zapper-electronic-mouse-trap/50092422> (Year: 2014).*

“Protecta EVO Express Bait Station” available Sep. 13, 2013, [online], [site visited Aug. 10, 2019]. Retrieved from Internet, URL:<https://www.domyown.com/protecta-evo-express-bait-station-p-2243.html> (Year: 2013).*

“Professional Mouse Trap Rodent Bait Block Station Box” available Mar. 4, 2019, [online], [site visited Aug. 10, 2019]. Retrieved from Internet, URL:<https://de.aliexpress.com/item/32937033234.html> (Year: 2019).*

* cited by examiner

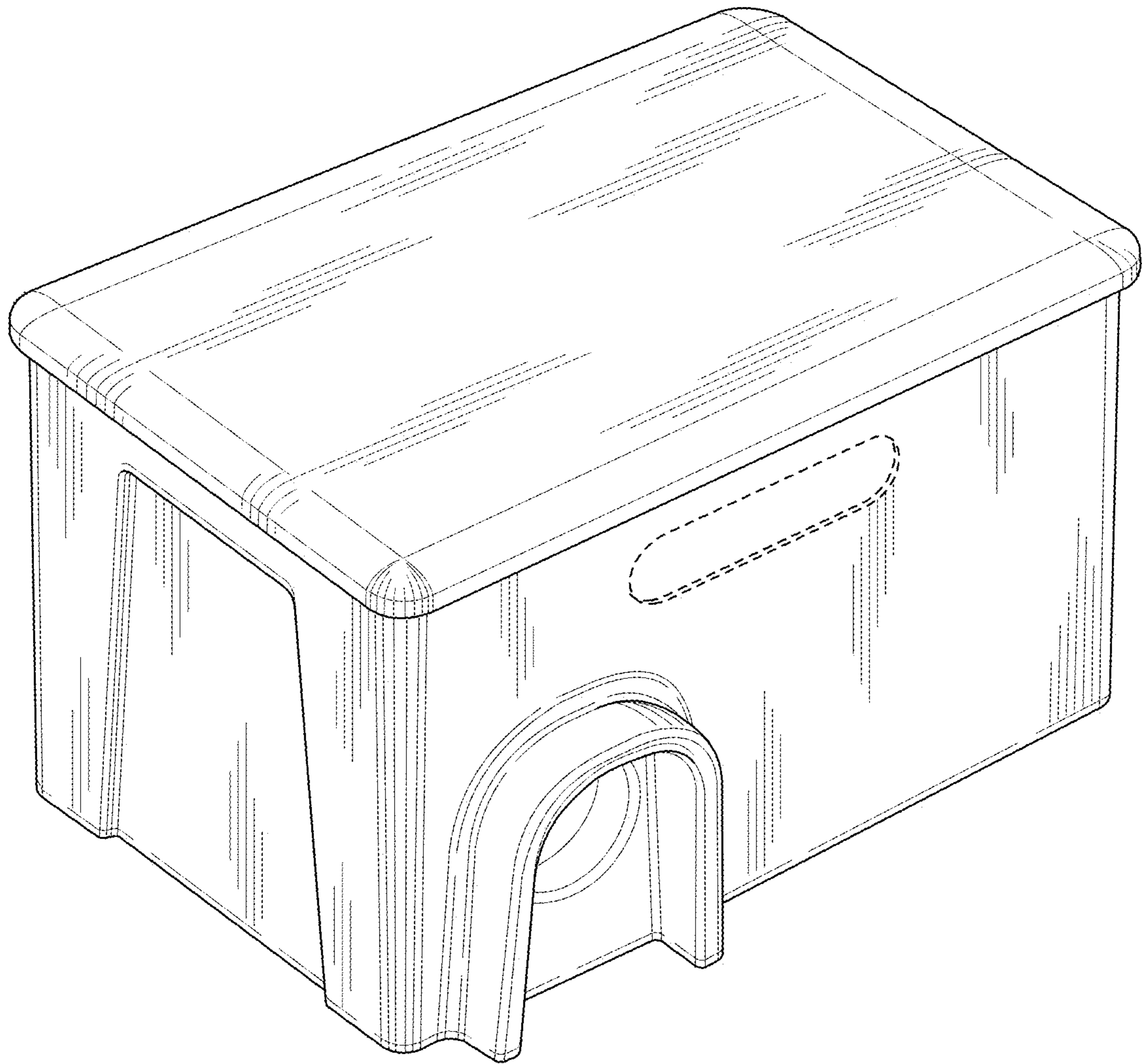


Fig. 1

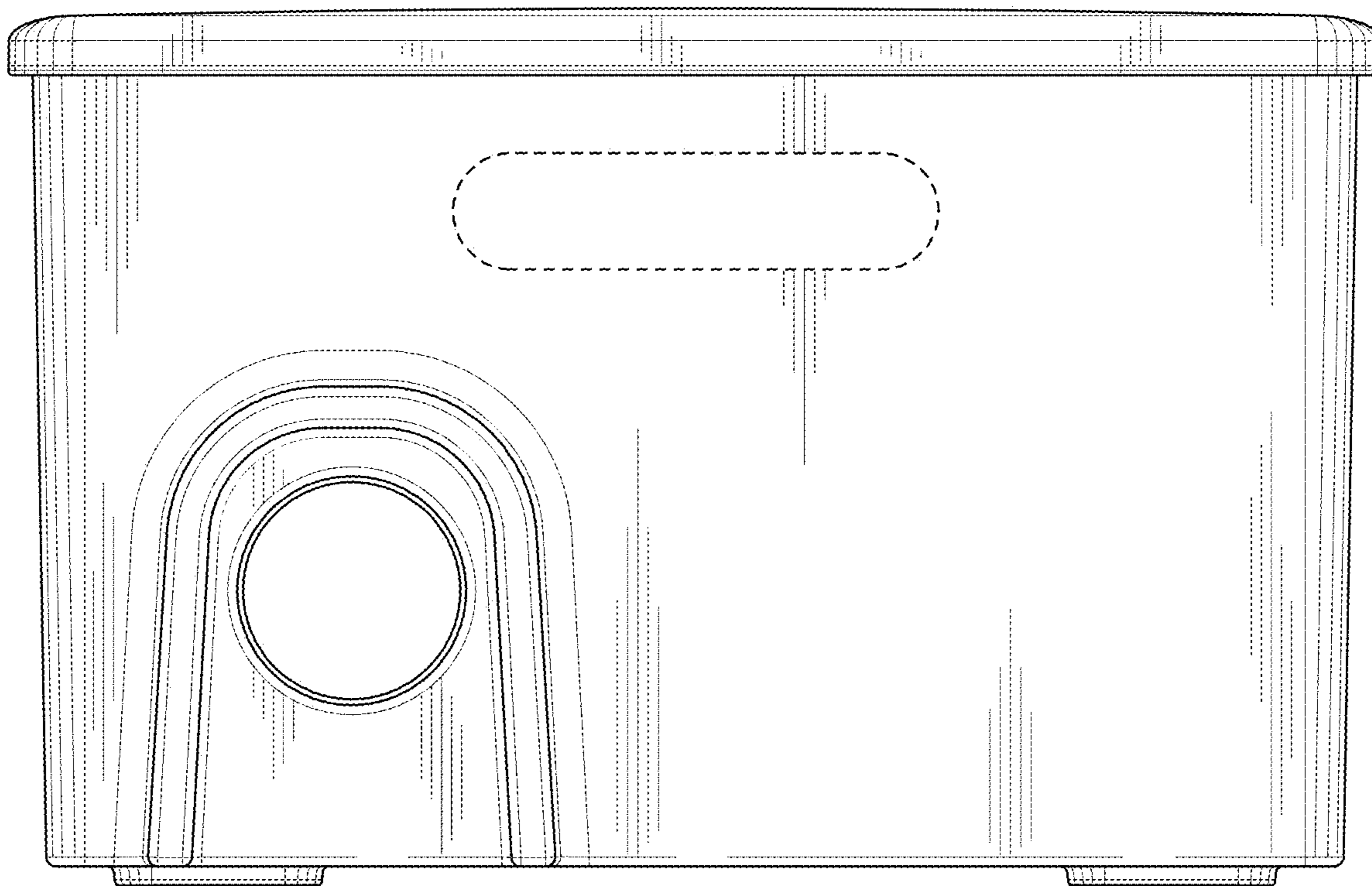


Fig. 2

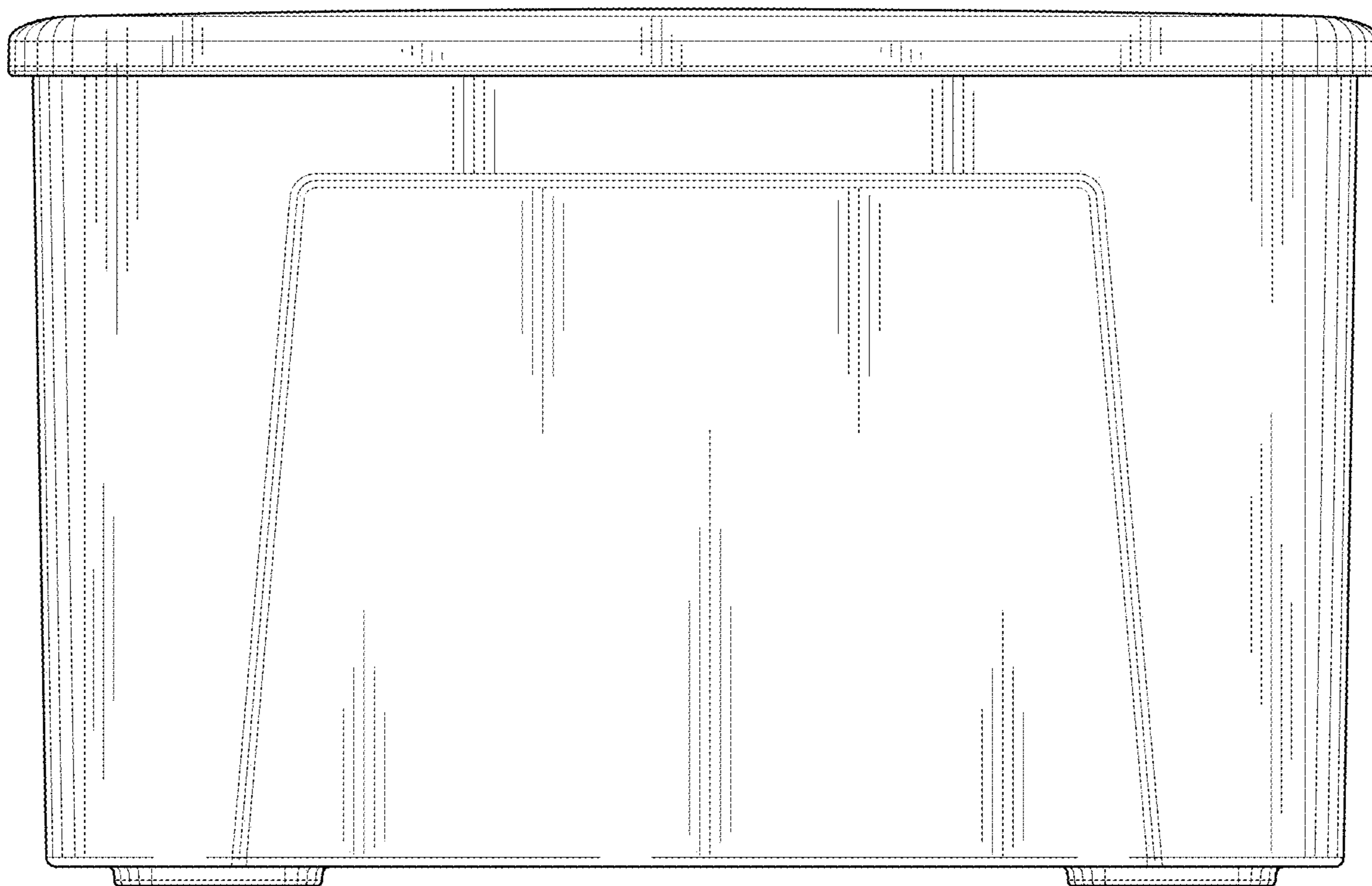


Fig. 3

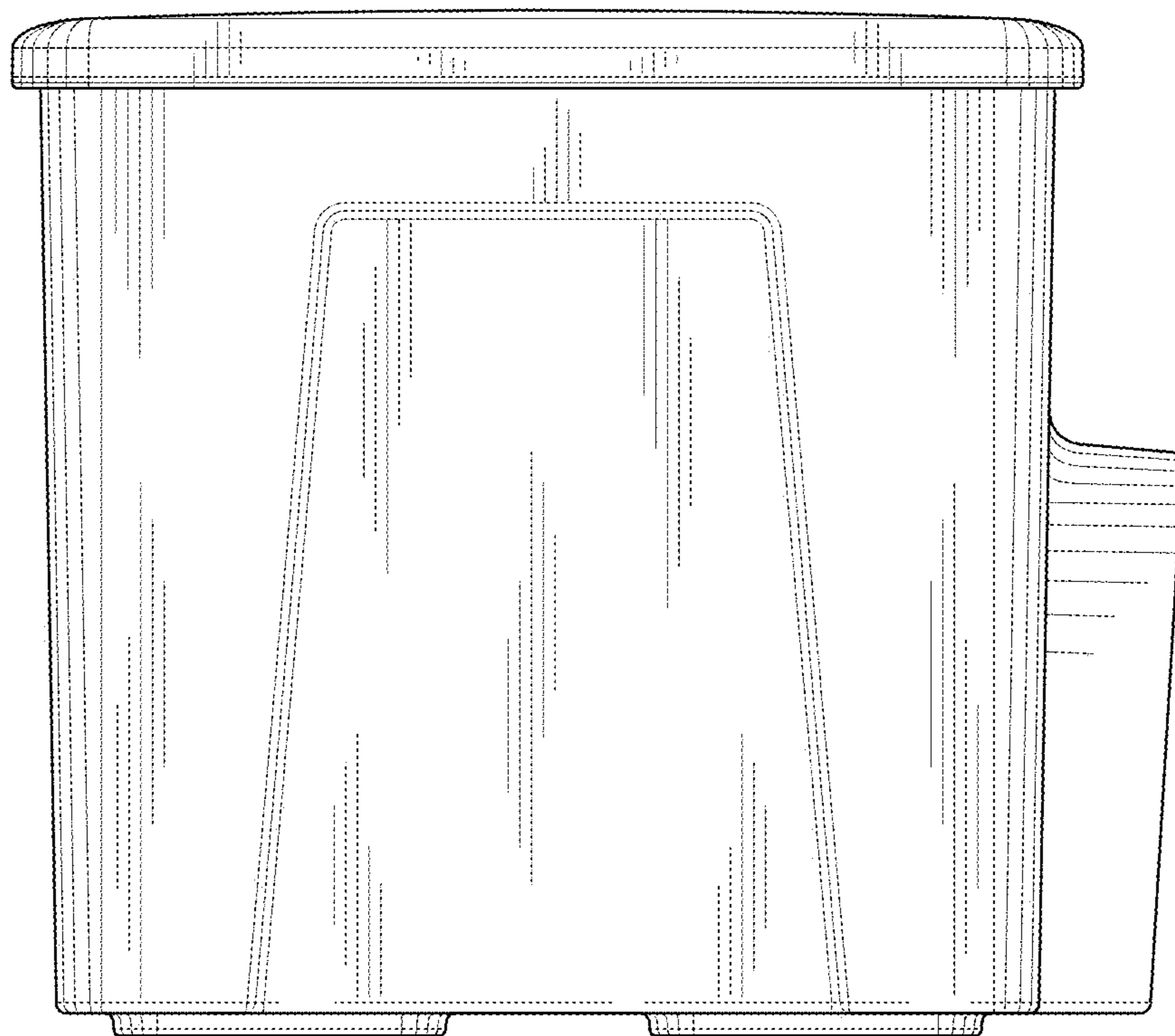


Fig. 4

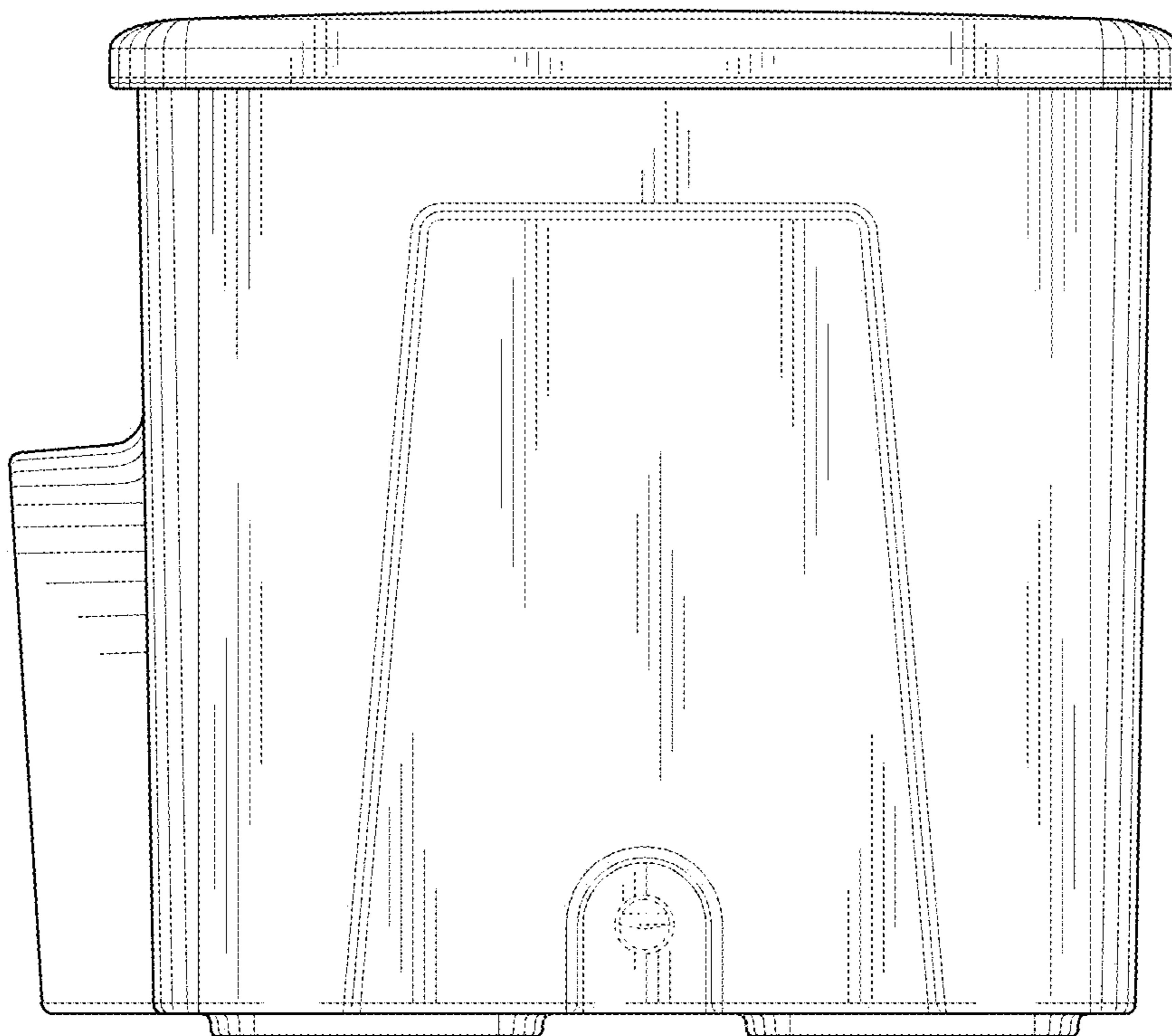


Fig. 5

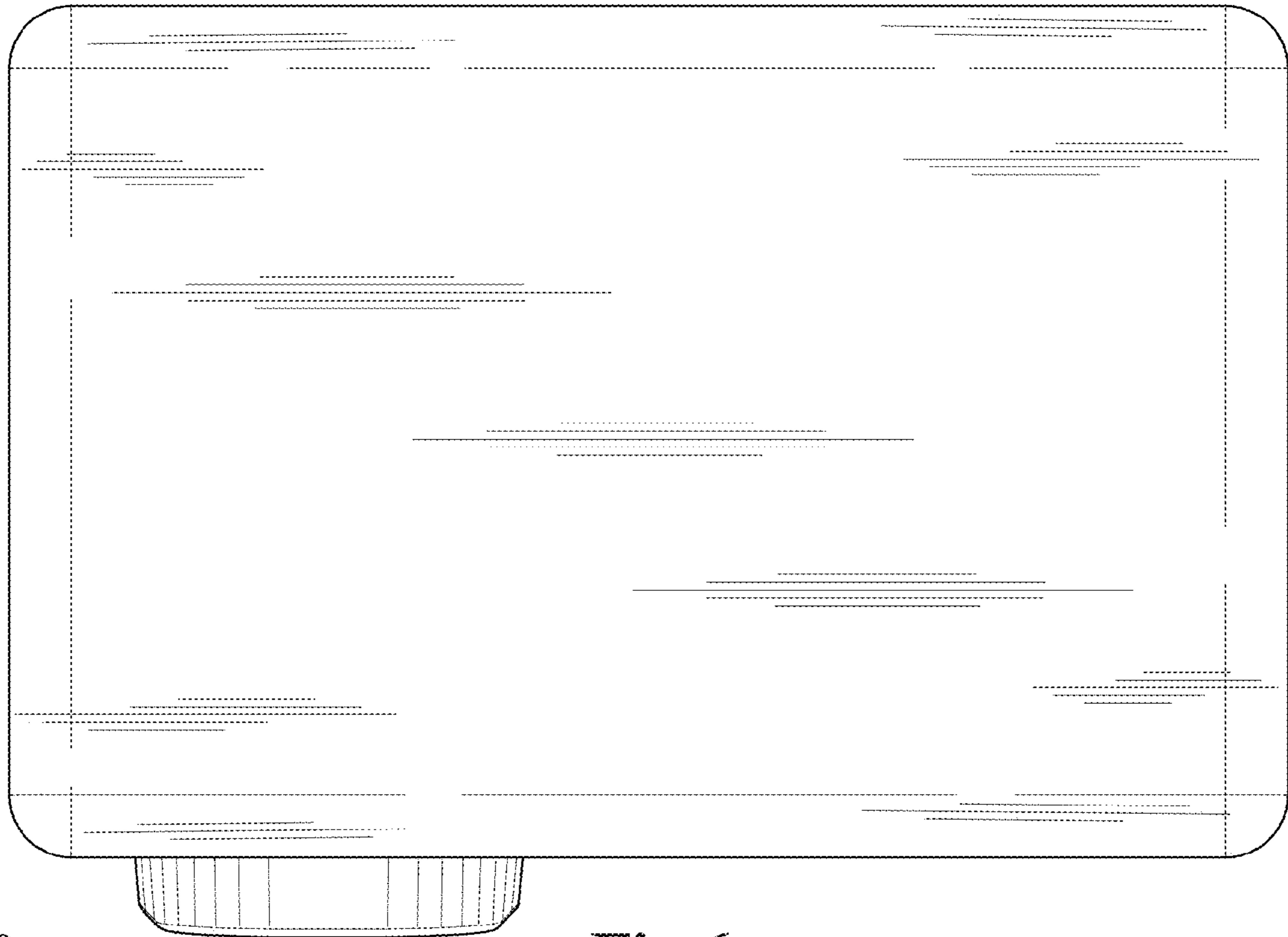


Fig. 6

Fig. 8

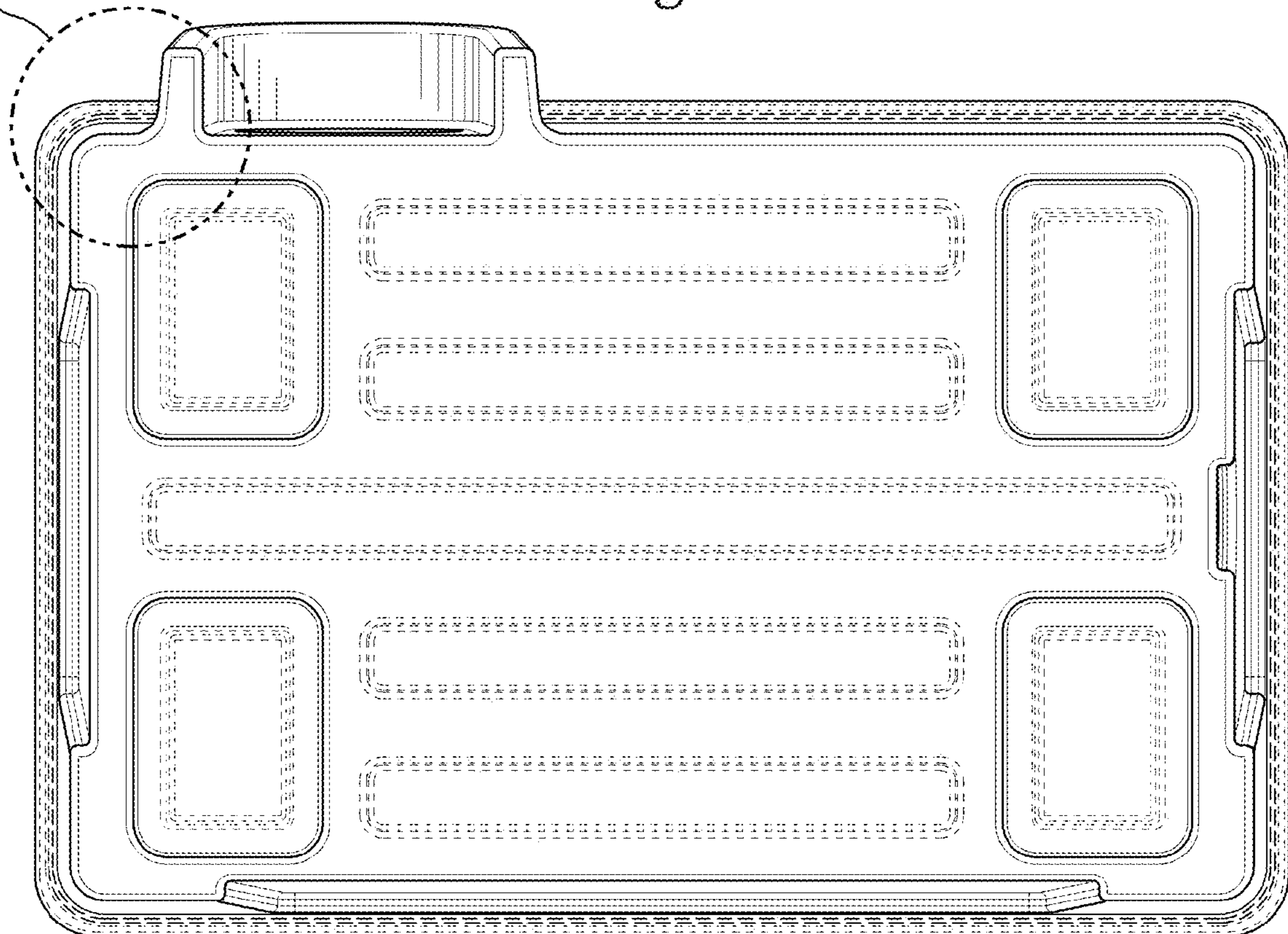


Fig. 7

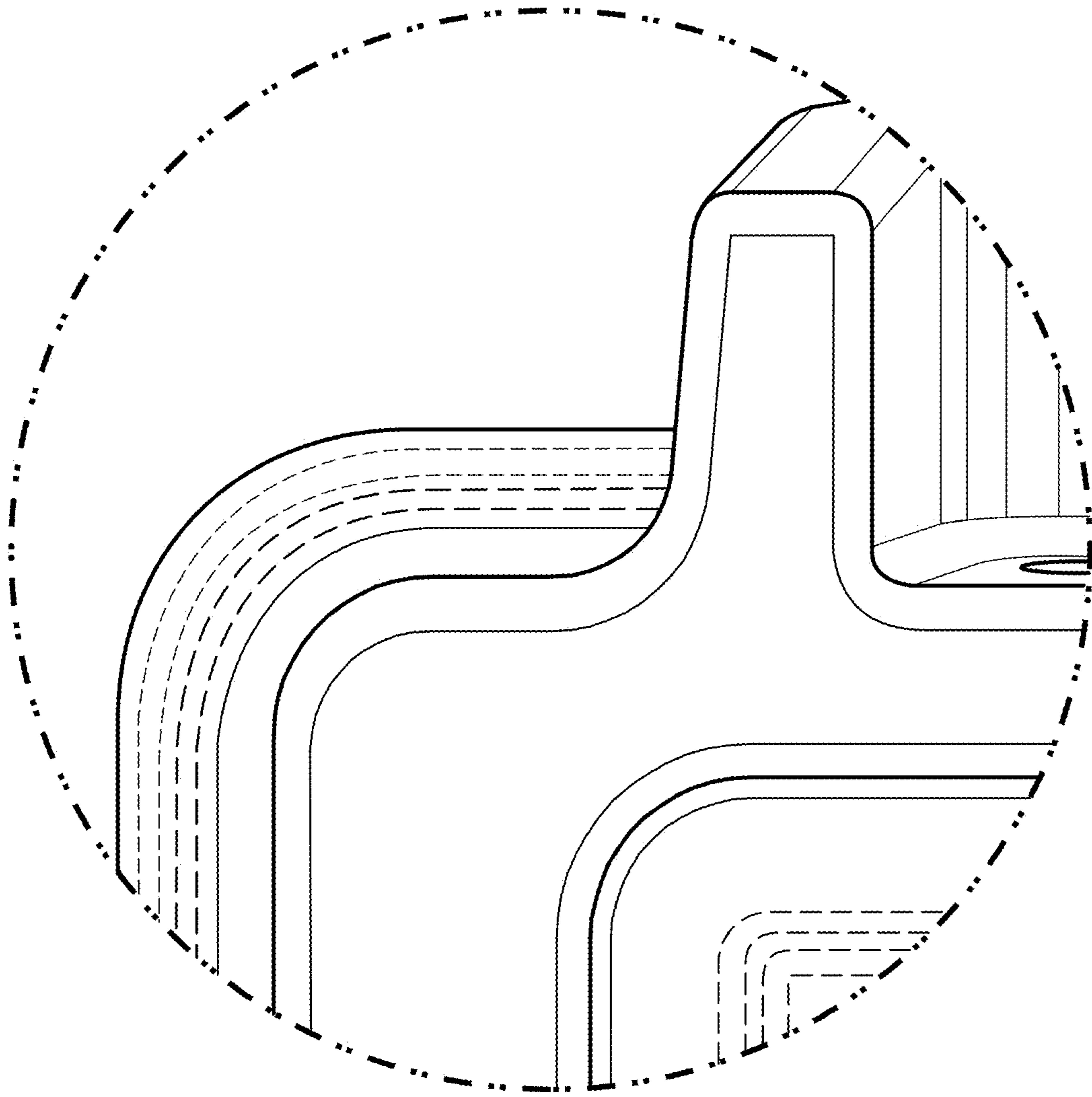


Fig. 8