



US00D954894S

(12) **United States Design Patent**  
**Zhou**

(10) **Patent No.:** **US D954,894 S**  
(45) **Date of Patent:** **\*\* Jun. 14, 2022**

(54) **SHOOTING TARGET**

(71) Applicant: **Shenzhen Yunqi Technology Co., Ltd.**,  
Guangdong (CN)

(72) Inventor: **Yunxian Zhou**, Guangdong (CN)

(73) Assignee: **Shenzhen Yunqi Technology Co., Ltd.**,  
Guangdong (CN)

(\*\*) Term: **15 Years**

(21) Appl. No.: **29/798,600**

(22) Filed: **Jul. 8, 2021**

(51) **LOC (13) Cl.** ..... **22-04**

(52) **U.S. Cl.**  
USPC ..... **D22/113**

(58) **Field of Classification Search**  
USPC ..... D22/100, 102, 103, 109, 113, 116;  
D21/302, 305  
CPC . F41J 1/00; F41J 1/10; F41J 7/04; F41J 9/02;  
F41J 3/00  
See application file for complete search history.

(56) **References Cited**

**U.S. PATENT DOCUMENTS**

4,295,648	A *	10/1981	Stromback	.....	A63B 63/00 473/456
5,938,203	A *	8/1999	Beckwith, Sr.	.....	F41J 1/10 273/407
6,491,303	B1 *	12/2002	Huston	.....	F41J 1/10 273/407
D841,759	S	2/2019	Thompson		
D872,181	S *	1/2020	Engler	.....	D21/302
D872,182	S *	1/2020	Engler	.....	D21/305
D879,228	S	3/2020	Taft		

(Continued)

**OTHER PUBLICATIONS**

Amazon website, Welltin Shooting Game Toy, Publication date unknown, [site visited Apr. 12, 2022], Available on the Internet

URL <https://www.amazon.com/Welltin-Shooting-Birthday-Halloween-Christmas/dp/B09B1TVZ11?th=1> (Year: 2022).\*

*Primary Examiner* — S. Bryan Reinholdt, Jr.

(74) *Attorney, Agent, or Firm* — True Shepherd, LLC;  
Andrew Cheng

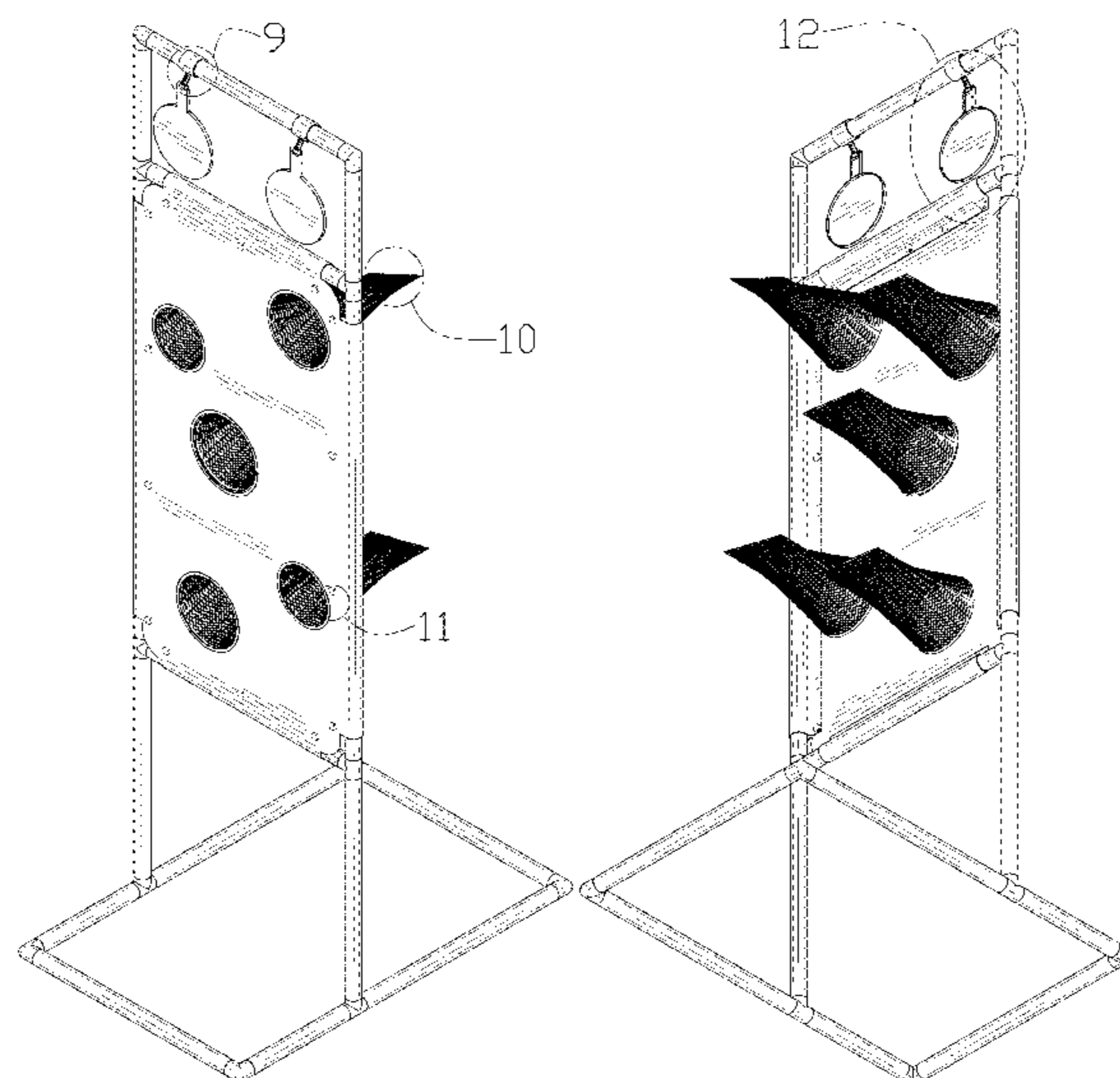
(57) **CLAIM**

The ornamental design for a shooting target, as shown and described.

**DESCRIPTION**

FIG. 1 is a front, right, and top perspective view of a shooting target, showing my design.  
 FIG. 2 is a rear, left, and bottom perspective view thereof.  
 FIG. 3 is a front elevation view thereof.  
 FIG. 4 is a rear elevation view thereof.  
 FIG. 5 is a left side elevation view thereof.  
 FIG. 6 is a right side elevation view thereof.  
 FIG. 7 is a top plan view thereof.  
 FIG. 8 is a bottom plan view thereof.  
 FIG. 9 is a partial enlarged view of an area labeled 9 in FIG. 1 comprising a ring.  
 FIG. 10 is a partial enlarged view of an area labeled 10 in FIG. 1 comprising a part of a net pocket.  
 FIG. 11 is a partial enlarged view of an area labeled 11 in FIG. 1 comprising a part of a panel.  
 FIG. 12 is a partial enlarged view of an area labeled 12 in FIG. 2 comprising a hanger piece; and,  
 FIG. 13 is another front, right, and top perspective view of the shooting target of FIG. 1, showing a using state.  
 The dot-dash broken lines in FIGS. 1, 2 and 9-12 depict the boundaries of the enlargements that form no part of the claimed design. The evenly spaced broken lines in FIGS. 1-9 and 11-13 depict portions of the shooting target that form no part of the claimed design. The evenly spaced broken lines in FIG. 13 depicting the environment of guns and projectiles form no part of the claimed design.

**1 Claim, 13 Drawing Sheets**





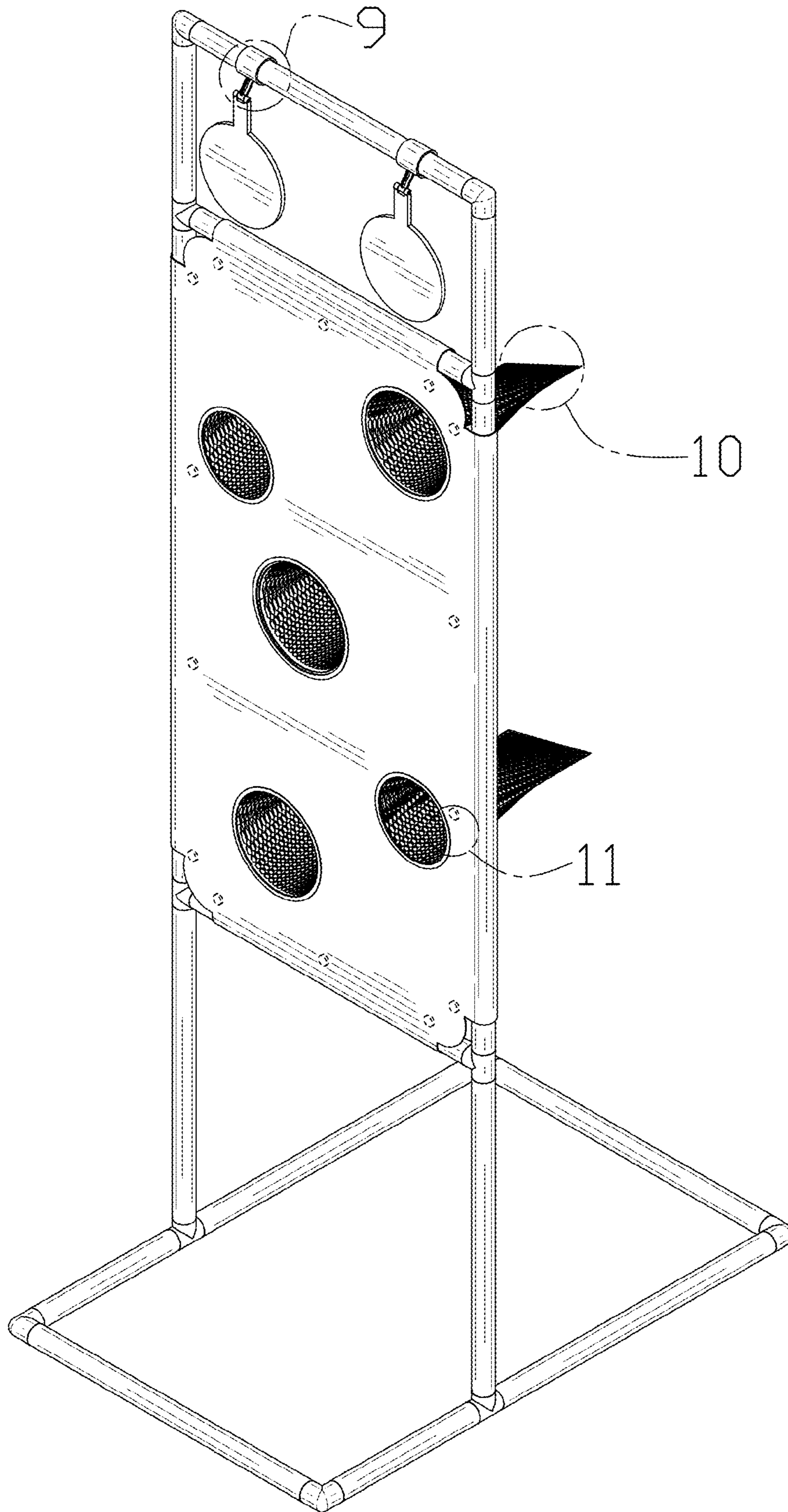


FIG. 1

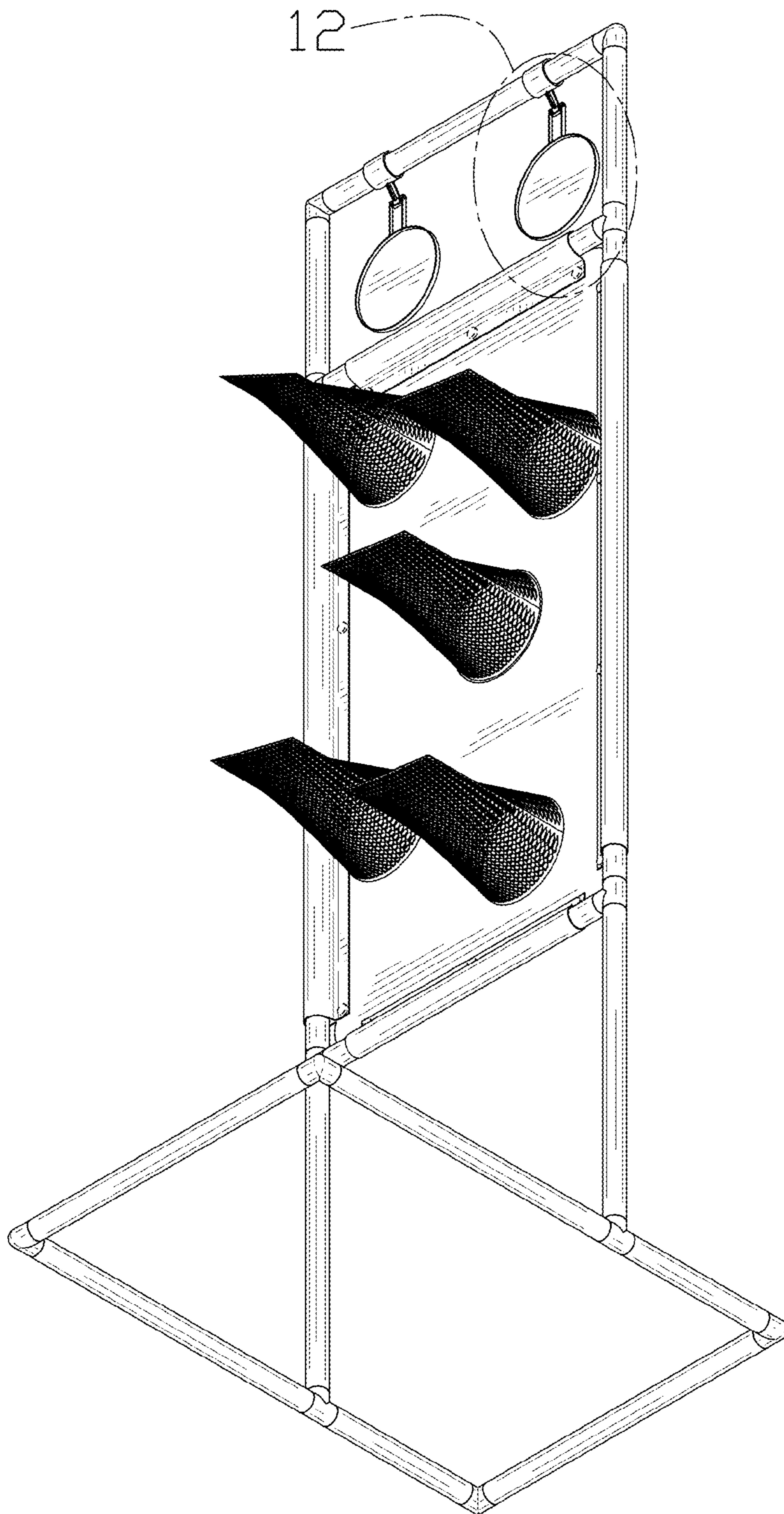


FIG. 2

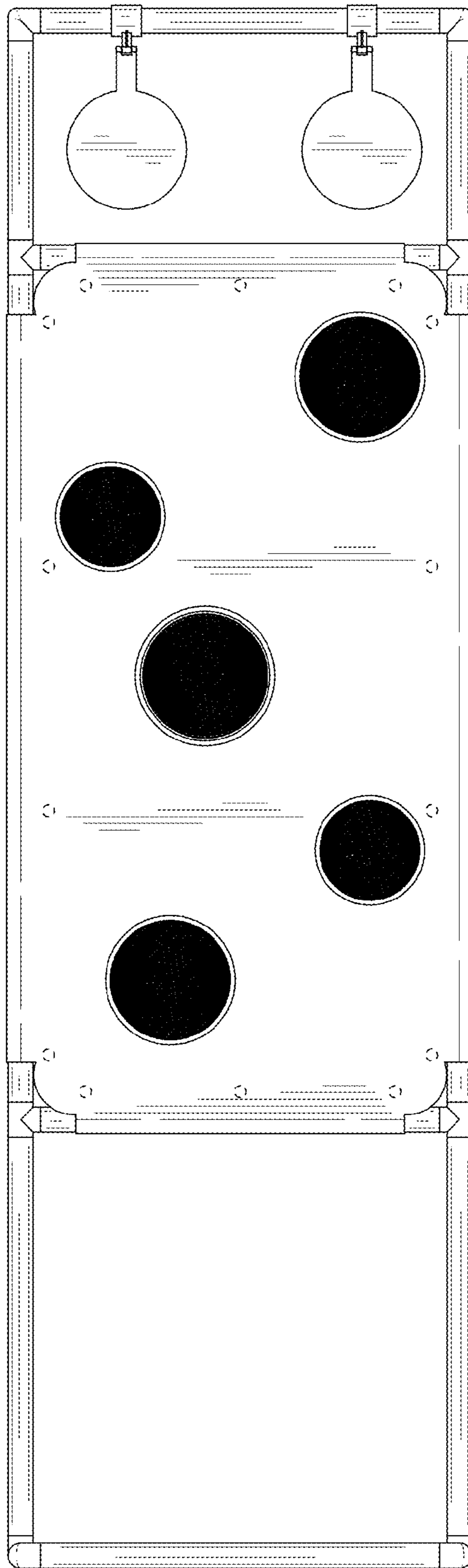


FIG. 3

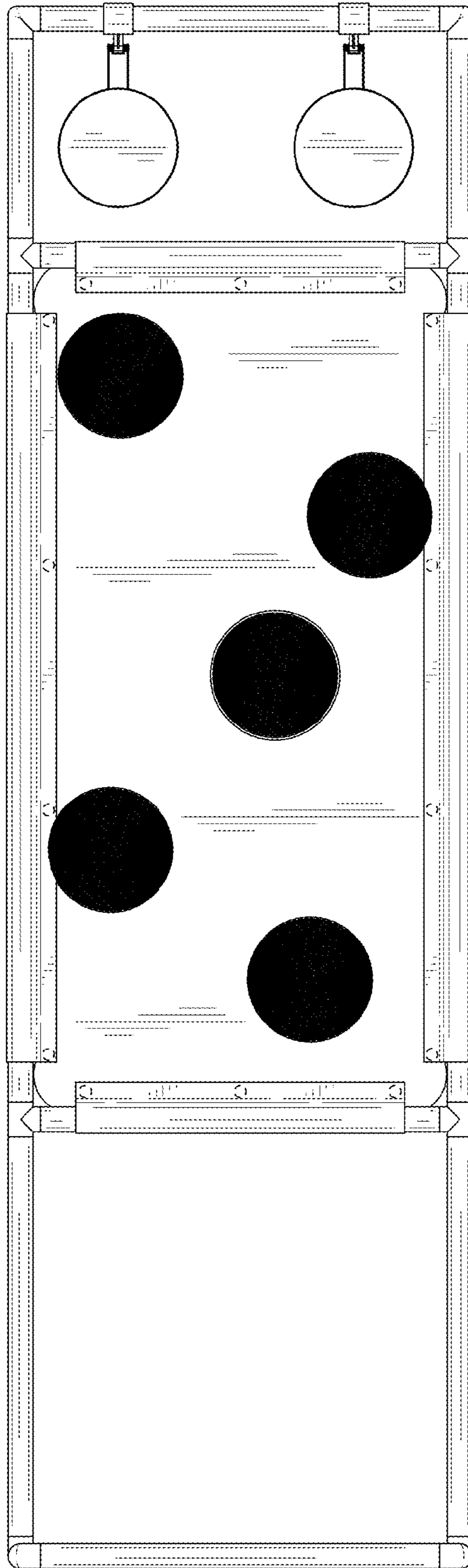


FIG. 4

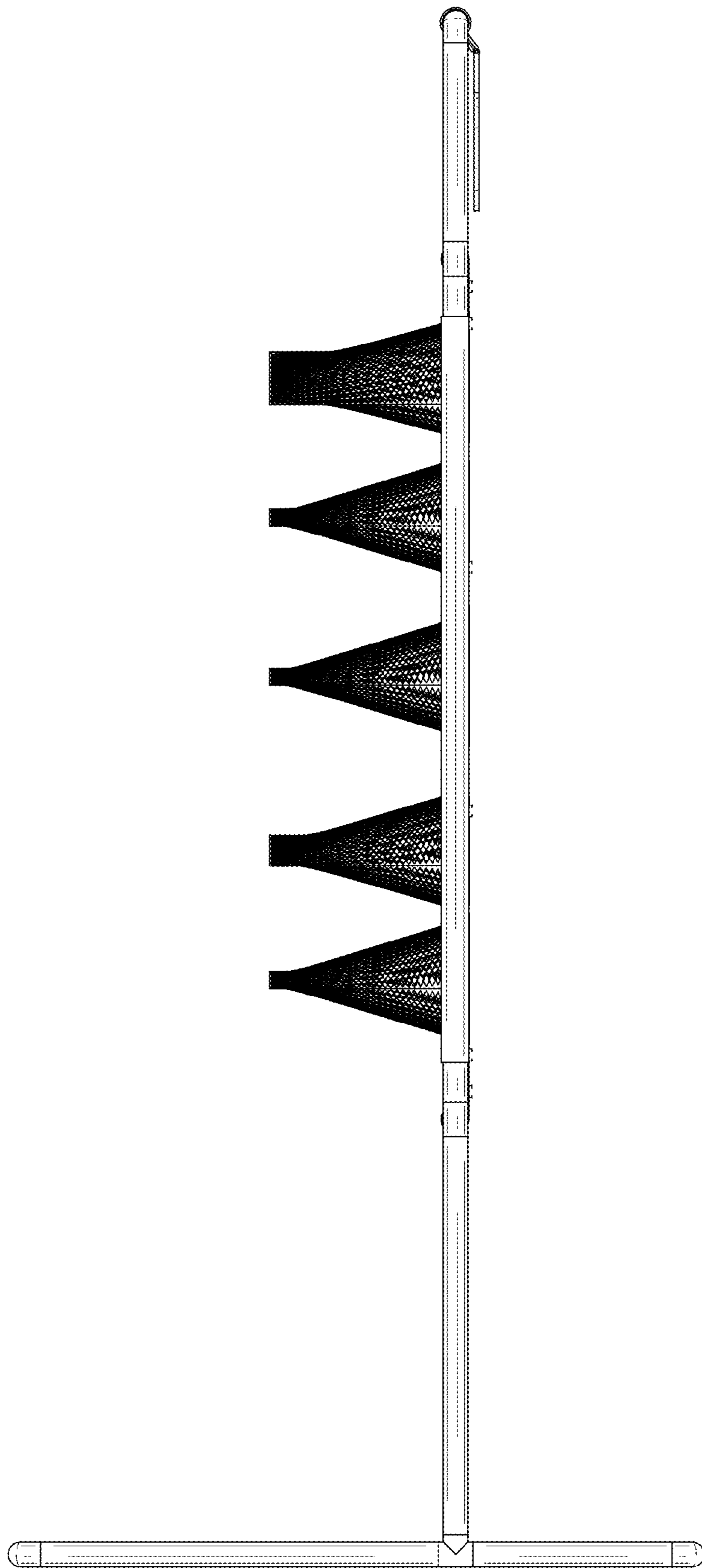


FIG. 5

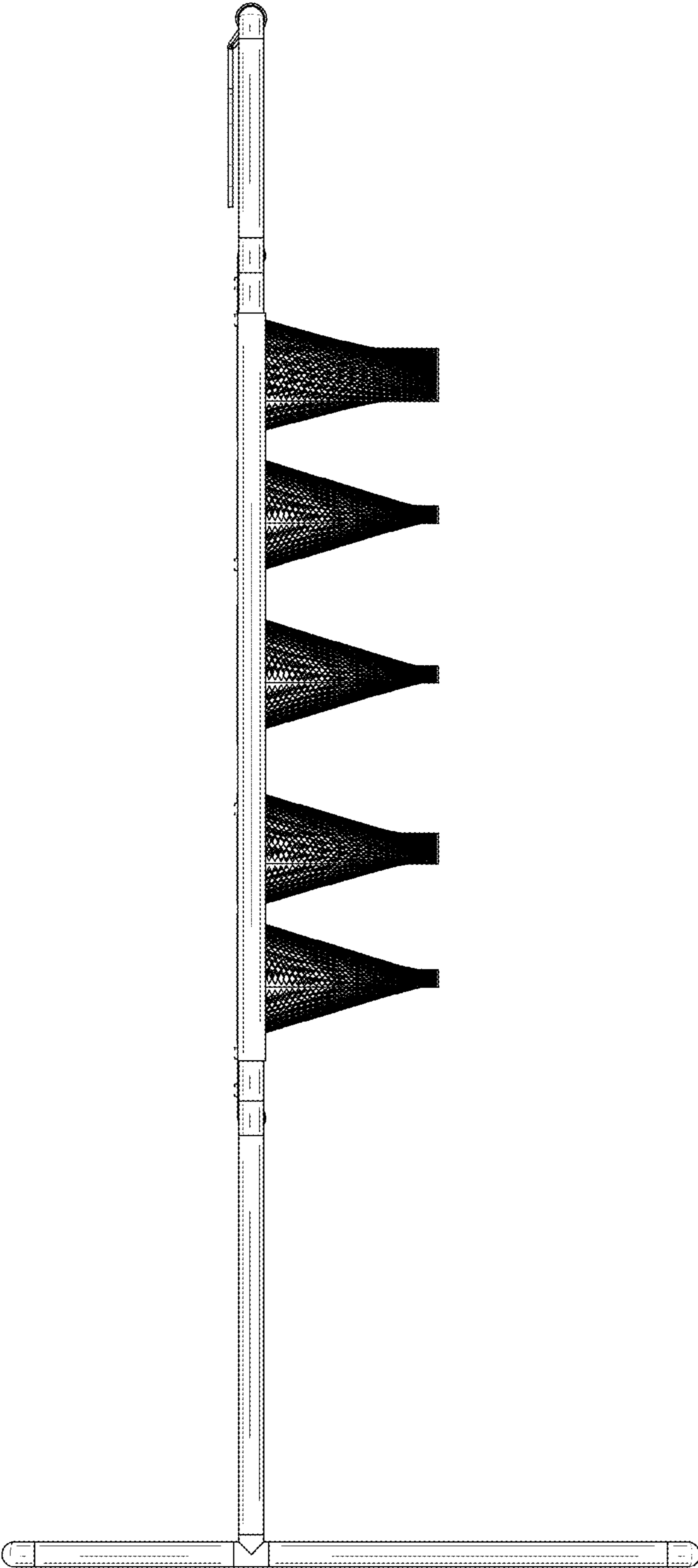


FIG. 6



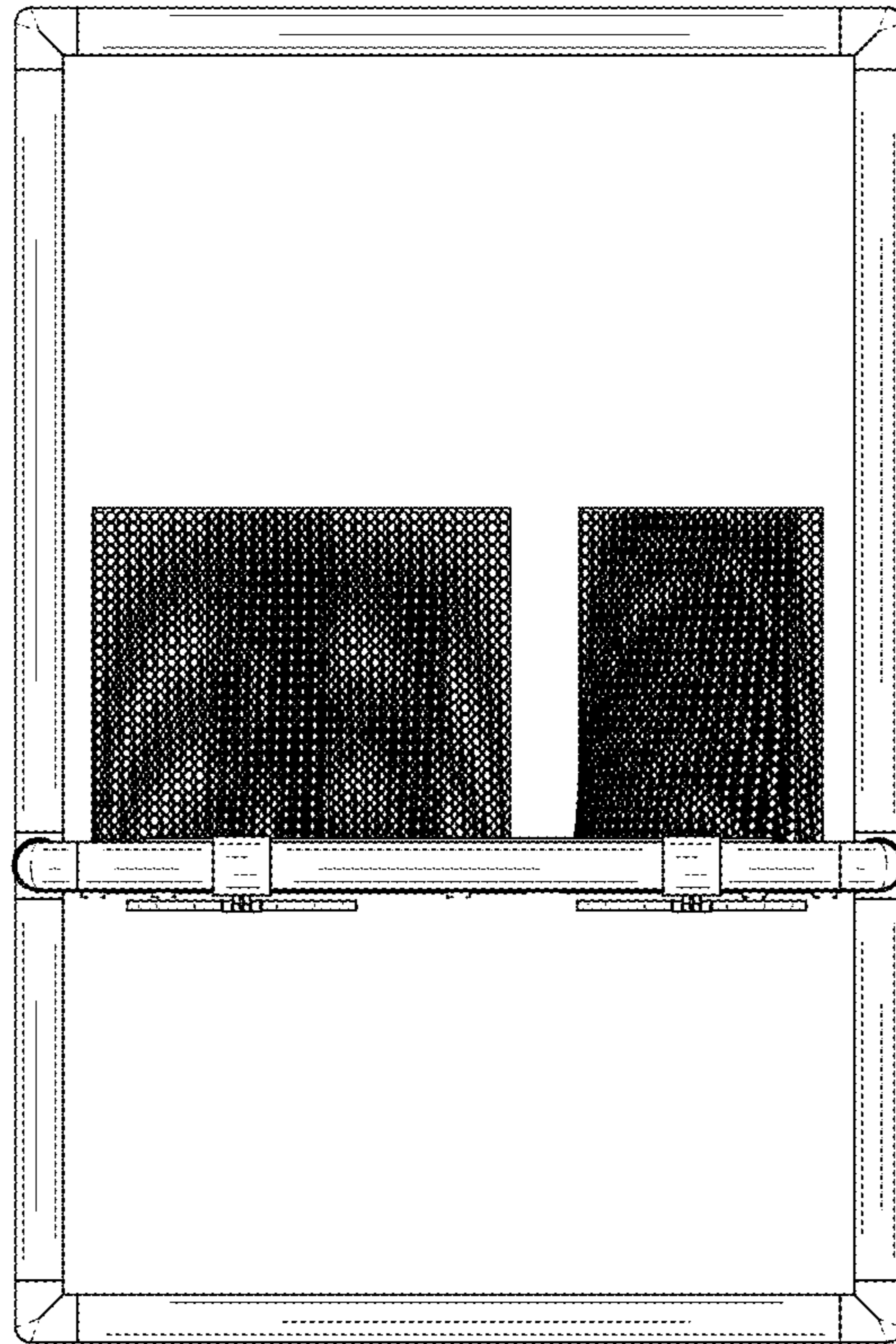


FIG. 7

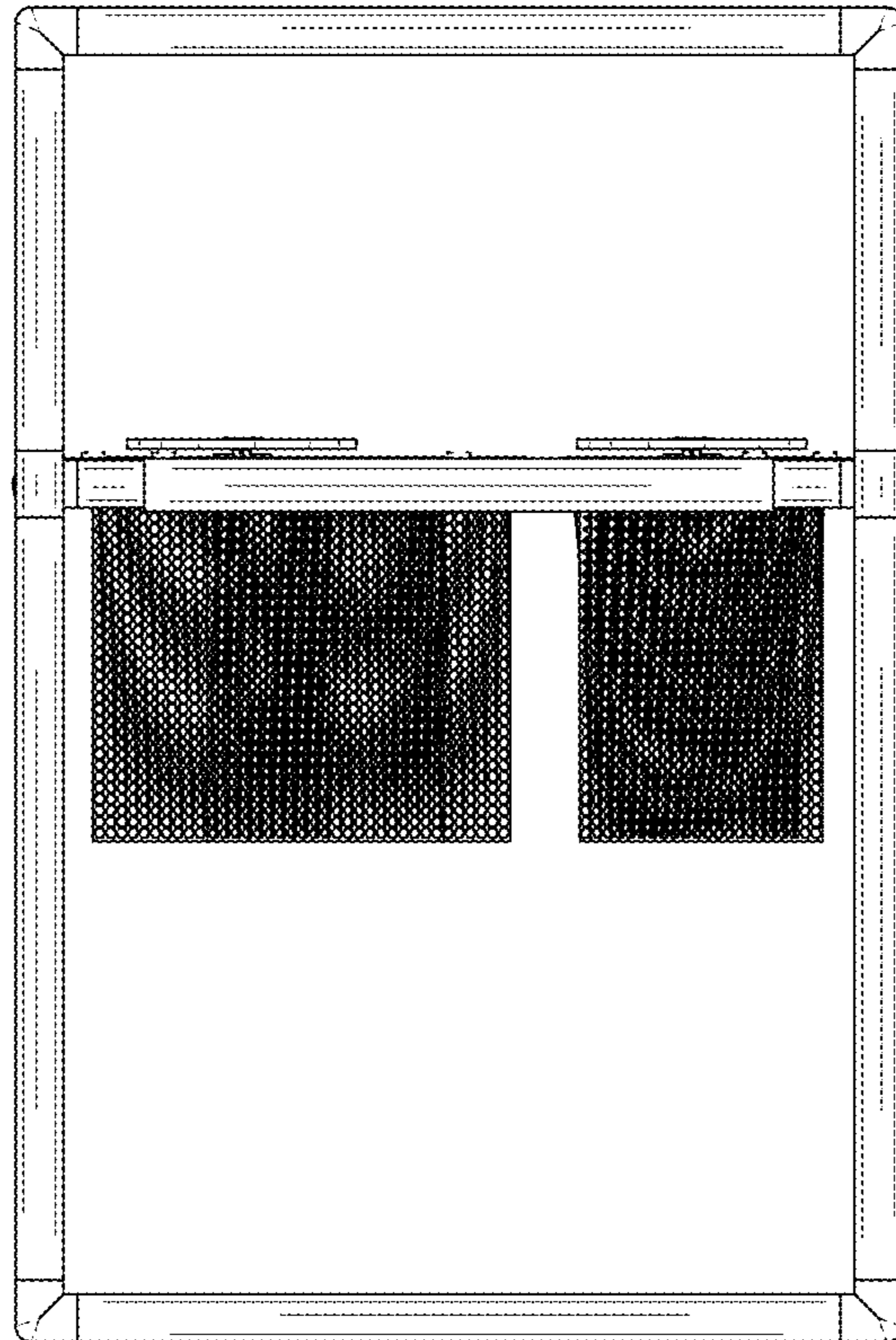


FIG. 8

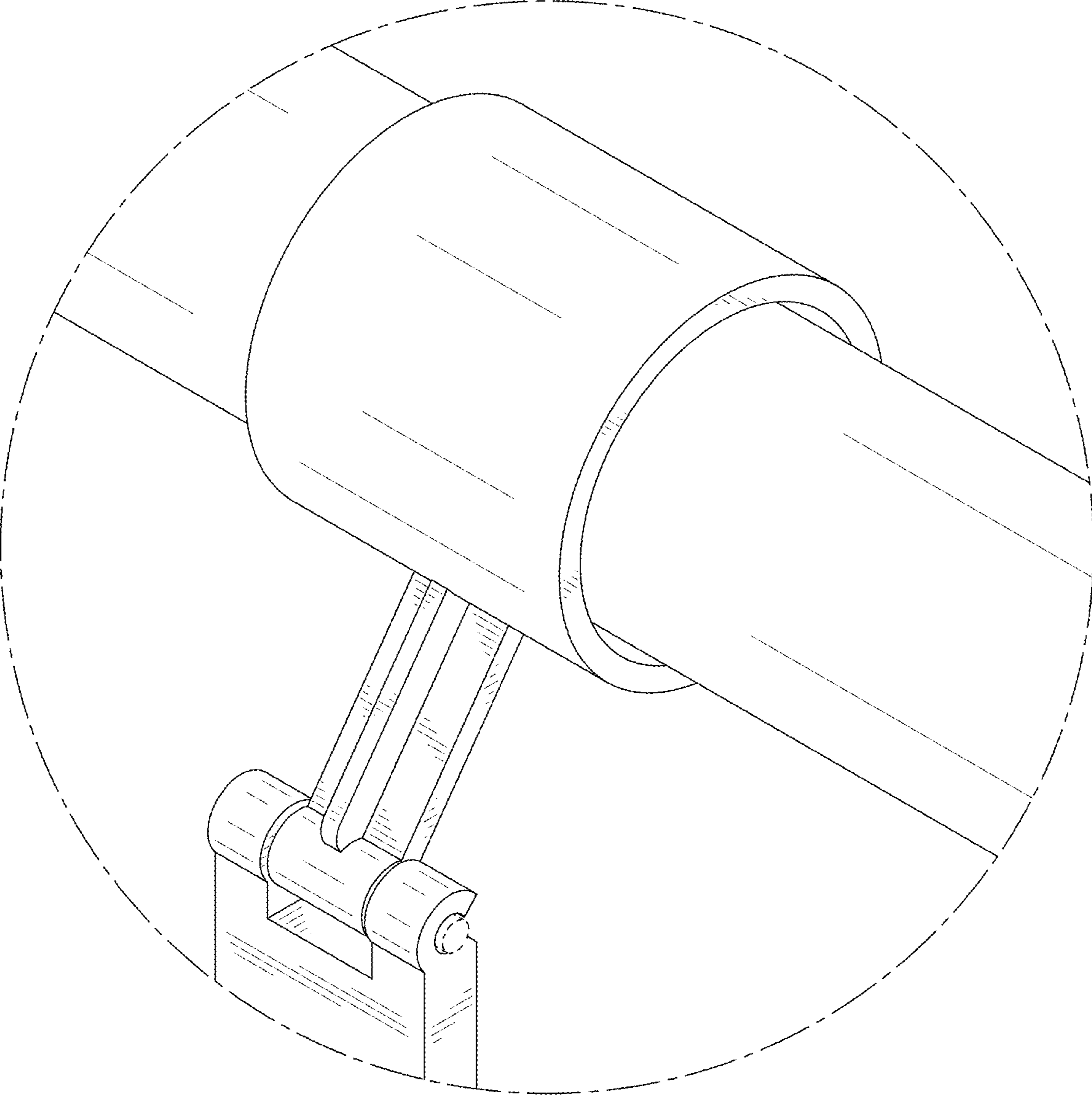


FIG. 9

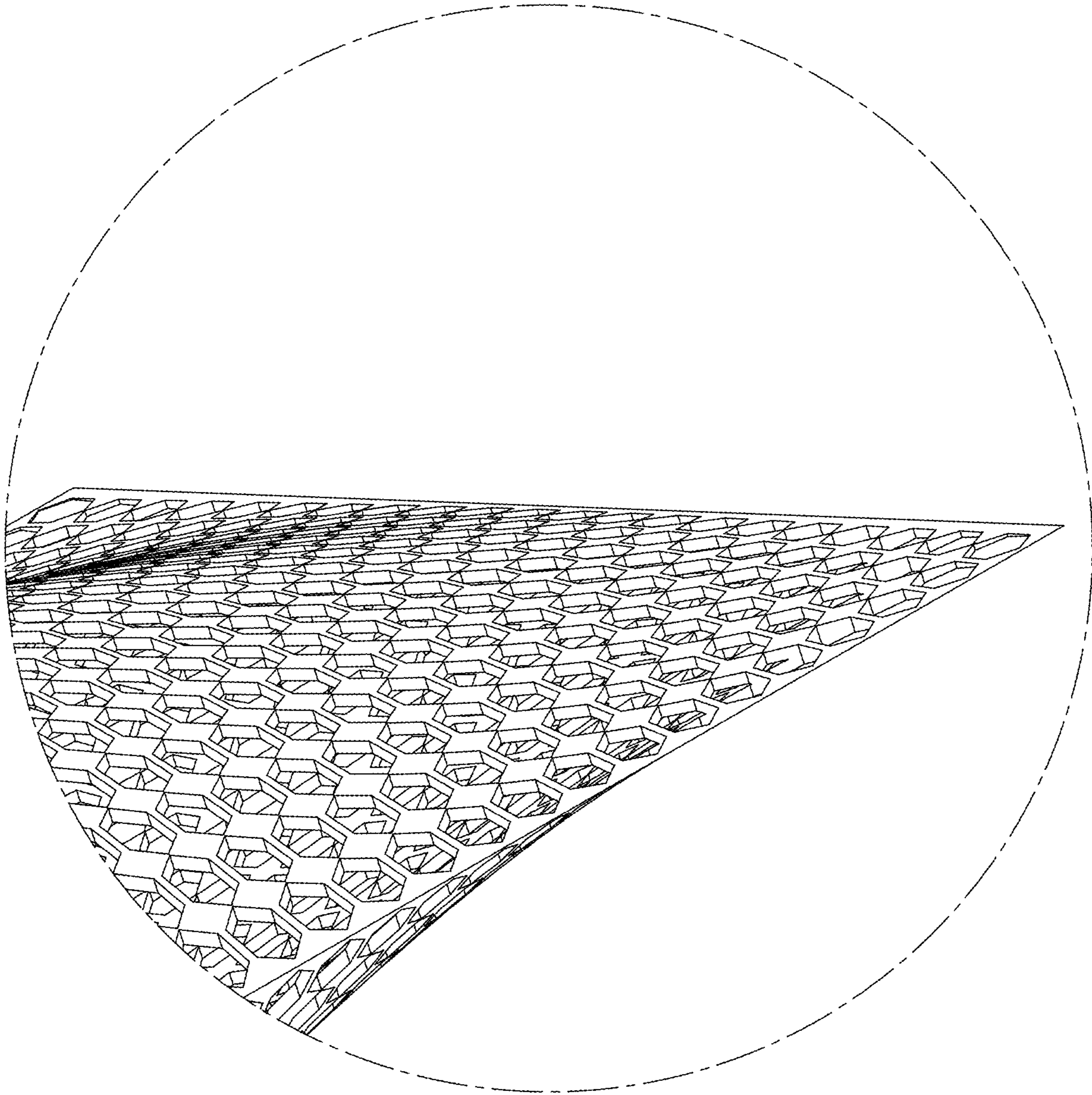


FIG. 10

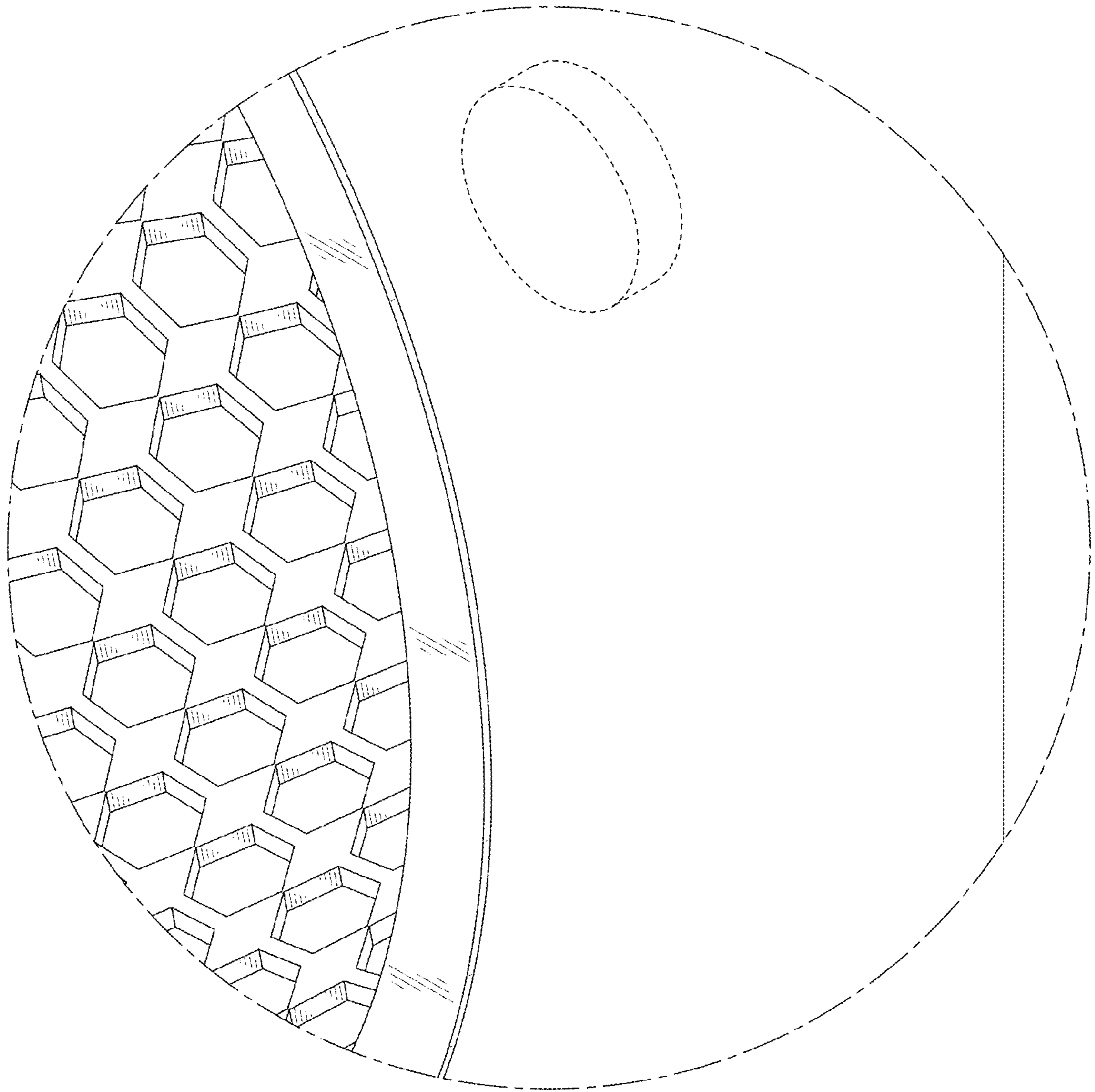


FIG. 11

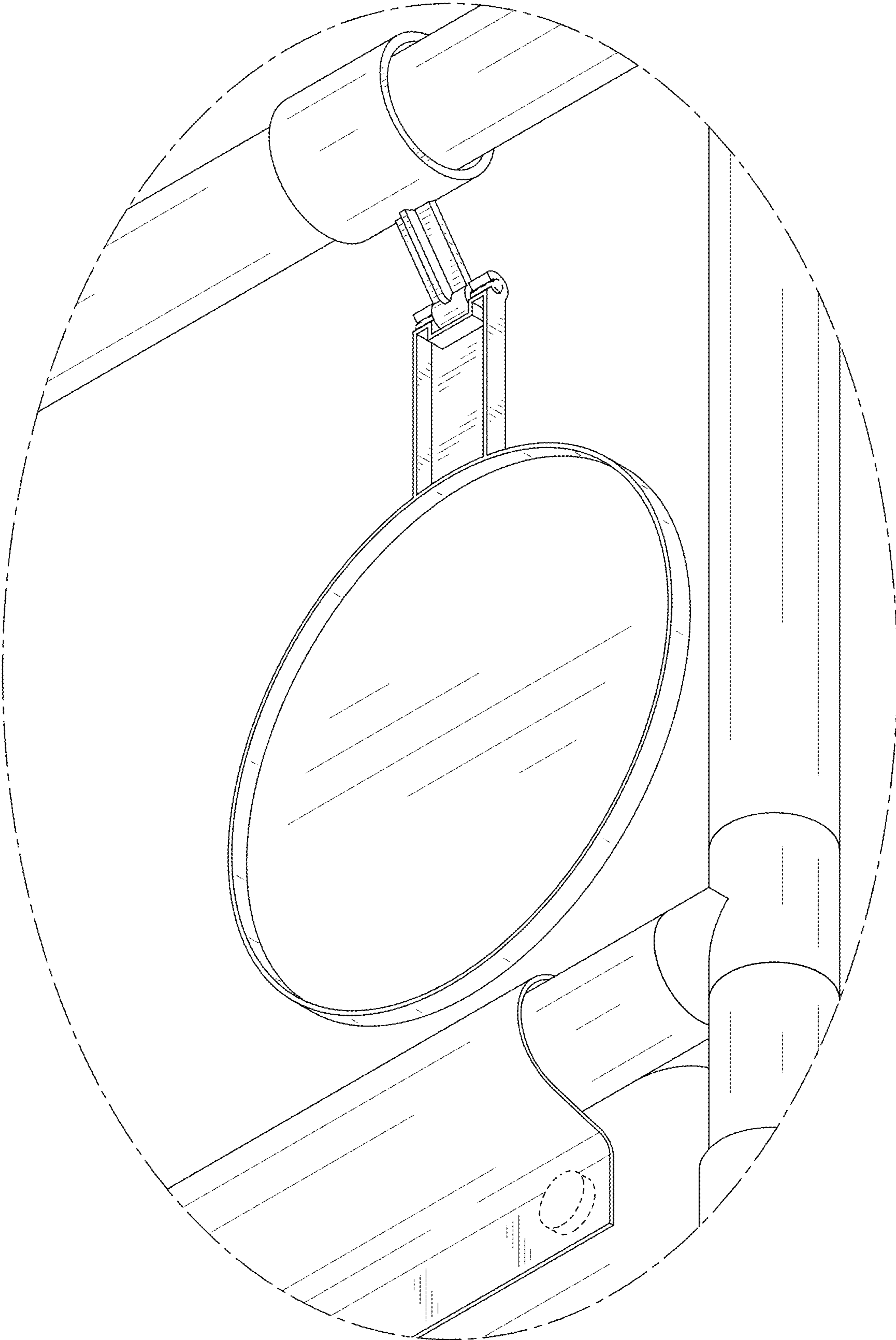


FIG. 12

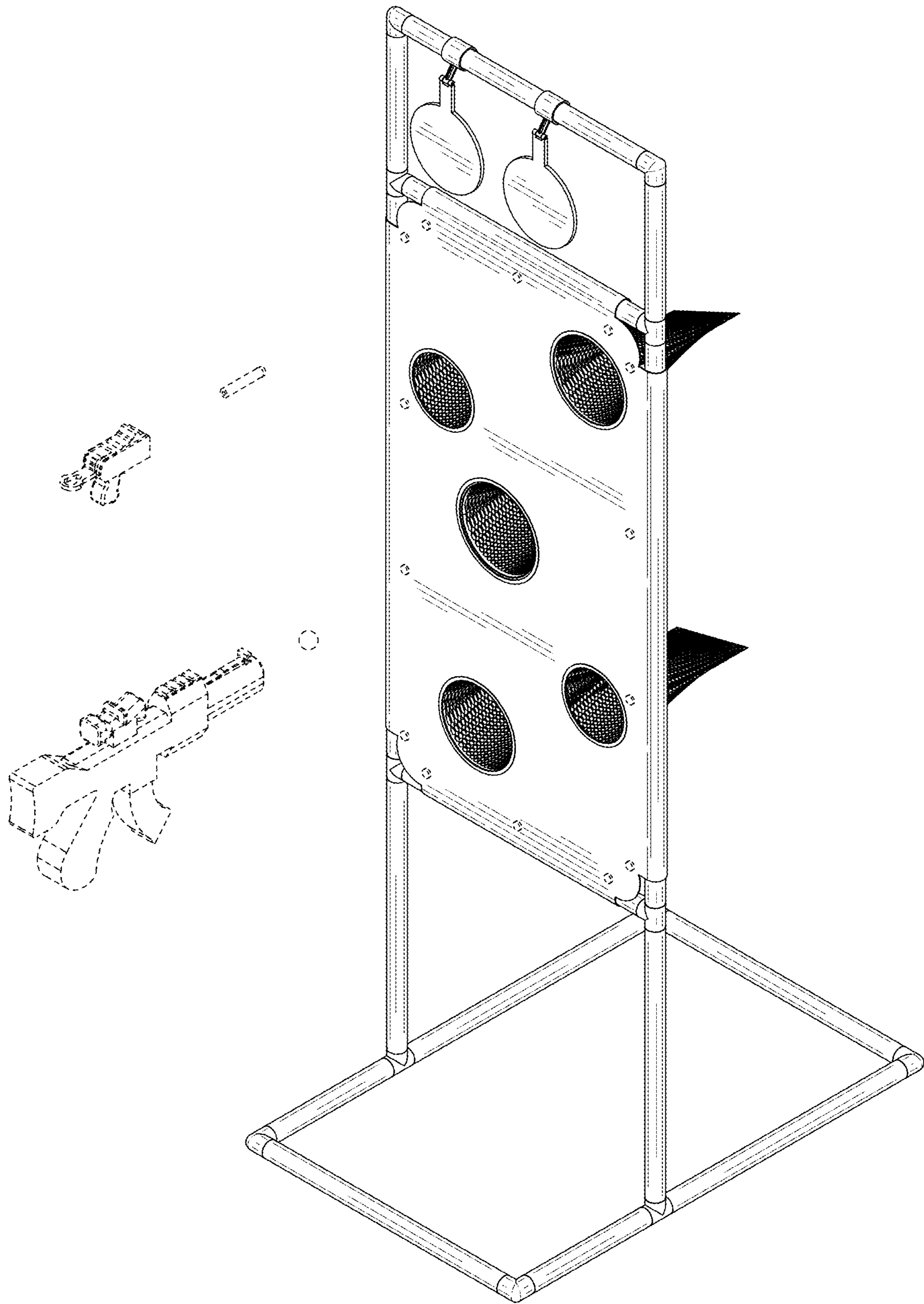


FIG. 13