



US00D954891S

(12) **United States Design Patent** (10) **Patent No.:** **US D954,891 S**
Pobutkiewicz (45) **Date of Patent:** **** Jun. 14, 2022**

(54) **ADJUSTABLE BAG RIDER WITH ANGLED BOLT**

(71) Applicant: **David Pobutkiewicz**, Warwick, NY (US)

(72) Inventor: **David Pobutkiewicz**, Warwick, NY (US)

(**) Term: **15 Years**

(21) Appl. No.: **29/734,784**

(22) Filed: **May 15, 2020**

(51) **LOC (13) Cl.** **22-01**

(52) **U.S. Cl.**
USPC **D22/108**

(58) **Field of Classification Search**
USPC D22/108; D21/572, 573; D8/349; D12/223
CPC F41C 27/00; F41C 23/20; F41C 27/22; F41C 23/14; F41C 23/06
See application file for complete search history.

(56) **References Cited**

U.S. PATENT DOCUMENTS

2,956,343	A *	10/1960	Shaffer	F41C 23/14
					33/506
D296,545	S *	7/1988	Sachs	D13/149
D312,567	S *	12/1990	Gilman	D8/394
5,235,764	A *	8/1993	Perazzi	F41C 23/14
					42/1.01
D657,840	S *	4/2012	Prieto	D22/108
D704,294	S *	5/2014	Jarboe	D22/108
D733,247	S *	6/2015	Lewis	D22/108
D774,619	S *	12/2016	Mather	D22/108
D785,122	S *	4/2017	Mather	D22/104
D892,252	S *	8/2020	Storch	D22/108
D894,318	S *	8/2020	Pobutkiewicz	D22/108
D894,319	S *	8/2020	Pobutkiewicz	D22/108
D907,159	S *	1/2021	Pobutkiewicz	D22/108
D916,224	S *	4/2021	Laney	D22/103
D920,773	S *	6/2021	McClung	D8/394

(Continued)

FOREIGN PATENT DOCUMENTS

CA	3014873	A1 *	8/2017	F41C 23/14
DE	29803775	U1 *	6/1998	F41C 23/14

(Continued)

OTHER PUBLICATIONS

Adjustable Bag Rider Install on MPA Chassis, Video upload date: Dec. 15, 2020, Video Retrieved on Nov. 11, 2021 (online), <<https://www.youtube.com/watch?v=yoNXtj3Hxvs&t=100s>>.*

(Continued)

Primary Examiner — Sheryl Lane

Assistant Examiner — Ieisha N Price

(74) *Attorney, Agent, or Firm* — Scott H. Kaliko, Esq;
Kaliko & Associates, LLC

(57) **CLAIM**

The ornamental design for an adjustable bag rider with angled bolt, as shown and described.

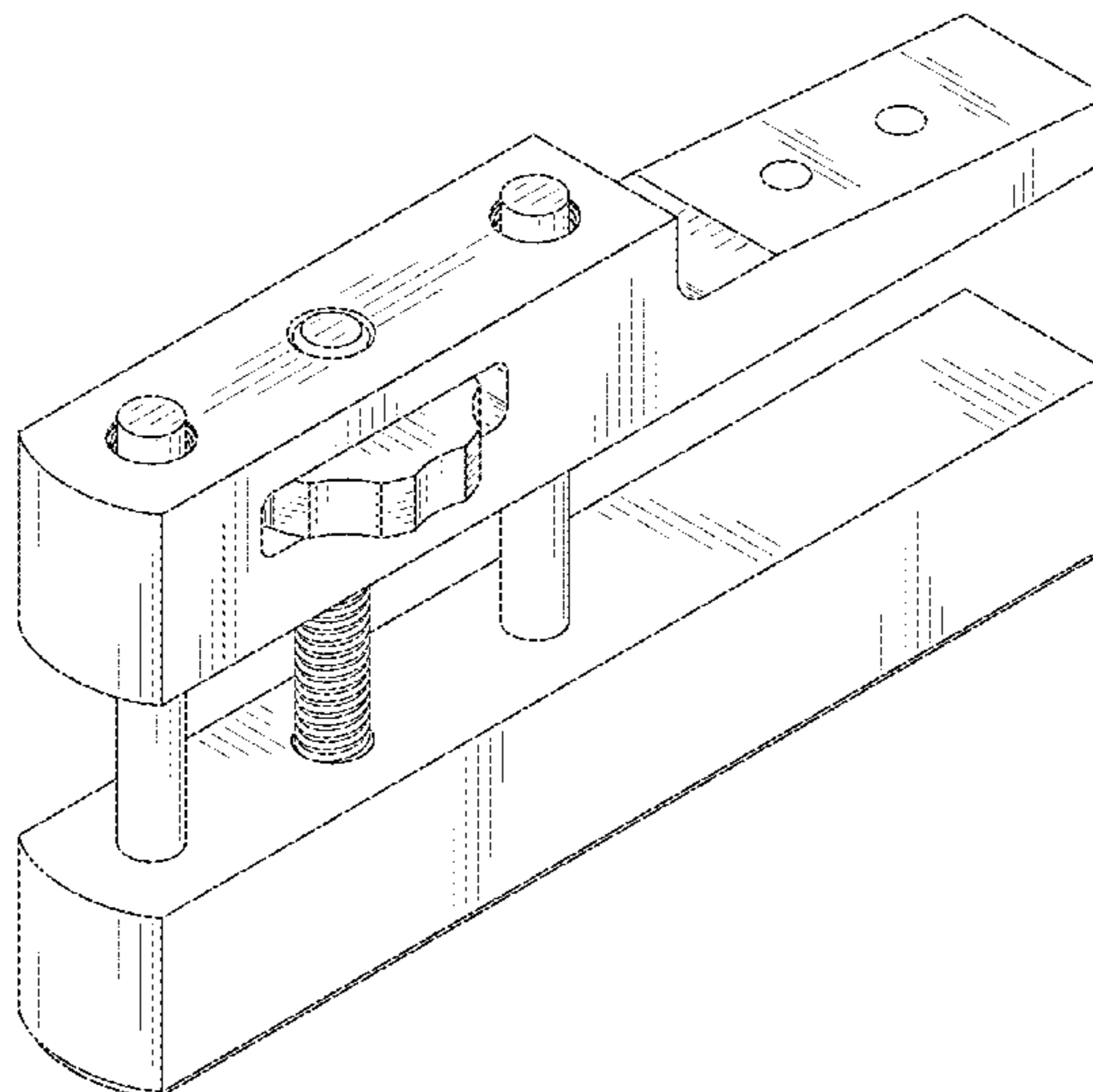
DESCRIPTION

FIG. 1 is a PERSPECTIVE view of a design for the adjustable bag rider with angled bolt;
FIG. 2 is a SIDE view thereof;
FIG. 3 is a SIDE view thereof,
FIG. 4 is a FRONT view of thereof;
FIG. 5 is a BACK view thereof;
FIG. 6 is a TOP view thereof; and,
FIG. 7 is a BOTTOM view thereof.

The two circular features located on the front, top portion of the angled bolt on adjustable bag rider are intended to be through holes and form a part of the claimed design.

The broken lines in the drawings illustrate portions of the angled bolt on adjustable bag rider and form no part of the claimed design.

1 Claim, 7 Drawing Sheets



(56)

References Cited

U.S. PATENT DOCUMENTS

2011/0138668 A1* 6/2011 Thomas F41C 23/06
42/1.06
2015/0233656 A1* 8/2015 Karagias F41A 3/14
42/16
2016/0187090 A1* 6/2016 Mather F41A 17/46
42/70.06
2016/0202016 A1* 7/2016 Mather F41C 23/14
42/73
2019/0145731 A1* 5/2019 Stewart F41C 27/00
42/90
2019/0249949 A1* 8/2019 Cahill F41C 27/00
2020/0149840 A1* 5/2020 Schoenborn F41C 23/14
2020/0208946 A1* 7/2020 Cahill F41G 11/001

FOREIGN PATENT DOCUMENTS

DE 102006059914 A1* 7/2007 F41C 23/14
DE 102007010192 A1* 9/2008 F41C 23/14
WO WO-2006041349 A1* 4/2006 F41C 27/00

OTHER PUBLICATIONS

Adjustable Bag Rider Install—Long Range Shooting Stability and Micro, Video upload date: Oct. 9, 2020, Video Retrieved on Nov. 11, 2021 (online), <<https://www.youtube.com/watch?v=PHyLCogRr18&t=1s>>.*

Adjustable Bag Rider (ABR) for Ruger Precision Rifle, Video upload date: Oct. 17, 2019, Video Retrieved on Nov. 11, 2021 (online), <<https://www.youtube.com/watch?v=-suKwXgAT1k>>.*

* cited by examiner

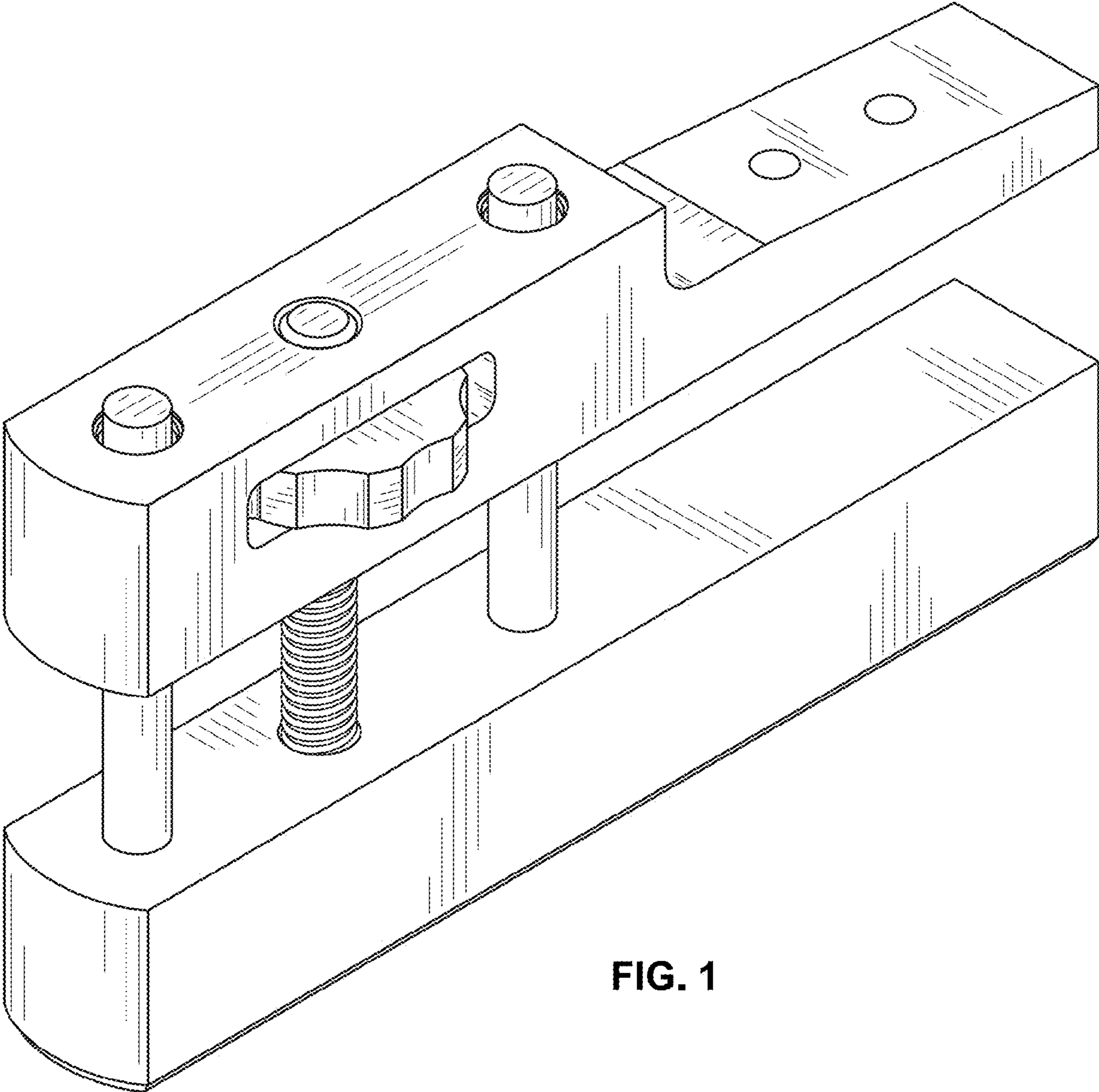


FIG. 1

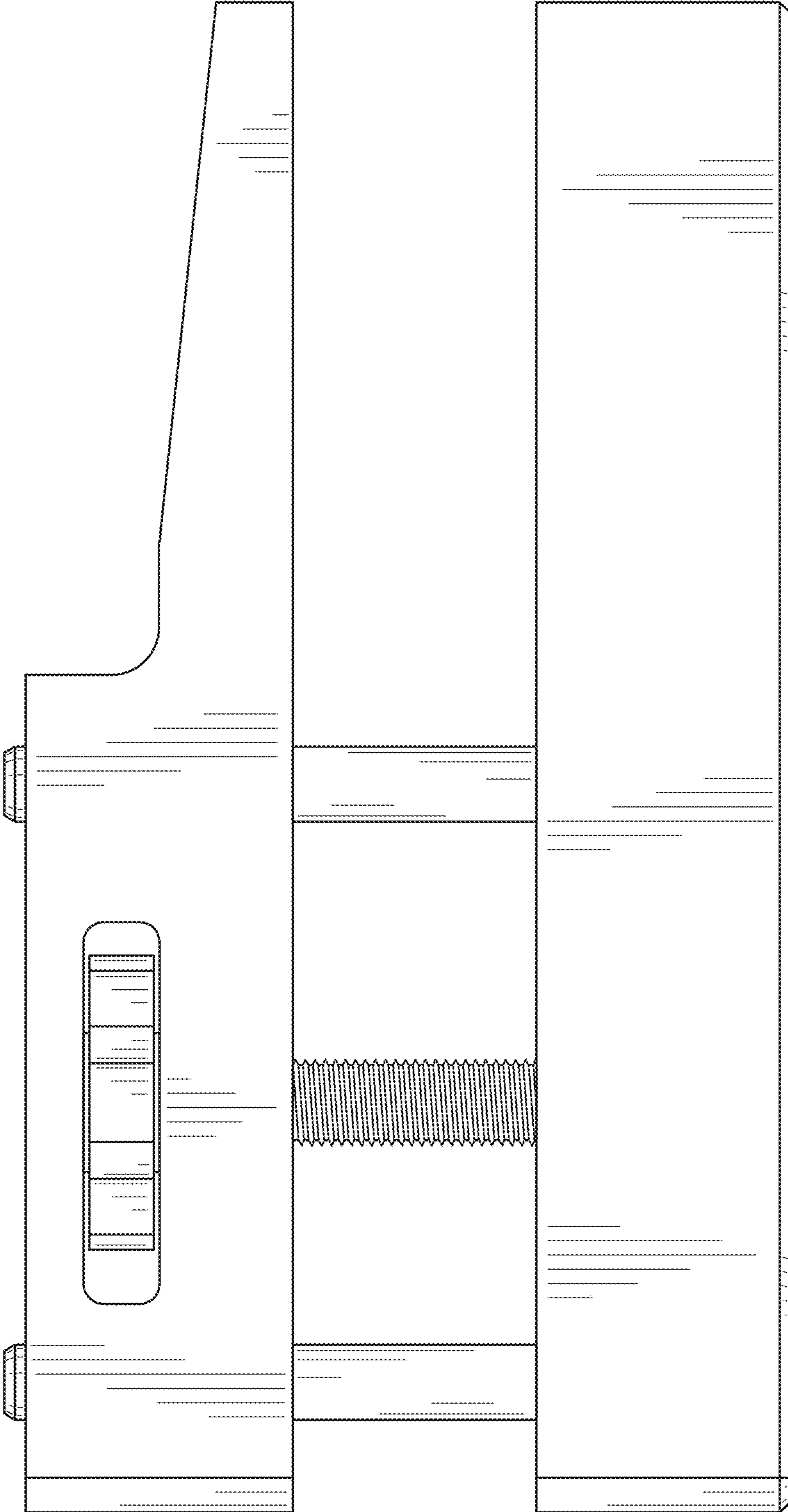


FIG. 2

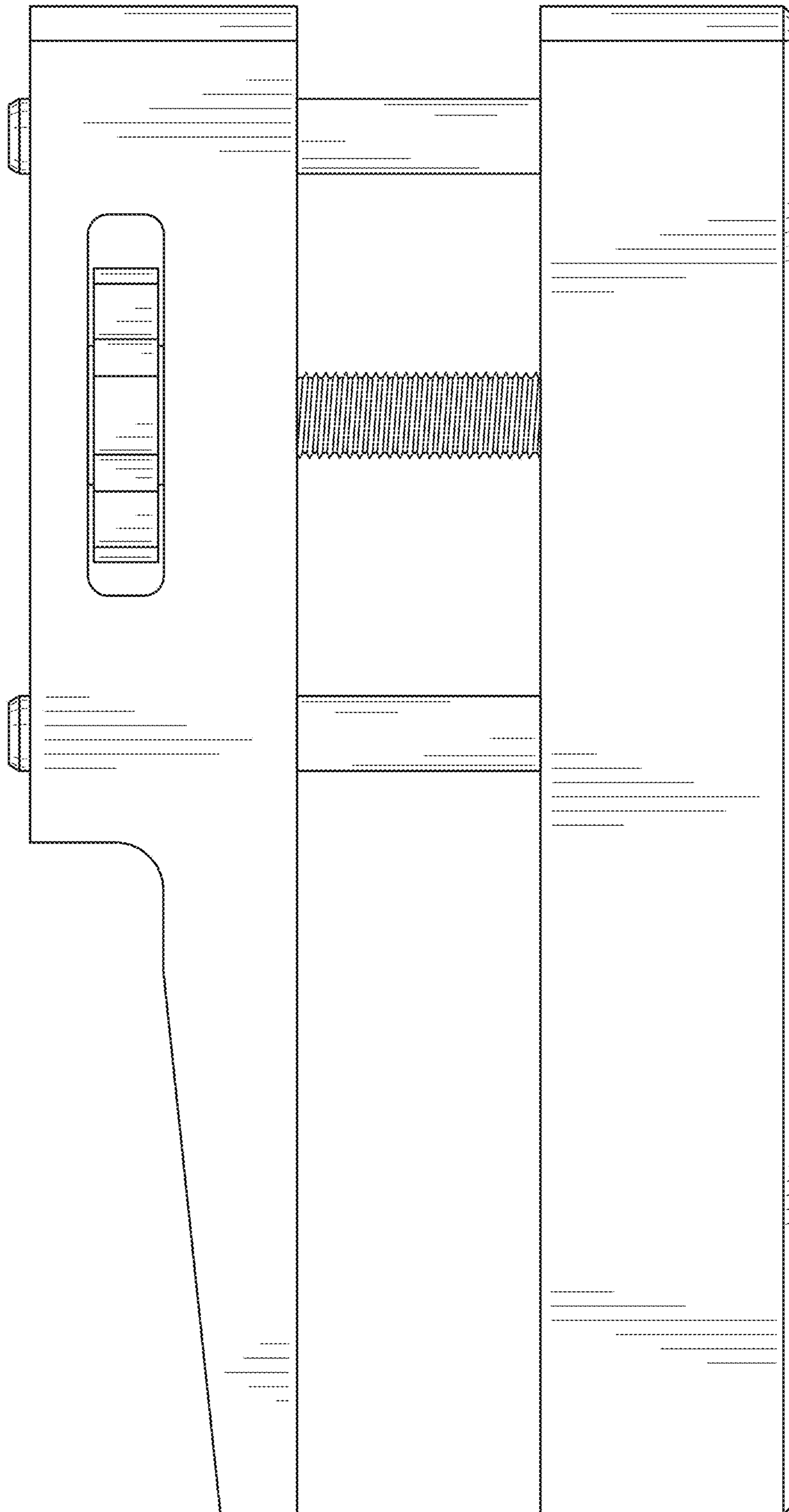


FIG. 3

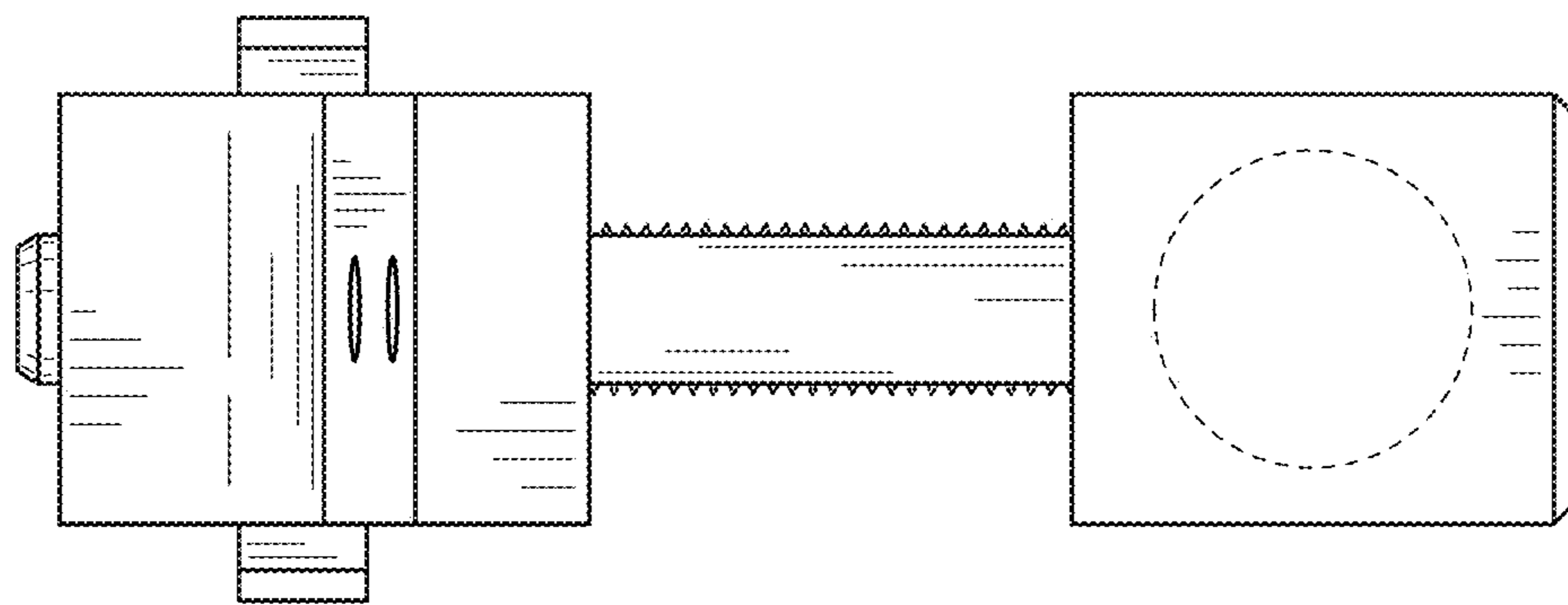


FIG. 4

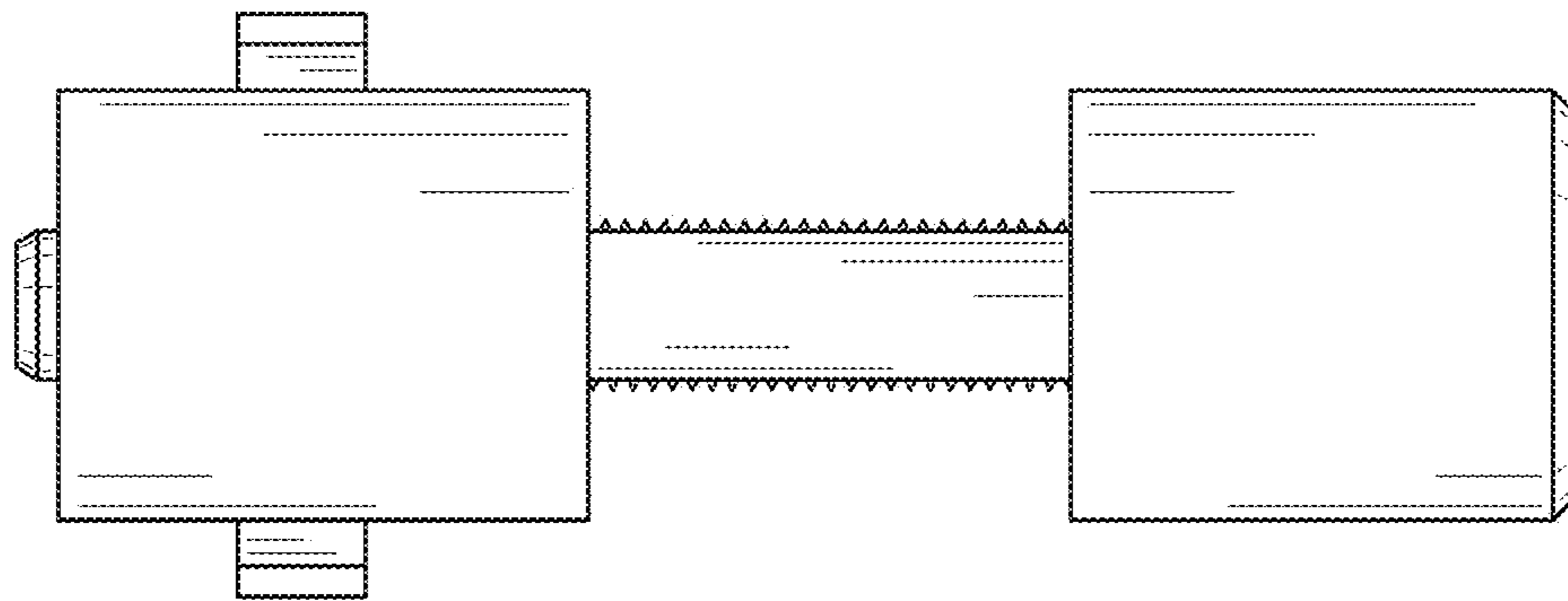


FIG. 5

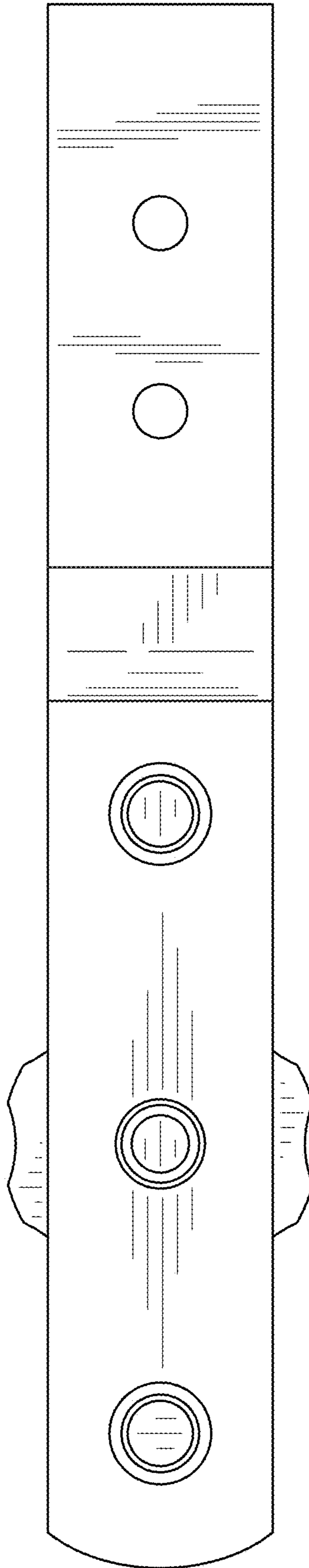


FIG. 6

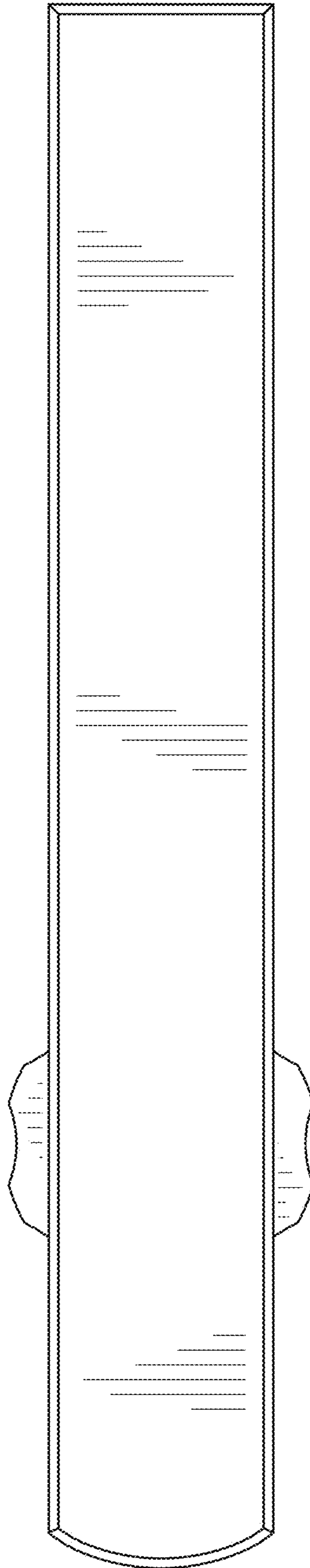


FIG. 7