



US00D954890S

(12) **United States Design Patent** (10) **Patent No.:** **US D954,890 S**
Zhang (45) **Date of Patent:** **** Jun. 14, 2022**

(54) **BOW AND ARROW**
(71) Applicant: **Shenzhen Ousilai Electronic Technology Co., Ltd., Shenzhen (CN)**
(72) Inventor: **Wenjian Zhang, Hengyang (CN)**
(73) Assignee: **Shenzhen Ousilai Electronic Technology Co., Ltd., Shenzhen (CN)**
(**) Term: **15 Years**
(21) Appl. No.: **29/797,101**
(22) Filed: **Jun. 29, 2021**
(51) **LOC (13) Cl.** **22-01**
(52) **U.S. Cl.**
USPC **D22/107**
(58) **Field of Classification Search**
USPC D22/100, 102, 103, 109, 113, 115, 116,
D22/107; D21/571
CPC F41B 11/00; F41B 11/14; F41B 11/642
See application file for complete search history.

(56) **References Cited**

U.S. PATENT DOCUMENTS

D337,796 S * 7/1993 Sutyak D21/571
5,224,464 A * 7/1993 Burnham F41B 11/642
124/16
5,830,029 A * 11/1998 Siegel F41B 5/0005
446/45
D503,958 S * 4/2005 Kronengold D22/107
D737,395 S * 8/2015 Rodich D22/107
D738,441 S * 9/2015 Cummings D21/571
D738,442 S * 9/2015 Cummings D21/571
D741,439 S 10/2015 Rodich
9,476,666 B1 * 10/2016 Larner F41B 5/00
D849,144 S * 5/2019 Xiao D21/328
10,928,154 B1 * 2/2021 Kam F41B 11/646
D948,633 S * 4/2022 Kam D21/570

2011/0186024 A1* 8/2011 Wang F41B 5/14
124/24.1
2013/0263838 A1* 10/2013 Cummings F41B 5/0094
124/17
2014/0000577 A1* 1/2014 Cummings F41B 3/00
124/20.1

OTHER PUBLICATIONS

Amazon website, New upgraded huge bow and arrow for kids, Publication date unknown, [site visited Apr. 20, 2022], Available on the Internet URL www.amazon.com/dp/B09PMQPNY3 (Year: 2022).
Hearthsong website, Lizardite Faux Bow 4.0 bow and arrow, Publication date unknown, [site visited Apr. 20, 2022], Available on the Internet URL <https://www.hearthsong.com/p/733563> (Year: 2022).*

* cited by examiner

Primary Examiner — S. Bryan Reinholdt, Jr.

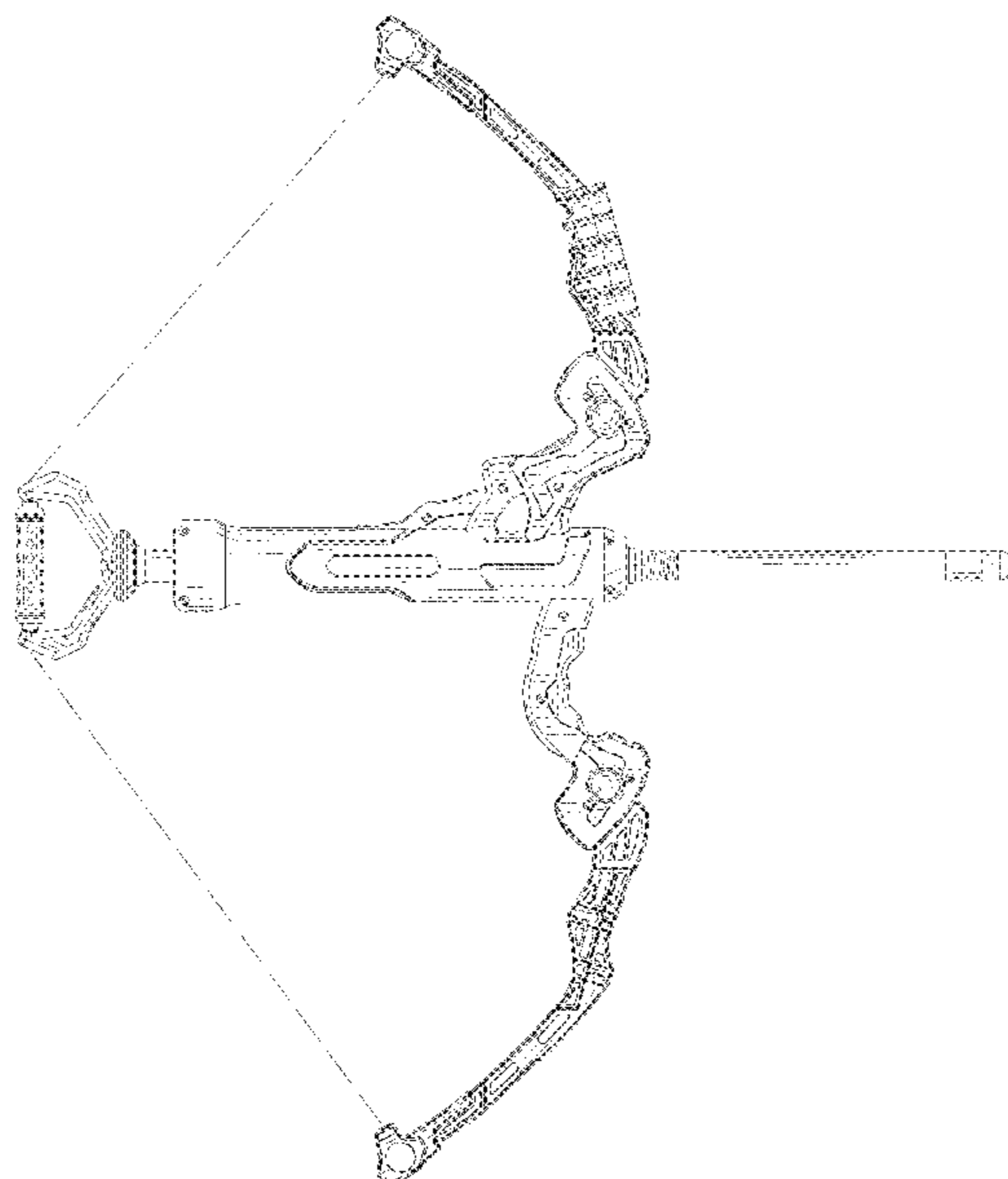
(57) **CLAIM**

The ornamental design for a bow and arrow, as shown and described.

DESCRIPTION

FIG. 1 is a perspective view of a bow and arrow showing my new design;
FIG. 2 is an enlarged view of portion 2 circumscribed within FIG. 1;
FIG. 3 is an enlarged view of portion 3 circumscribed within FIG. 1;
FIG. 4 is an enlarged view of portion 4 circumscribed within FIG. 1;
FIG. 5 is a front view of the bow and arrow of FIG. 1;
FIG. 6 is a rear view thereof;
FIG. 7 is a left side view thereof;
FIG. 8 is a right side view thereof;
FIG. 9 is a top plan view thereof; and,
FIG. 10 is a bottom plan view thereof.
The dot-dash broken lines depict the boundaries of the enlargements that form no part of the claimed design.

1 Claim, 10 Drawing Sheets



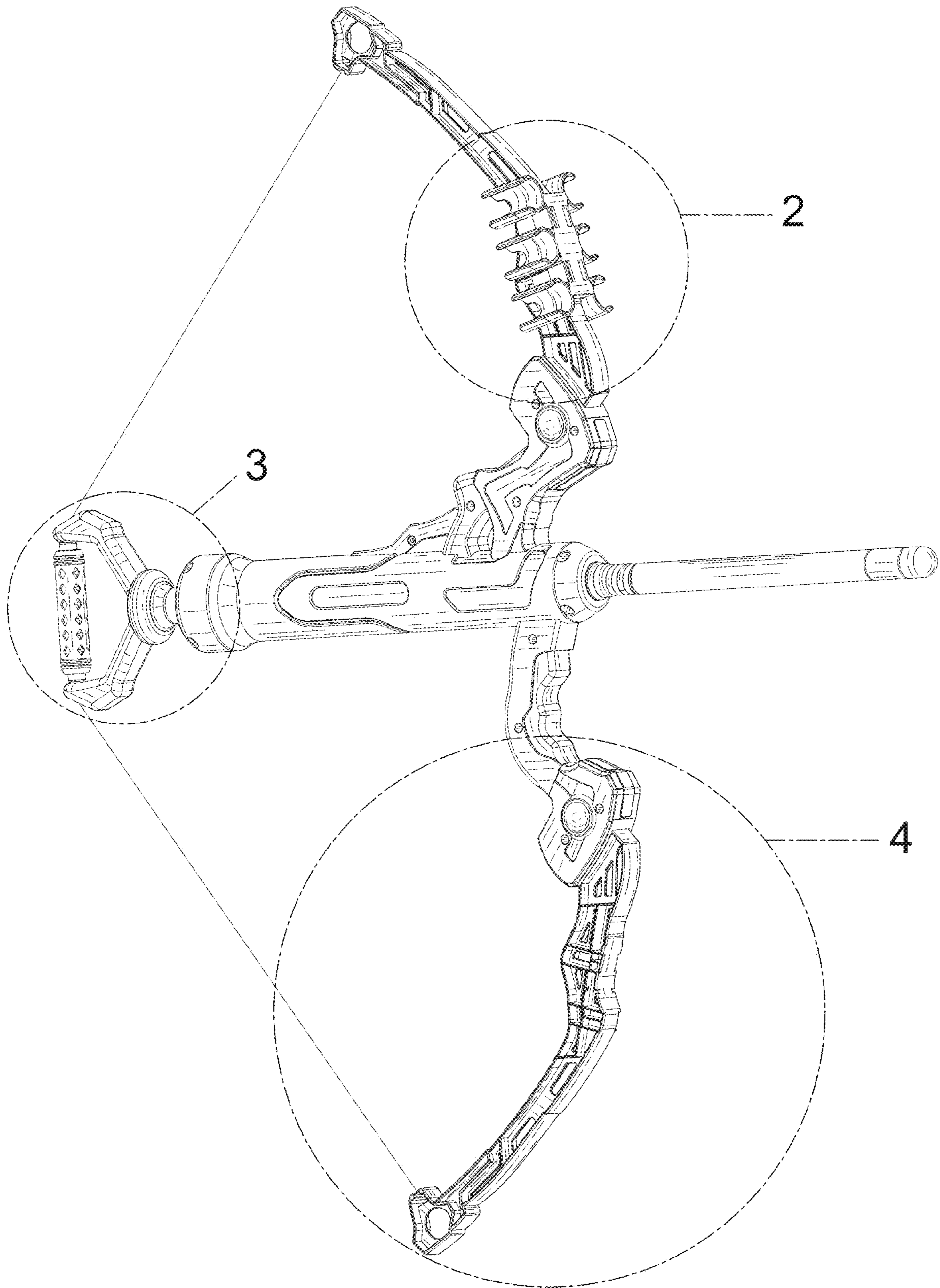


FIG.1

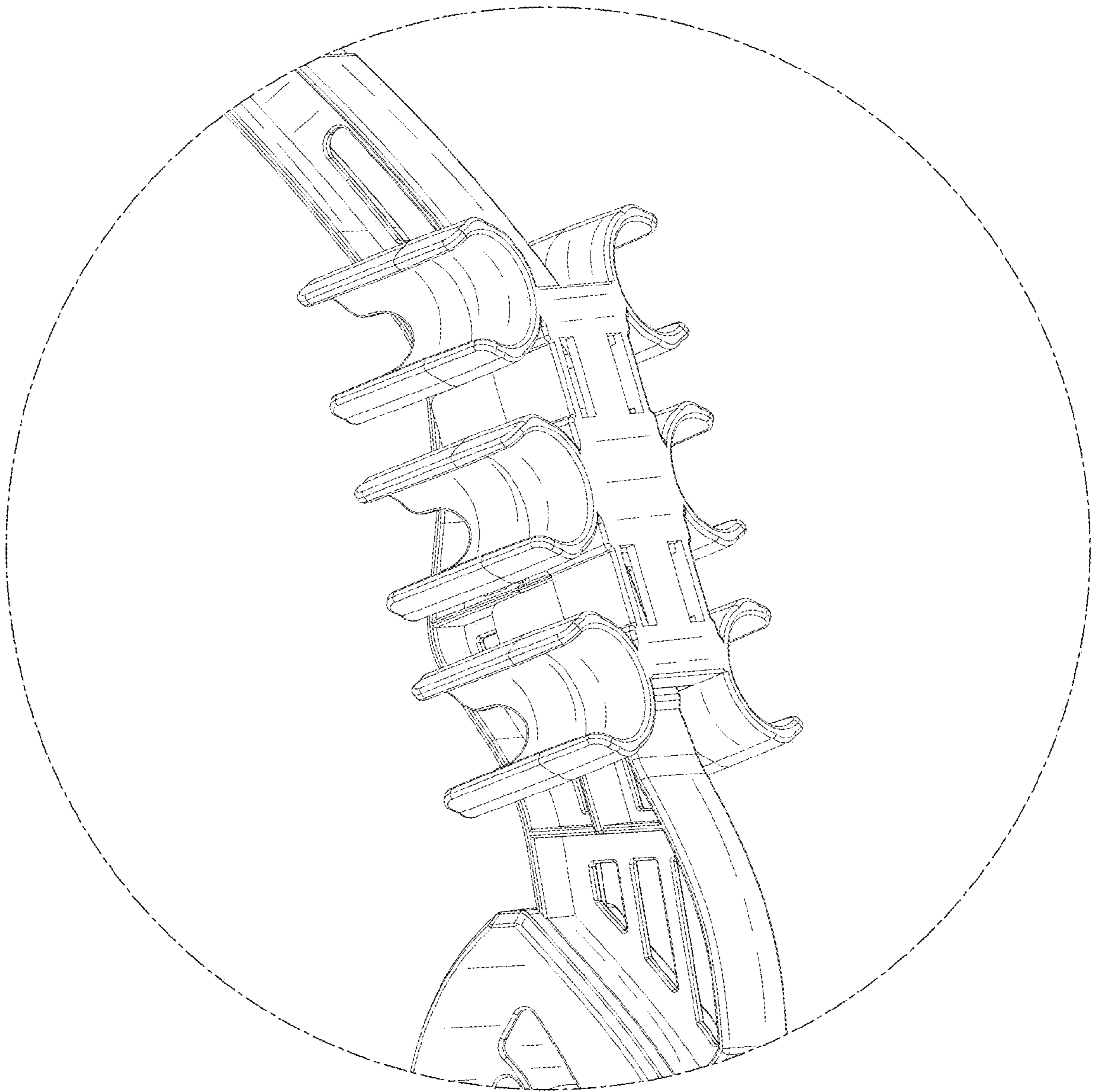


FIG.2

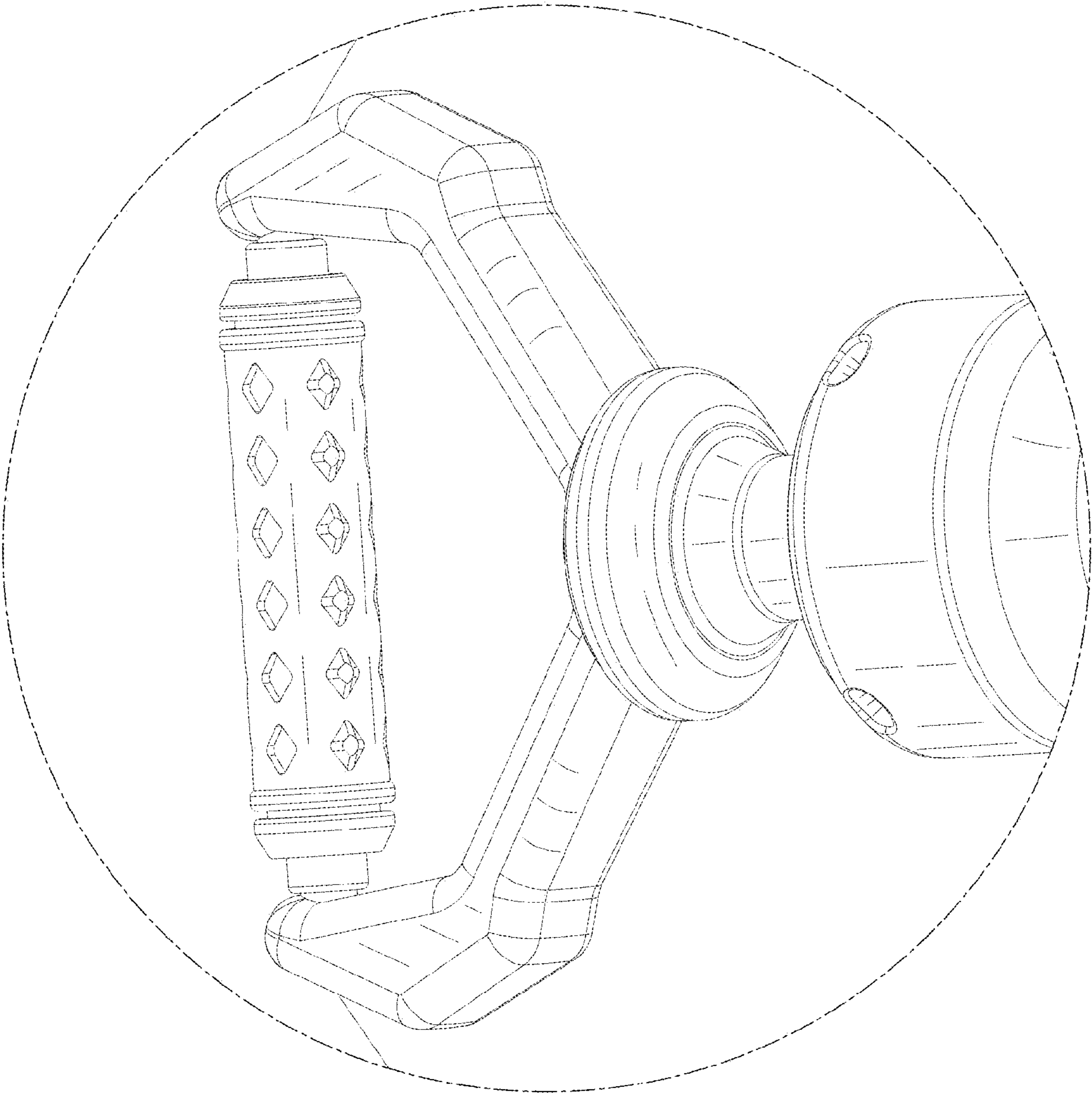


FIG.3

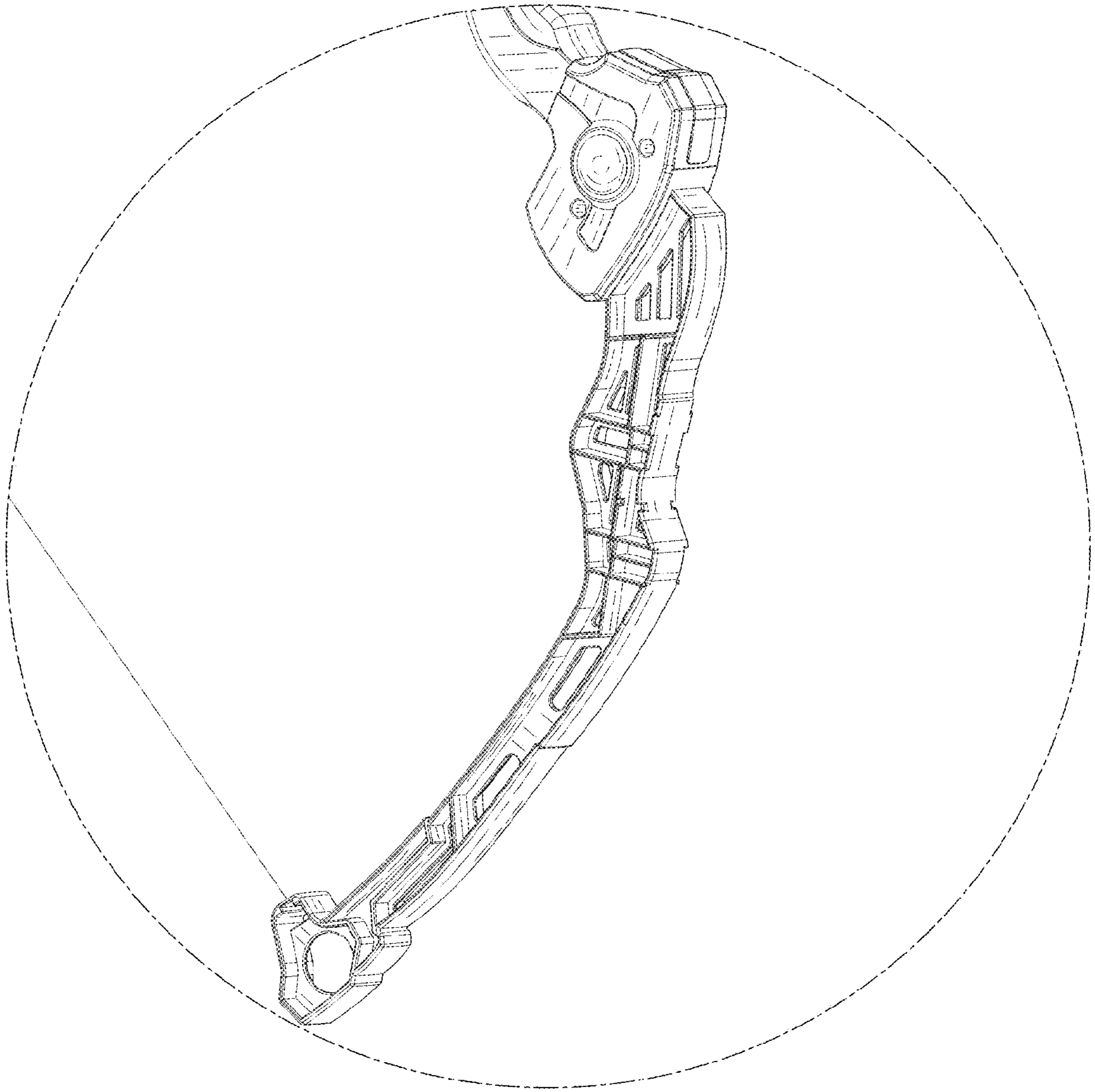


FIG.4

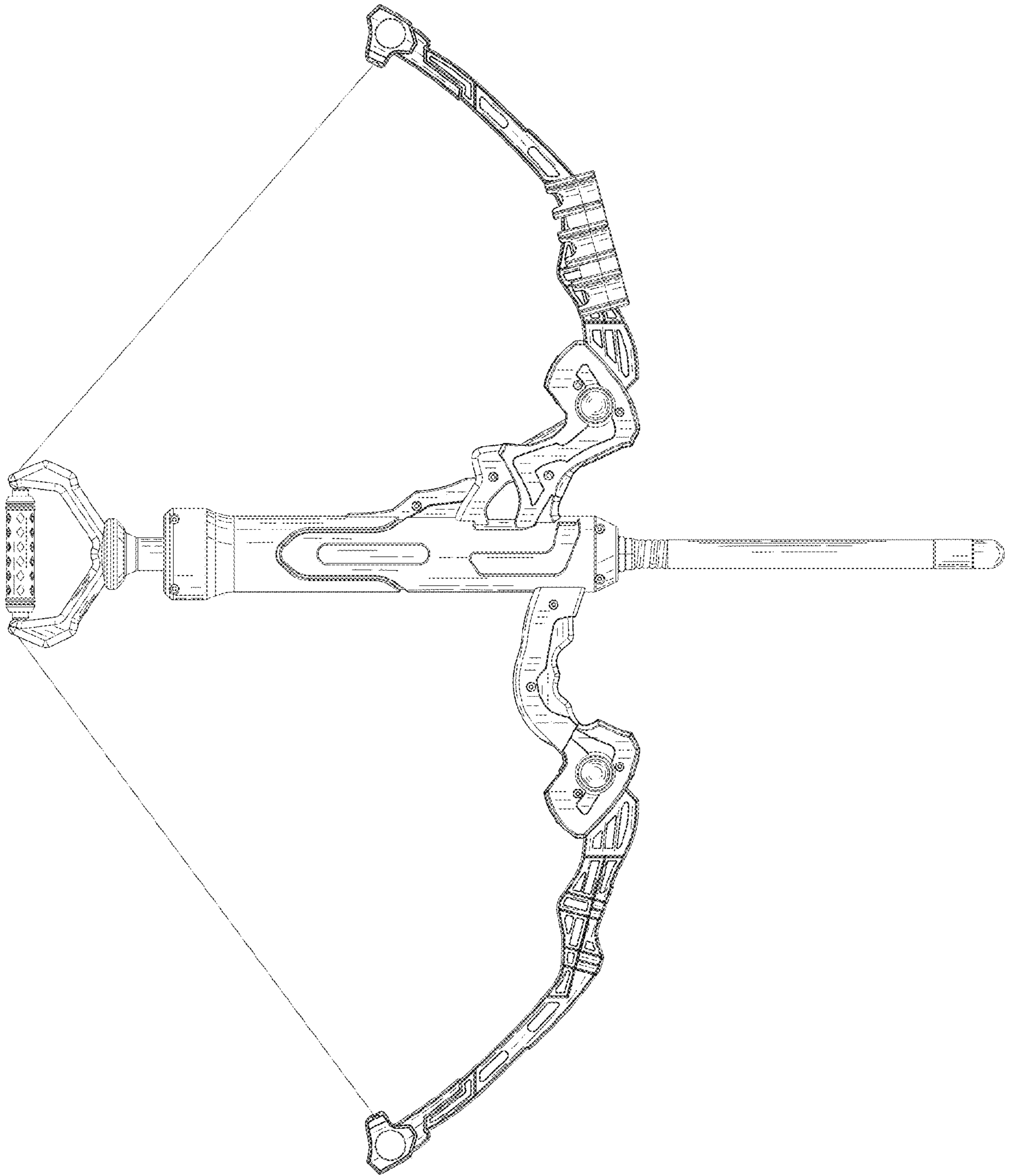


FIG.5

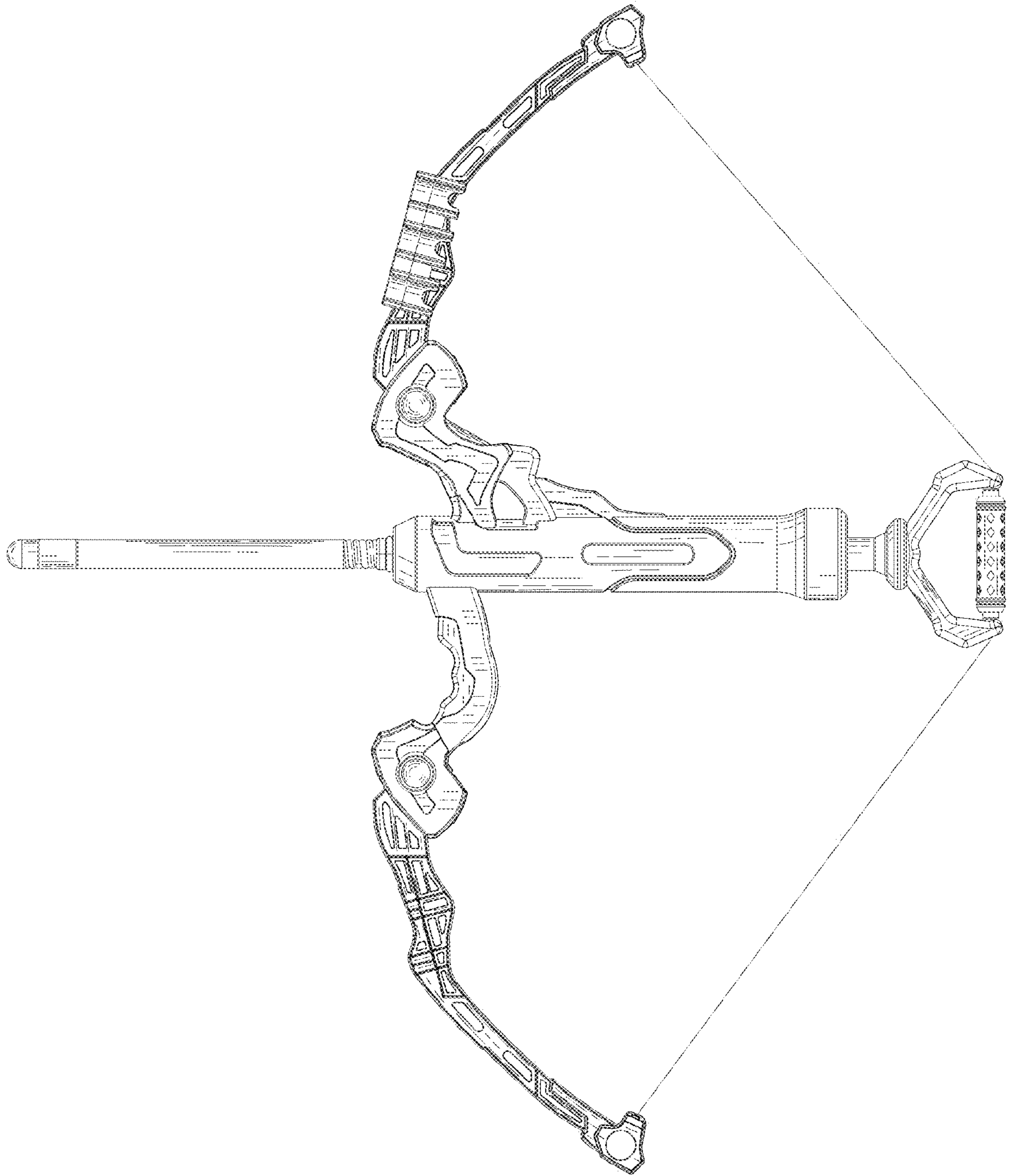


FIG.6

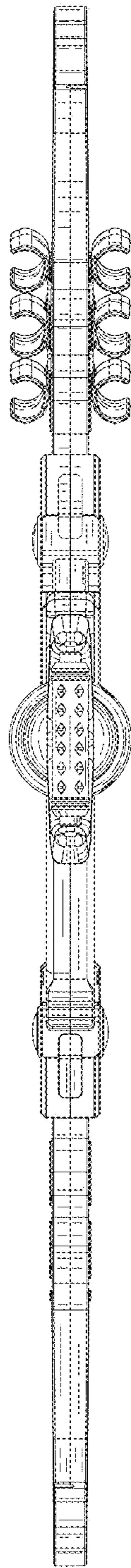


FIG.7

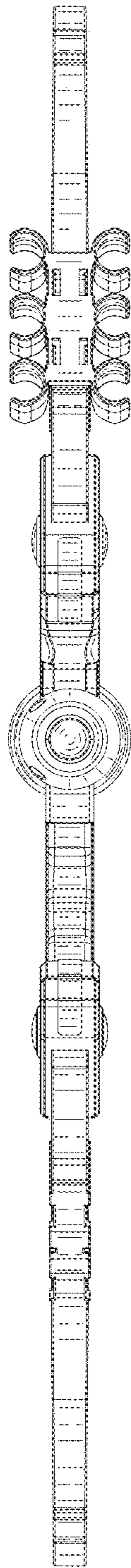


FIG.8

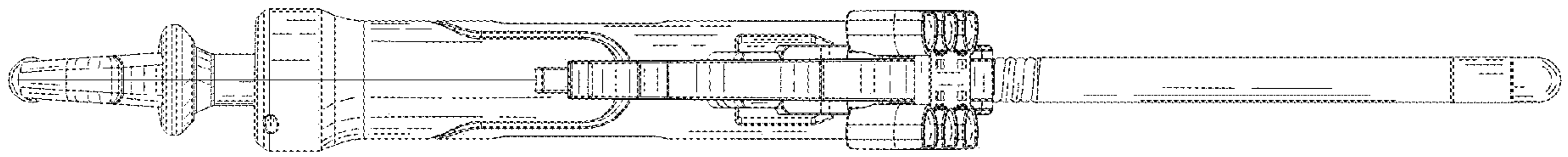


FIG.9

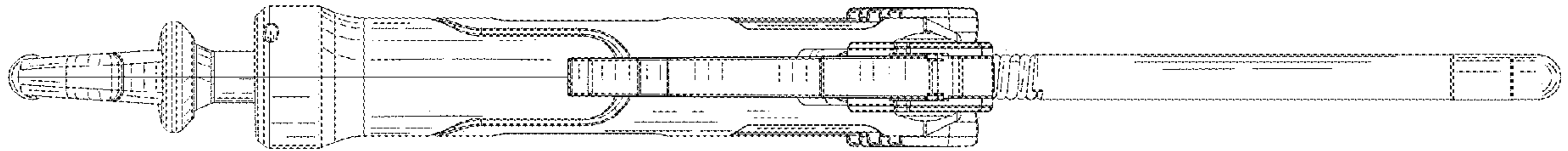


FIG.10