

US00D954888S

(12) **United States Design Patent**
Dougan et al.

(10) **Patent No.:** **US D954,888 S**
(45) **Date of Patent:** **** Jun. 14, 2022**

- (54) **WATER SLIDE**
- (71) Applicant: **SDS Asia Limited, BVI #1748971,**
Hong Kong (CN)
- (72) Inventors: **Kerry Dougan,** Diamond Point, NY
(US); **Matt Famigletti,** East Hartford,
CT (US)
- (73) Assignee: **SDS Asia Limited, BVI #1748971,**
Central Hong Kong (CN)
- (**) Term: **15 Years**
- (21) Appl. No.: **29/751,588**
- (22) Filed: **Sep. 22, 2020**
- (51) **LOC (13) Cl.** **21-03**
- (52) **U.S. Cl.**
USPC **D21/819**
- (58) **Field of Classification Search**
USPC D21/811, 814, 818-822
CPC A63G 21/00-22
See application file for complete search history.

- (56) **References Cited**
U.S. PATENT DOCUMENTS
- 2,982,547 A * 5/1961 Carrier A63G 31/007
472/117
- D260,276 S * 8/1981 Gehlbach D21/818
- 5,154,671 A * 10/1992 Smollar A63G 21/18
472/117
- 5,551,922 A * 9/1996 Katz A63C 19/00
472/117
- D382,619 S * 8/1997 Peterson D21/818

- 6,062,983 A * 5/2000 Butsook A63G 21/18
4/488
- 6,312,341 B1 * 11/2001 Healy A63G 21/18
472/117
- D540,413 S * 4/2007 McKee D21/818
- D730,470 S * 5/2015 Chen D21/819
- D749,180 S * 2/2016 Goldreyer D21/819
- 9,446,323 B2 * 9/2016 Goldreyer A63G 21/18
- 9,511,298 B2 * 12/2016 Sgromo A63G 31/12
- D867,509 S * 11/2019 Peterson D21/819
- D923,127 S * 6/2021 Peterson D21/819
- D934,371 S * 10/2021 Peterson D21/819
- D934,978 S * 11/2021 Peterson D21/819

* cited by examiner

Primary Examiner — Mitchell I. Siegel

(74) *Attorney, Agent, or Firm* — Suiter Swantz pc llo

(57) **CLAIM**

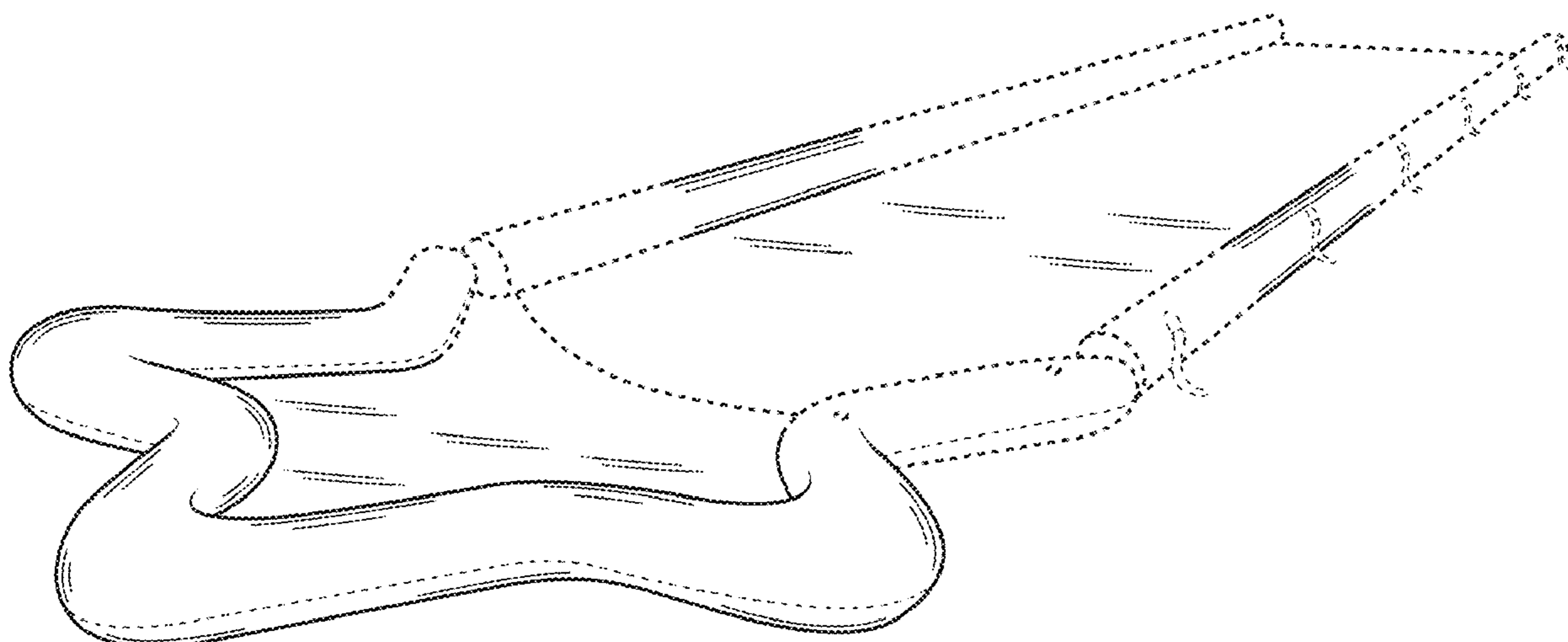
The ornamental design for a water slide, as shown and described.

DESCRIPTION

FIG. 1 is a perspective view showing our new design;
FIG. 2 is a left side view thereof;
FIG. 3 is a right side view thereof
FIG. 4 is a front elevation view thereof;
FIG. 5 is a rear elevation view thereof;
FIG. 6 is a top plan view thereof; and,
FIG. 7 is a bottom plan elevation view thereof.

The rear and middle portions of the water slide shown in broken lines indicate indeterminate length and form no part of the claimed design. The broken lines showing the connection system on the ends of the pontoons, anchor straps, the air valves form no part of the claimed design.

1 Claim, 7 Drawing Sheets



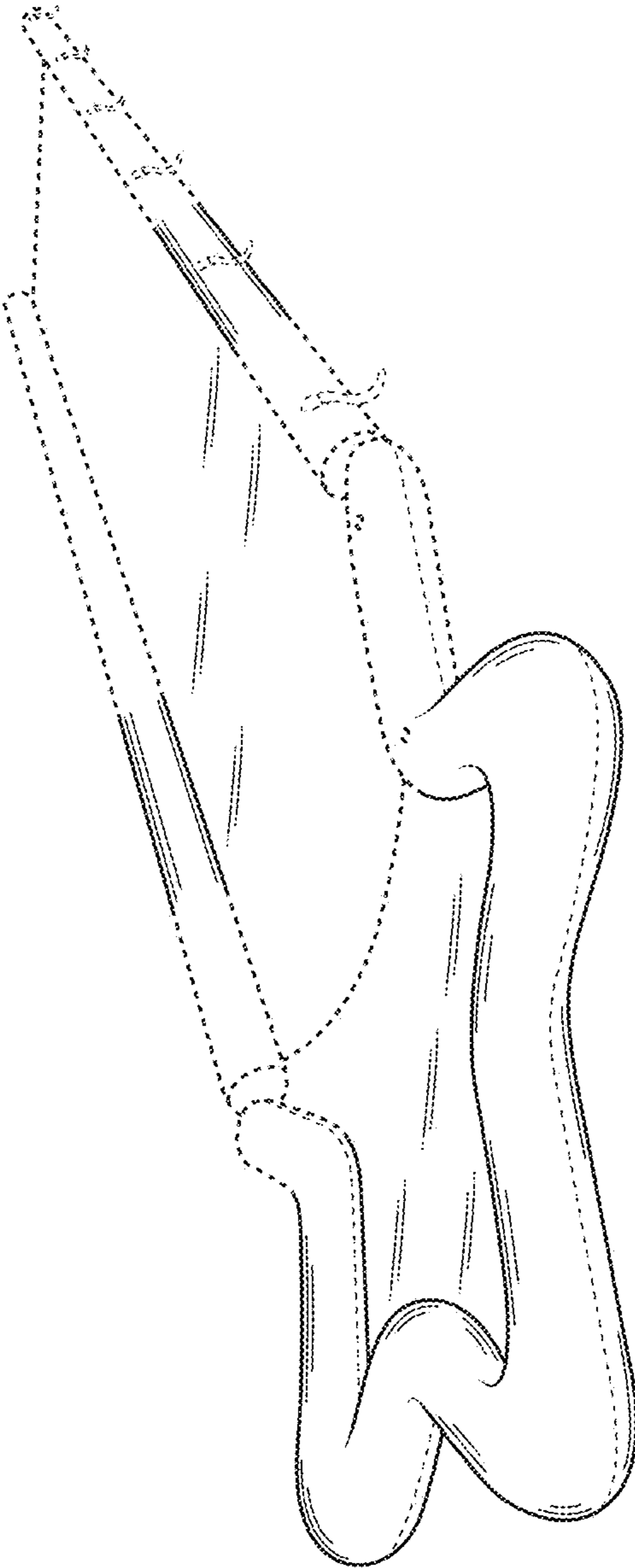


FIG. 1

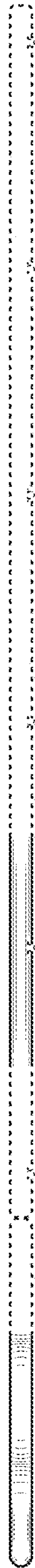


FIG.2

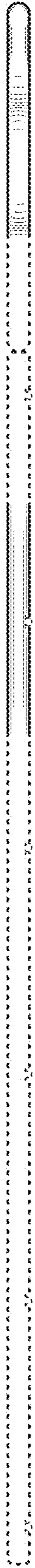


FIG. 3



FIG.4

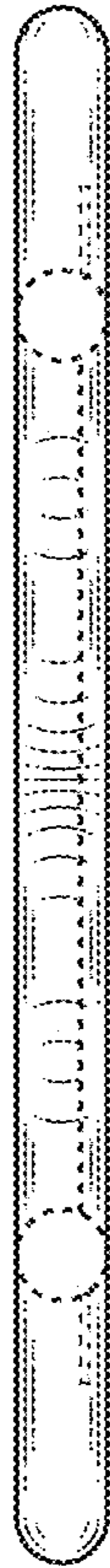


FIG. 5

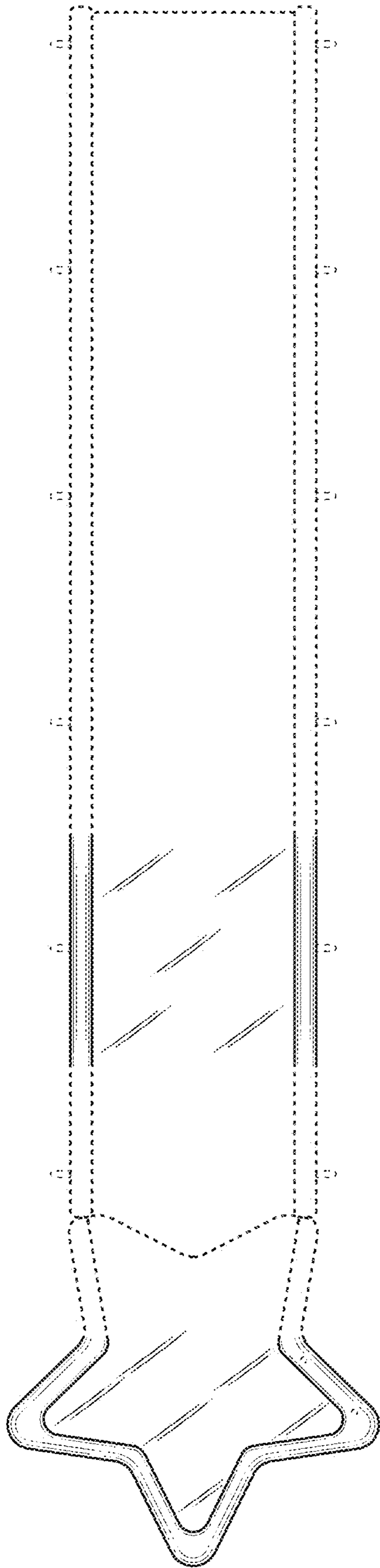


FIG.6

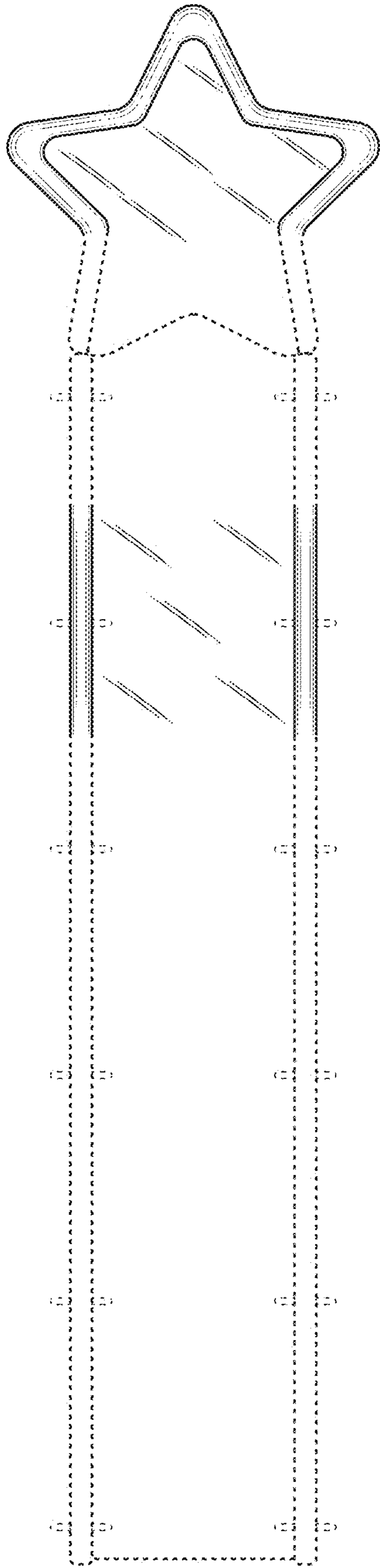


FIG. 7