



US00D954886S

(12) **United States Design Patent**  
**Wang**

(10) **Patent No.:** **US D954,886 S**  
(45) **Date of Patent:** **\*\* Jun. 14, 2022**

(54) **PERSONAL FLOATATION DEVICE**

(71) Applicant: **Min Wang**, Jiangxi (CN)

(72) Inventor: **Min Wang**, Jiangxi (CN)

(\*\*) Term: **15 Years**

(21) Appl. No.: **29/799,385**

(22) Filed: **Jul. 14, 2021**

(51) **LOC (13) Cl.** ..... **21-02**

(52) **U.S. Cl.**  
USPC ..... **D21/805**

(58) **Field of Classification Search**  
USPC ..... D21/804, 805; D29/100, 101.1, 101.4  
CPC ..... B63C 9/08; B63C 9/11; B63C 9/115  
See application file for complete search history.

(56) **References Cited**

**U.S. PATENT DOCUMENTS**

5,588,892 A *	12/1996	McMahon	.....	B63C 9/115
				441/118
D379,397 S *	5/1997	McMahon	.....	D21/805
D379,839 S *	6/1997	McMahon	.....	D21/805
6,582,266 B1 *	6/2003	Steger	.....	B63C 9/087
				441/106
D582,501 S	12/2008	Brack et al.		
D623,714 S *	9/2010	Steger	.....	B63C 9/135
				D21/805
D744,603 S	12/2015	Lin		

D800,242 S *	10/2017	de Grasse	.....	D21/805
D816,791 S *	5/2018	Hsu	.....	D21/805
D827,750 S *	9/2018	Huang	.....	D21/805
D847,930 S *	5/2019	May	.....	D21/805
D849,168 S *	5/2019	Peloquin	.....	D21/805

\* cited by examiner

*Primary Examiner* — Zenia I Bennett

(74) *Attorney, Agent, or Firm* — ScienBiziP, P.C.

(57) **CLAIM**

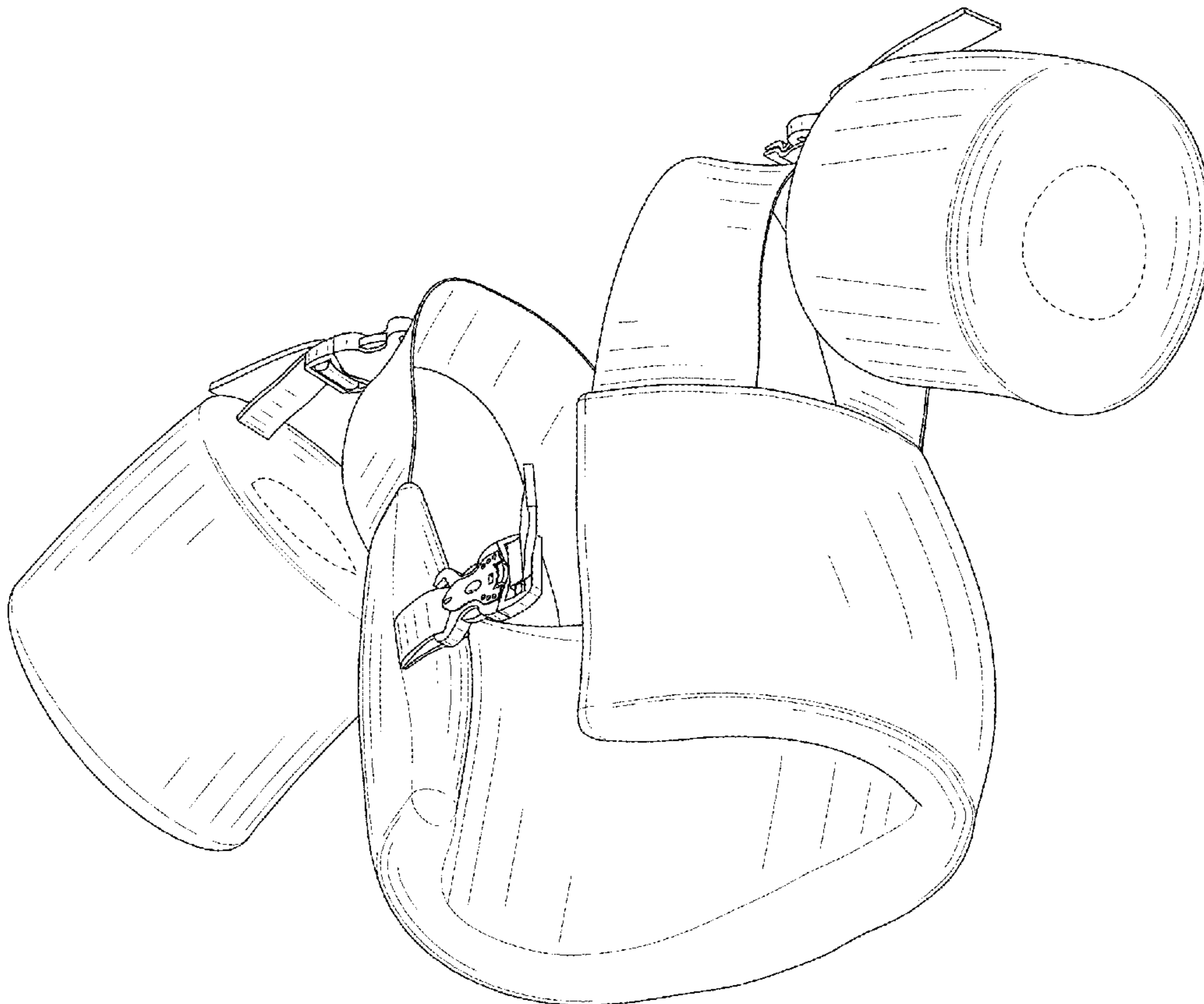
The ornamental design for a personal floatation device, as shown and described.

**DESCRIPTION**

FIG. 1 is a front, right, and top perspective view of a personal floatation device, showing my design.  
 FIG. 2 is a rear, left, and bottom perspective view thereof.  
 FIG. 3 is a front elevation view thereof.  
 FIG. 4 is a rear elevation view thereof.  
 FIG. 5 is a right side elevation view thereof.  
 FIG. 6 is a left elevation view thereof.  
 FIG. 7 is a top plan view thereof.  
 FIG. 8 is a bottom plan view thereof; and,  
 FIG. 9 is a partial enlarged view of an area labeled 9 in FIG. 1 comprising an clasp.

The broken lines shown in the drawings are included for the purpose of illustrating portions of the personal floatation device that form no part of the claimed design.

**1 Claim, 9 Drawing Sheets**



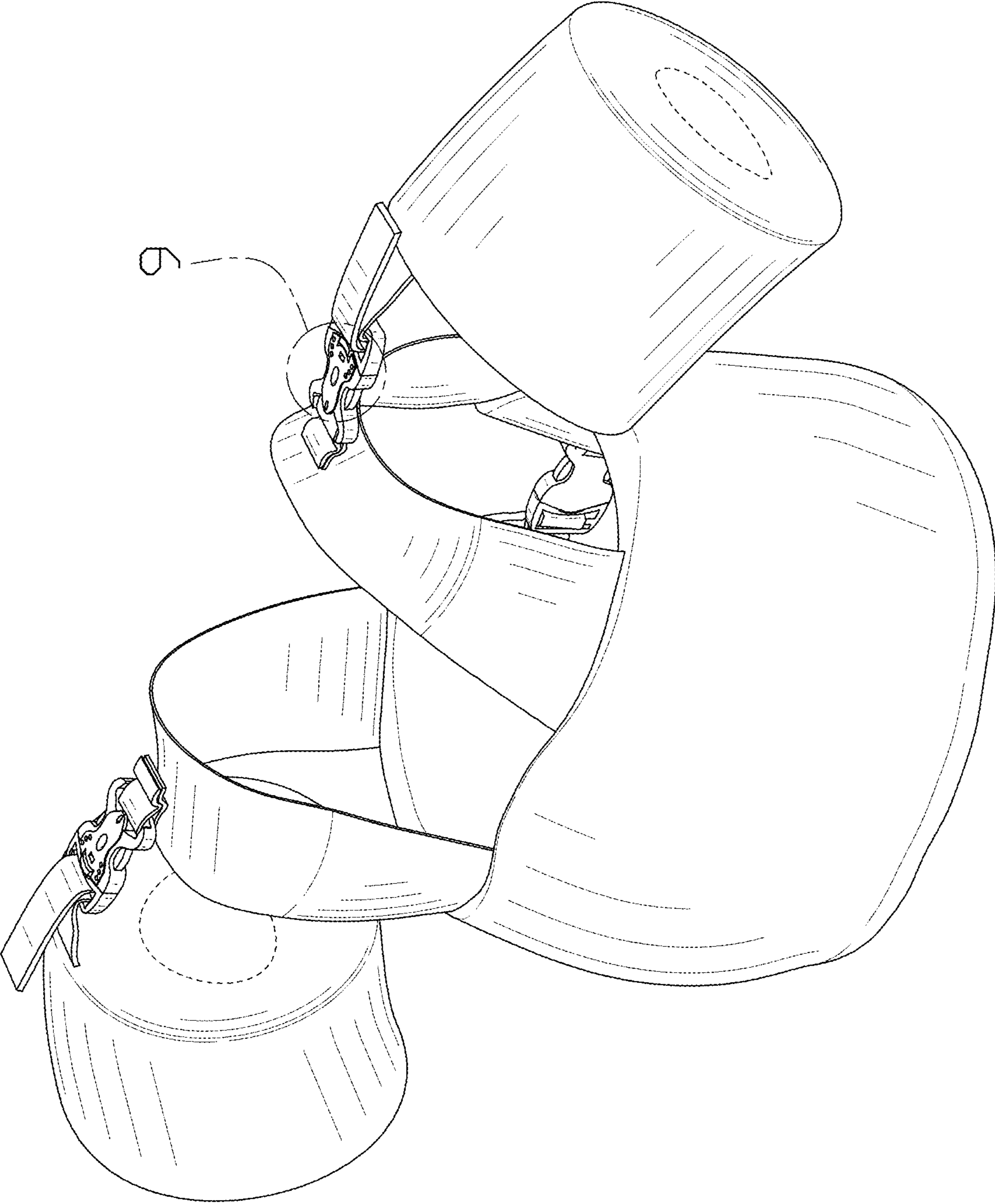


FIG. 1

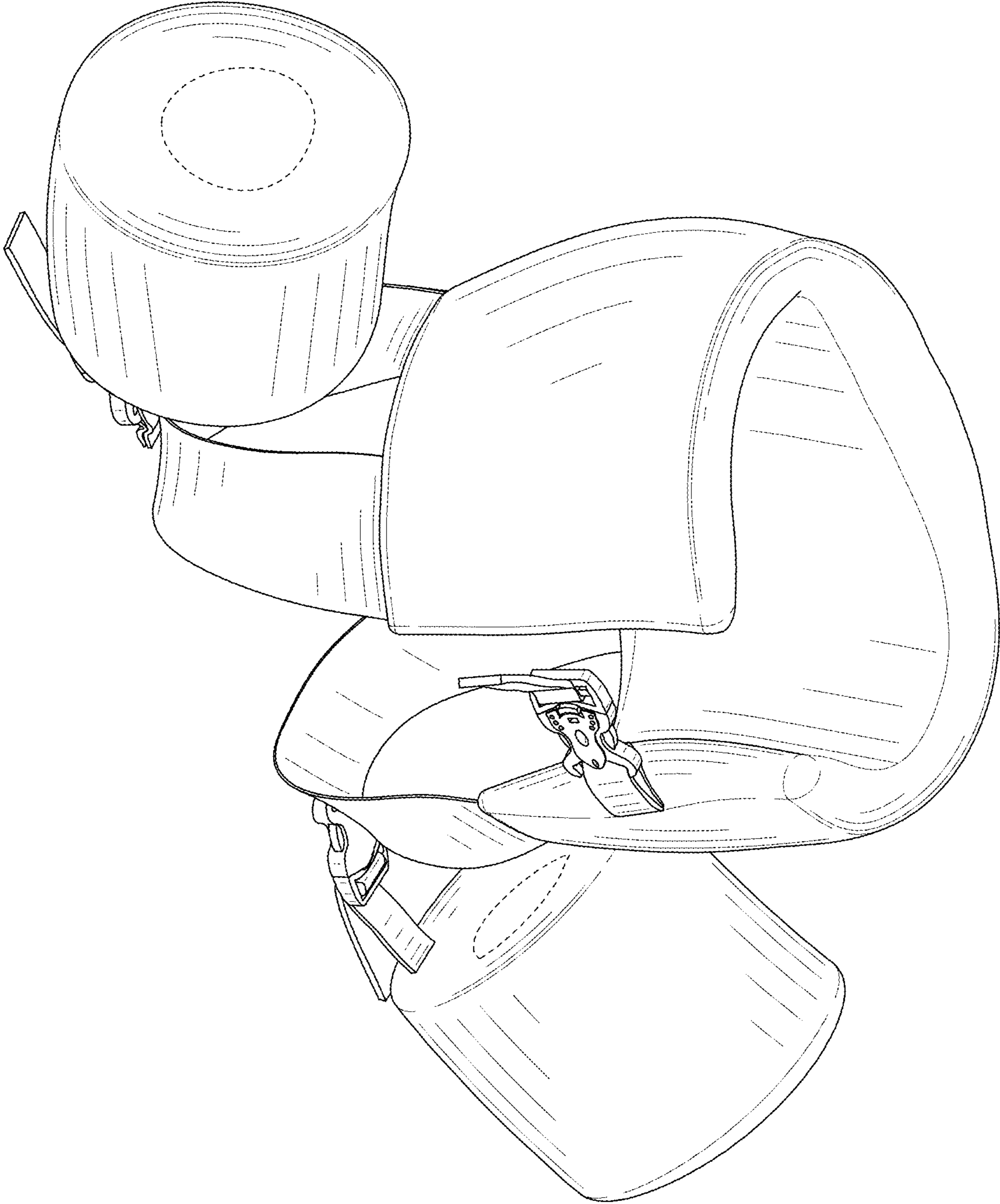


FIG. 2

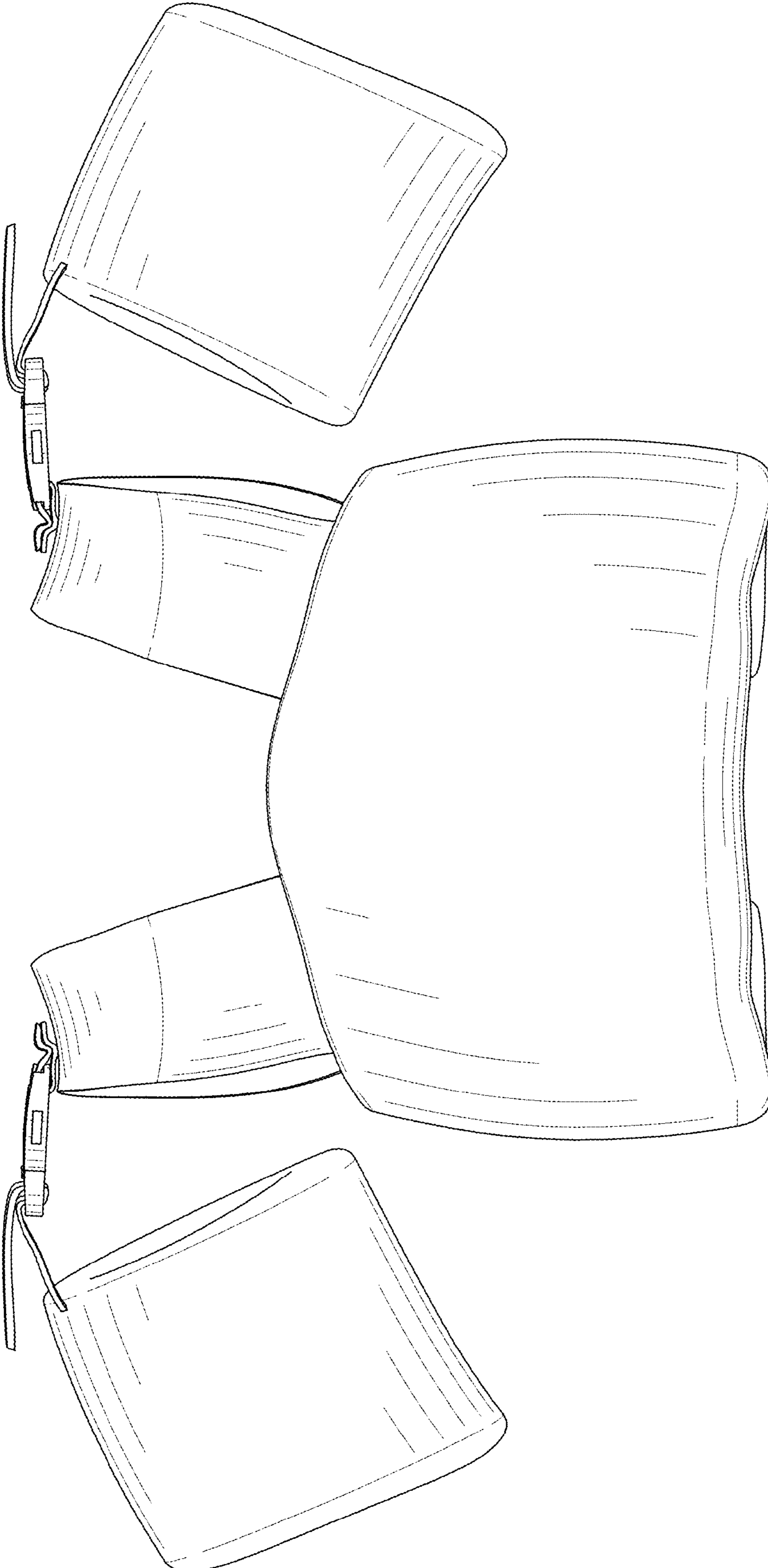


FIG. 3

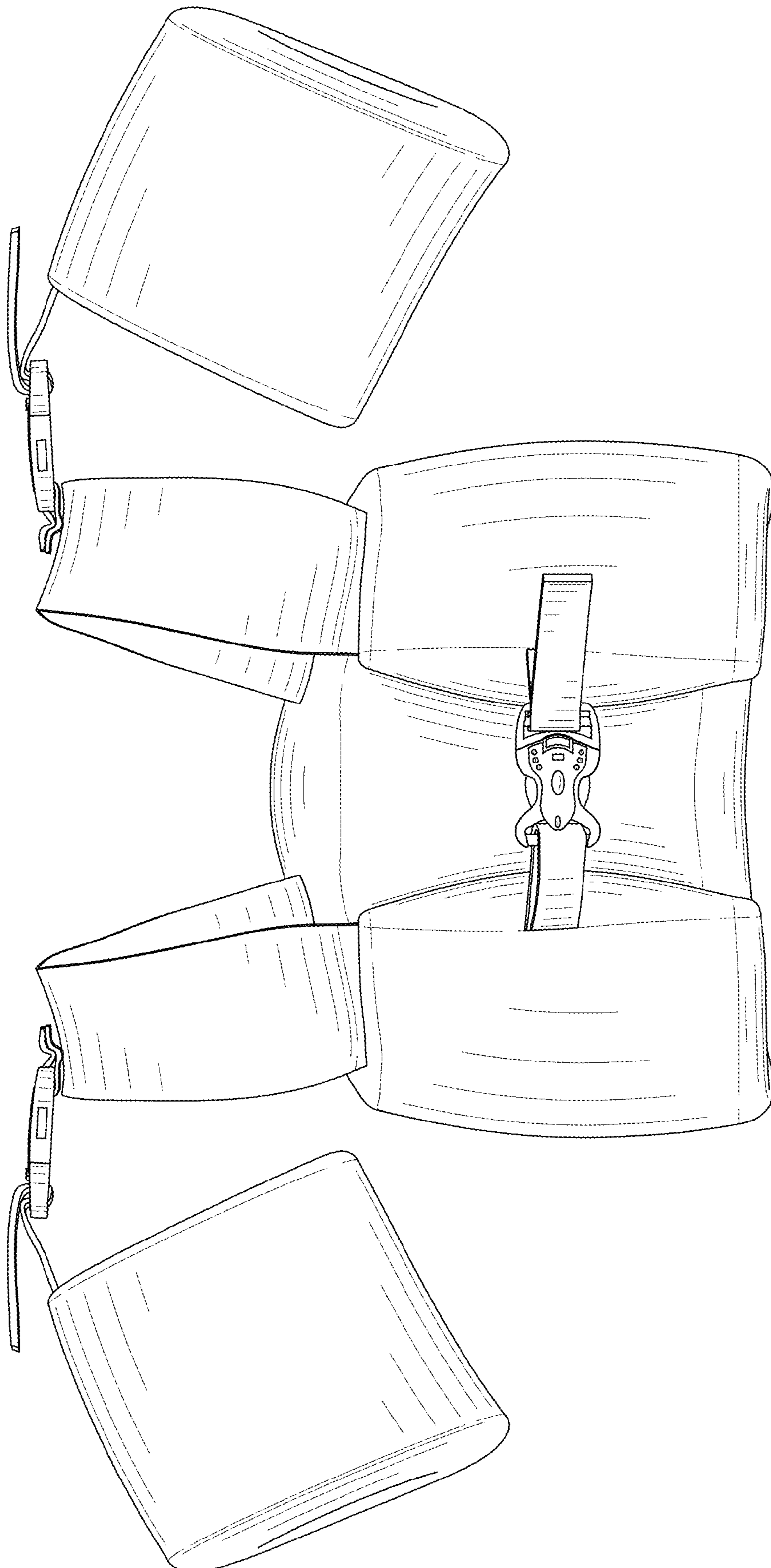


FIG. 4

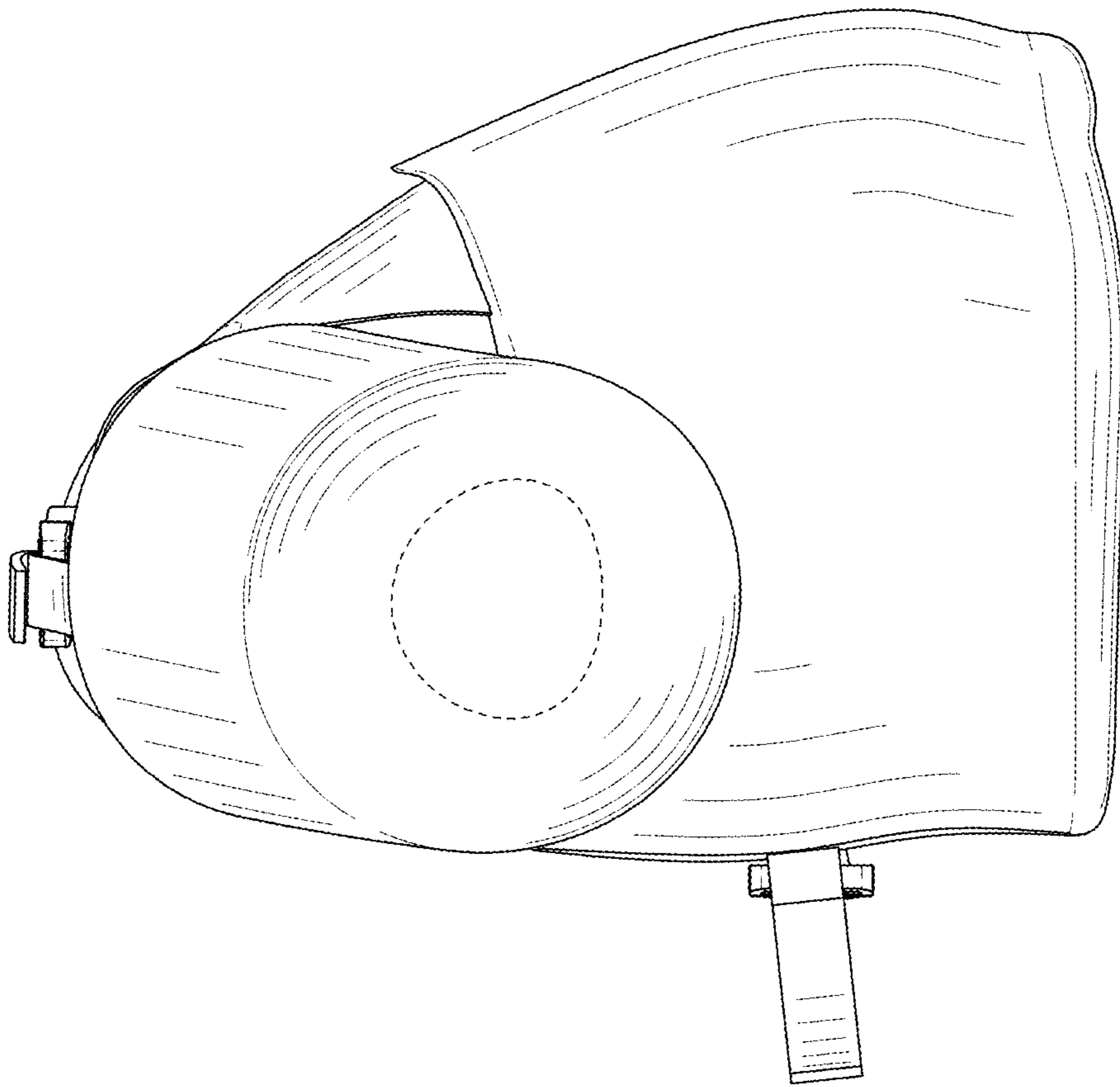


FIG. 5

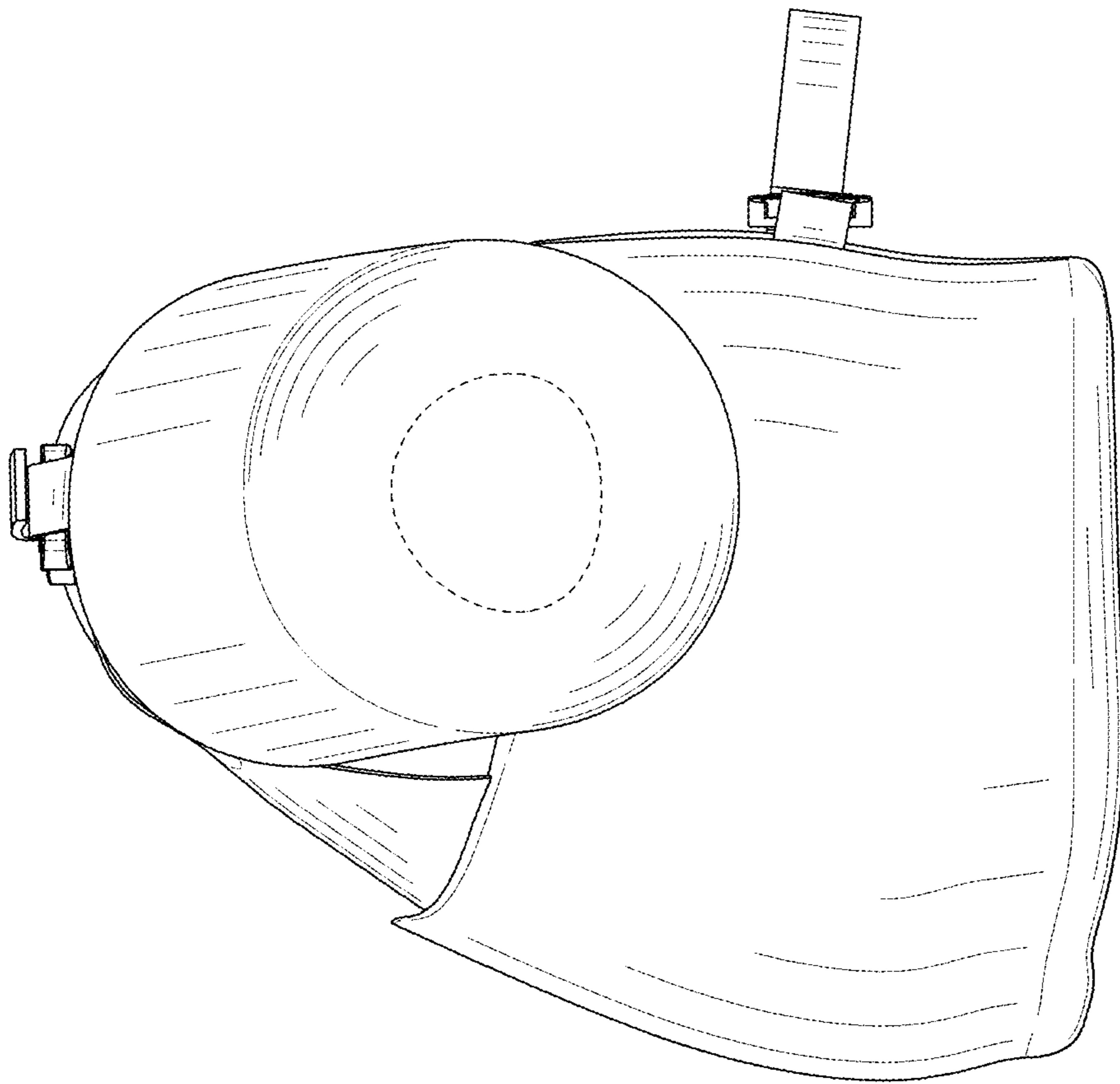


FIG. 6

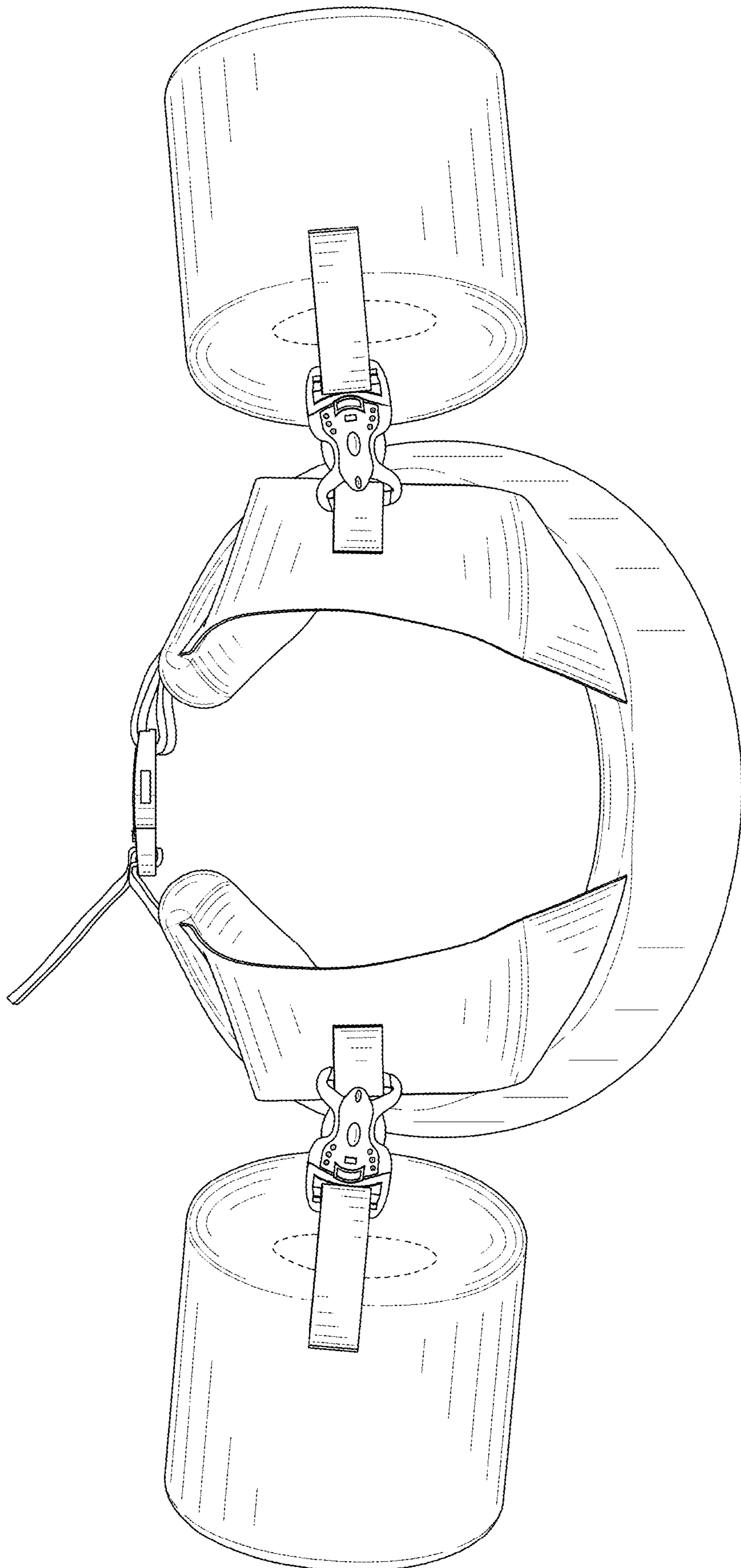


FIG. 7



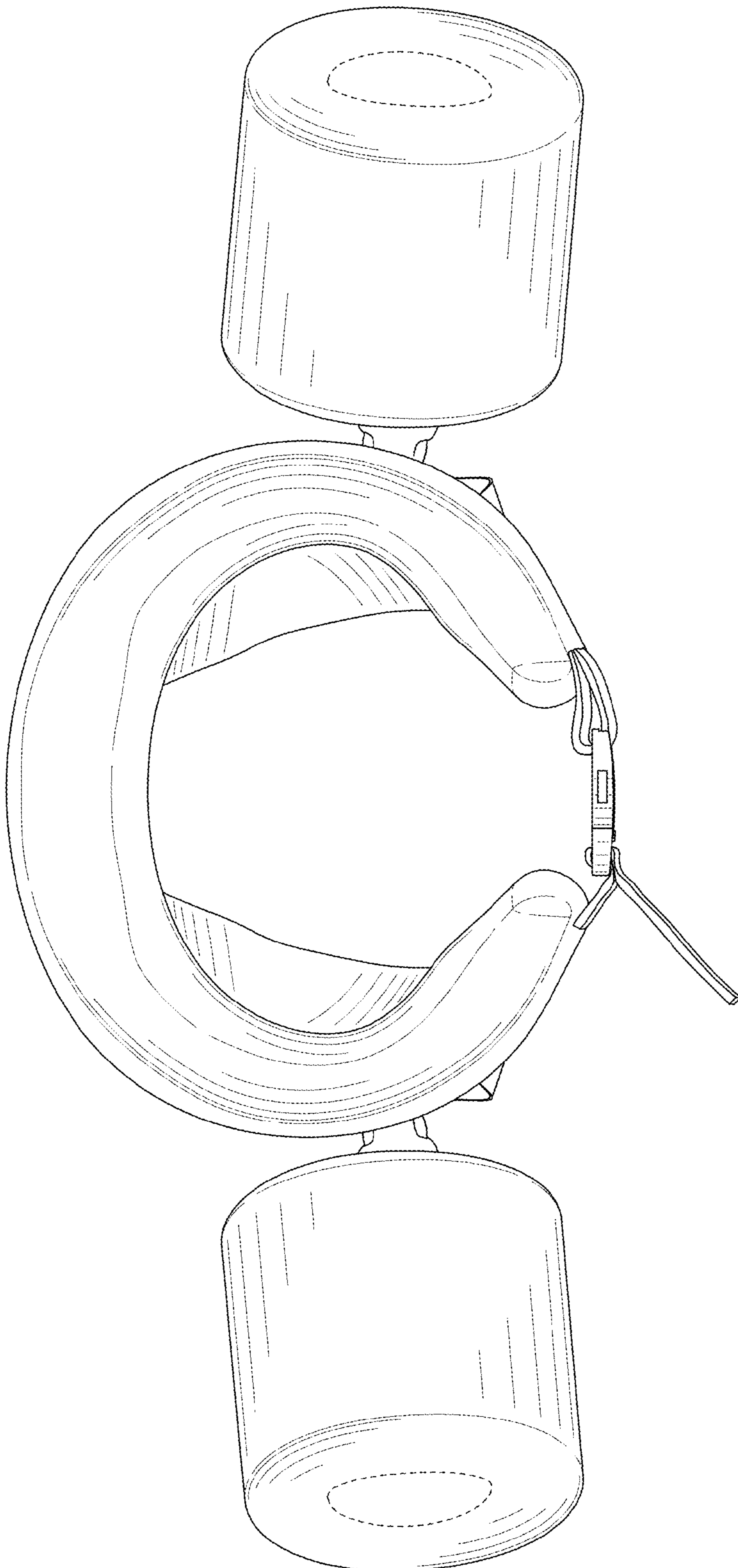


FIG. 8

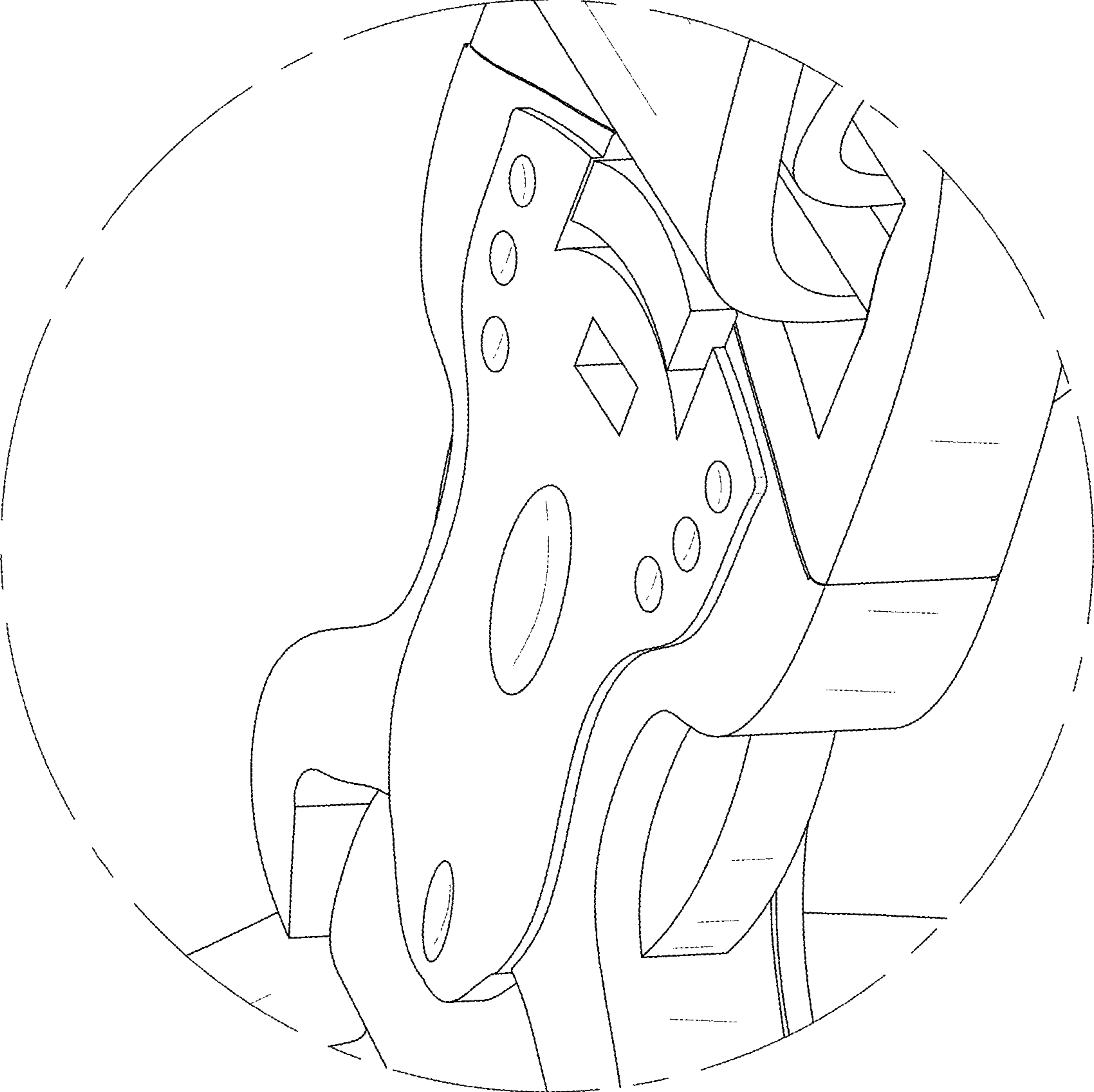


FIG. 9