



US00D954883S

(12) **United States Design Patent** (10) **Patent No.:** **US D954,883 S**
Li (45) **Date of Patent:** **** Jun. 14, 2022**

(54) **BOXING TRAINING DEVICE**

(71) Applicant: **Jiangwei Li**, Jinhua (CN)

(72) Inventor: **Jiangwei Li**, Jinhua (CN)

(**) Term: **15 Years**

(21) Appl. No.: **29/752,441**

(22) Filed: **Sep. 28, 2020**

(51) **LOC (13) Cl.** **21-02**

(52) **U.S. Cl.**
USPC **D21/787**

(58) **Field of Classification Search**
USPC D21/311, 314, 398, 466, 708, 709, 712,
D21/713, 714, 456, 787, 798, 465, 310,
D21/455

CPC A63B 37/00; A63B 43/00; A63B 43/04;
A63B 43/007; A63B 2043/001; A63B
69/0079; A63B 69/0084; A63B 69/0086;
A63B 69/0088; A63B 2243/00; A63B
69/20; A63B 69/201; A63B 69/203; A63B
69/205; A63B 69/206; A63B 69/208;
A63B 69/24; A63B 69/26; A63B 69/32;
A63B 69/34; A63B 69/325; A63B
69/345; A63B 43/002; A63B 43/005;
A63B 69/0091; A63B 2069/0082; A63B
2220/53; A63B 2208/12; A63B 69/004;
A63B 2071/026; A63B 2244/102; A63B
2244/106; A63B 2244/10; A63B 2244/16;
A63B 2225/09; A63B 2225/093

See application file for complete search history.

(56) **References Cited**

U.S. PATENT DOCUMENTS

519,918 A * 5/1894 Maclearn A63B 69/208
482/90
1,020,367 A * 3/1912 Patterson, Jr. A63B 69/208
482/85
2,009,040 A * 7/1935 Beach A63B 69/208
482/90

2,082,272 A * 6/1937 Zinnow A63B 69/208
482/90
2,186,403 A * 1/1940 Bullis A63B 69/208
482/90
2,642,287 A * 6/1953 Rubin A63B 69/203
482/90
D265,333 S * 7/1982 Lee D21/798
(Continued)

OTHER PUBLICATIONS

Nollapo Cobra Bag Boxing Bag Reflex Speed Punching Bag with Stand. Date First Available: Feb. 23, 2021. Retrieved from internet: <<https://www.amazon.com/dp/B08XMJGZS2>> [site visited Feb. 10, 2022] (Year: 2021).*

(Continued)

Primary Examiner — Katherine Glennon
Assistant Examiner — Yuan Yuan
(74) *Attorney, Agent, or Firm* — True Shepherd LLC;
Andrew C. Cheng

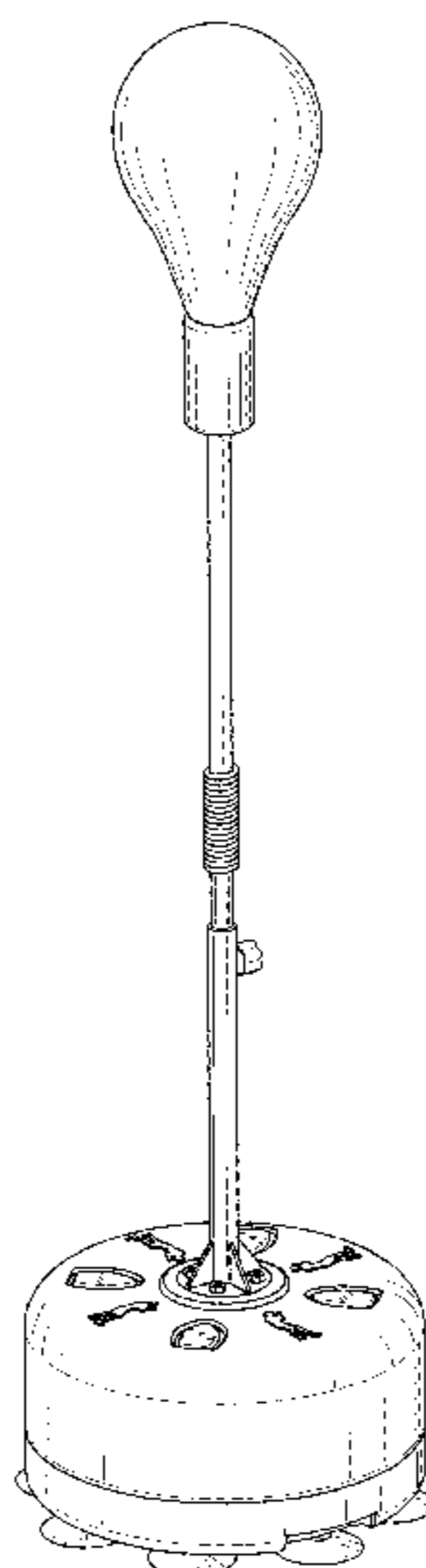
(57) **CLAIM**

The ornamental design for a boxing training device, as shown and described.

DESCRIPTION

FIG. 1 is a perspective view of a boxing training device showing my new design;
FIG. 2 is a perspective view of the boxing training device in a use state;
FIG. 3 is a front view of FIG. 1;
FIG. 4 is a rear view thereof;
FIG. 5 is a left side view thereof;
FIG. 6 is a right side view thereof;
FIG. 7 is a top plan view thereof; and,
FIG. 8 is a bottom plan, view thereof.
The broken lines depict portions of the boxing training device and form no part of the claimed design.

1 Claim, 7 Drawing Sheets



(56)

References Cited

U.S. PATENT DOCUMENTS

6,786,854 B1 * 9/2004 Hsu A63B 69/208
482/90
7,704,194 B1 * 4/2010 Chen A63B 69/208
482/90
7,766,799 B1 * 8/2010 Chen A63B 69/208
482/85
8,641,583 B2 * 2/2014 Chen A63B 69/208
482/90
8,814,759 B2 * 8/2014 Goldy A63B 71/0036
482/90
8,932,155 B2 * 1/2015 Moore A63B 69/004
473/422
10,315,092 B2 * 6/2019 Chen A63B 69/20
D899,544 S * 10/2020 Li D21/787
D912,753 S * 3/2021 Zheng D21/787
D922,510 S * 6/2021 Garcia D21/787
D926,903 S * 8/2021 Zheng D21/787
D931,396 S * 9/2021 Zheng D21/787
D938,538 S * 12/2021 Li D21/787
11,253,765 B1 * 2/2022 Huang A63B 69/208

2012/0135843 A1 * 5/2012 Goldy A63B 69/24
482/90
2013/0085044 A1 * 4/2013 Chen A63B 69/20
482/87
2013/0106036 A1 * 5/2013 Fu A63B 69/208
267/69
2013/0324372 A1 * 12/2013 Cuadrado A63B 69/20
482/90
2013/0331235 A1 * 12/2013 Fields A63B 69/203
482/83
2017/0348577 A1 * 12/2017 Chen A63B 69/208
2020/0155914 A1 * 5/2020 Hu A63B 69/203
2021/0178239 A1 * 6/2021 Chen A63B 69/20
2022/0040552 A1 * 2/2022 Huang A63B 69/208

OTHER PUBLICATIONS

Prize Form Cobra Reflex Bag Boxing. Date First Available: Apr. 7, 2021. Retrieved from internet: <<https://www.amazon.com/dp/B091YF1XCK>> [site visited Feb. 10, 2022] (Year: 2021).*

* cited by examiner

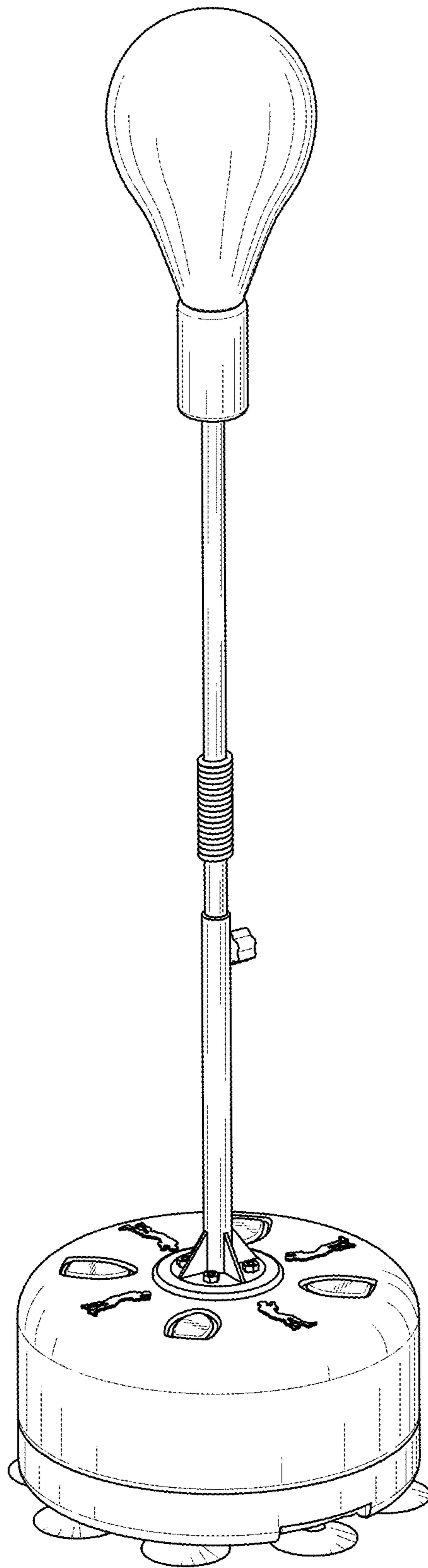


FIG. 1

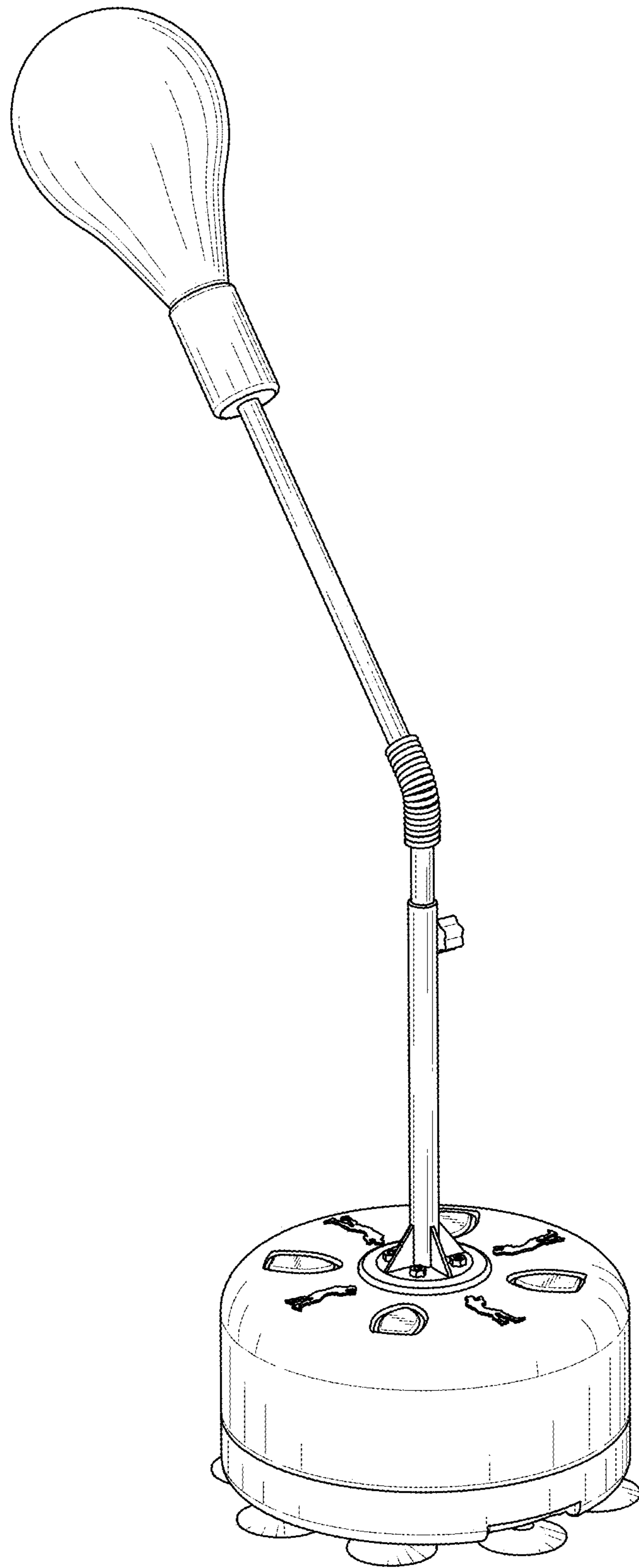


FIG. 2

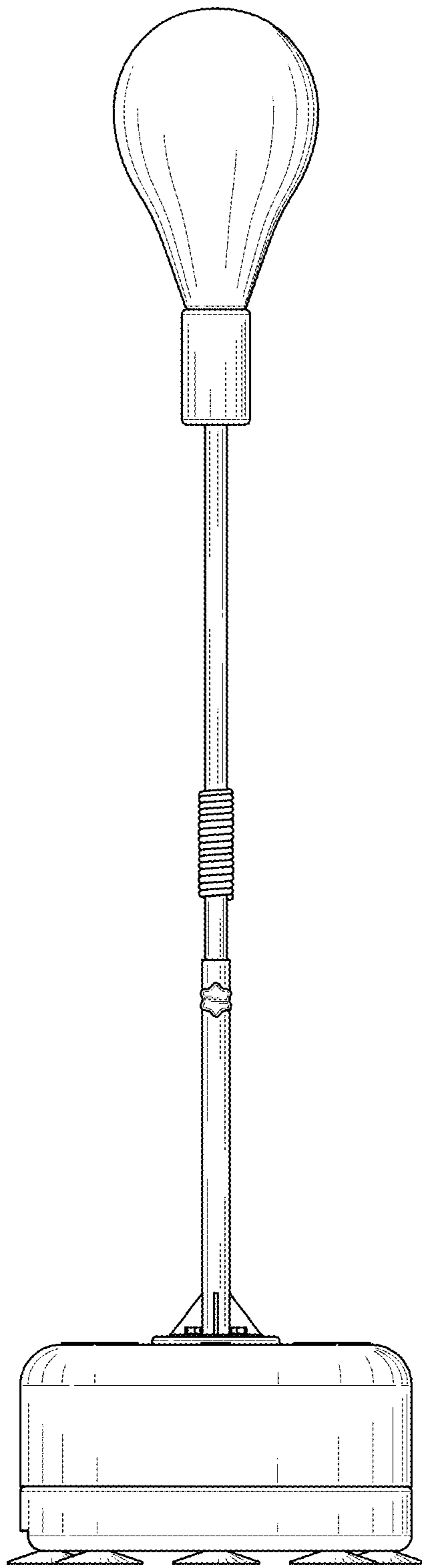


FIG. 3

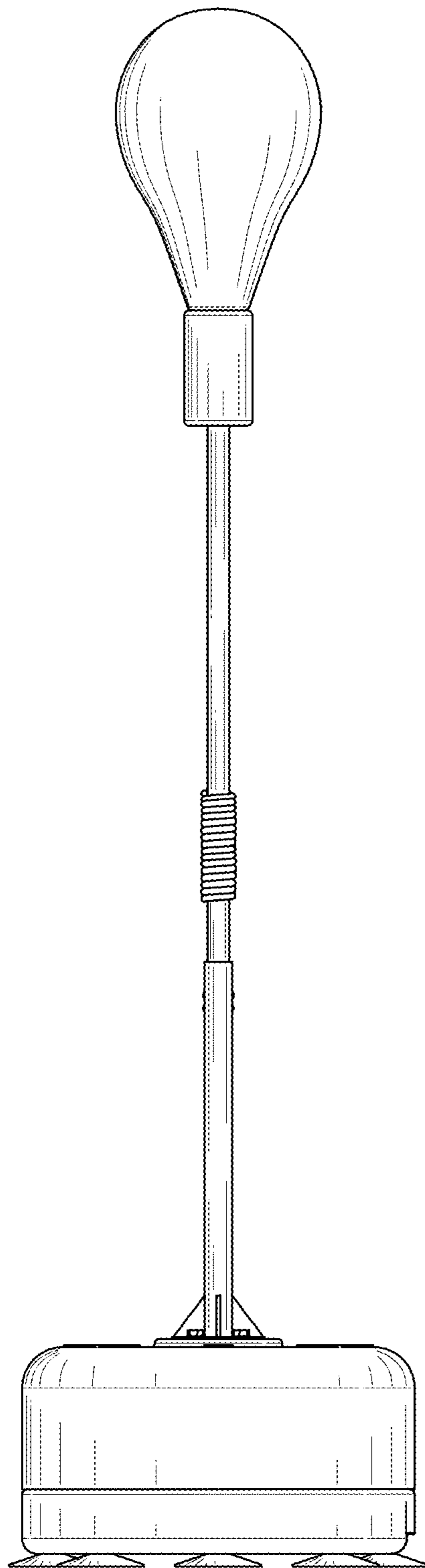


FIG. 4

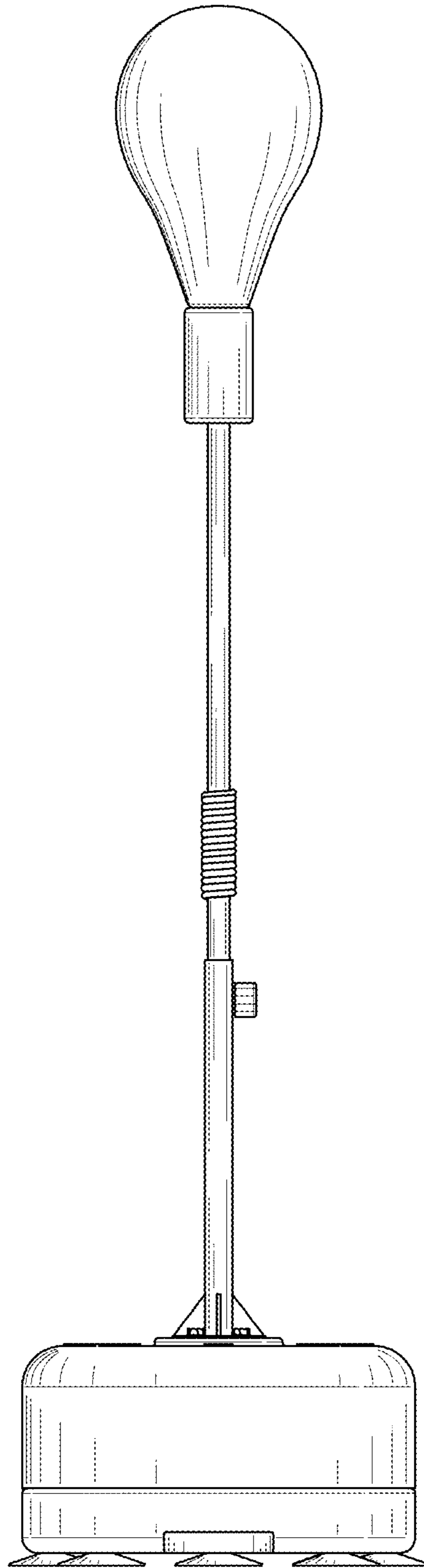


FIG. 5

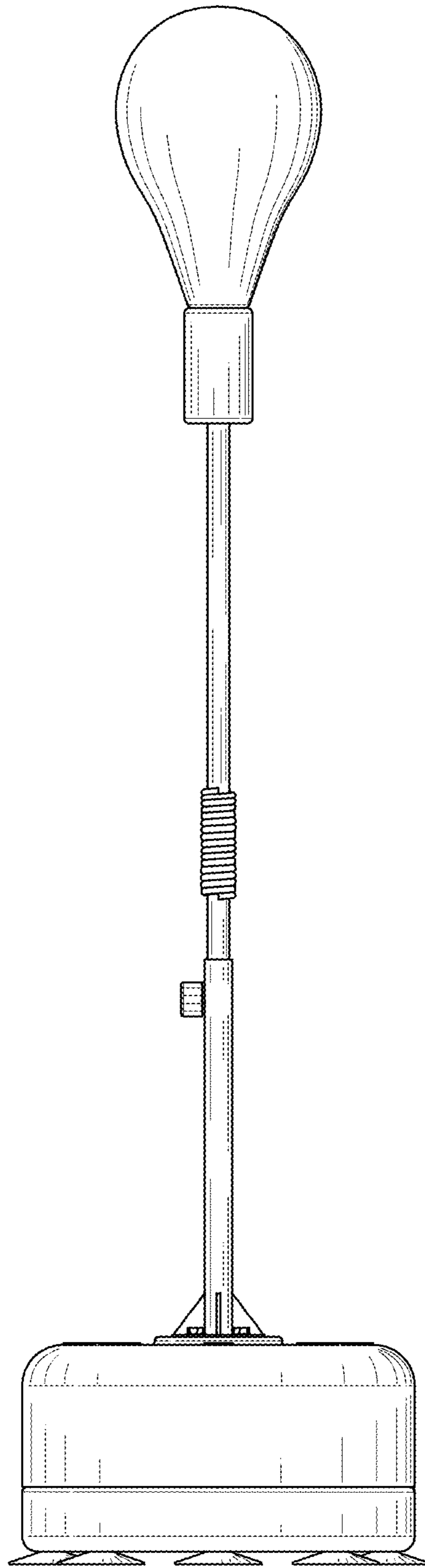


FIG. 6

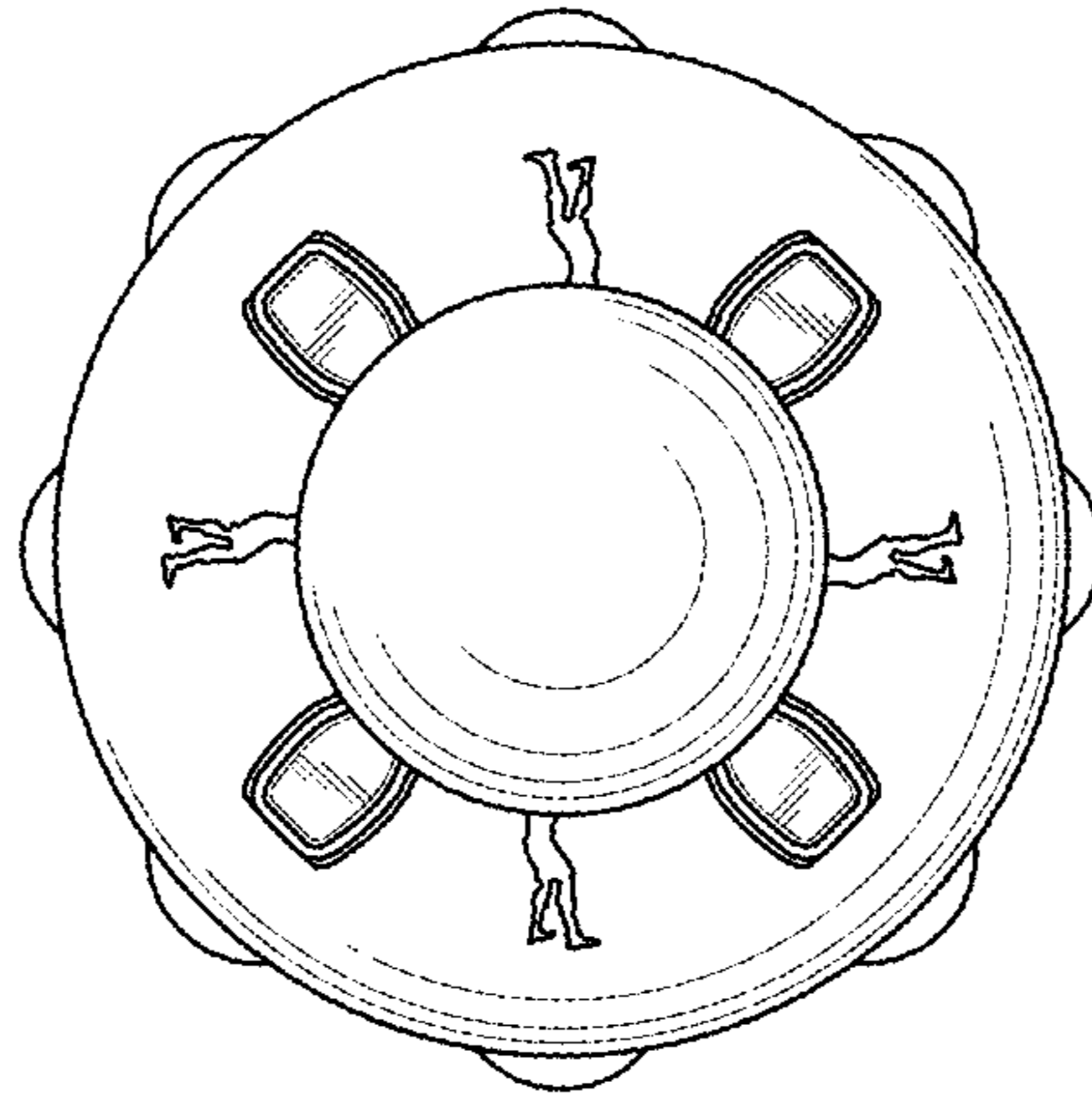


FIG. 7

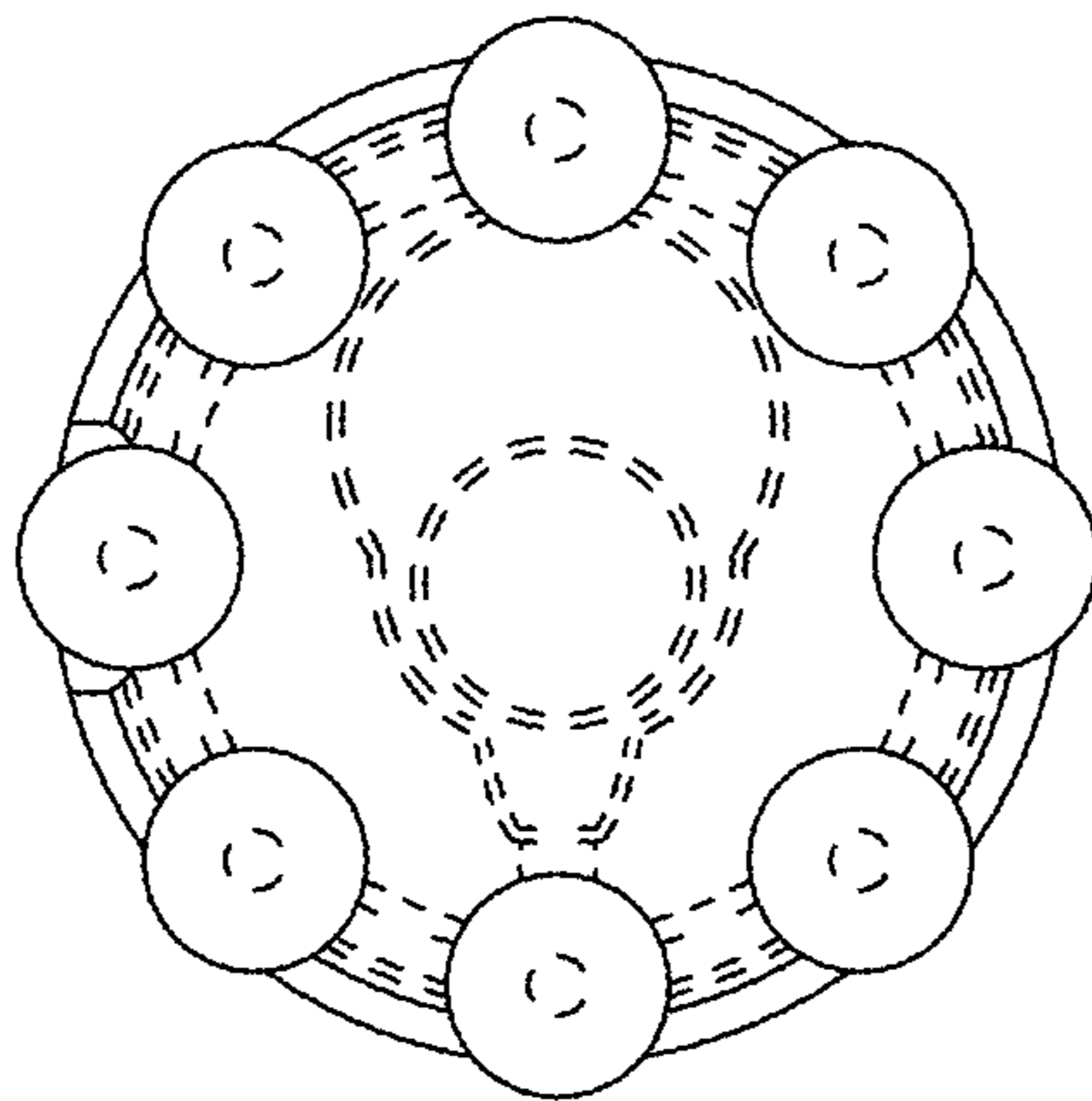


FIG. 8