



US00D954882S

(12) **United States Design Patent**
Guo

(10) **Patent No.:** **US D954,882 S**
(45) **Date of Patent:** **** Jun. 14, 2022**

(54) **SURF BOARD**

(71) Applicant: **SHENZHEN LANFAN INTERNATIONAL COSMETICS CO., LTD.**, Shenzhen (CN)

(72) Inventor: **Hui Guo**, Shenzhen (CN)

(**) Term: **15 Years**

(21) Appl. No.: **29/781,375**

(22) Filed: **Apr. 29, 2021**

(51) **LOC (13) Cl.** **21-02**

(52) **U.S. Cl.**
USPC **D21/769**

(58) **Field of Classification Search**
USPC D21/769, 770, 801, 803; D12/300, 302, D12/306, 307
CPC B63B 32/00; B63B 32/10; B63B 32/20; B63B 32/30; B63B 32/40
See application file for complete search history.

(56) **References Cited**

U.S. PATENT DOCUMENTS

4,129,911 A * 12/1978 McDonald B63B 32/40
441/74
6,183,333 B1 * 2/2001 Hall A63H 13/045
441/74

D718,826 S 12/2014 Barron
D785,738 S * 5/2017 McKellar D21/769
D822,778 S * 7/2018 Strange D21/769
10,011,329 B1 * 7/2018 Cooper B63B 32/10
10,035,570 B1 * 7/2018 Barron B63C 9/02
D914,120 S * 3/2021 Schmidt D21/769
D940,806 S * 1/2022 Hembert D21/769
2014/0080369 A1 * 3/2014 Haller B63B 32/51
441/66

* cited by examiner

Primary Examiner — Zenia I Bennett

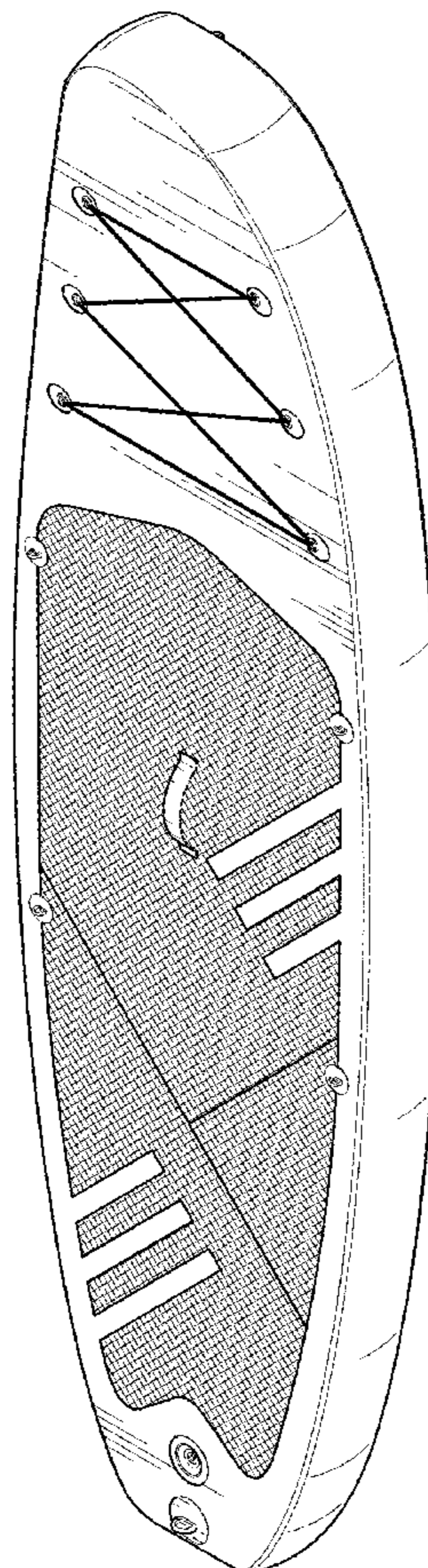
(57) **CLAIM**

The ornamental design for a surf board, as shown and described.

DESCRIPTION

FIG. 1 is a front, top, right perspective view of a surf board, showing the claimed design;
FIG. 2 is a front elevation view thereof;
FIG. 3 is a rear elevation view thereof;
FIG. 4 is a left side elevation view thereof;
FIG. 5 is a right side elevation view thereof;
FIG. 6 is a top plan view thereof; and,
FIG. 7 is a bottom plan view thereof.
The dashed broken lines in the drawing depict portions of the surf board that form no part of the claimed design.

1 Claim, 6 Drawing Sheets



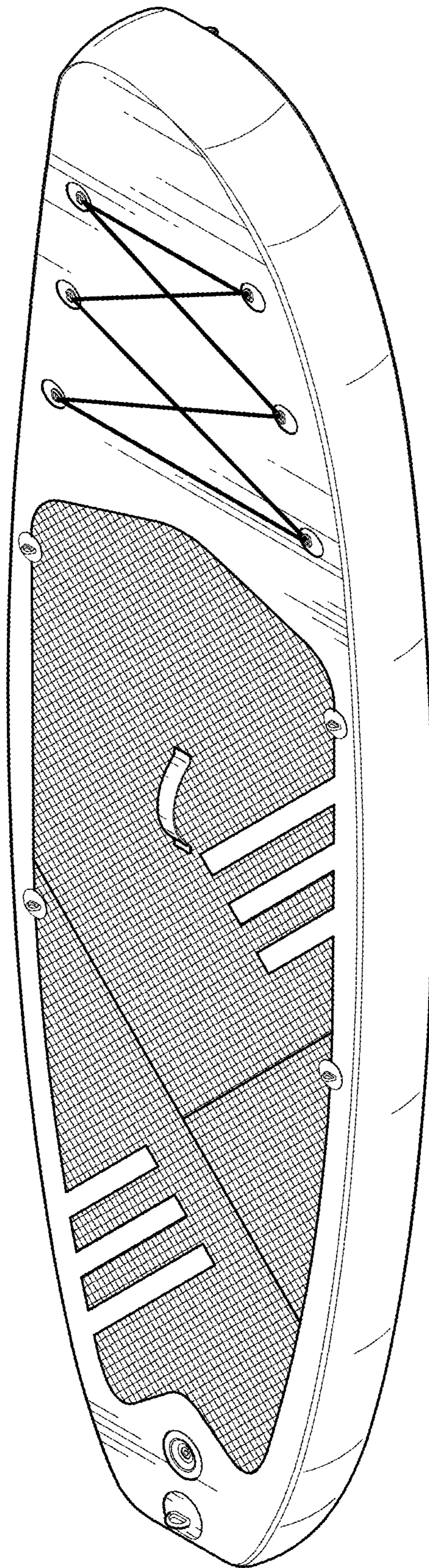


FIG. 1

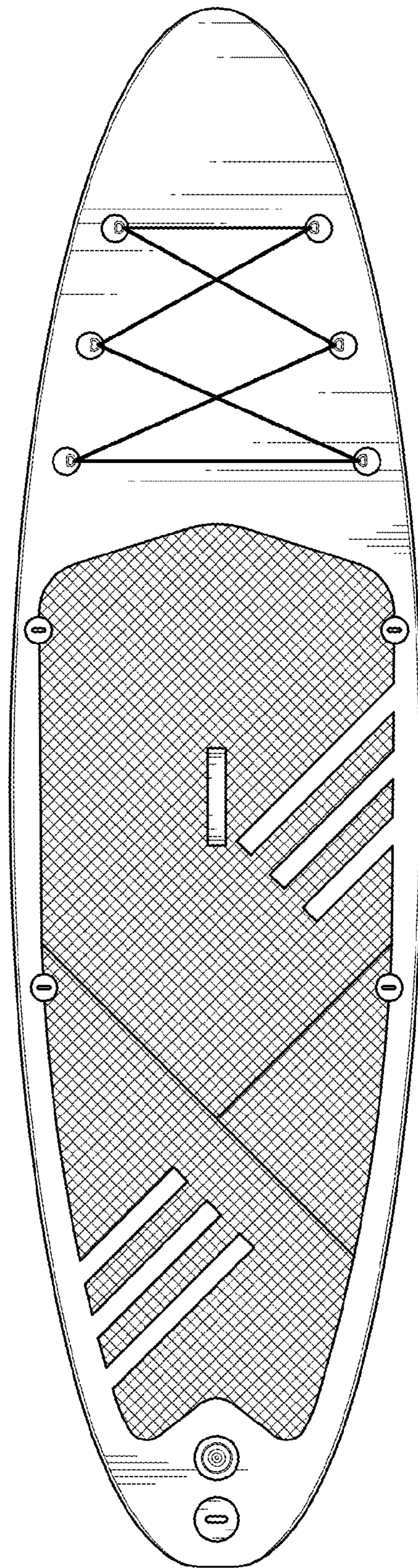


FIG. 2

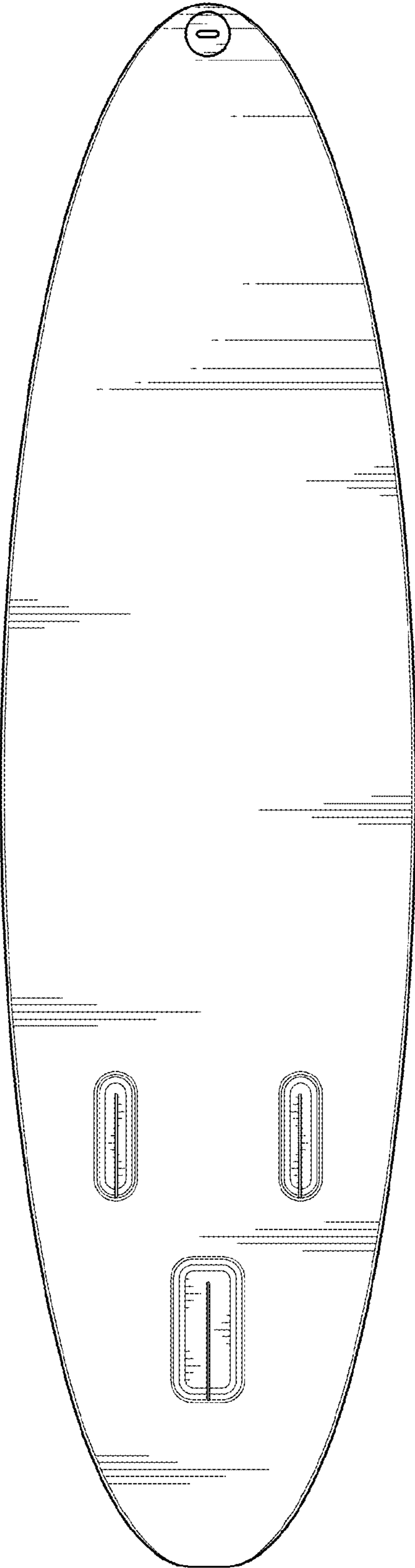


FIG. 3

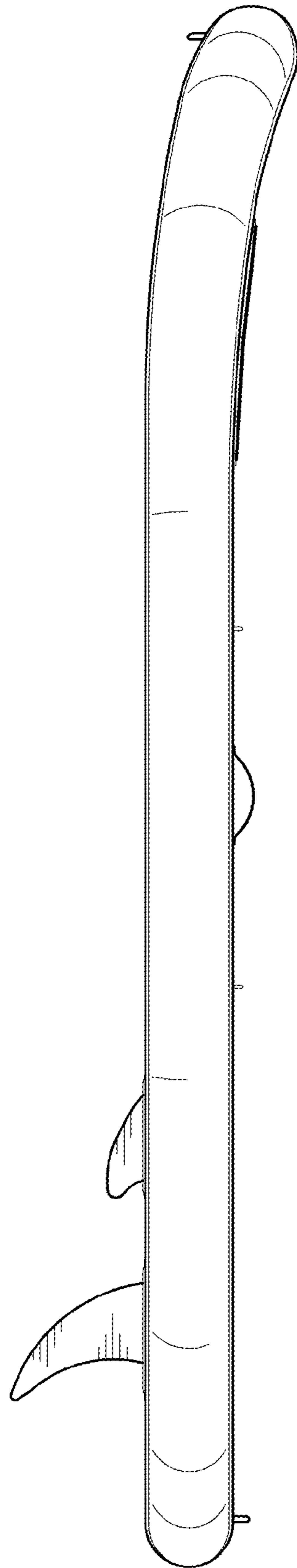


FIG. 4

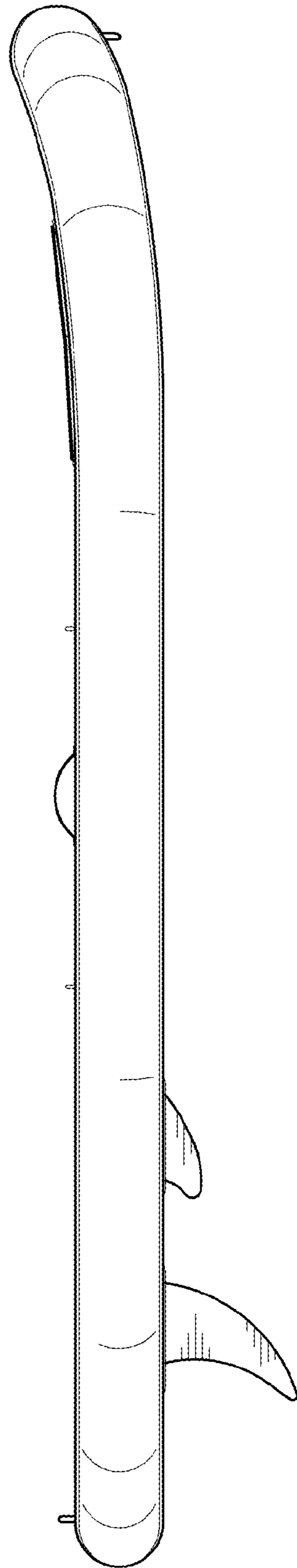


FIG. 5

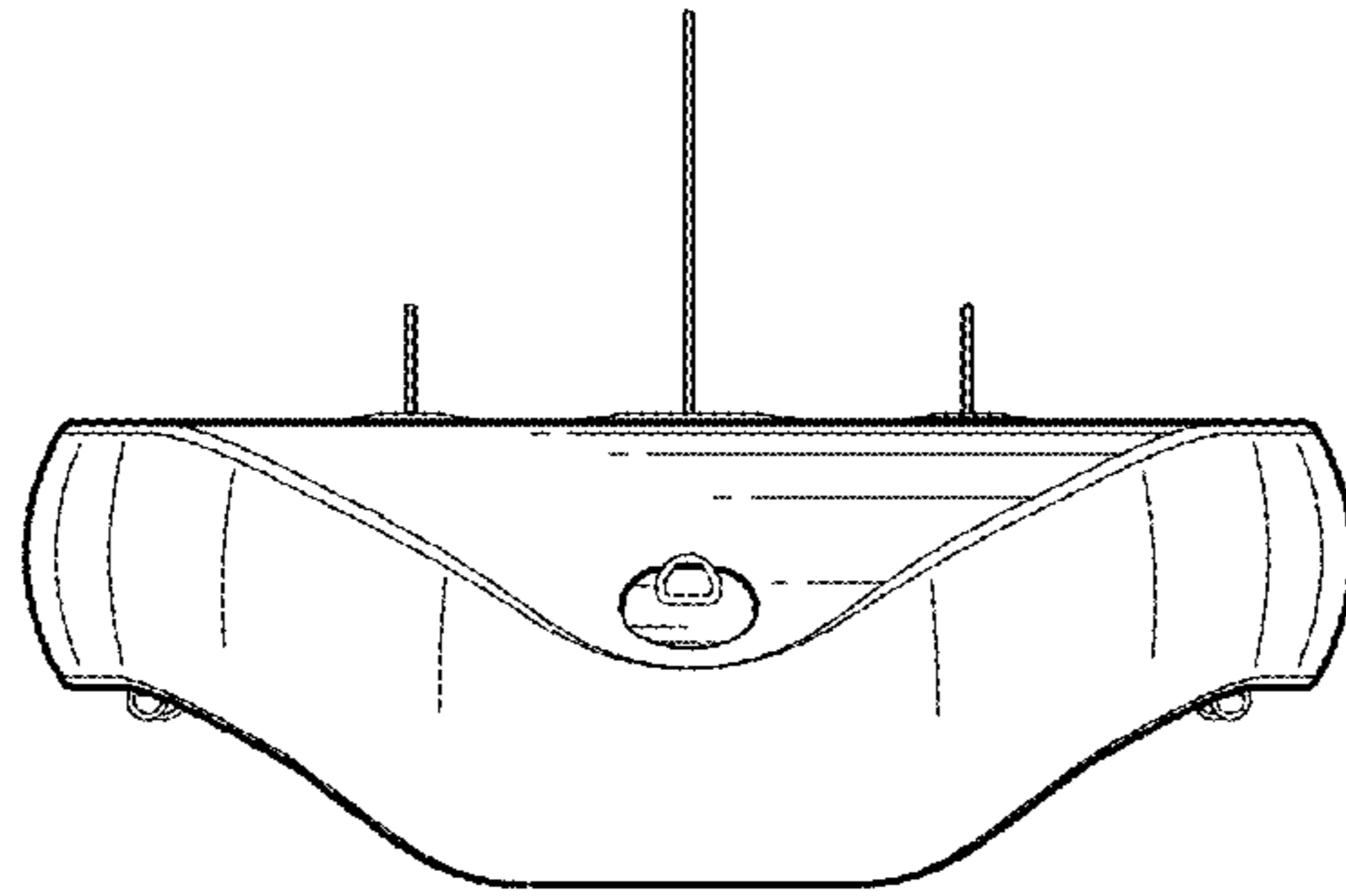


FIG. 6

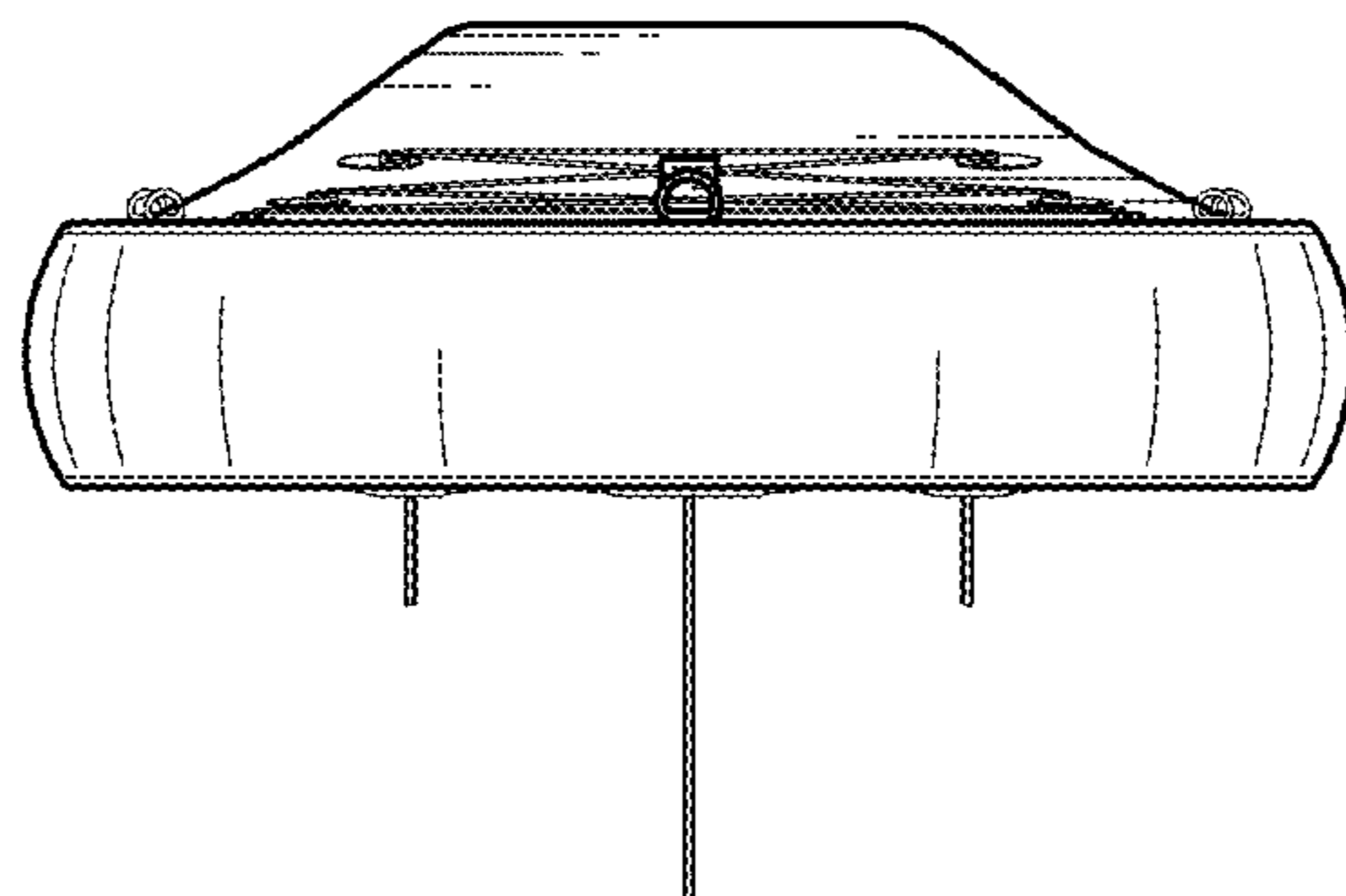


FIG. 7