



US00D954879S

(12) **United States Design Patent**
Parsons et al.

(10) **Patent No.:** **US D954,879 S**
(45) **Date of Patent:** **** Jun. 14, 2022**

(54) **GOLF CLUB HEAD**

D94,549 S 2/1935 Jansky
D94,550 S 2/1935 Jansky
D138,437 S 8/1944 Link

(Continued)

(71) Applicant: **PARSONS XTREME GOLF, LLC**,
Scottsdale, AZ (US)

(72) Inventors: **Robert R. Parsons**, Scottsdale, AZ
(US); **Bradley D. Schweigert**, Cave
Creek, AZ (US); **Michael R. Nicolette**,
Scottsdale, AZ (US)

OTHER PUBLICATIONS

Pxg woods google search; google.com; Apr. 6, 2022.*
(Continued)

(73) Assignee: **PARSONS XTREME GOLF, LLC**,
Scottsdale, AZ (US)

Primary Examiner — Mitchell I. Siegel

(**) Term: **15 Years**

(57) **CLAIM**

The ornamental design for a golf club head, as shown and
described.

(21) Appl. No.: **29/755,040**

DESCRIPTION

(22) Filed: **Oct. 16, 2020**

(51) **LOC (13) Cl.** **21-02**

(52) **U.S. Cl.**
USPC **D21/752**

(58) **Field of Classification Search**
USPC D21/733, 752, 759
CPC A63B 53/00; A63B 53/02; A63B 53/04;
A63B 53/047; A63B 53/0475; A63B
2053/0479; A63B 2053/0483; A63B
2053/0445; A63B 60/00; A63B 60/46
See application file for complete search history.

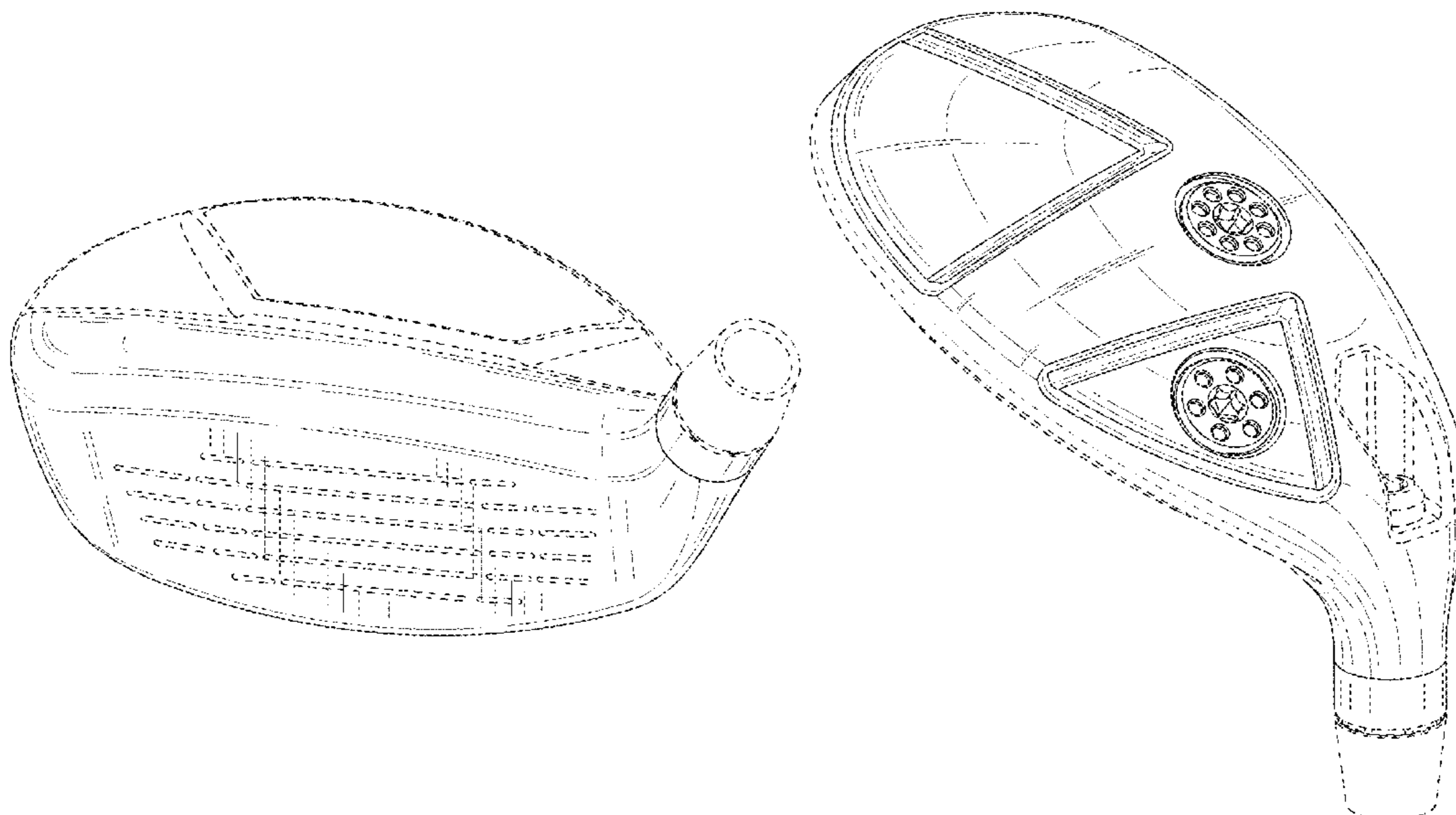
FIG. 1 is a top perspective view of a golf club head;
FIG. 2 is a bottom perspective view of the golf club head;
FIG. 3 is a front elevational view of the golf club head;
FIG. 4 is a rear elevational view of the golf club head;
FIG. 5 is a top view of the golf club head;
FIG. 6 is a bottom view of the golf club head;
FIG. 7 is a left side view of the golf club head;
FIG. 8 is a right side view of the golf club head;
FIG. 9 is a top perspective view of a second embodiment of
a golf club head;
FIG. 10 is a bottom perspective view of the golf club head
of FIG. 9;
FIG. 11 is a front elevational view of the golf club head of
FIG. 9;
FIG. 12 is a rear elevational view of the golf club head of
FIG. 9;
FIG. 13 is a top view of the golf club head of FIG. 9;
FIG. 14 is a bottom view of the golf club head of FIG. 9;
FIG. 15 is a left side view of the golf club head of FIG. 9;
and,
FIG. 16 is a right side view of the golf club head of FIG. 9.
The broken lines shown on the drawings form no part of the
claimed design.

(56) **References Cited**

U.S. PATENT DOCUMENTS

1,133,129 A	3/1915	Govan
1,269,745 A	6/1918	Robertson
1,306,029 A	6/1919	Robertson
D55,867 S	7/1920	Matters
1,509,429 A	9/1924	Hillerich
1,534,600 A	4/1925	Mattern
1,538,312 A	5/1925	Neish
1,543,691 A	6/1925	Beat
1,774,590 A	9/1930	Buhrke

1 Claim, 8 Drawing Sheets



(56)

References Cited

U.S. PATENT DOCUMENTS

D138,438 S	8/1944	Link	6,077,171 A	6/2000	Yoneyama
D138,439 S	8/1944	Link	D442,659 S	5/2001	Kubica et al.
D138,441 S	8/1944	Link	D443,008 S	5/2001	Kubica et al.
D138,442 S	8/1944	Link	D444,830 S	7/2001	Kubica et al.
D164,469 S	9/1951	Behrendt	D445,862 S	7/2001	Ford
D185,177 S	5/1959	Smith	6,290,609 B1	9/2001	Takeda
3,020,048 A	2/1962	Carroll	D448,824 S	10/2001	Koizumi et al.
D203,936 S	3/1966	Long	D449,866 S	10/2001	Miller
D215,101 S	9/1969	Sabat	D457,211 S	5/2002	Bakke
3,556,553 A	1/1971	Kolbe	D469,833 S	2/2003	Roberts et al.
3,652,094 A	3/1972	Glover	D473,604 S	4/2003	Antonious
D229,431 S	11/1973	Baker	D473,605 S	4/2003	Petersen et al.
D234,609 S	3/1975	Raymont	D475,107 S	5/2003	Madore
D234,610 S	3/1975	Raymont	D476,048 S	6/2003	Cleveland et al.
D234,963 S	4/1975	Hirata	D478,140 S	8/2003	Burrows
D239,550 S	4/1976	Timbrook	D478,949 S	8/2003	DeLaCruz
D240,054 S	5/1976	Meissler	D481,087 S	10/2003	Antonious
D240,748 S	7/1976	Bock et al.	6,638,182 B2	10/2003	Kosmatka
D241,956 S *	10/1976	Timbrook 473/314	6,695,714 B1	2/2004	Bliss et al.
4,085,934 A	4/1978	Churchward	6,702,693 B2	3/2004	Bamber
D253,778 S	12/1979	Madison	6,773,360 B2	8/2004	Willett et al.
D261,167 S	10/1981	Swanson	6,780,123 B2	8/2004	Hasebe
4,332,388 A	6/1982	Crow	D497,963 S	11/2004	Toulon et al.
D285,954 S	9/1986	Hasegawa	6,811,496 B2	11/2004	Wahl et al.
D294,617 S	3/1988	Perkins	D499,779 S	12/2004	Mahaffey et al.
4,754,977 A	7/1988	Sahm	D502,975 S	3/2005	Schweigert et al.
4,824,116 A	4/1989	Nagamoto et al.	D503,204 S	3/2005	Nicolette et al.
D307,783 S	5/1990	Iinuma	D507,320 S	7/2005	Roberts et al.
4,988,104 A	1/1991	Shiotani et al.	D508,545 S	8/2005	Roberts et al.
D326,885 S	6/1992	Paul	D508,969 S	8/2005	Hasebe
5,158,296 A	10/1992	Lee	6,923,733 B2	8/2005	Chen
5,176,384 A	1/1993	Sata et al.	6,939,247 B1	9/2005	Schweigert et al.
5,213,328 A	5/1993	Long et al.	D513,051 S	12/2005	Barez et al.
5,213,329 A	5/1993	Okumoto et al.	D514,179 S	1/2006	Chen et al.
D336,672 S	6/1993	Gorman	D514,183 S	1/2006	Schweigert et al.
D336,935 S	6/1993	York et al.	D514,185 S	1/2006	Barez et al.
D338,935 S	8/1993	Antonious	D515,642 S	2/2006	Antonious
D344,561 S	2/1994	Gorman	D516,650 S	3/2006	Wolfe et al.
D351,883 S	10/1994	Solheim et al.	D518,863 S	4/2006	Motoyoshi et al.
D353,862 S	12/1994	Saito	D520,585 S	5/2006	Hasebe
D357,520 S	4/1995	Helmstetter et al.	D520,586 S	5/2006	Bingman
5,419,560 A	5/1995	Bamber	D522,077 S	5/2006	Schweigert et al.
5,425,535 A	6/1995	Gee	D522,601 S	6/2006	Schweigert et al.
D361,358 S	8/1995	Simmons	D523,104 S	6/2006	Hasebe
5,447,311 A	9/1995	Viollaz et al.	D523,498 S	6/2006	Chen et al.
5,451,056 A	9/1995	Manning	D523,501 S	6/2006	Nicolette et al.
D362,884 S	10/1995	Blough et al.	D523,917 S	6/2006	Wolfe et al.
D362,885 S	10/1995	Blough et al.	D524,889 S	7/2006	Yu et al.
D362,887 S	10/1995	Blough et al.	D526,372 S	8/2006	Kohno
5,518,243 A	5/1996	Redman	D526,694 S	8/2006	Schweigert et al.
D370,514 S	6/1996	Blough et al.	7,121,956 B2	10/2006	Lo
D371,816 S	7/1996	Yoshioka	7,128,663 B2	10/2006	Bamber
5,540,437 A	7/1996	Bamber	D534,595 S	1/2007	Hasebe
D378,111 S *	2/1997	Parente D21/752	D534,599 S	1/2007	Barez et al.
5,637,045 A	6/1997	Igarashi	7,156,751 B2	1/2007	Wahl et al.
D384,120 S *	9/1997	De La Cruz D21/752	7,166,040 B2	1/2007	Hoffman et al.
5,669,830 A	9/1997	Bamber	D536,401 S	2/2007	Kawami
D389,541 S	1/1998	Huan-Chiang	D536,402 S	2/2007	Kawami
D395,476 S	6/1998	Pond et al.	D536,403 S	2/2007	Kawami
5,766,091 A	6/1998	Humphrey et al.	D537,495 S	2/2007	Schweigert et al.
5,766,092 A	6/1998	Mimeur et al.	7,182,698 B2	2/2007	Tseng
5,788,584 A	8/1998	Parente et al.	D538,363 S	3/2007	Schweigert et al.
D399,277 S	10/1998	Ezaki	D538,371 S	3/2007	Kawami
5,827,132 A	10/1998	Bamber	7,186,190 B1	3/2007	Beach et al.
D400,625 S	11/1998	Kubica et al.	7,207,900 B2	4/2007	Nicolette et al.
D400,627 S	11/1998	Kubica et al.	D543,601 S	5/2007	Kawami
D402,340 S *	12/1998	Sheets D21/733	7,223,180 B2	5/2007	Willett et al.
D405,489 S	2/1999	Kubica et al.	D550,318 S *	9/2007	Oldknow D21/759
D405,492 S	2/1999	Kubica et al.	D552,198 S	10/2007	Schweigert et al.
D408,485 S	4/1999	Takahashi et al.	D555,219 S	11/2007	Lin
5,899,821 A	5/1999	Hsu et al.	D556,288 S	11/2007	Robinson et al.
5,935,016 A	8/1999	Antonious	D557,363 S	12/2007	Jertson et al.
D414,535 S	9/1999	Mertens	D558,287 S	12/2007	Jertson et al.
D421,080 S	2/2000	Chen	7,303,486 B2	12/2007	Imamoto
D426,276 S	6/2000	Besnard et al.	D559,932 S	1/2008	Belmont
			D561,284 S	2/2008	Nagai et al.
			D562,421 S	2/2008	Jertson et al.
			D563,498 S	3/2008	Jertson et al.
			D564,054 S	3/2008	Jertson et al.

(56)

References Cited

U.S. PATENT DOCUMENTS

D564,055 S	3/2008	Jertson et al.	8,105,180 B1	1/2012	Cackett et al.	
7,338,388 B2	3/2008	Schweigert et al.	D658,248 S	4/2012	Nunez et al.	
7,347,794 B2	3/2008	Schweigert	D661,751 S	6/2012	Nicolette et al.	
D567,317 S	4/2008	Jertson et al.	D661,756 S	6/2012	Nicolette et al.	
7,351,164 B2	4/2008	Schweigert et al.	8,221,262 B1	7/2012	Cackett et al.	
D569,933 S	5/2008	Jertson et al.	8,246,487 B1	8/2012	Cackett et al.	
D569,934 S	5/2008	Jertson et al.	8,257,196 B1	9/2012	Abbott et al.	
D569,935 S	5/2008	Schweigert et al.	8,257,197 B2	9/2012	Schweigert	
D569,936 S	5/2008	Schweigert et al.	8,262,506 B2 *	9/2012	Watson	A63B 60/00 473/335
D569,942 S	5/2008	Jertson et al.	8,328,662 B2	12/2012	Nakamura et al.	
D570,937 S	6/2008	Schweigert et al.	D673,630 S	1/2013	Schweigert	
D570,938 S	6/2008	Jertson et al.	D673,632 S	1/2013	Schweigert et al.	
7,396,299 B2	7/2008	Nicolette et al.	8,371,957 B2	2/2013	Schweigert et al.	
7,407,447 B2	8/2008	Beach et al.	8,376,878 B2	2/2013	Bennett et al.	
7,410,425 B2	8/2008	Willett et al.	D680,179 S	4/2013	Solheim et al.	
7,410,426 B2	8/2008	Willett et al.	D681,142 S	4/2013	Fossum et al.	
7,419,441 B2	9/2008	Hoffman et al.	8,414,422 B2	4/2013	Peralta et al.	
D579,507 S	10/2008	Llewellyn et al.	8,485,919 B2 *	7/2013	Rice	A63B 60/02 473/335
7,448,963 B2	11/2008	Beach et al.	8,506,420 B2	8/2013	Hocknell et al.	
7,448,964 B2	11/2008	Schweigert et al.	D689,156 S	9/2013	Stokke et al.	
D584,370 S	1/2009	Cleveland et al.	D691,230 S	10/2013	Chen et al.	
7,530,904 B2	5/2009	Beach et al.	8,545,343 B2	10/2013	Boyd et al.	
D594,518 S	6/2009	Schweigert	8,562,457 B2	10/2013	Beach et al.	
D594,520 S	6/2009	Schweigert et al.	8,574,094 B2	11/2013	Nicolette et al.	
D594,521 S	6/2009	Jertson et al.	8,608,587 B2	12/2013	Henrikson et al.	
D594,919 S	6/2009	Schweigert et al.	8,628,431 B2	1/2014	Schweigert et al.	
7,540,811 B2	6/2009	Beach et al.	8,657,700 B2	2/2014	Nicolette et al.	
D597,620 S	8/2009	Taylor et al.	8,663,026 B2	3/2014	Blowers et al.	
7,568,985 B2	8/2009	Beach et al.	8,690,710 B2	4/2014	Nicolette et al.	
7,578,753 B2	8/2009	Beach et al.	D707,316 S	6/2014	Aguayo et al.	
D600,297 S	9/2009	Jertson et al.	D707,317 S	6/2014	Aguayo et al.	
7,584,531 B2	9/2009	Schweigert et al.	8,753,230 B2	6/2014	Stokke et al.	
7,588,502 B2	9/2009	Nishino	8,777,778 B2	7/2014	Solheim et al.	
7,591,738 B2	9/2009	Beach et al.	8,784,232 B2	7/2014	Jertson et al.	
D603,472 S	11/2009	Schweigert et al.	8,790,196 B2	7/2014	Solheim et al.	
D604,783 S	11/2009	Nicolette et al.	8,808,108 B2	8/2014	Schweigert	
7,611,424 B2	11/2009	Nagai et al.	D712,989 S	9/2014	Gillig	
7,621,823 B2	11/2009	Beach et al.	8,826,512 B2	9/2014	Schweigert	
D605,715 S	12/2009	Barez et al.	8,827,832 B2	9/2014	Breier et al.	
D606,605 S	12/2009	Wada et al.	8,827,833 B2	9/2014	Amano et al.	
D607,070 S	12/2009	Wada et al.	8,845,455 B2	9/2014	Ban et al.	
D607,071 S	12/2009	Wada et al.	D714,894 S	10/2014	Tang et al.	
7,632,194 B2	12/2009	Beach et al.	D716,387 S	10/2014	Aguayo et al.	
7,658,686 B2	2/2010	Soracco	D716,388 S	10/2014	Aguayo et al.	
D612,438 S	3/2010	Carlyle et al.	8,858,362 B1	10/2014	Leposky et al.	
D612,439 S	3/2010	Carlyle et al.	D721,544 S	1/2015	Hollander	
7,713,142 B2	5/2010	Hoffman et al.	D722,352 S	2/2015	Nicolette et al.	
7,717,804 B2	5/2010	Beach et al.	D723,120 S	2/2015	Nicolette	
7,717,805 B2	5/2010	Beach et al.	8,961,336 B1	2/2015	Parsons et al.	
D617,406 S	6/2010	Carlyle et al.	D724,164 S	3/2015	Schweigert et al.	
D618,293 S	6/2010	Foster et al.	8,979,671 B1 *	3/2015	DeMille	A63B 60/00 473/335
D618,746 S	6/2010	Jertson et al.	D726,265 S	4/2015	Nicolette	
D618,747 S	6/2010	Schweigert et al.	D729,892 S	5/2015	Nicolette et al.	
D618,753 S	6/2010	Jertson et al.	D733,234 S	6/2015	Nicolette	
D618,754 S	6/2010	Schweigert et al.	9,199,140 B1	12/2015	Schweigert et al.	
7,744,484 B1	6/2010	Chao	9,199,143 B1	12/2015	Parsons et al.	
D621,893 S	8/2010	Nicolette et al.	D746,927 S	1/2016	Parsons et al.	
7,798,203 B2	9/2010	Schweigert et al.	D748,214 S	1/2016	Nicolette et al.	
7,798,917 B2	9/2010	Nguyen et al.	D748,749 S	2/2016	Nicolette et al.	
7,815,521 B2	10/2010	Ban et al.	D753,251 S	4/2016	Schweigert et al.	
7,846,040 B2	12/2010	Ban	D755,319 S	5/2016	Nicolette et al.	
7,846,041 B2	12/2010	Beach et al.	D756,471 S	5/2016	Nicolette et al.	
D633,967 S	3/2011	Carlyle et al.	9,352,197 B2	5/2016	Parsons et al.	
D635,626 S	4/2011	Nicolette	D759,178 S	6/2016	Nicolette	
7,927,229 B2	4/2011	Jertson et al.	D760,334 S	6/2016	Schweigert et al.	
D638,893 S	5/2011	Schweigert et al.	9,399,158 B2	7/2016	Parsons et al.	
D638,896 S	5/2011	Schweigert et al.	9,421,437 B2	8/2016	Parsons et al.	
7,938,738 B2	5/2011	Roach	9,427,634 B2	8/2016	Parsons et al.	
7,963,861 B2	6/2011	Beach et al.	D767,696 S	9/2016	Parsons et al.	
D643,490 S	8/2011	Wada et al.	D776,216 S	1/2017	Schweigert et al.	
8,012,038 B1	9/2011	Beach et al.	D777,858 S	1/2017	Schweigert et al.	
D647,585 S	10/2011	Jertson et al.	9,555,295 B2	1/2017	Schweigert et al.	
8,062,150 B2	11/2011	Gilbert et al.	9,630,070 B2	4/2017	Parsons et al.	
8,088,025 B2	1/2012	Wahl et al.	D802,069 S	11/2017	Parsons et al.	
8,092,319 B1	1/2012	Cackett et al.	D802,070 S	11/2017	Parsons et al.	
			D807,976 S	1/2018	Parsons et al.	

(56)

References Cited

U.S. PATENT DOCUMENTS

D827,067 S 8/2018 Becktor et al.
 D827,745 S 9/2018 Schweigert et al.
 D839,372 S 1/2019 Schweigert et al.
 D850,551 S * 6/2019 Parsons D21/759
 D921,787 S * 6/2021 Parsons D21/752
 D923,732 S * 6/2021 Parsons D21/752
 D926,901 S * 8/2021 Parsons D21/752
 D930,773 S * 9/2021 Parsons D21/752
 D930,774 S * 9/2021 Nicolette D21/752
 D930,775 S * 9/2021 Nicolette D21/752
 D933,148 S * 10/2021 Nicolette D21/752
 D933,150 S * 10/2021 Kroloff D21/752
 D938,535 S * 12/2021 Parsons D21/752
 D941,412 S * 1/2022 Parsons D21/752
 2002/0107087 A1 8/2002 Fagot
 2003/0139226 A1 7/2003 Cheng et al.
 2003/0176231 A1 9/2003 Hasebe
 2004/0204263 A1 10/2004 Fagot et al.
 2005/0009632 A1 1/2005 Schweigert et al.
 2005/0014573 A1 1/2005 Lee
 2005/0119066 A1 6/2005 Stites et al.
 2005/0239569 A1 10/2005 Best et al.
 2005/0277485 A1 12/2005 Hou et al.
 2006/0105856 A1 5/2006 Lo
 2006/0111200 A1 5/2006 Poynor
 2007/0032308 A1 2/2007 Fagot et al.
 2007/0225084 A1 9/2007 Schweigert et al.
 2007/0293344 A1 12/2007 Davis
 2008/0004133 A1 1/2008 Schweigert
 2008/0058113 A1 3/2008 Nicolette et al.
 2008/0188322 A1 8/2008 Anderson et al.
 2008/0300065 A1 12/2008 Schweigert
 2009/0029790 A1 1/2009 Nicolette et al.
 2009/0029795 A1 1/2009 Schweigert et al.
 2010/0130306 A1 5/2010 Schweigert
 2010/0144461 A1 6/2010 Ban
 2010/0178999 A1 7/2010 Nicolette et al.
 2011/0111883 A1 5/2011 Cackett
 2011/0143858 A1 6/2011 Peralta et al.
 2011/0165963 A1 7/2011 Cackett et al.

2011/0269567 A1 11/2011 Ban et al.
 2011/0294596 A1 12/2011 Ban
 2012/0202615 A1 8/2012 Beach et al.
 2013/0137532 A1 5/2013 Deshmukh et al.
 2013/0225319 A1 8/2013 Kato
 2013/0281226 A1 10/2013 Ban
 2013/0288823 A1 10/2013 Hebreo
 2013/0303303 A1 11/2013 Ban
 2013/0303304 A1 11/2013 Sato
 2013/0310192 A1 11/2013 Wahl et al.
 2014/0080621 A1 3/2014 Nicolette et al.
 2014/0128175 A1 5/2014 Jertson et al.
 2014/0274441 A1 9/2014 Greer
 2014/0274451 A1 9/2014 Knight et al.
 2015/0231454 A1 8/2015 Parsons et al.
 2015/0231806 A1 8/2015 Parsons et al.

OTHER PUBLICATIONS

Fairway woods search; pxg.com; Apr. 6, 2022.*
 International Search Report and Written Opinion Received in Connection With the Corresponding Application No. PCT/US15/42484, dated Oct. 19, 2015 (12 Pages).
 International Search Report and Written Opinion Received in Connection With the Corresponding Application No. PCT/US2015/016666, dated May 14, 2015 (8 Pages).
 International Search Report and Written Opinion Received in Connection With the Corresponding Application No. PCT/US2015/042282, dated Oct. 13, 2015 (12 Pages).
 Kozuchowski, Zak, "Callaway Mack Daddy 2 PM Grind Wedges" (<http://golfwrz.com/276203/callaway-mack-daddy-2-pm-grind-wedges/>), www.golfwrz.com, Golfwrz Holdings, LLC, Published Jan. 21, 2015.
 U.S. Appl. No. 29/512,313, Nicolette, "Gold Club Head," filed Dec. 18, 2018.
 Wall Jonathan, "Details: Phil's Prototype Mack Daddy PM-Grind Wedge," (<http://www.pgatour.com/equipmentreport/2015/01/21/callaway-wedge.html>), www.pgatour.com, PGA Tour, Inc., Published Jan. 21, 2015.

* cited by examiner

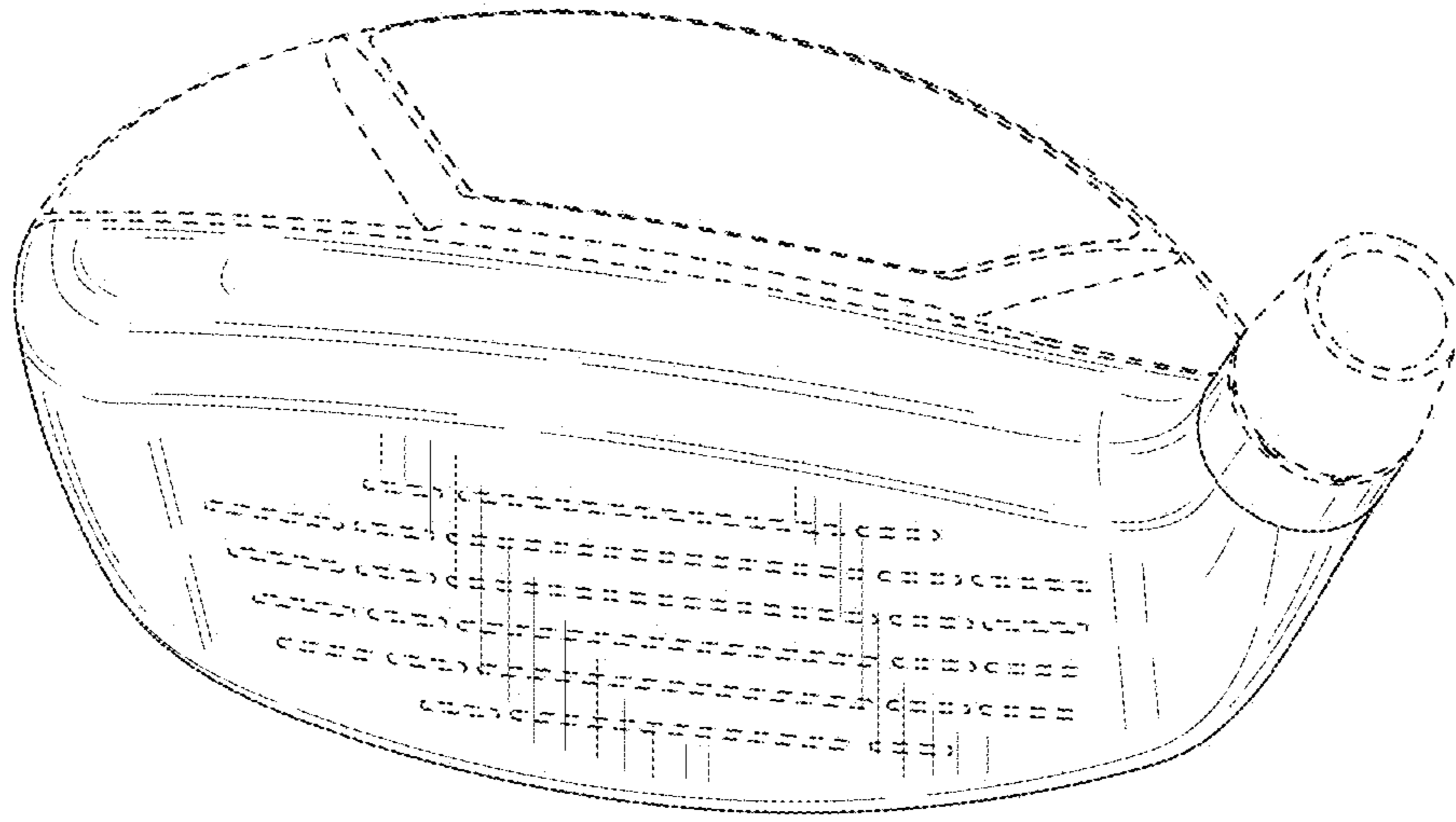


FIG. 1

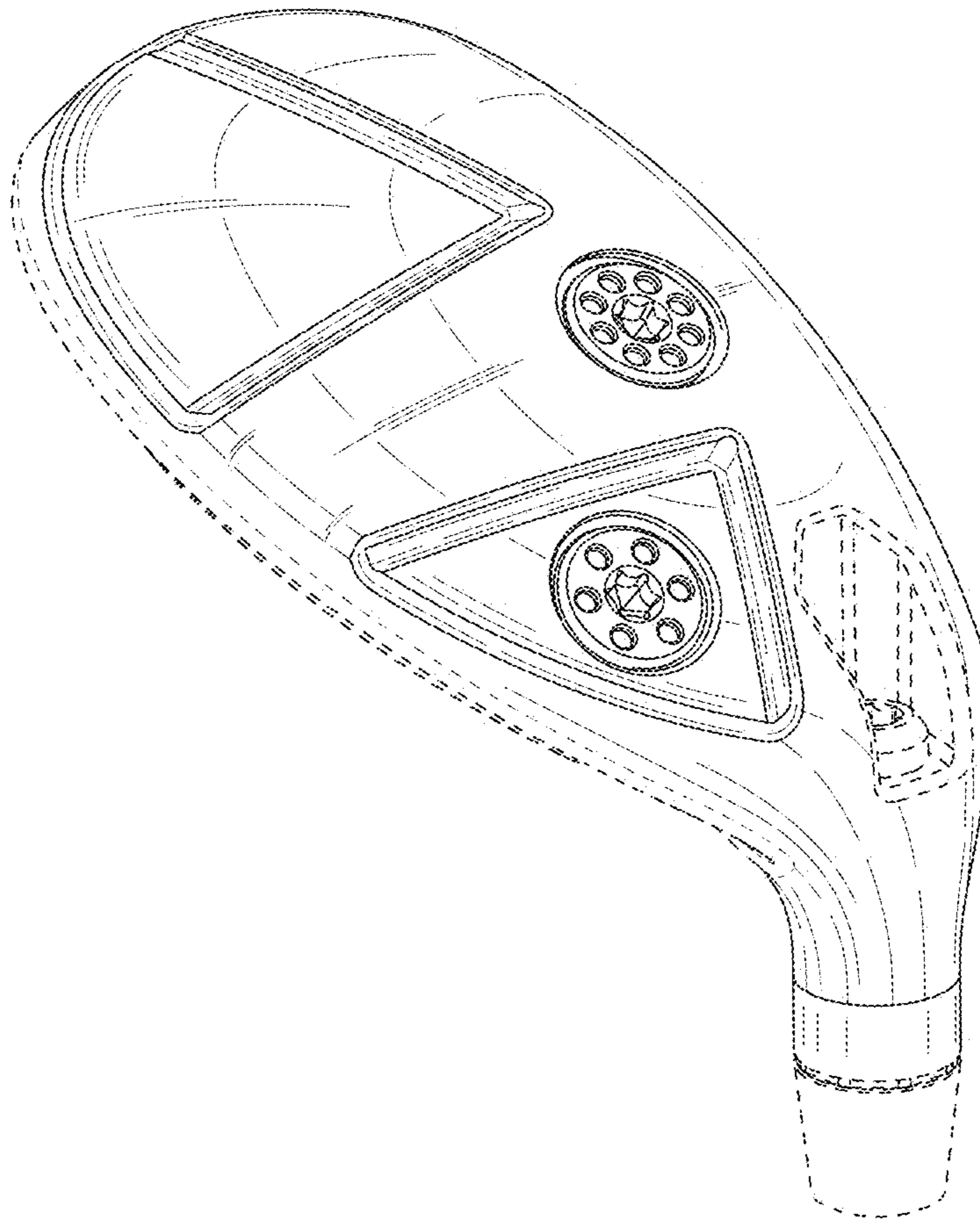


FIG. 2

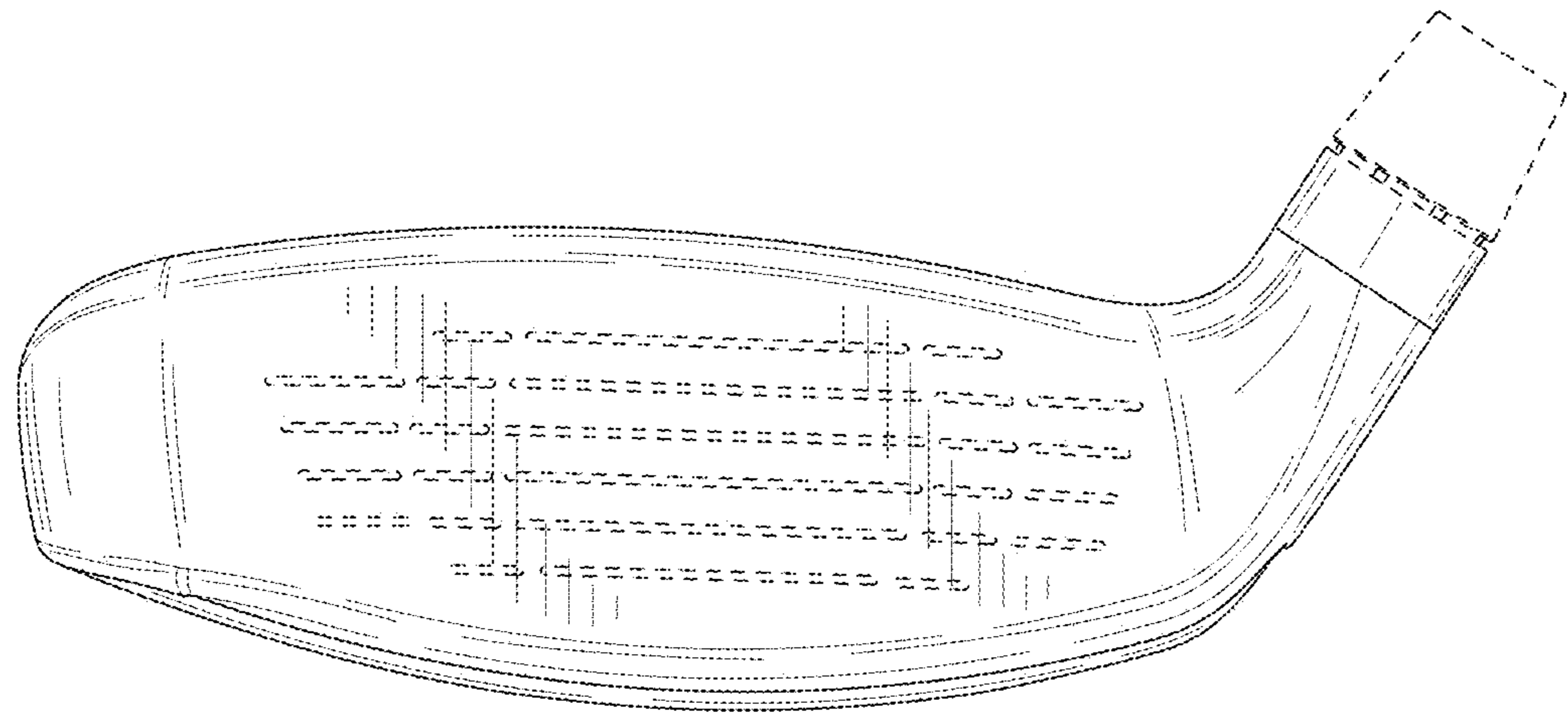


FIG. 3

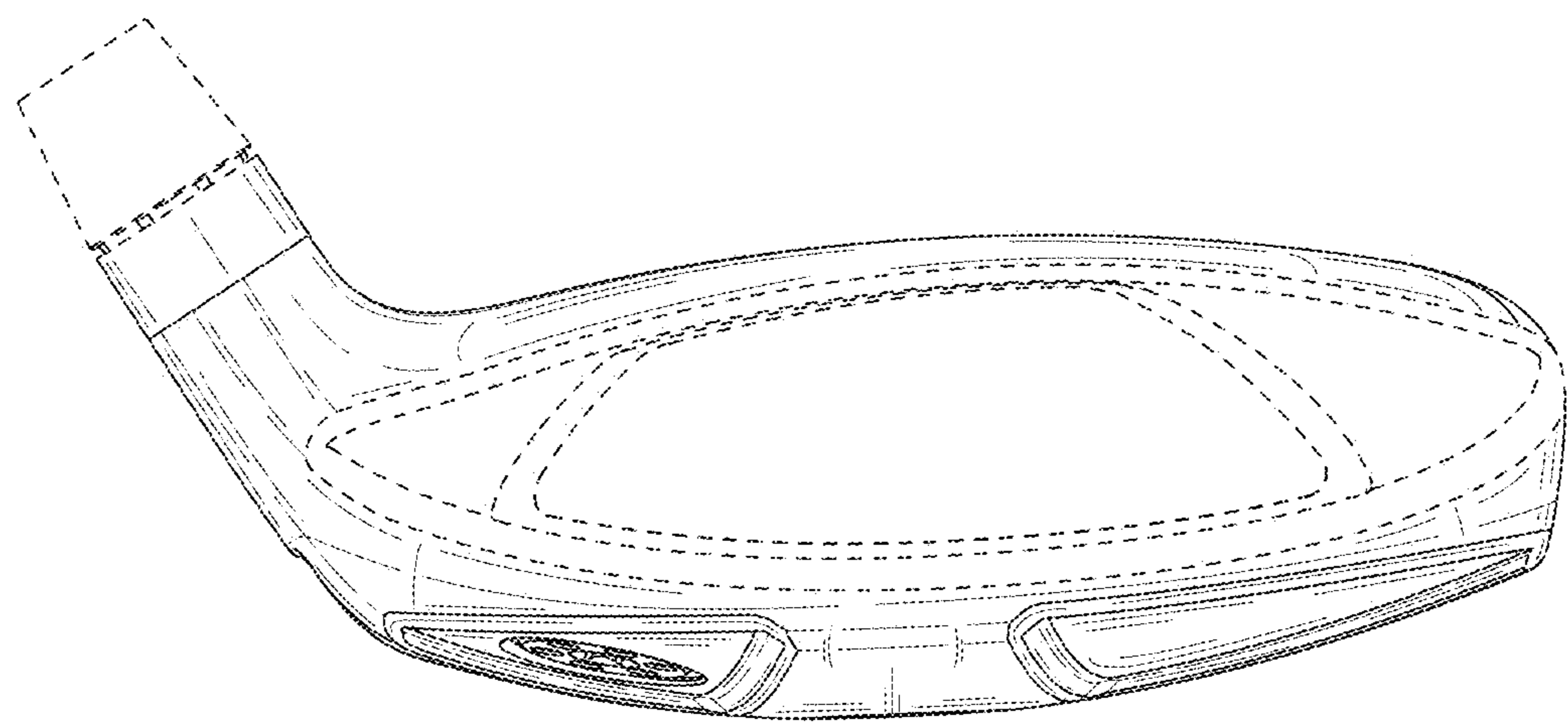


FIG. 4

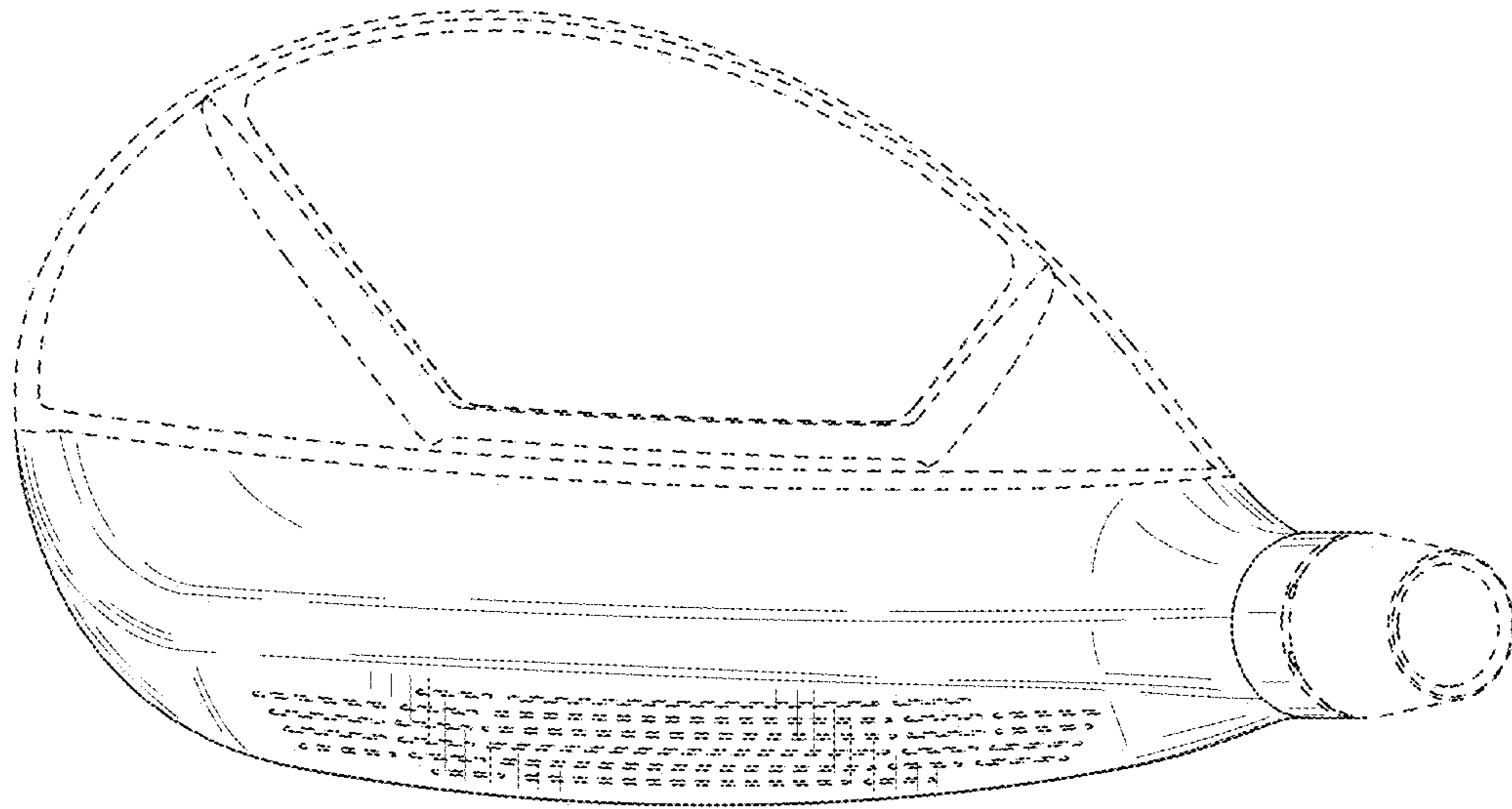


FIG. 5

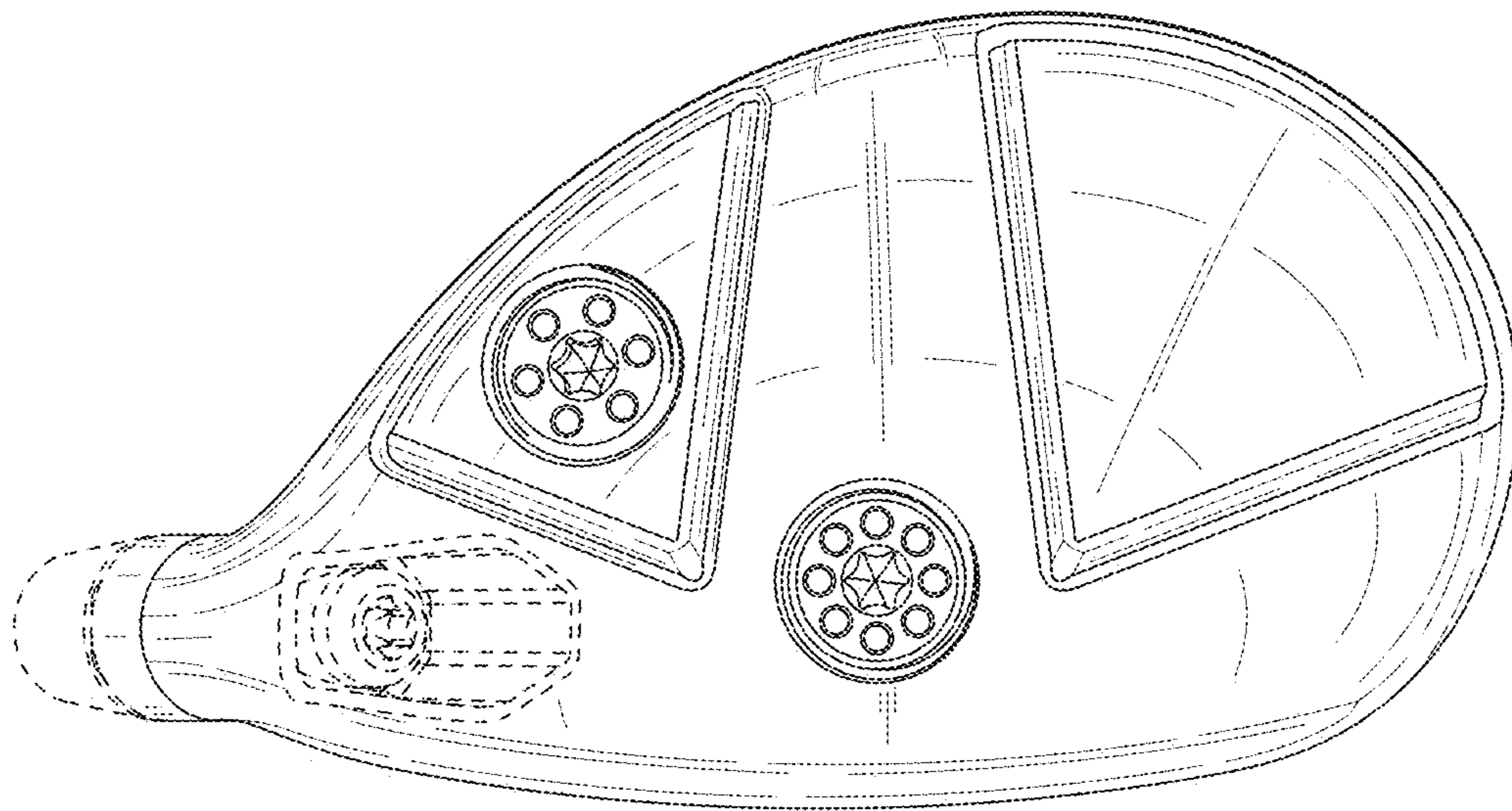


FIG. 6

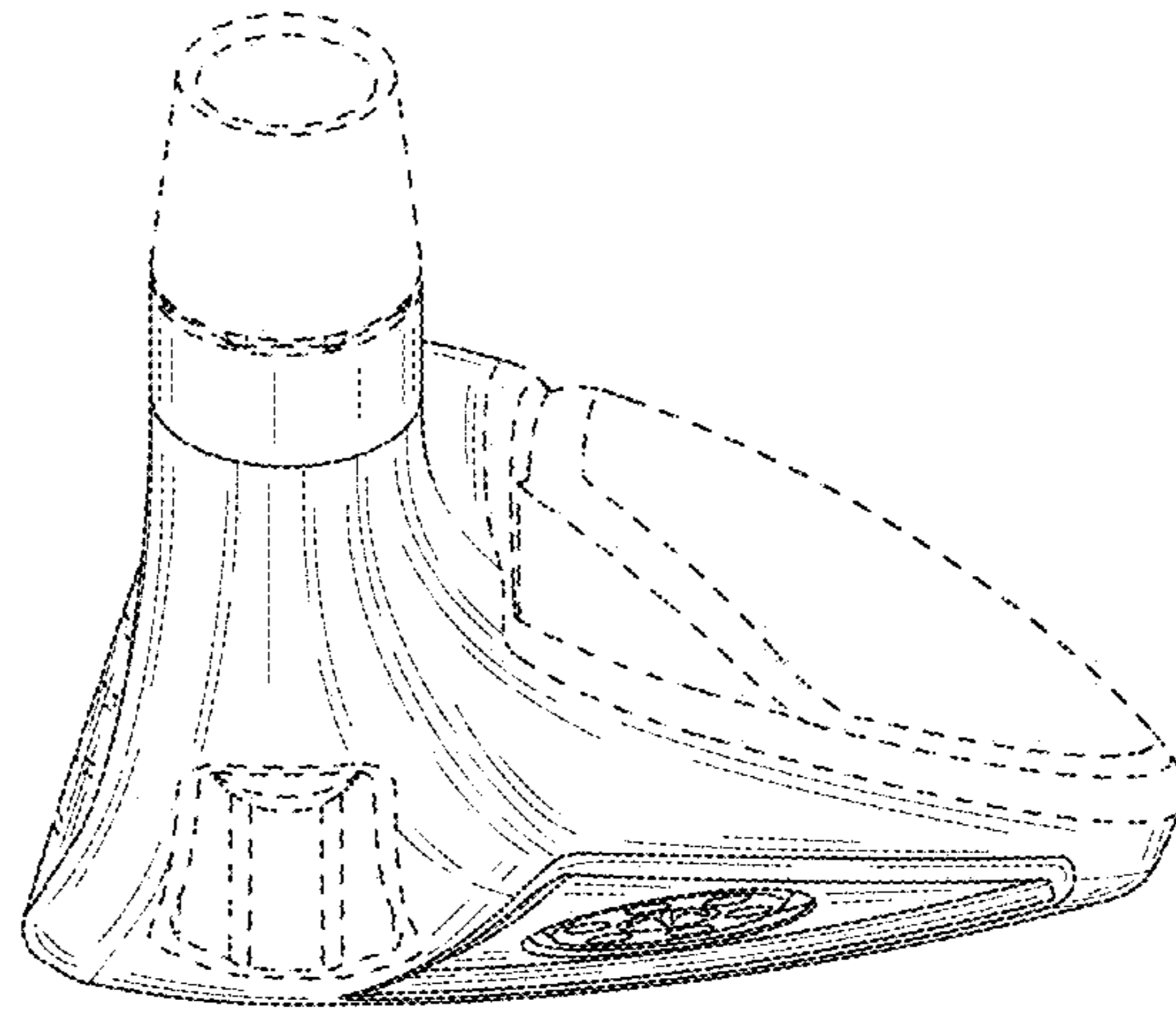


FIG. 7

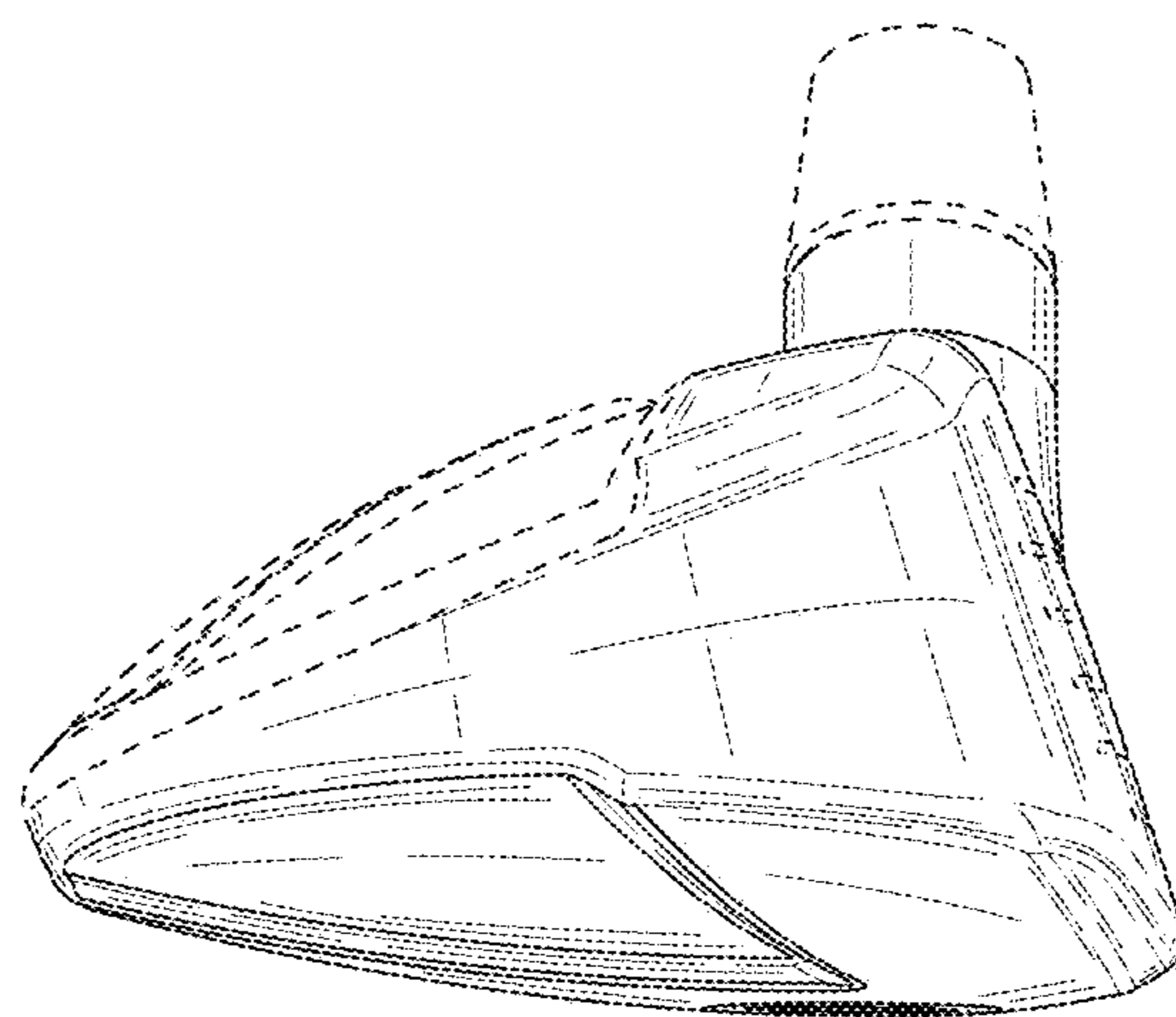


FIG. 8

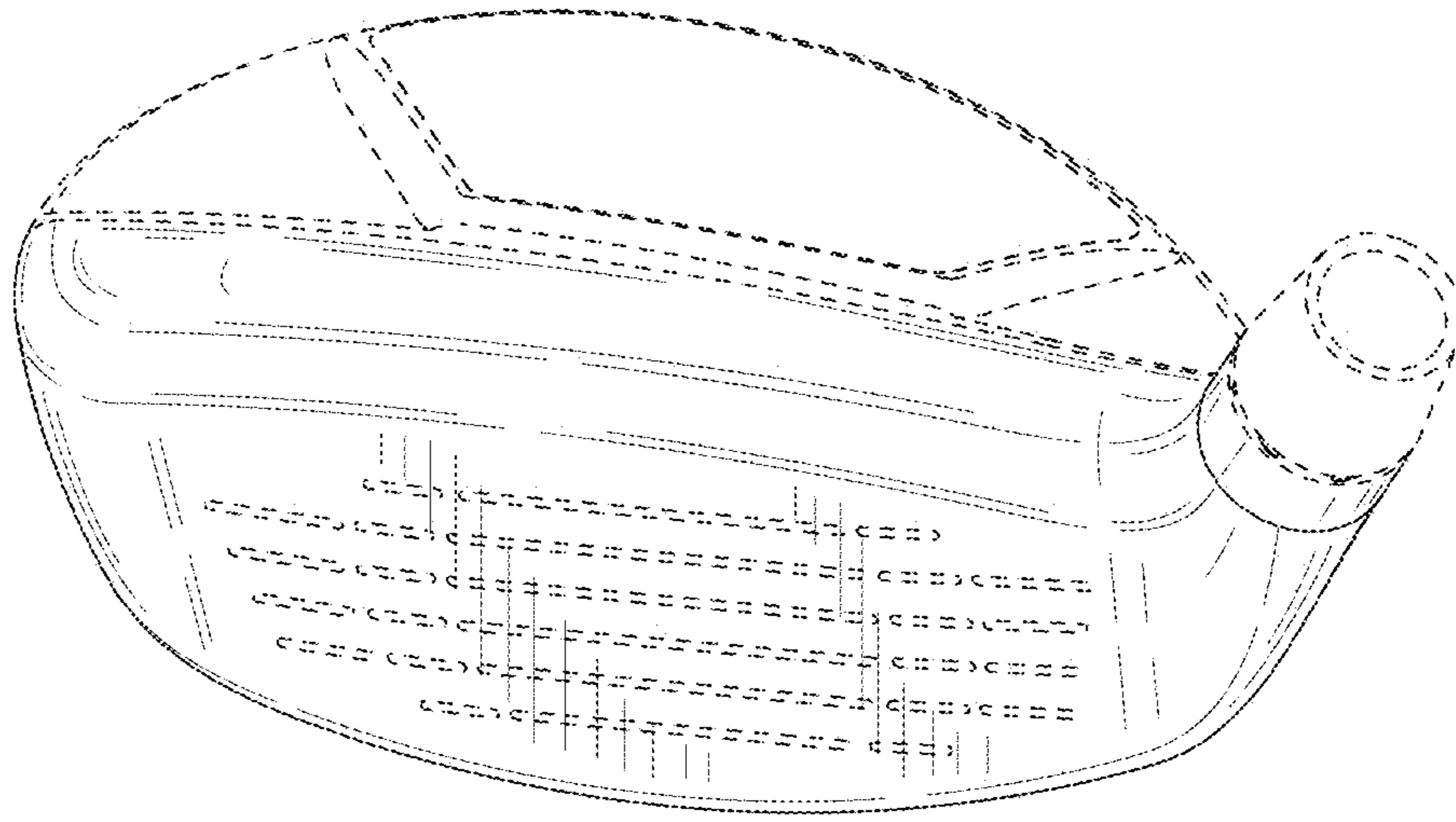


FIG. 9

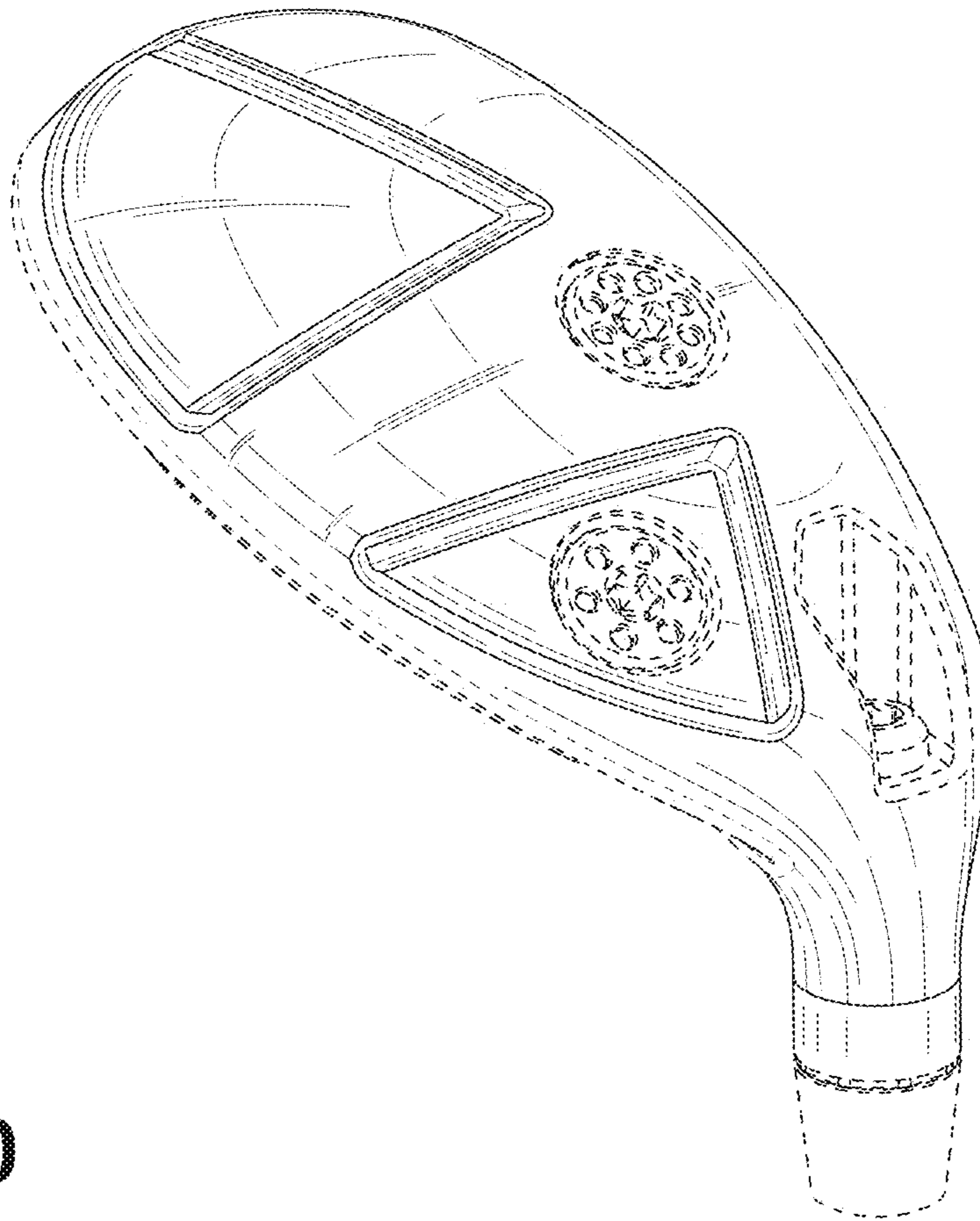


FIG. 10

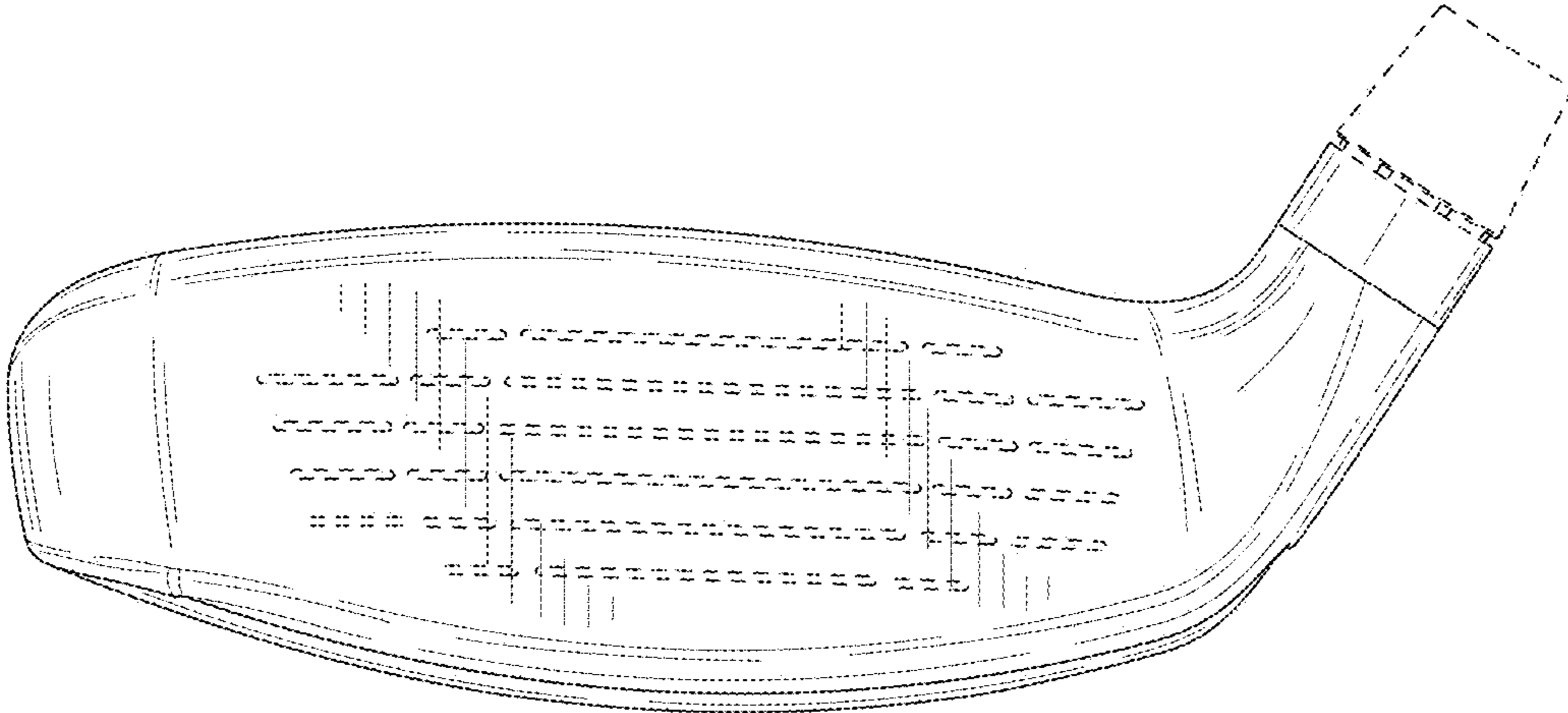


FIG. 11

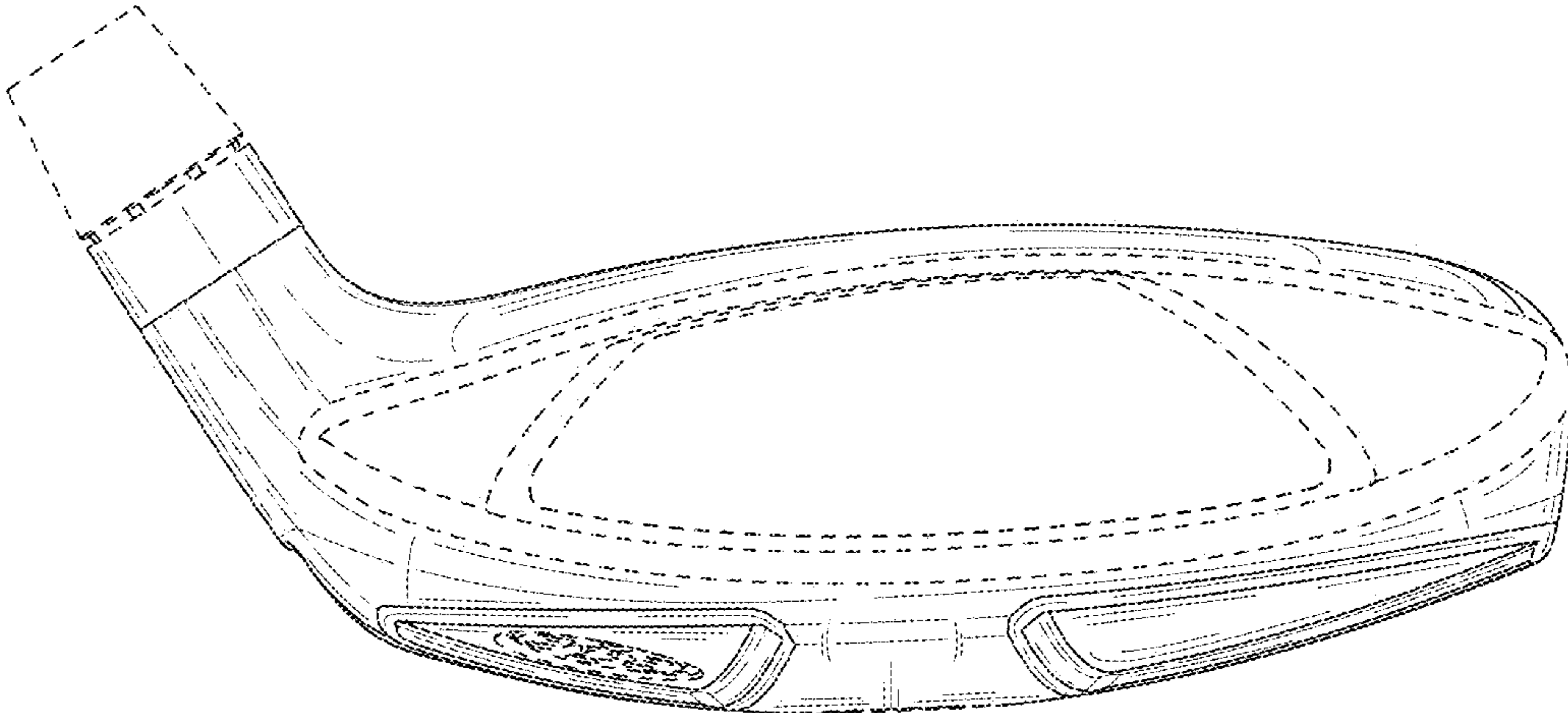


FIG. 12

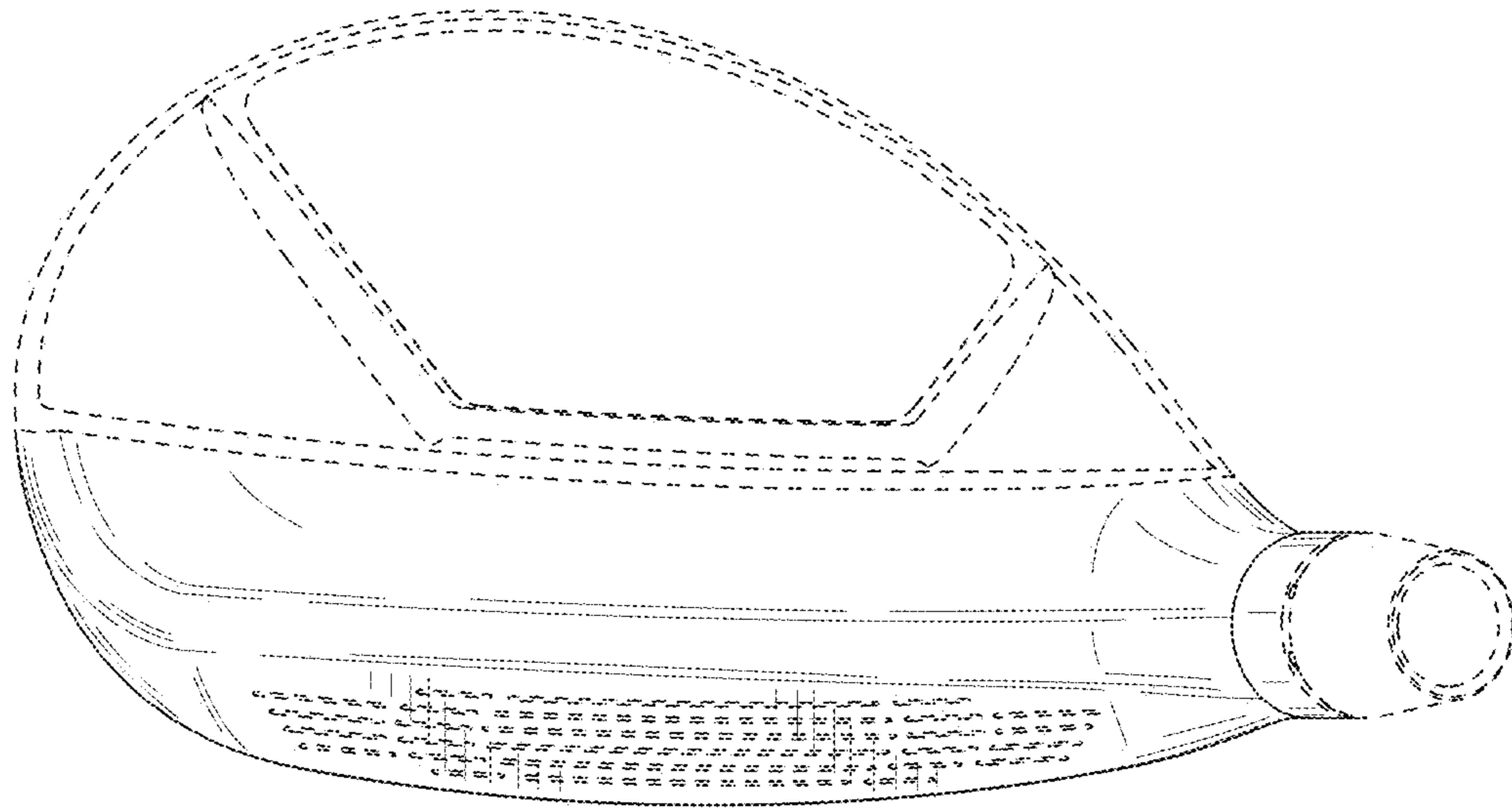


FIG. 13

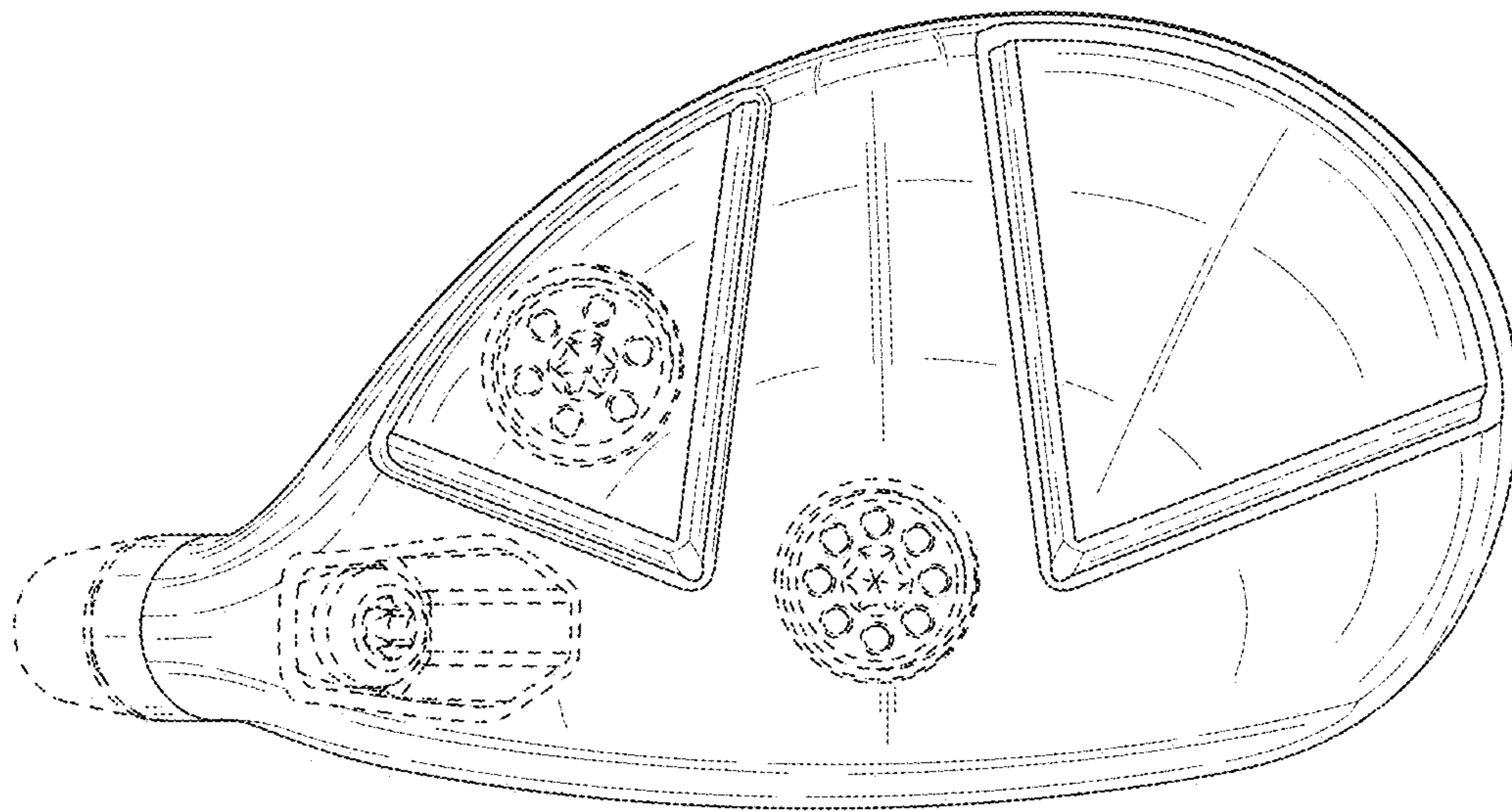


FIG. 14

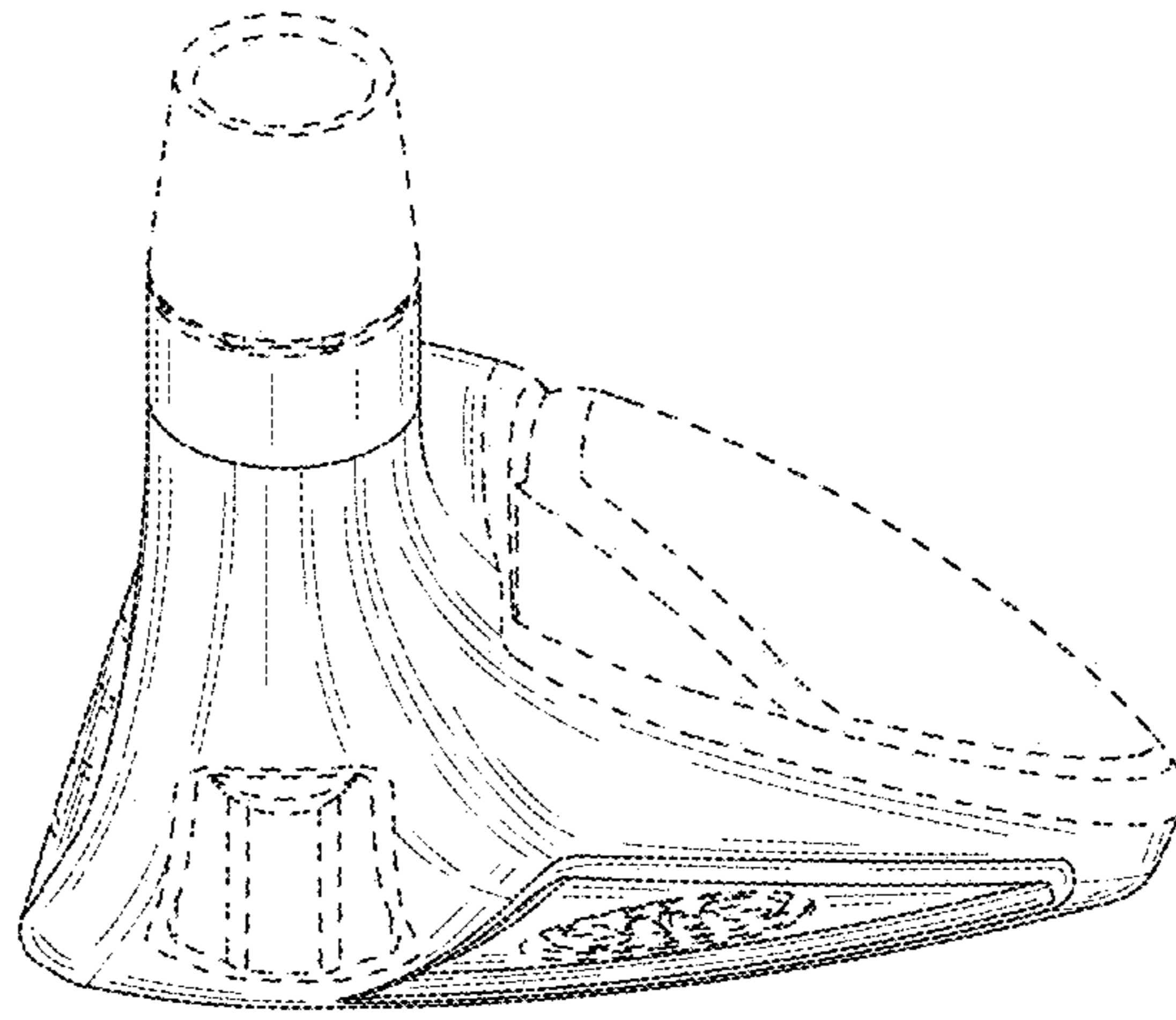


FIG. 15

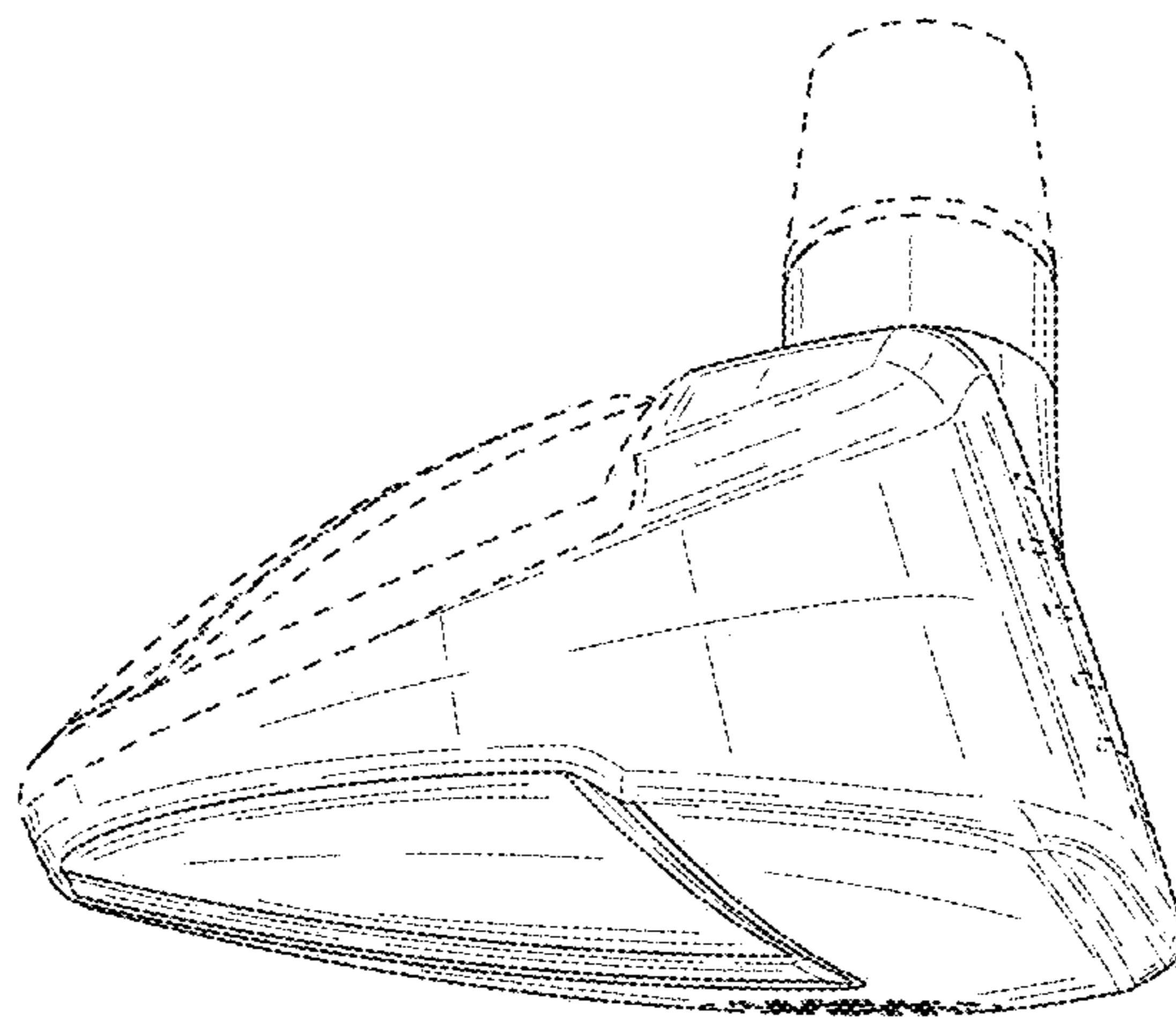


FIG. 16