



US00D954875S

(12) **United States Design Patent**
Parsons et al.

(10) **Patent No.:** **US D954,875 S**
(45) **Date of Patent:** **** Jun. 14, 2022**

- (54) **GOLF CLUB HEAD**
- (71) Applicant: **PARSONS XTREME GOLF, LLC**,
Scottsdale, AZ (US)
- (72) Inventors: **Robert R. Parsons**, Scottsdale, AZ
(US); **Matthew T. Andrews**, Tempe,
AZ (US)
- (73) Assignee: **PARSONS XTREME GOLF, LLC**,
Scottsdale, AZ (US)
- (**) Term: **15 Years**
- (21) Appl. No.: **29/755,703**
- (22) Filed: **Oct. 22, 2020**

4,869,507 A	9/1989	Sahm
4,964,641 A	10/1990	Miesch et al.
D313,451 S	1/1991	Shearer
D335,317 S	5/1993	Shearer
D335,692 S	5/1993	Antonious
D336,757 S	6/1993	Antonious
5,275,412 A	1/1994	Innes
D350,582 S	9/1994	Miansian et al.
5,390,919 A	2/1995	Stubbs et al.
D356,131 S	3/1995	Trimble
D360,444 S	7/1995	Takahashi et al.
5,429,366 A	7/1995	McCabe
D363,101 S	10/1995	Sturm
D364,665 S	11/1995	Goodrich
D365,864 S	1/1996	Sturm
5,489,097 A	2/1996	Simmons
D368,751 S	4/1996	Rife
D369,393 S	4/1996	Takahashi et al.
5,571,053 A	11/1996	Lane
D378,688 S	4/1997	Cameron
D380,514 S	7/1997	Markley
D385,609 S	10/1997	Cameron
5,683,307 A	11/1997	Rife
D388,143 S	12/1997	Huan-Chiang
D389,207 S	1/1998	Cameron
D398,685 S	9/1998	Masuda
5,807,190 A	9/1998	Krumme et al.
D399,290 S	10/1998	Sizemore, Jr.
D399,911 S	10/1998	Nicolette et al.
5,839,974 A	11/1998	McAllister
D405,836 S	2/1999	Nicolette et al.
D409,701 S	5/1999	Ashcraft et al.
D411,275 S	6/1999	Bottema et al.
5,924,938 A	7/1999	Hines
D415,809 S	10/1999	Bottema et al.
D416,062 S	11/1999	Solheim et al.
D416,969 S	11/1999	Solheim et al.
D416,970 S	11/1999	Solheim et al.
6,007,434 A	12/1999	Baker et al.
D421,473 S	3/2000	Solheim et al.
D422,655 S	4/2000	Hicks
6,050,903 A	4/2000	Lake
D426,276 S	6/2000	Besnard et al.
6,089,993 A	7/2000	Woodward et al.
D429,302 S	8/2000	Antonious
6,110,057 A	8/2000	McKinnon
D430,914 S	9/2000	Antonious
D431,853 S	10/2000	Antonious
D431,854 S	10/2000	Cameron
D432,192 S	10/2000	Hicks
D436,151 S	1/2001	Nicolette et al.
D437,374 S	2/2001	Cameron
D441,820 S	5/2001	Nicolette et al.

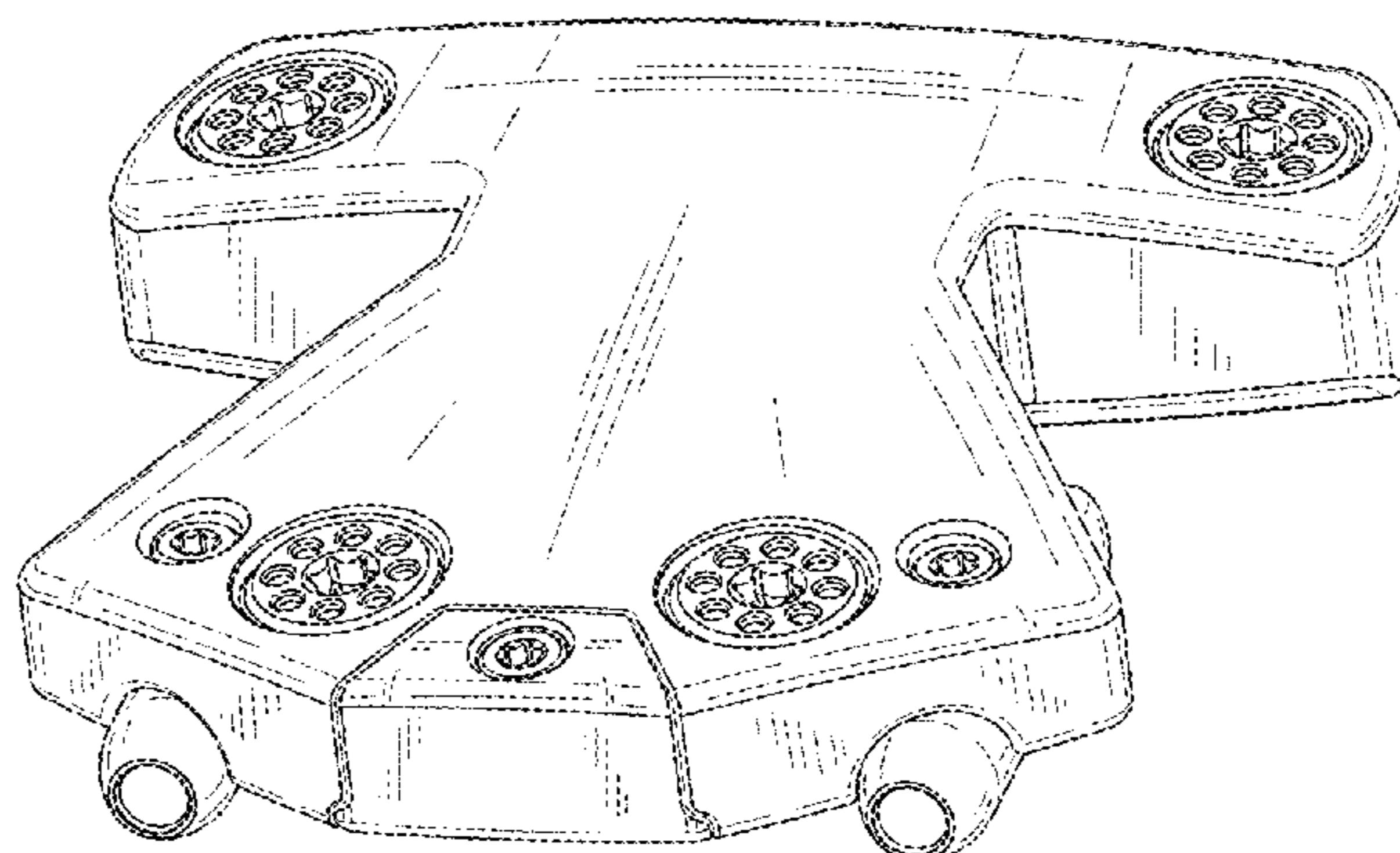
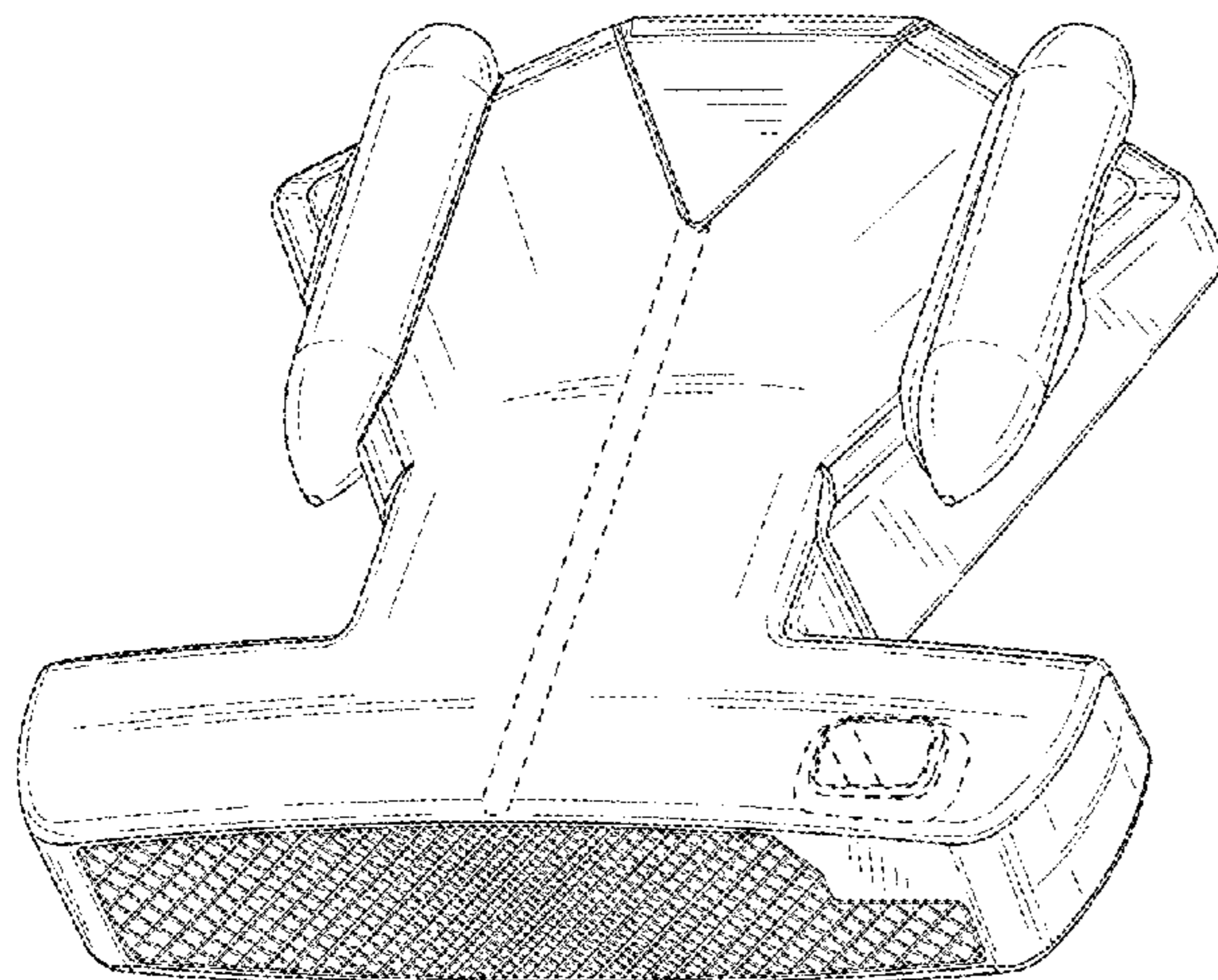
Related U.S. Application Data

- (63) Continuation-in-part of application No. 29/748,024,
filed on Aug. 26, 2020, now abandoned.
- (51) **LOC (13) Cl.** **21-02**
- (52) **U.S. Cl.**
USPC **D21/736**
- (58) **Field of Classification Search**
USPC D21/736-746, 759
CPC A63B 53/00; A63B 53/04; A63B 53/007;
A63B 53/065; A63B 53/0487; A63B
60/00; A63B 60/46
See application file for complete search history.

References Cited

U.S. PATENT DOCUMENTS

723,534 A	3/1903	Knight
922,444 A	5/1909	Youds
1,094,599 A	4/1914	Samson
D57,980 S	5/1921	Kraeuter
D63,284 S	11/1923	Challis
RE19,178 E	5/1934	Spiker
4,043,562 A	8/1977	Shillington
D248,783 S	8/1978	Long
4,340,230 A	7/1982	Churchward
D281,092 S	10/1985	Mills
4,754,977 A	7/1988	Sahm



US D954,875 S

D443,668 S	6/2001	Nicolette et al.	D633,964 S	3/2011	Teramoto
D443,905 S	6/2001	Nicolette et al.	7,909,707 B2	3/2011	Klein
D444,833 S	7/2001	Wells et al.	7,918,745 B2	4/2011	Morris et al.
D444,835 S	7/2001	Wahl et al.	7,927,226 B1	4/2011	Twitty
6,257,994 B1	7/2001	Antonious	D638,891 S	5/2011	Nicolette et al.
6,264,571 B1	7/2001	Lekavich	7,942,758 B2	5/2011	Nakamura
D449,664 S	10/2001	Beebe et al.	D639,369 S	6/2011	Miyamichi
D449,865 S	10/2001	Fife, Jr. et al.	D642,643 S	8/2011	Nicolette et al.
D450,799 S	11/2001	Nicolette et al.	D643,485 S	8/2011	Nicolette et al.
D451,973 S	12/2001	Wells et al.	D643,892 S	8/2011	McGrorty
6,348,014 B1	2/2002	Chiu	D645,104 S	9/2011	Nicolette et al.
6,354,959 B1	3/2002	Nicolette et al.	8,096,039 B2	1/2012	Soracco et al.
6,394,910 B1	5/2002	McCarthy	D653,718 S	2/2012	Stokke et al.
D472,949 S	4/2003	Serrano	8,109,841 B2	2/2012	Miyamichi
D474,821 S	5/2003	Wells et al.	D655,361 S	3/2012	Ramsauer
D474,949 S	5/2003	Schaffeld et al.	D661,753 S	6/2012	Cameron et al.
D482,087 S	11/2003	Burrows	D666,260 S	8/2012	Cynn
6,652,390 B2	11/2003	Bradford	D672,418 S	12/2012	Rollinson
D483,086 S	12/2003	Schweigert et al.	8,371,958 B2	2/2013	Treadwell
D486,539 S	2/2004	Burrows	8,376,878 B2	2/2013	Bennett et al.
D486,872 S	2/2004	Schweigert et al.	D688,339 S	8/2013	Hilton et al.
D488,200 S	4/2004	Olsavsky et al.	D688,341 S	8/2013	Rollinson
D490,487 S	5/2004	Burrows	D691,226 S	10/2013	Hilton et al.
D498,276 S	11/2004	Schweigert et al.	8,608,590 B2	12/2013	Hackel et al.
D500,823 S	1/2005	Aldrich	D699,308 S	2/2014	Rollinson
6,902,496 B2	6/2005	Solheim et al.	8,696,492 B1	4/2014	Hocknell et al.
6,902,498 B2	6/2005	Sullivan et al.	D704,782 S	5/2014	Rollinson
D511,801 S	11/2005	Garcia	8,721,472 B2	5/2014	Kuan et al.
D512,114 S	11/2005	Garcia	8,790,193 B2	7/2014	Serrano et al.
D512,116 S	11/2005	Mirafior et al.	D711,483 S	8/2014	Wong
6,988,955 B2	1/2006	Stoakes	D715,388 S	10/2014	Serrano et al.
6,988,956 B2	1/2006	Cover et al.	D722,350 S	2/2015	Schweigert
D520,088 S	5/2006	Parr	D722,351 S	2/2015	Parsons et al.
D531,242 S	10/2006	Adams	D722,352 S	2/2015	Nicolette et al.
7,125,341 B1	10/2006	D'Eath	D723,120 S	2/2015	Nicolette
D532,067 S	11/2006	Soracco et al.	D724,164 S	3/2015	Schweigert et al.
7,153,220 B2	12/2006	Lo	D725,208 S	3/2015	Schweigert
D534,595 S	1/2007	Hasebe	D726,265 S	4/2015	Nicolette
7,156,752 B1	1/2007	Bennett	D726,846 S	4/2015	Schweigert
D536,401 S	2/2007	Kawami	D730,462 S	5/2015	Becktor et al.
D536,403 S	2/2007	Kawami	D732,122 S	6/2015	Becktor
D537,898 S	3/2007	Kuan et al.	D732,618 S	6/2015	Becktor et al.
D538,371 S	3/2007	Kawami	D733,234 S	6/2015	Nicolette
7,204,765 B2	4/2007	Cover et al.	D735,283 S	7/2015	Solheim et al.
D542,869 S	5/2007	Adams	9,108,088 B2	8/2015	Serrano et al.
D543,598 S	5/2007	Kuan et al.	D738,447 S	9/2015	Schweigert
D543,601 S	5/2007	Kawami	D738,449 S	9/2015	Schweigert
D555,219 S	11/2007	Lin	D739,487 S	9/2015	Schweigert
D556,277 S	11/2007	Broom	D741,426 S	10/2015	Schweigert
7,309,297 B1	12/2007	Solari	D746,926 S	1/2016	Parsons et al.
D561,854 S	2/2008	Morris	D748,213 S	1/2016	Parsons et al.
7,331,876 B2	2/2008	Klein	D748,215 S	1/2016	Parsons et al.
7,351,162 B2	4/2008	Soracco et al.	9,233,283 B2	1/2016	Schweigert
D569,461 S	5/2008	Morris	9,265,996 B1	2/2016	Abbott et al.
D569,930 S	5/2008	Nehrbas	D752,697 S	3/2016	Claveran
7,396,289 B2	7/2008	Soracco et al.	D753,252 S	4/2016	Schweigert
D577,085 S	9/2008	Nicolette et al.	9,440,124 B2	9/2016	Parsons et al.
D577,086 S	9/2008	Nicolette et al.	9,498,685 B2	11/2016	Abbott et al.
D579,506 S	10/2008	Nicolette et al.	9,566,484 B1	2/2017	Abbott et al.
D579,995 S	11/2008	Nicolette et al.	D783,745 S *	4/2017	Chen D21/743
D582,497 S	12/2008	Rollinson	D791,891 S	7/2017	Davis
7,473,189 B2	1/2009	Schweigert et al.	D794,146 S	8/2017	Davis
7,491,131 B2	2/2009	Vinton	D798,975 S	10/2017	Becktor
D594,921 S	6/2009	Bettinardi	D798,976 S	10/2017	Becktor
D595,793 S	7/2009	Rollinson	D798,977 S	10/2017	Becktor
D599,425 S	9/2009	Laub	D798,978 S	10/2017	Becktor
D599,867 S	9/2009	Teramoto	D798,979 S	10/2017	Becktor
D600,763 S	9/2009	Cameron	D798,980 S	10/2017	Becktor
D601,214 S	9/2009	Serrano et al.	D798,981 S	10/2017	Becktor et al.
D606,140 S *	12/2009	Ramsauer D21/743	D799,619 S	10/2017	Becktor et al.
D606,141 S *	12/2009	Ramsauer D21/743	D802,073 S	11/2017	Toulon
D606,142 S *	12/2009	Ramsauer D21/743	D812,163 S	3/2018	Kroloff
D607,951 S	1/2010	Teramoto	9,987,530 B2	6/2018	Jertson et al.
7,744,485 B2	6/2010	Jones et al.	D835,217 S *	12/2018	Nicolette D21/736
D620,993 S	8/2010	Laub	10,173,105 B2	1/2019	Myers et al.
D621,461 S	8/2010	Serrano et al.	D839,977 S	2/2019	Rollinson et al.
D623,709 S	9/2010	Serrano et al.	D844,085 S *	3/2019	Nicolette D21/743
D631,925 S	2/2011	Broom	D844,723 S *	4/2019	Nicolette D21/743
7,887,432 B2	2/2011	Jones et al.	10,493,331 B2 *	12/2019	Kroloff A63B 60/42

D877,831	S	*	3/2020	Cameron	D21/736
D893,655	S	*	8/2020	Schweigert	D21/759
10,737,153	B2	*	8/2020	Schweigert	A63B 53/0487
D907,730	S	*	1/2021	Rollinson	D21/759
D909,504	S	*	2/2021	Schweigert	D21/736
D909,505	S	*	2/2021	Schweigert	D21/736
D909,506	S	*	2/2021	Schweigert	D21/736
D910,789	S	*	2/2021	Schweigert	D21/736
D910,790	S	*	2/2021	Schweigert	D21/736
D913,388	S	*	3/2021	Nicolette	D21/736
D913,389	S	*	3/2021	Schweigert	D21/736
D919,722	S	*	5/2021	Parsons	D21/736
D923,729	S	*	6/2021	Nicolette	D21/736
D924,345	S	*	7/2021	Nicolette	D21/736
D924,346	S	*	7/2021	Nicolette	D21/736
D925,673	S	*	7/2021	Parsons	D21/736
D926,898	S	*	8/2021	Schweigert	D21/736
D927,619	S	*	8/2021	Andrews	D21/736
D927,622	S	*	8/2021	Schweigert	D21/759
D928,259	S	*	8/2021	Andrews	D21/736
D928,263	S	*	8/2021	Schweigert	D21/759
D931,962	S	*	9/2021	Wang	D21/743
D934,969	S	*	11/2021	Toulon	D21/736
D945,542	S	*	3/2022	Andrews	D21/736
2004/0138003	A1		7/2004	Grace		
2004/0180730	A1		9/2004	Franklin et al.		
2006/0052178	A1		3/2006	Franklin et al.		
2006/0094522	A1		5/2006	Tang et al.		
2006/0223649	A1	*	10/2006	Rife	A63B 60/02 473/340
2007/0129163	A1		6/2007	Solari		
2007/0135229	A1		6/2007	Lo et al.		
2007/0142122	A1		6/2007	Bonneau		
2007/0207875	A1		9/2007	Kuan et al.		
2007/0238548	A1		10/2007	Johnson		
2008/0139333	A1		6/2008	Klein		
2008/0146372	A1		6/2008	John		
2008/0176672	A1		7/2008	Roach et al.		
2009/0029800	A1		1/2009	Jones et al.		
2010/0255922	A1		10/2010	Lueders		
2011/0165959	A1		7/2011	Klein		
2013/0165256	A1		6/2013	Stevenson		
2013/0210537	A1		8/2013	Ainscough et al.		
2015/0057100	A1		2/2015	Serrano et al.		
2015/0258390	A1		9/2015	DeFrancesco, Jr.		
2015/0306477	A1		10/2015	Parsons et al.		
2016/0016050	A1		1/2016	Rife		
2016/0346649	A1		12/2016	Jertson et al.		
2018/0001163	A1		1/2018	Becktor et al.		
2018/0311545	A1	*	11/2018	Lambeth	A63B 53/0487
2019/0175995	A1	*	6/2019	Kroloff	A63B 53/0433
2019/0175996	A1	*	6/2019	Kroloff	A63B 53/0487
2020/0061421	A1	*	2/2020	Kroloff	A63B 53/04

FOREIGN PATENT DOCUMENTS

JP	2004223184	A	8/2004
JP	2005160691	A	6/2005
KR	200377377	Y1	3/2005
KR	200403045	Y1	12/2005
KR	20100065481	A	6/2010
KR	101773069	B1	8/2017

OTHER PUBLICATIONS

Pxg putter google search; google.com; Apr. 15, 2022.*
 Plugged In Golf (2015 Bettinardi Putters Review) [online]. Mar. 3, 2015, [retrieve Nov. 25, 2019].
 TourSpecGolf (Gold's Factory Multi Weighted Custom Putter), Published Nov. 20, 2010 [http://blog.toursecgolf.com/golds-factory-multi-weighted-custom-putter/], Retrieved May 17, 2020.
 U.S. Appl. No. 29/523,587, Schweigert, "Golf Club Head," filed Apr. 10, 2015.

* cited by examiner

Primary Examiner — Mitchell I. Siegel

(57) CLAIM

The ornamental design for a golf club head, as shown and described.

DESCRIPTION

FIG. 1 is a top perspective view of a golf club head;
 FIG. 2 is a bottom perspective view of the golf club head of FIG. 1;
 FIG. 3 is a front elevational view of the golf club head of FIG. 1;
 FIG. 4 is a rear elevational view of the golf club head of FIG. 1;
 FIG. 5 is a top view of the golf club head of FIG. 1;
 FIG. 6 is a bottom view of the golf club head of FIG. 1;
 FIG. 7 is a left side view of the golf club head of FIG. 1;
 FIG. 8 is a right side view of the golf club head of FIG. 1;
 FIG. 9 is a top perspective view of a second embodiment of the golf club head of FIG. 1;
 FIG. 10 is a bottom perspective view of the golf club head of FIG. 9;
 FIG. 11 is a front elevational view of the golf club head of FIG. 9;
 FIG. 12 is a rear elevational view of the golf club head of FIG. 9;
 FIG. 13 is a top view of the golf club head of FIG. 9;
 FIG. 14 is a bottom view of the golf club head of FIG. 9;
 FIG. 15 is a left side view of the golf club head of FIG. 9;
 FIG. 16 is a right side view of the golf club head of FIG. 9;
 FIG. 17 is a top perspective view of a third embodiment of the golf club head of FIG. 1;
 FIG. 18 is a bottom perspective view of the golf club head of FIG. 17;
 FIG. 19 is a front elevational view of the golf club head of FIG. 17;
 FIG. 20 is a rear elevational view of the golf club head of FIG. 17;
 FIG. 21 is a top view of the golf club head of FIG. 17;
 FIG. 22 is a bottom view of the golf club head of FIG. 17;
 FIG. 23 is a left side view of the golf club head of FIG. 17;
 FIG. 24 is a right side view of the golf club head of FIG. 17;
 FIG. 25 is a top perspective view of a fourth embodiment of the golf club head of FIG. 1;
 FIG. 26 is a bottom perspective view of the golf club head of FIG. 25;
 FIG. 27 is a front elevational view of the golf club head of FIG. 25;
 FIG. 28 is a rear elevational view of the golf club head of FIG. 25;
 FIG. 29 is a top view of the golf club head of FIG. 25;
 FIG. 30 is a bottom view of the golf club head of FIG. 25;
 FIG. 31 is a left side view of the golf club head of FIG. 25;
 FIG. 32 is a right side view of the golf club head of FIG. 25;
 FIG. 33 is a top perspective view of a fifth embodiment of the golf club head of FIG. 1;
 FIG. 34 is a bottom perspective view of the golf club head of FIG. 33;
 FIG. 35 is a front elevational view of the golf club head of FIG. 33;
 FIG. 36 is a rear elevational view of the golf club head of FIG. 33;
 FIG. 37 is a top view of the golf club head of FIG. 33;
 FIG. 38 is a bottom view of the golf club head of FIG. 33;
 FIG. 39 is a left side view of the golf club head of FIG. 33;
 and,

FIG. 40 is a right side view of the golf club head of FIG. 33. The broken lines shown on the drawings form no part of the claimed design.

1 Claim, 20 Drawing Sheets

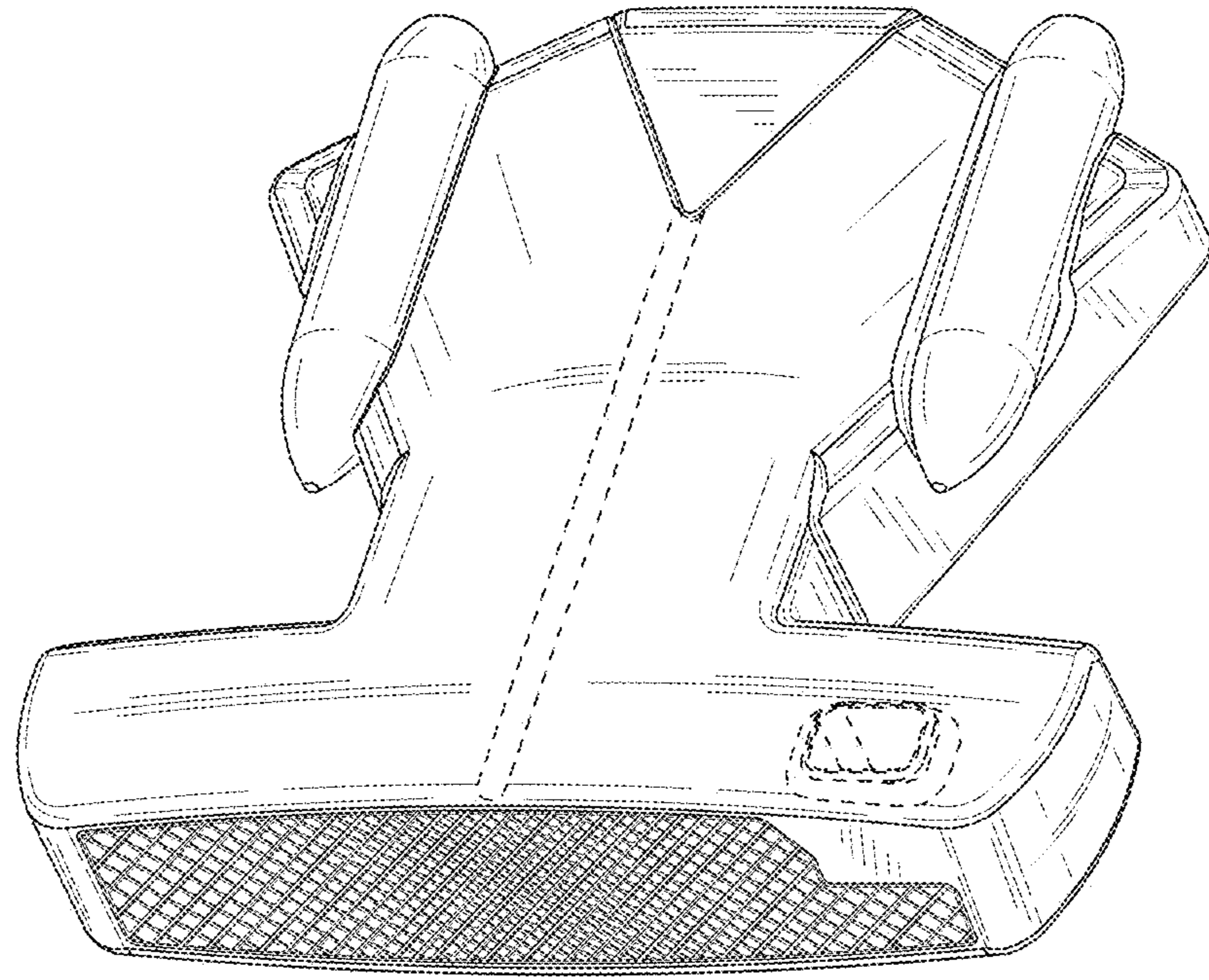


FIG. 1

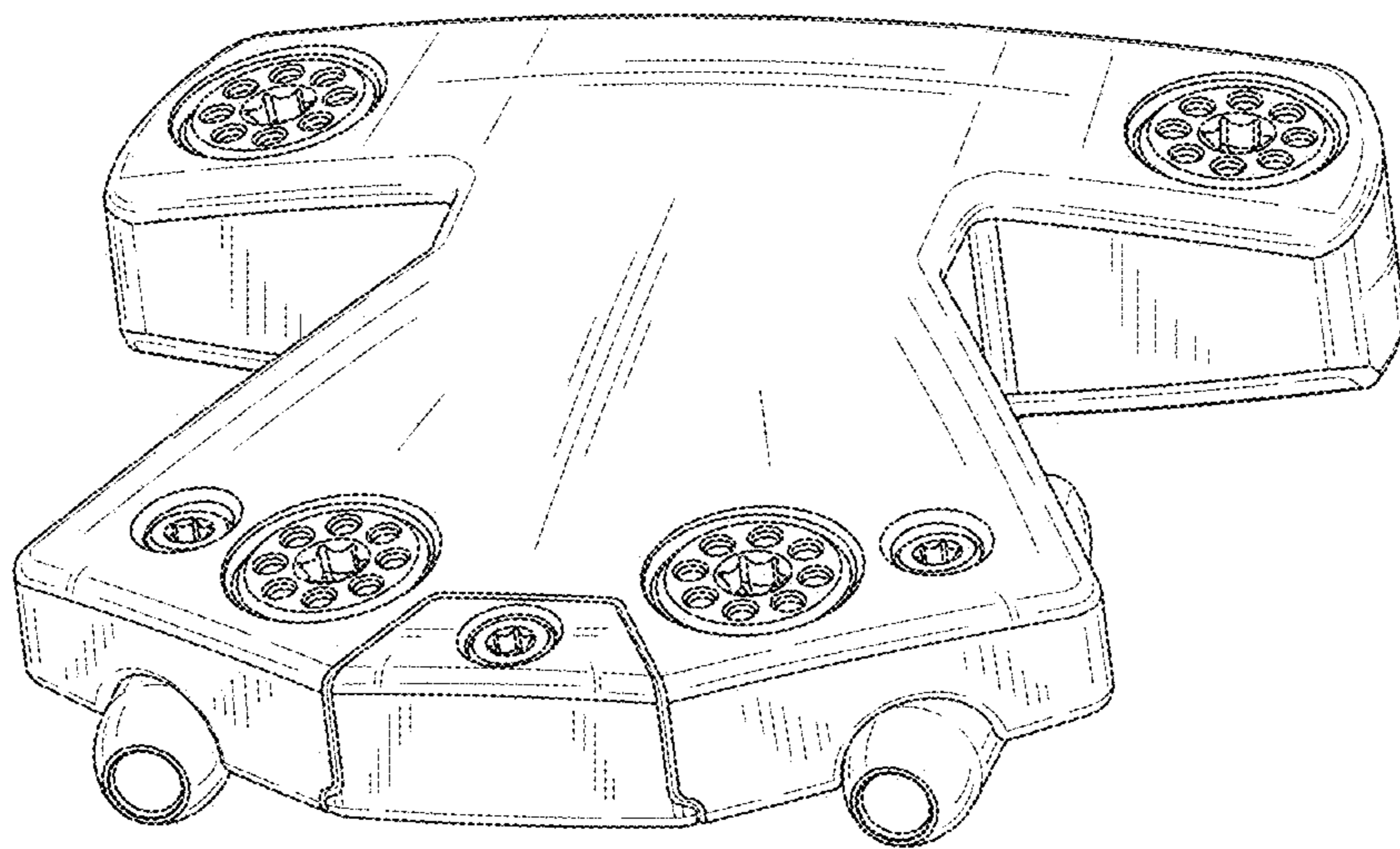


FIG. 2

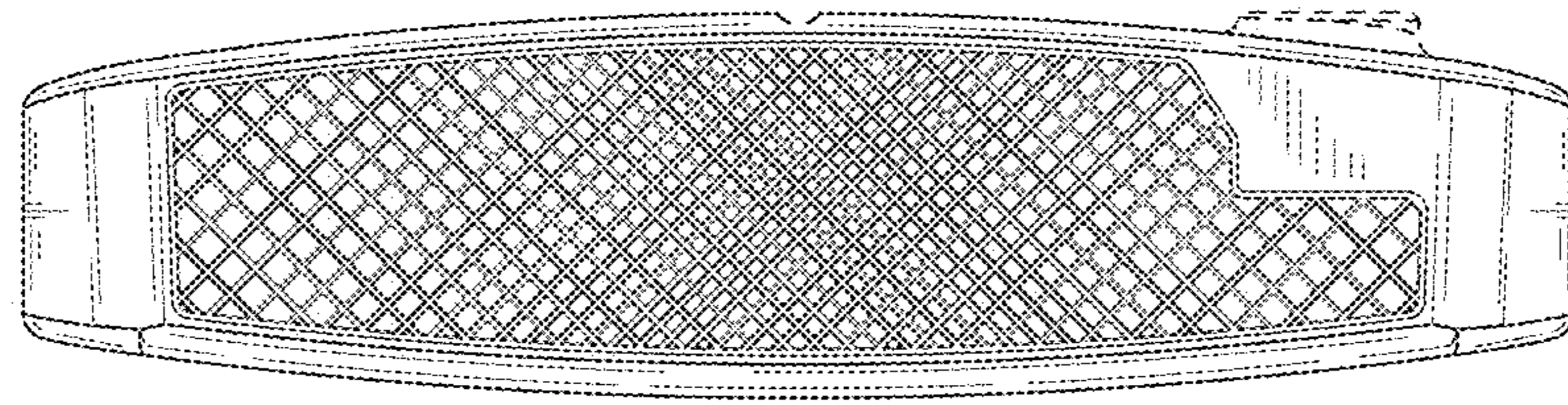


FIG. 3

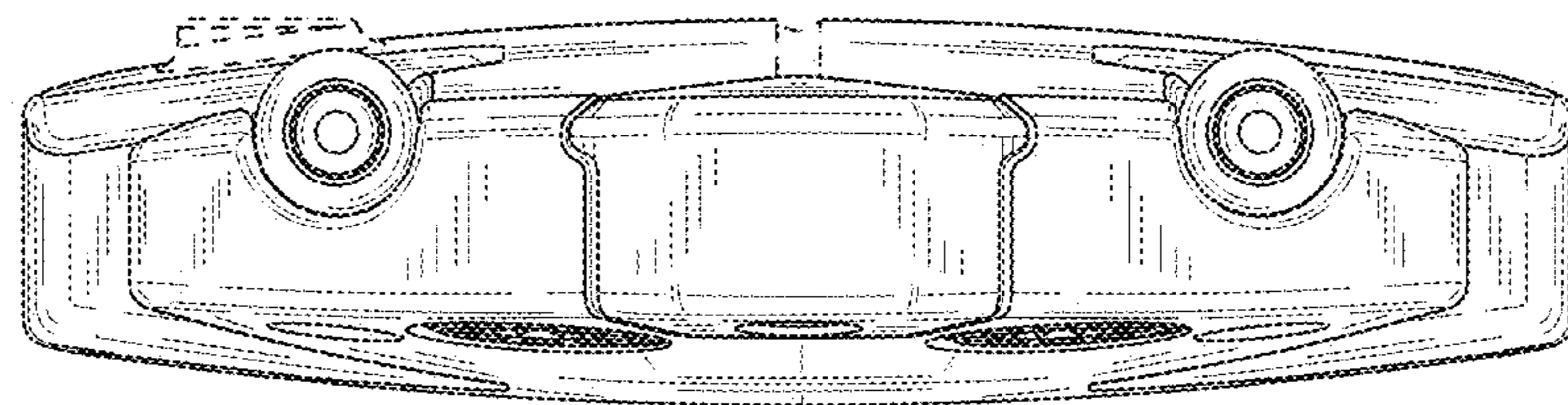


FIG. 4

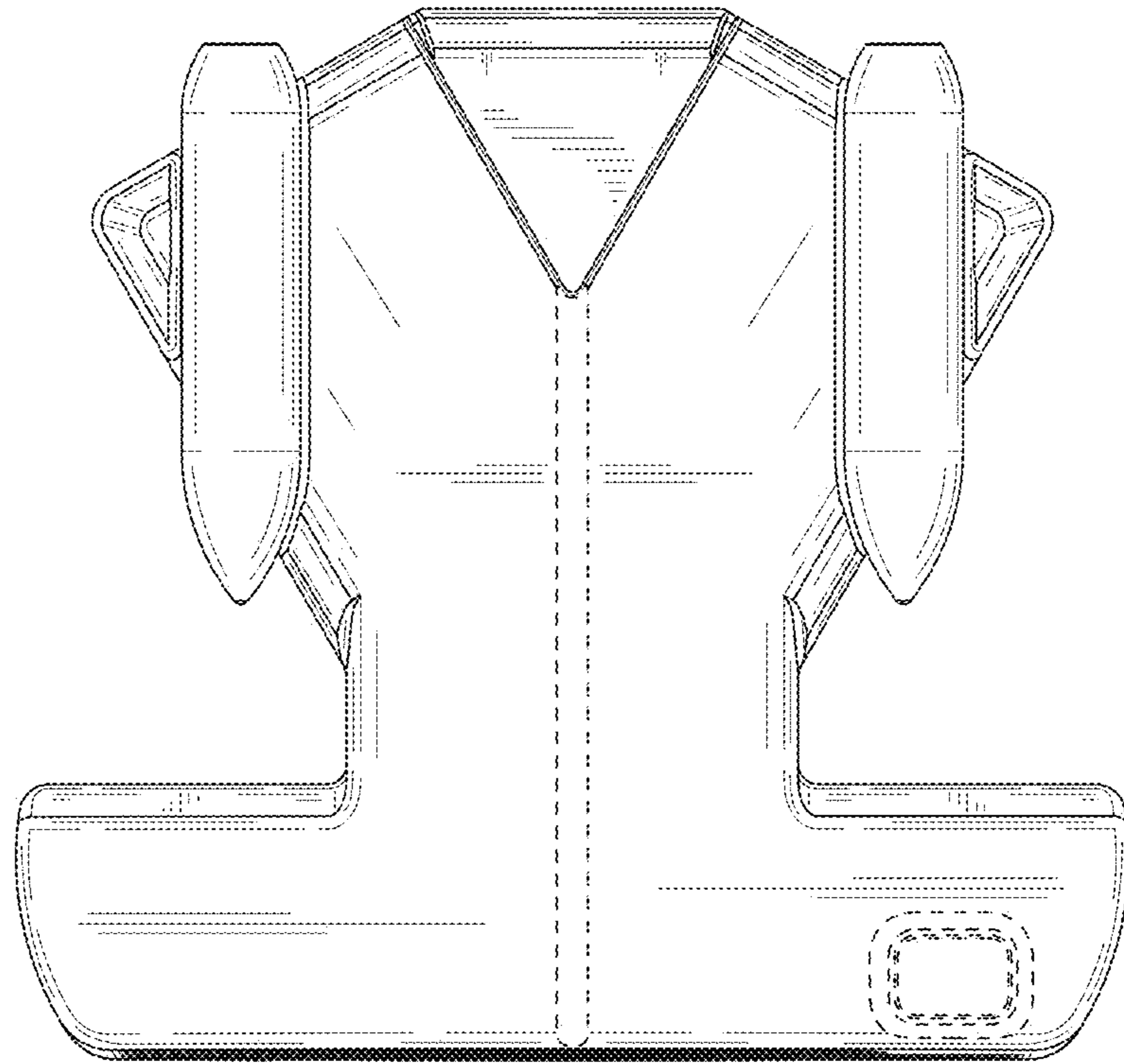


FIG. 5

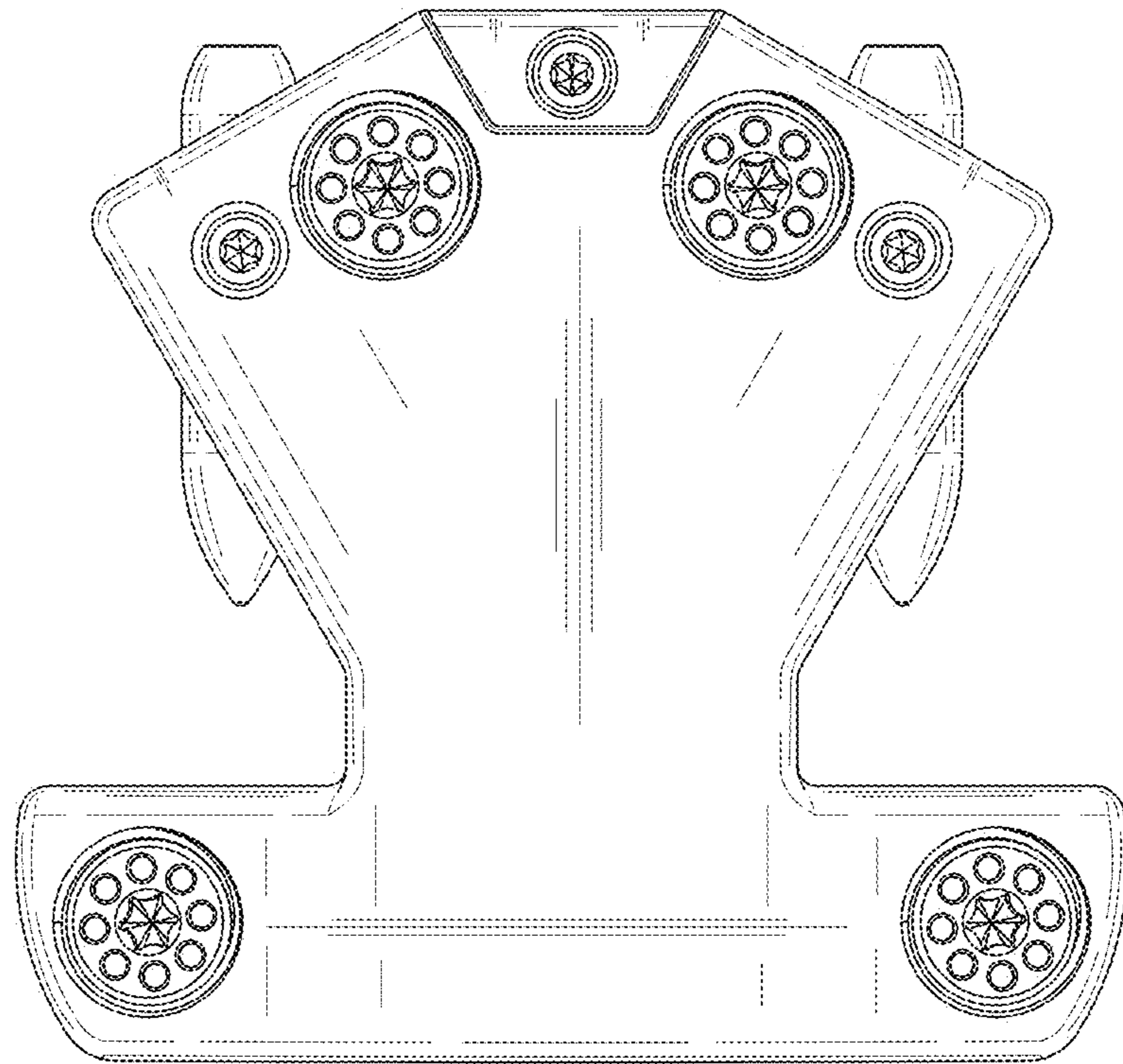


FIG. 6

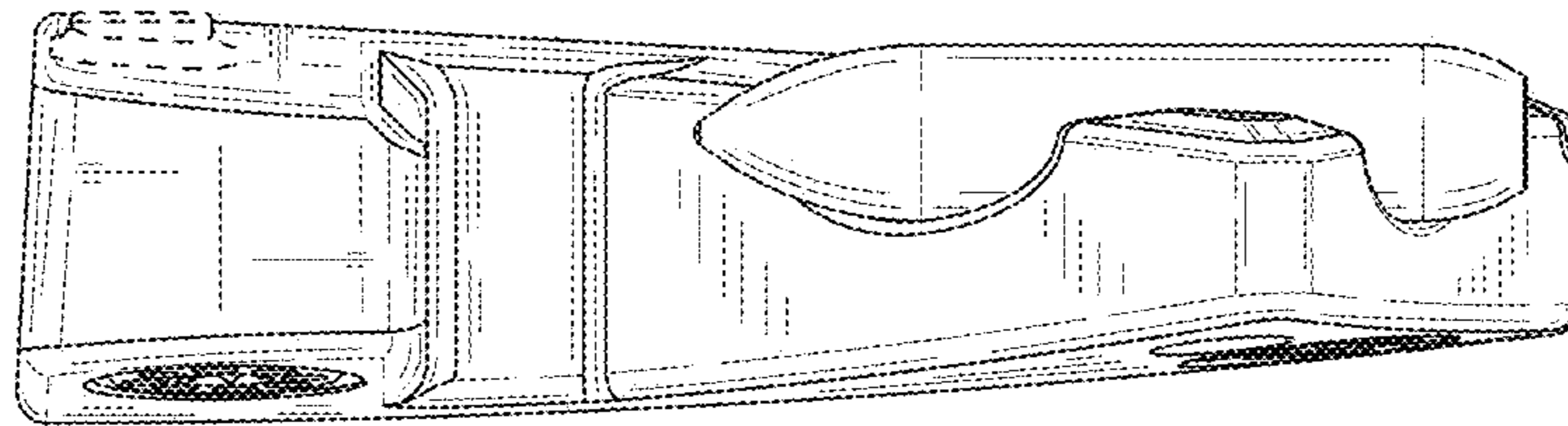


FIG. 7

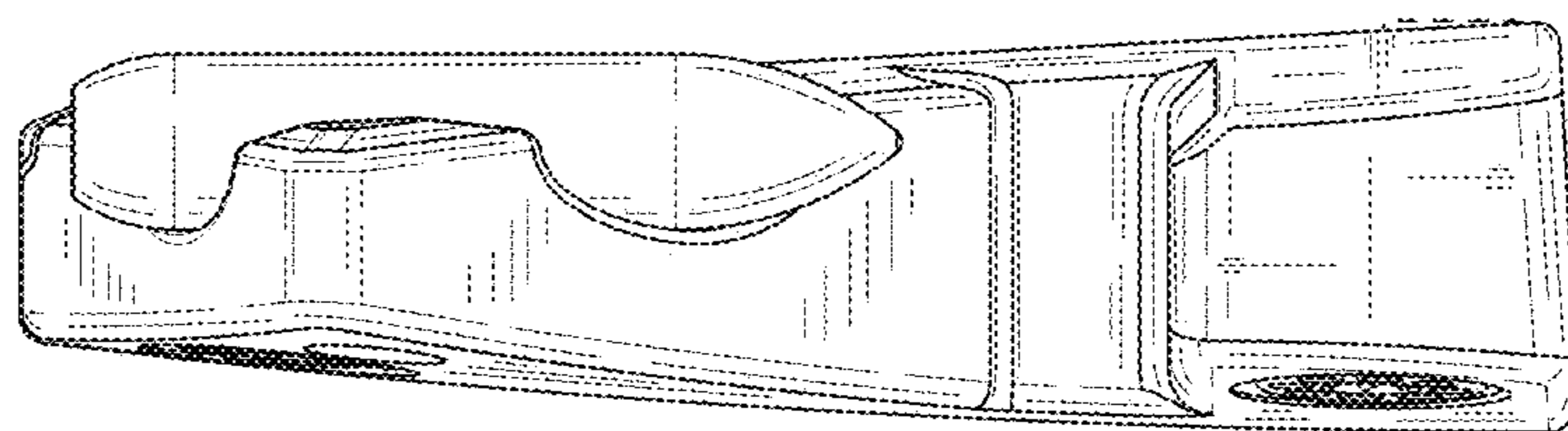


FIG. 8

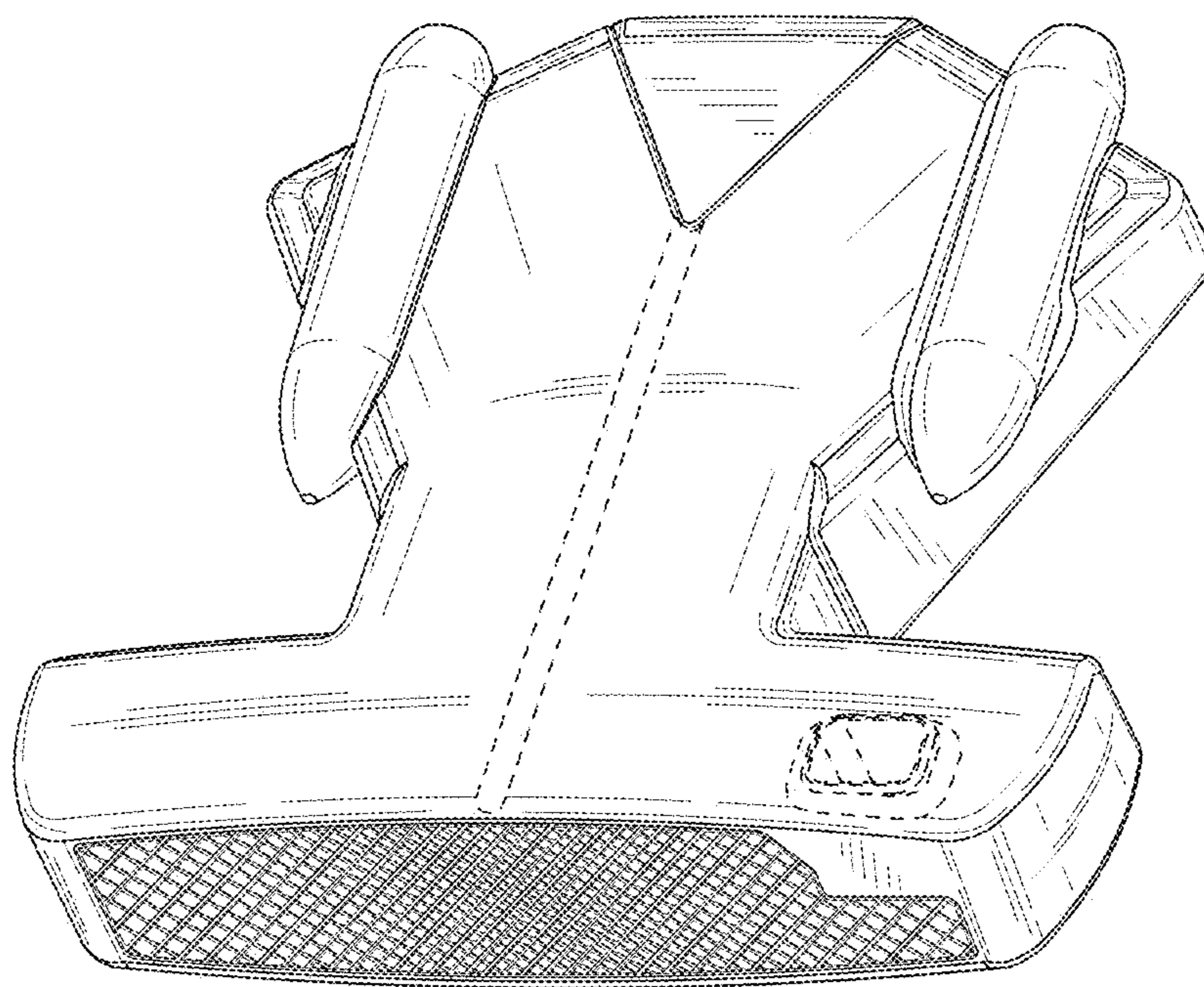


FIG. 9

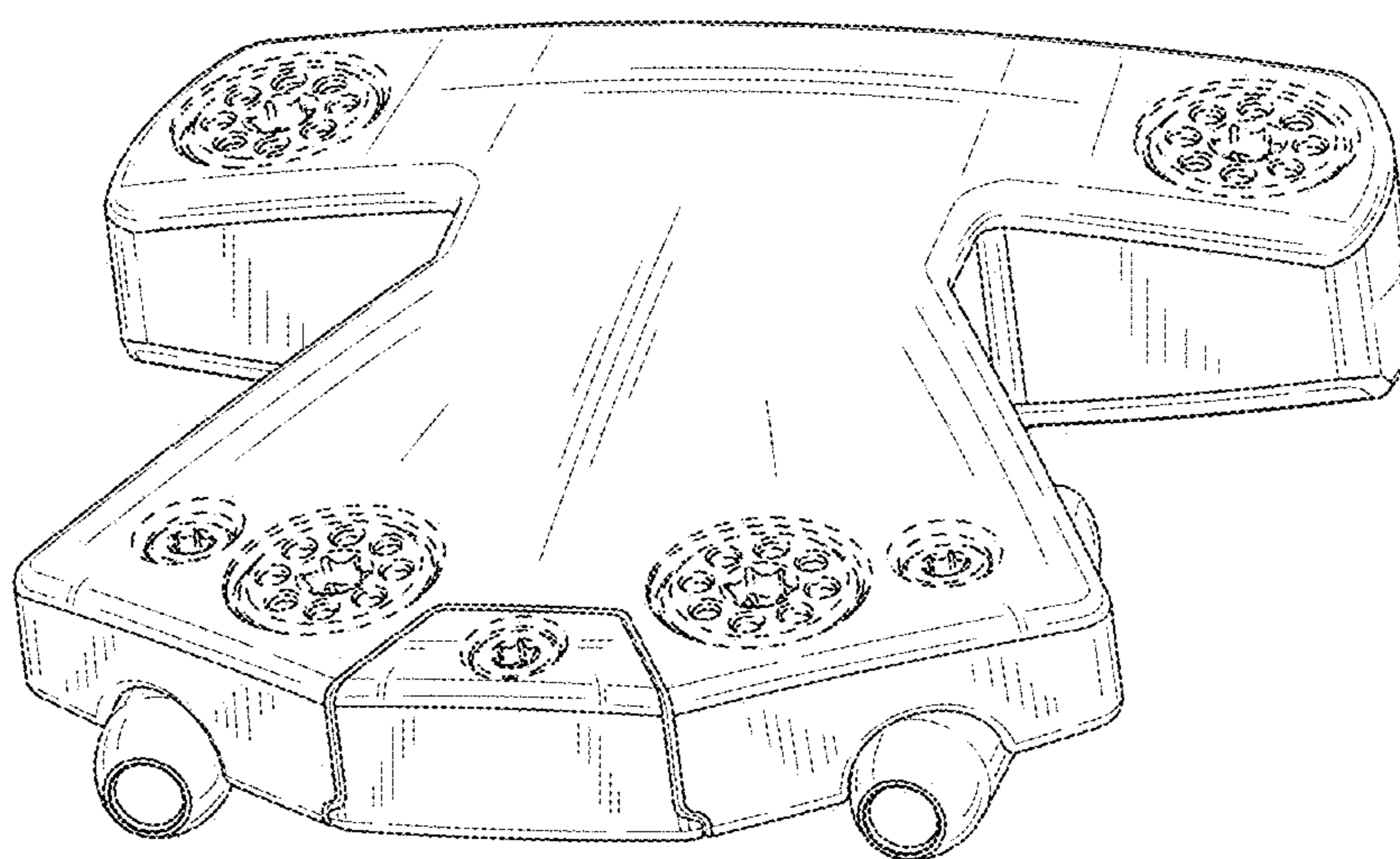


FIG. 10

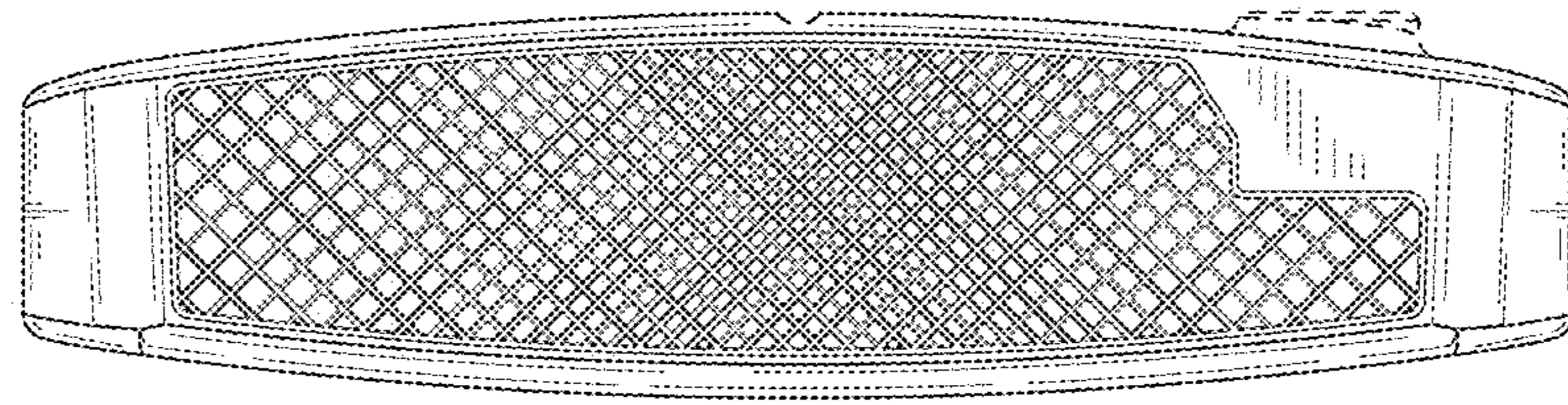


FIG. 11

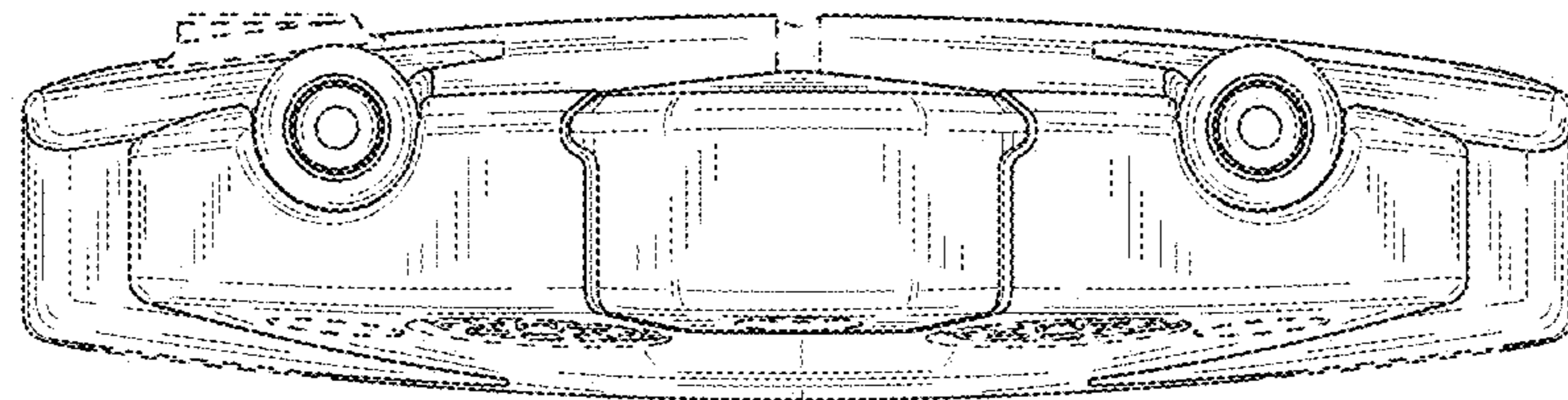


FIG. 12

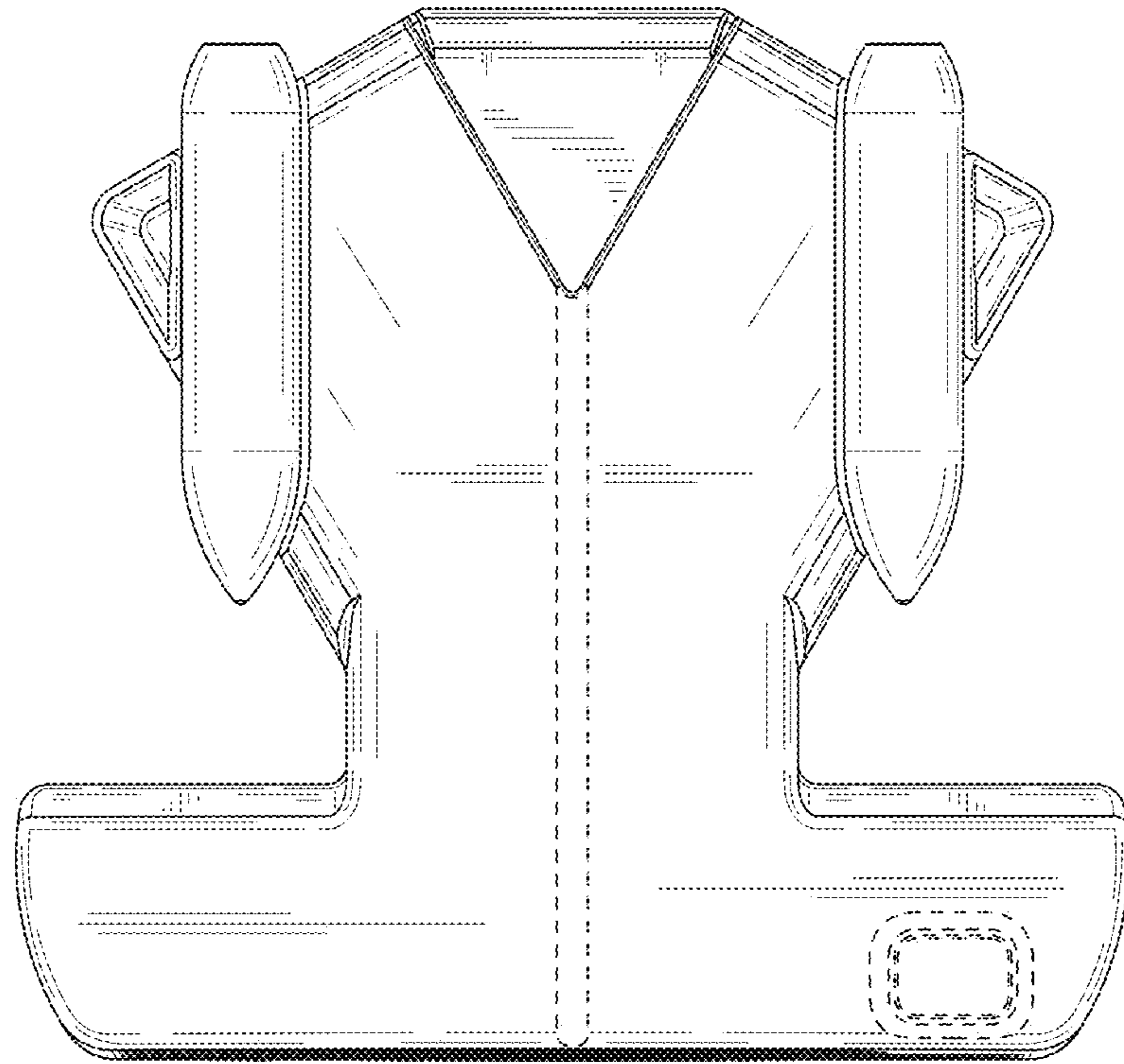


FIG. 13

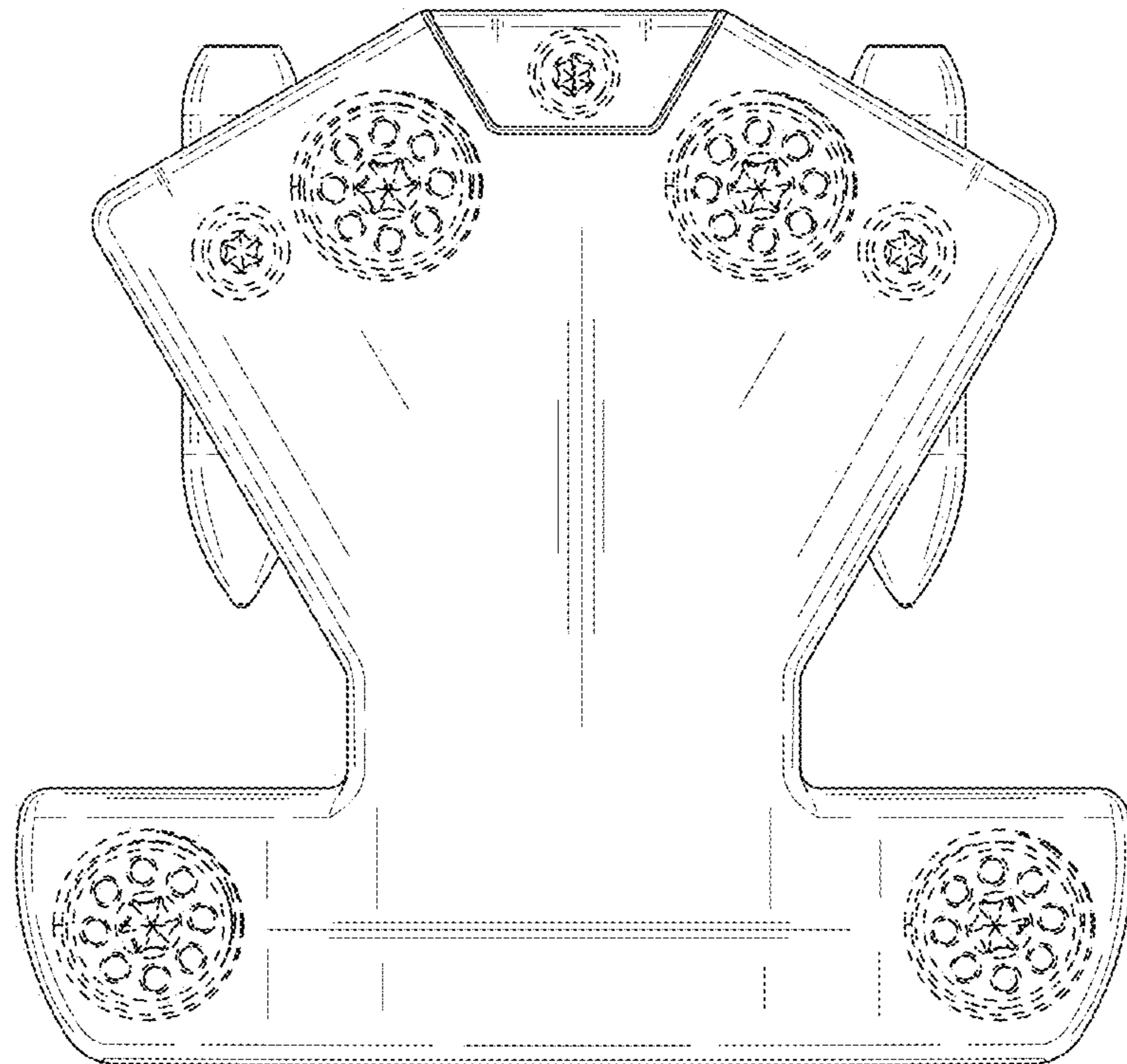


FIG. 14

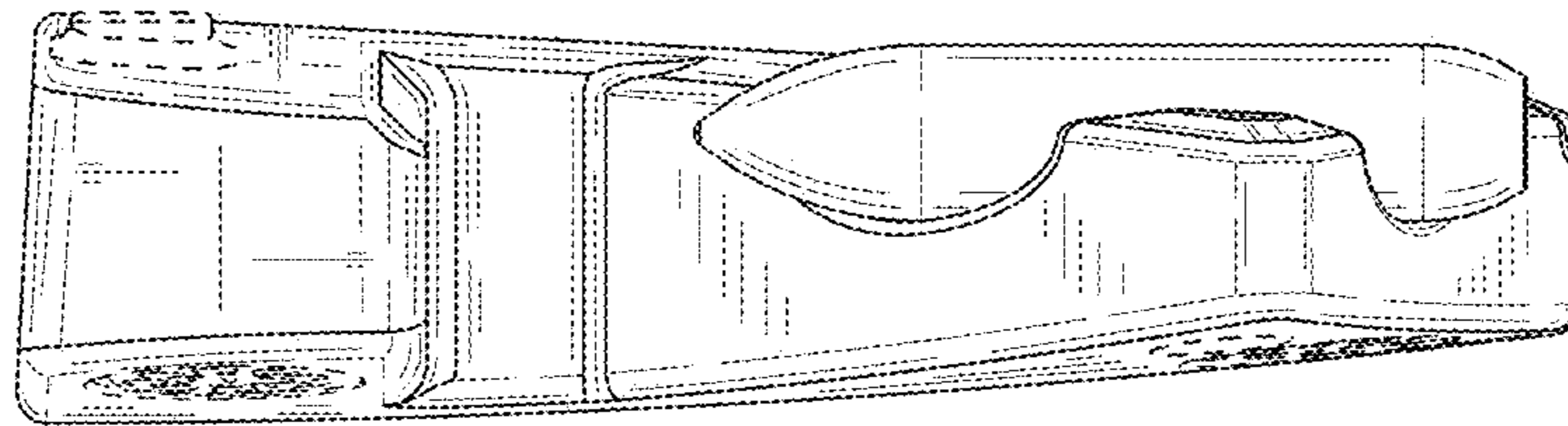


FIG. 15

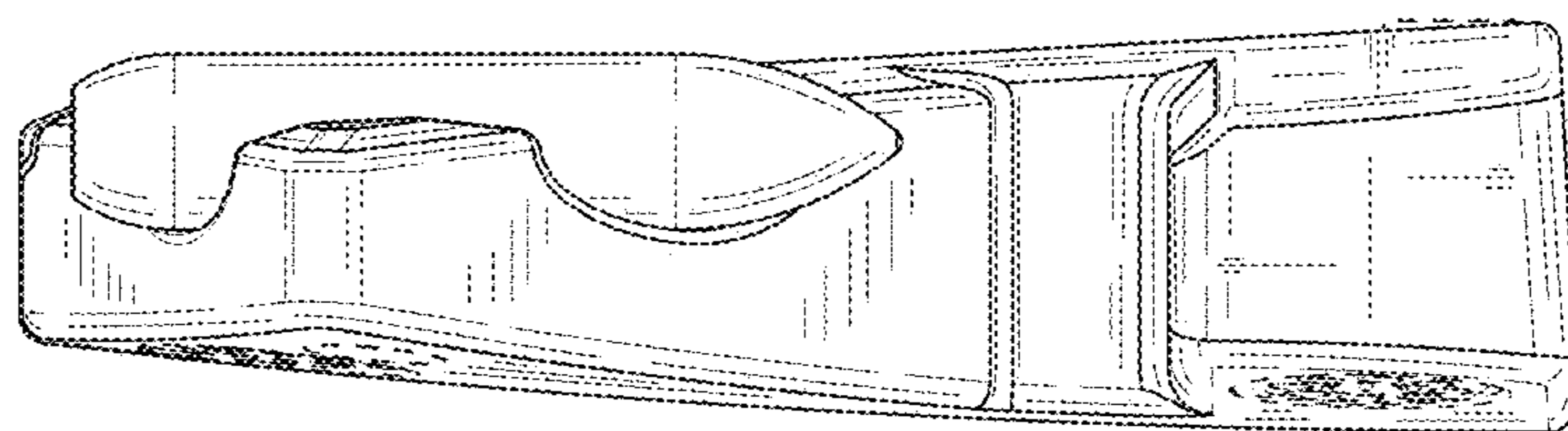


FIG. 16

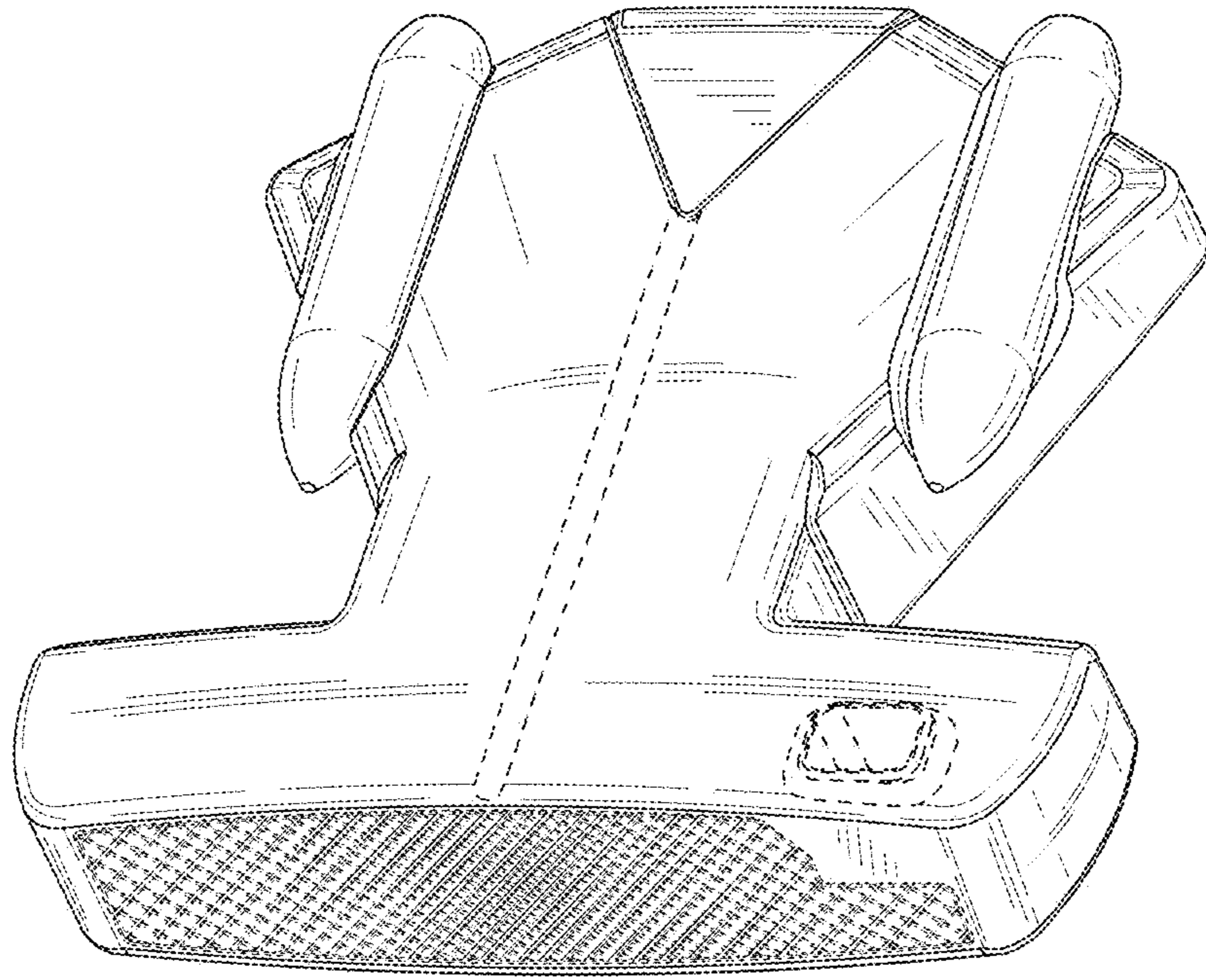


FIG. 17

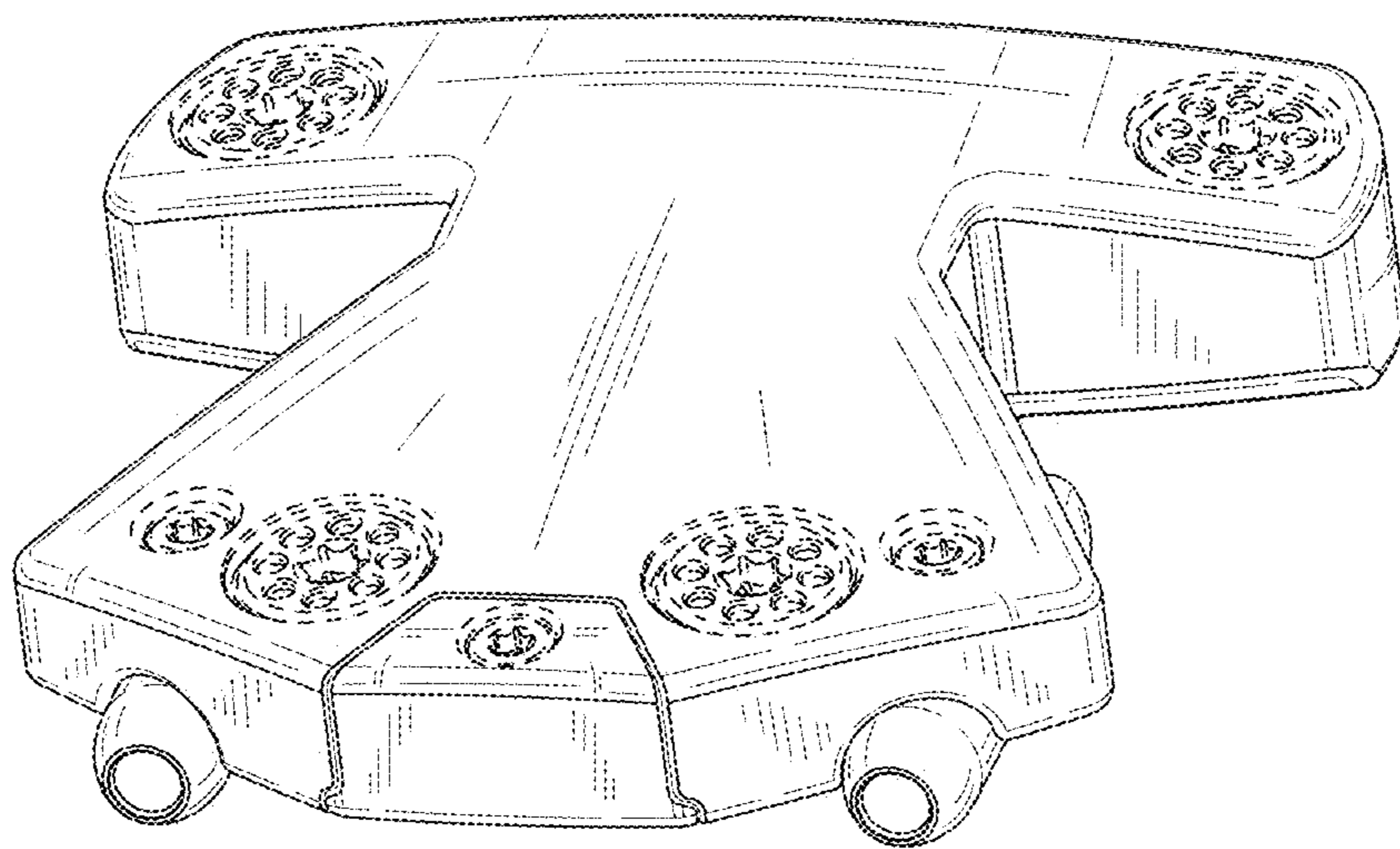


FIG. 18

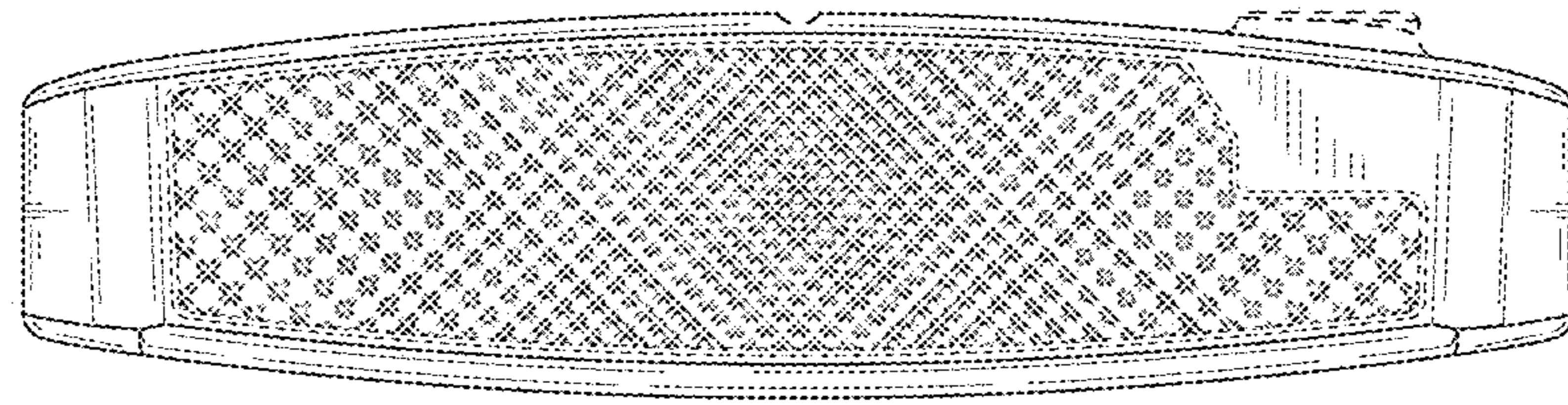


FIG. 19

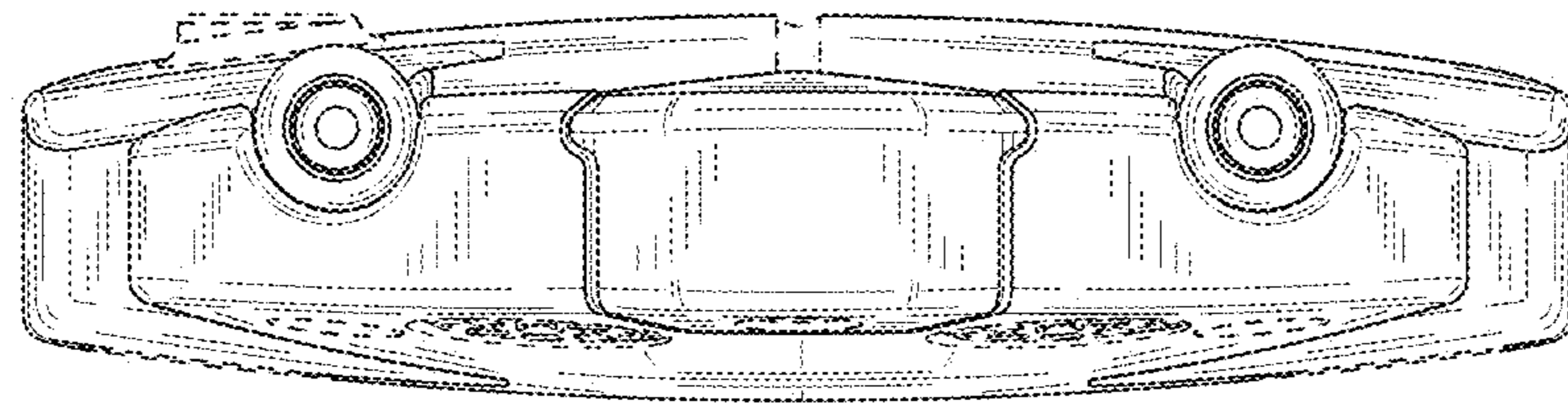


FIG. 20

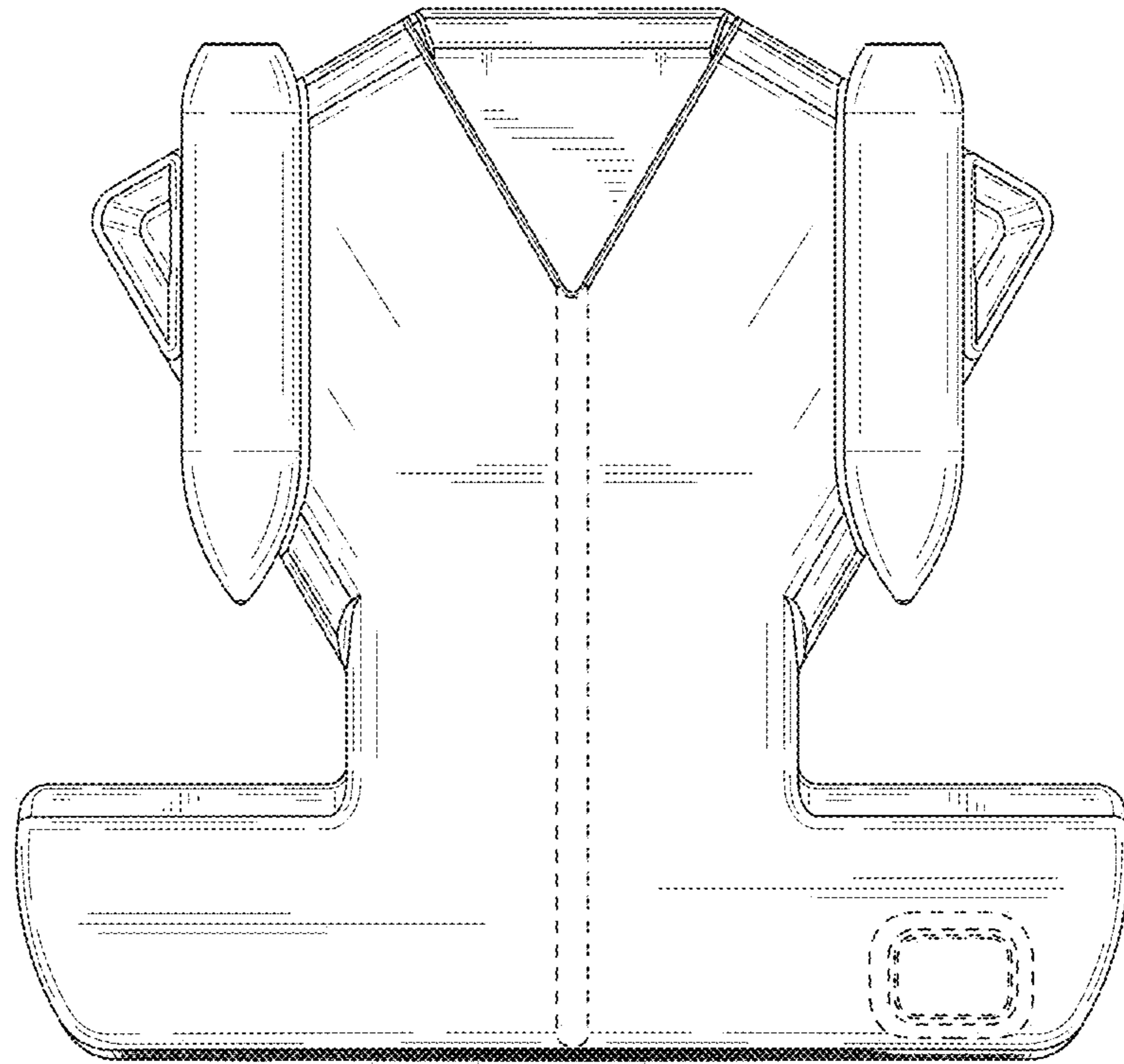


FIG. 21

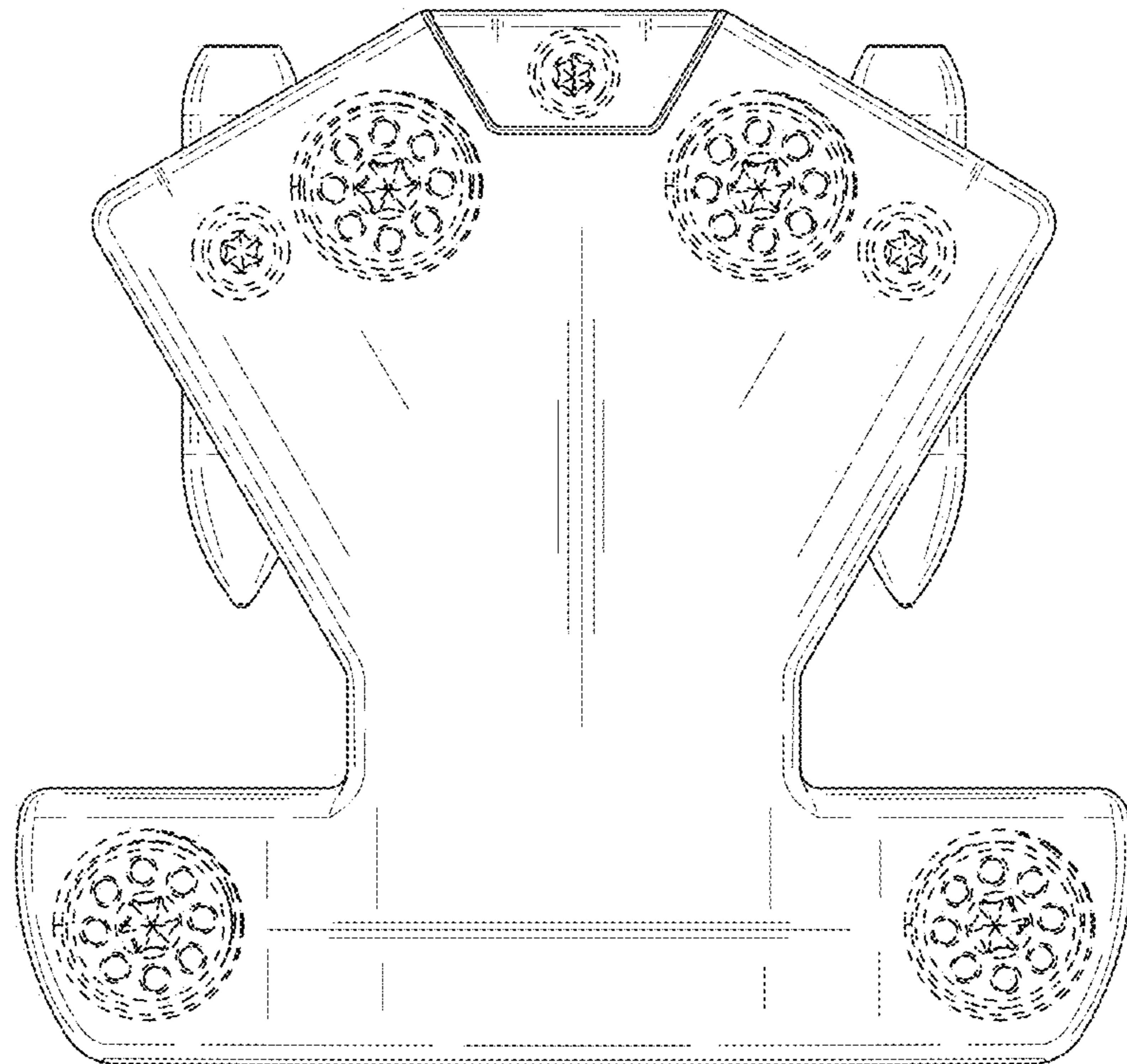


FIG. 22

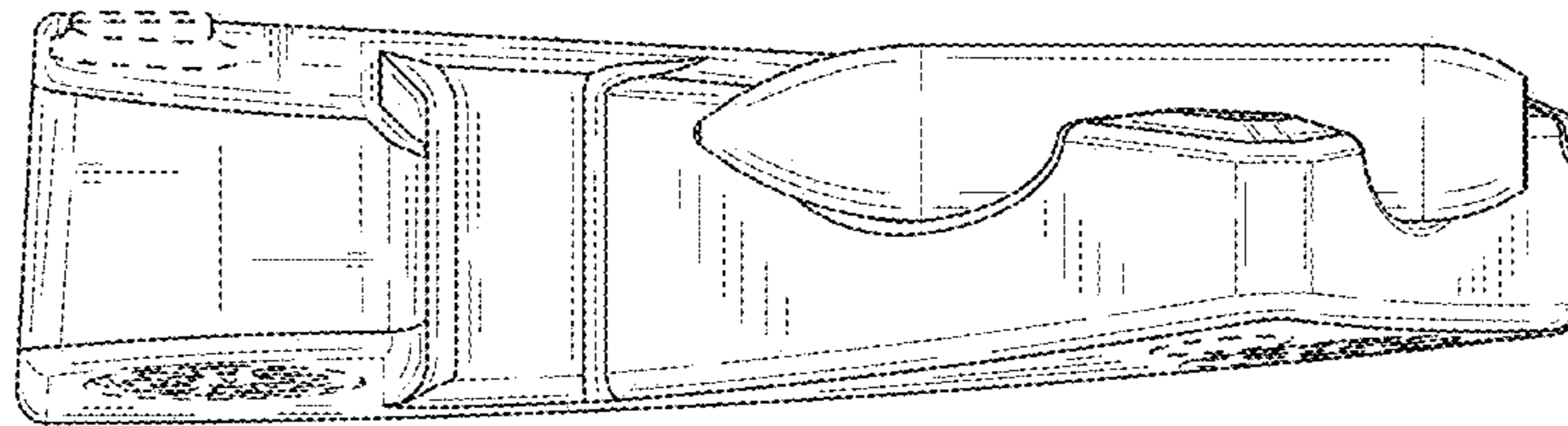


FIG. 23

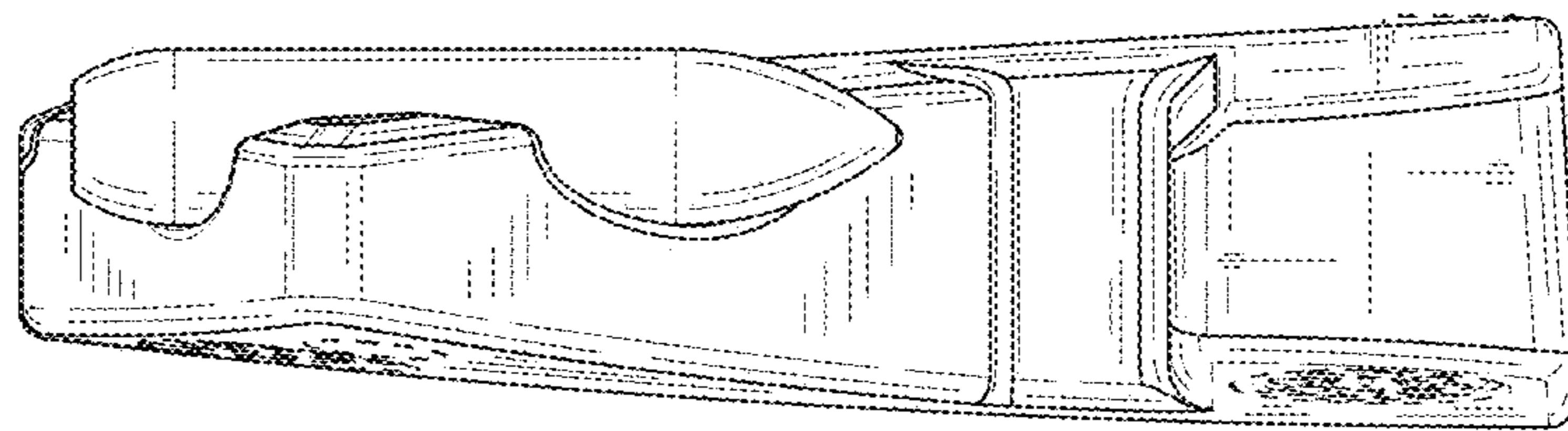


FIG. 24

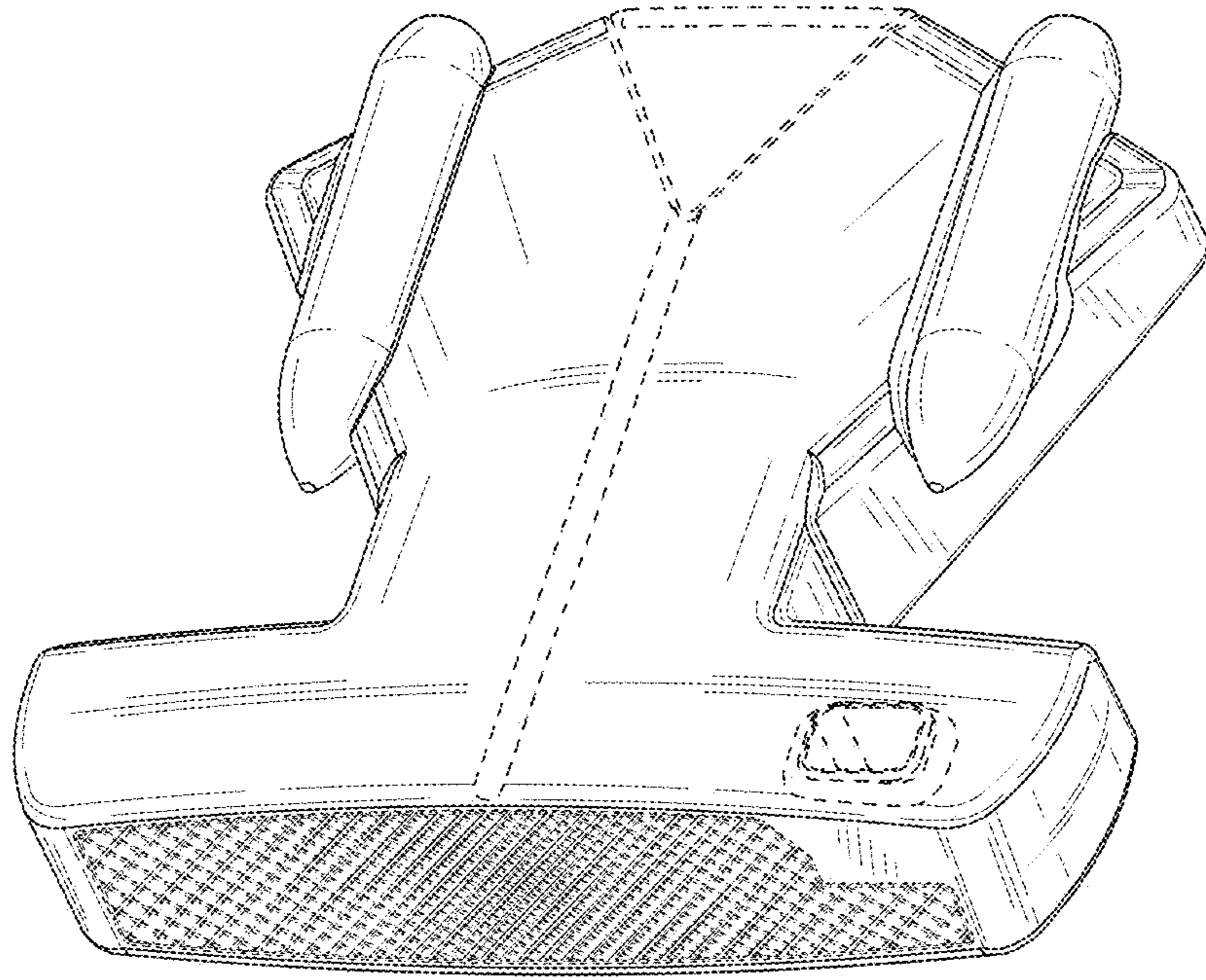


FIG. 25

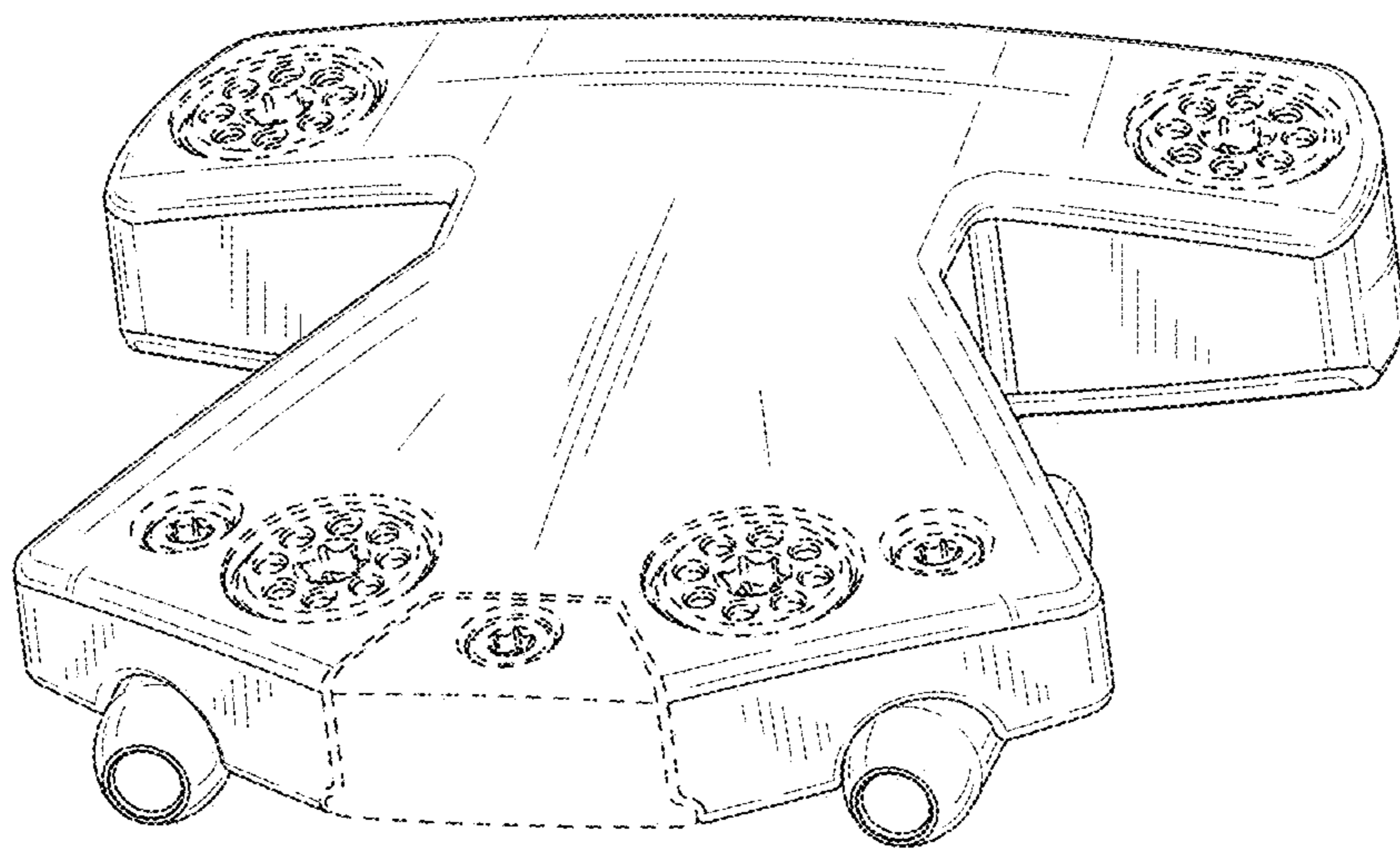


FIG. 26

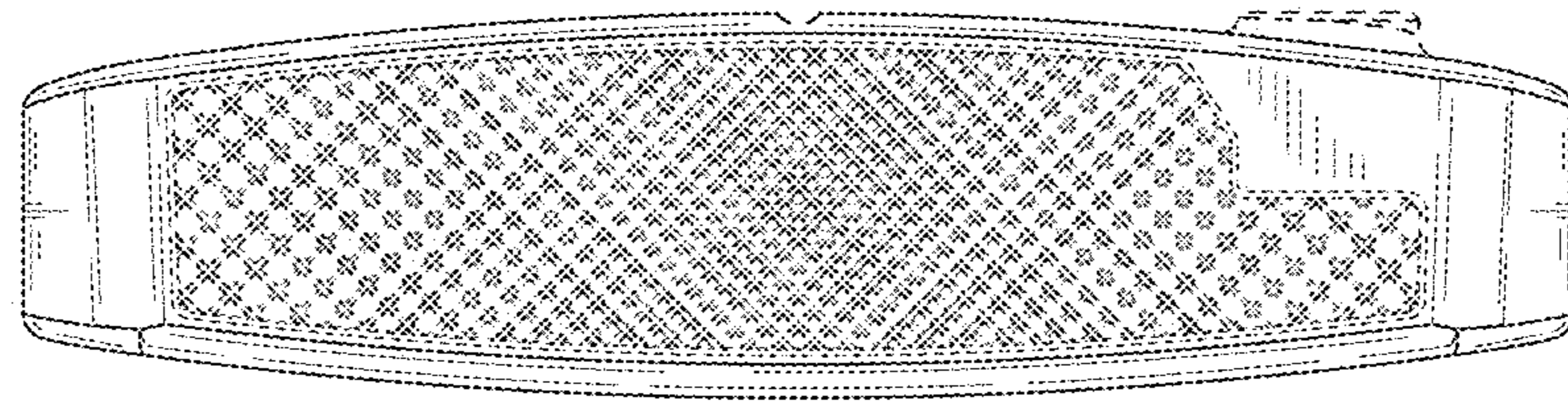


FIG. 27

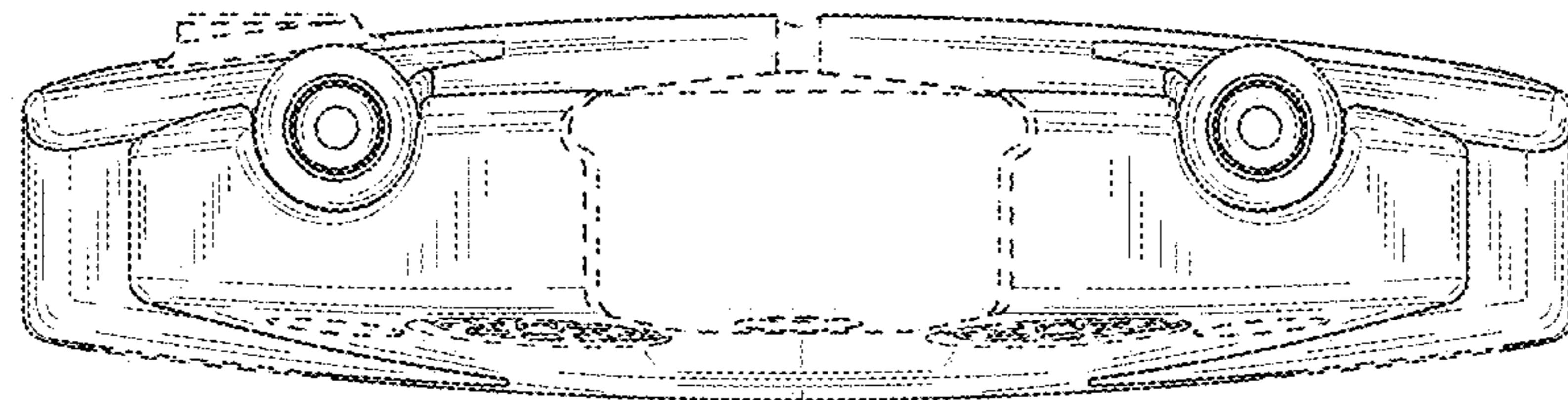


FIG. 28

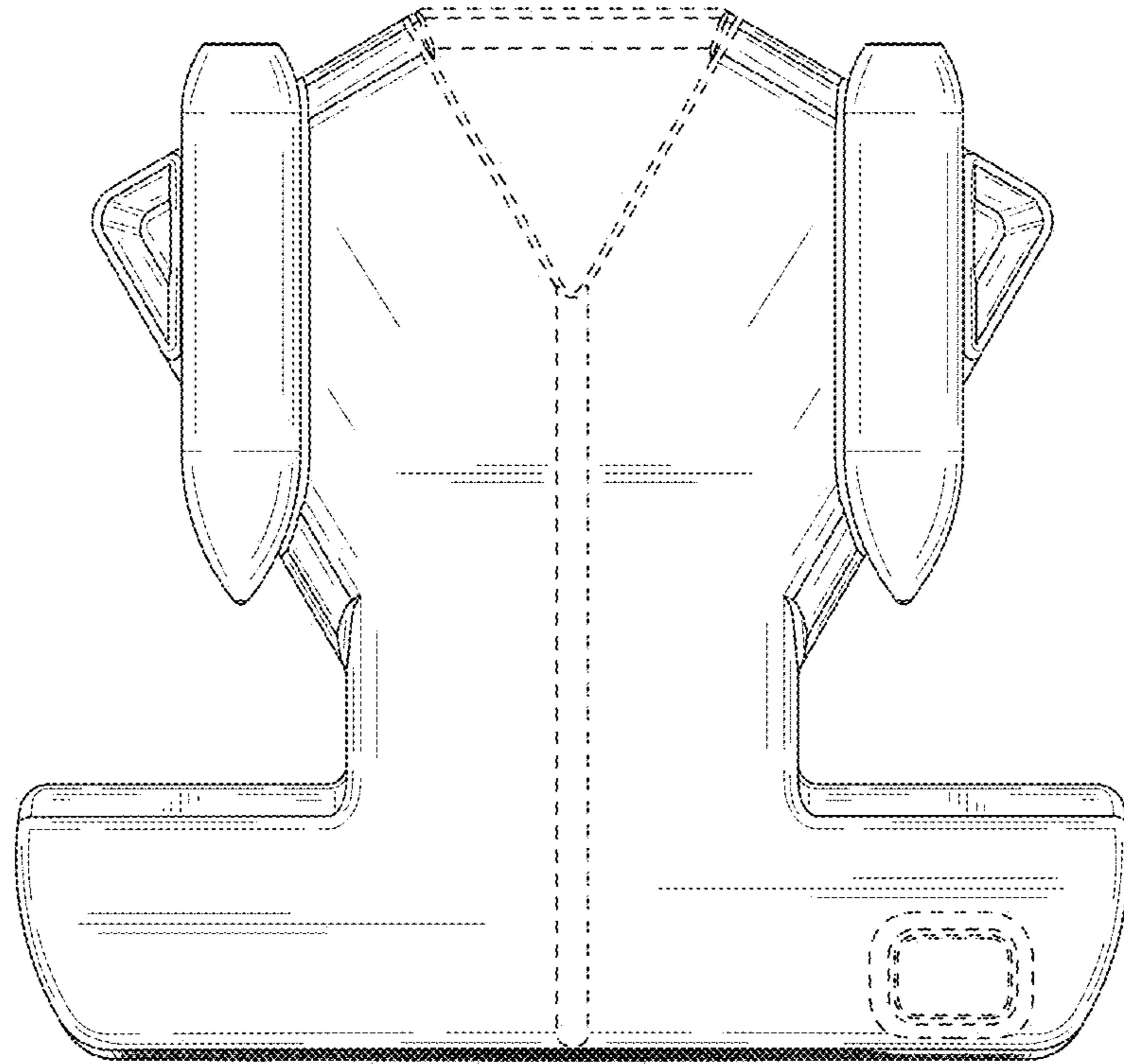


FIG. 29

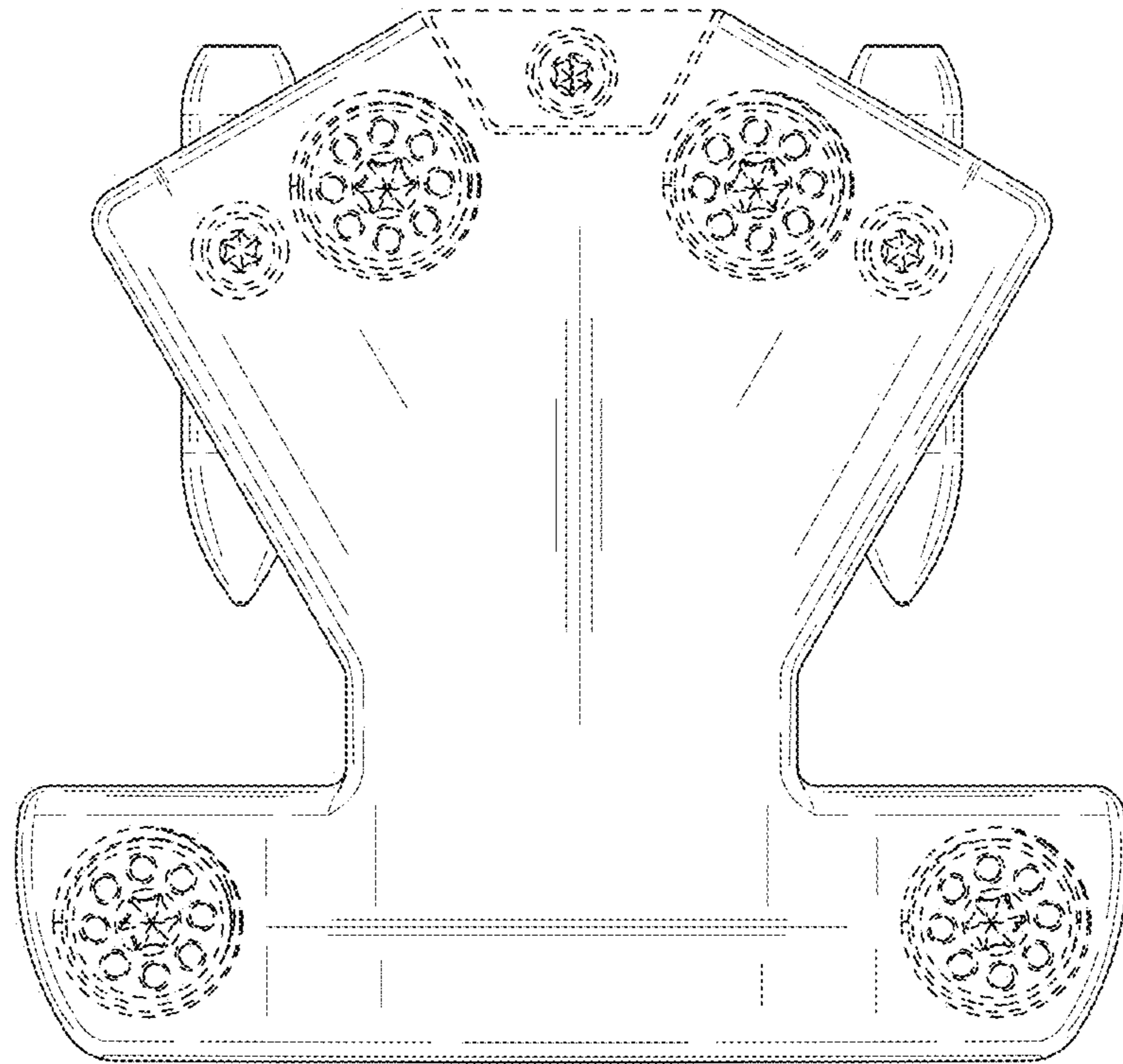


FIG. 30

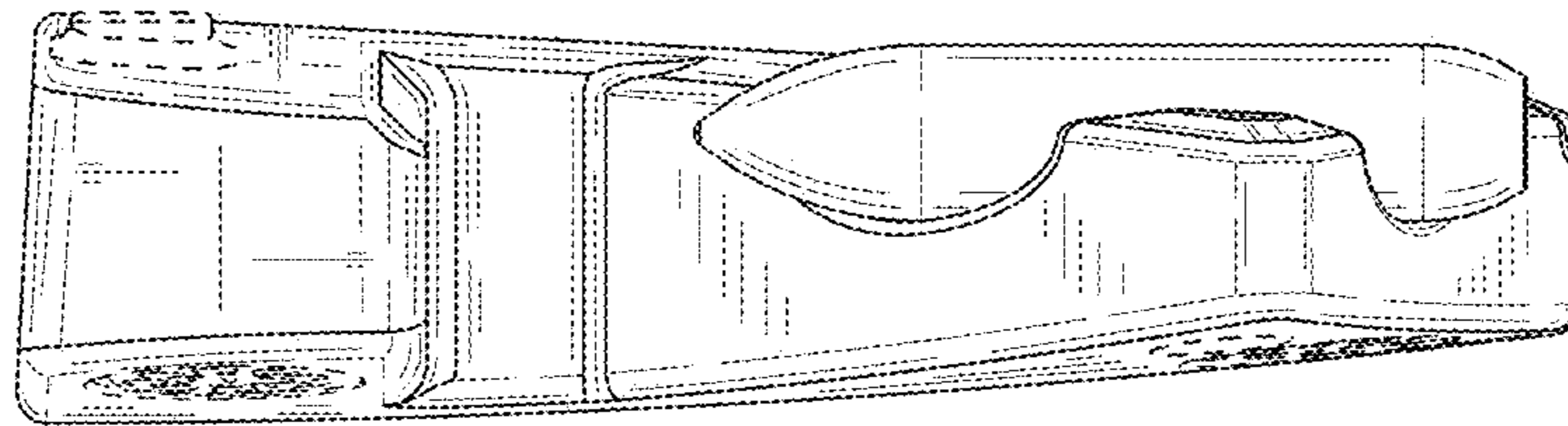


FIG. 31

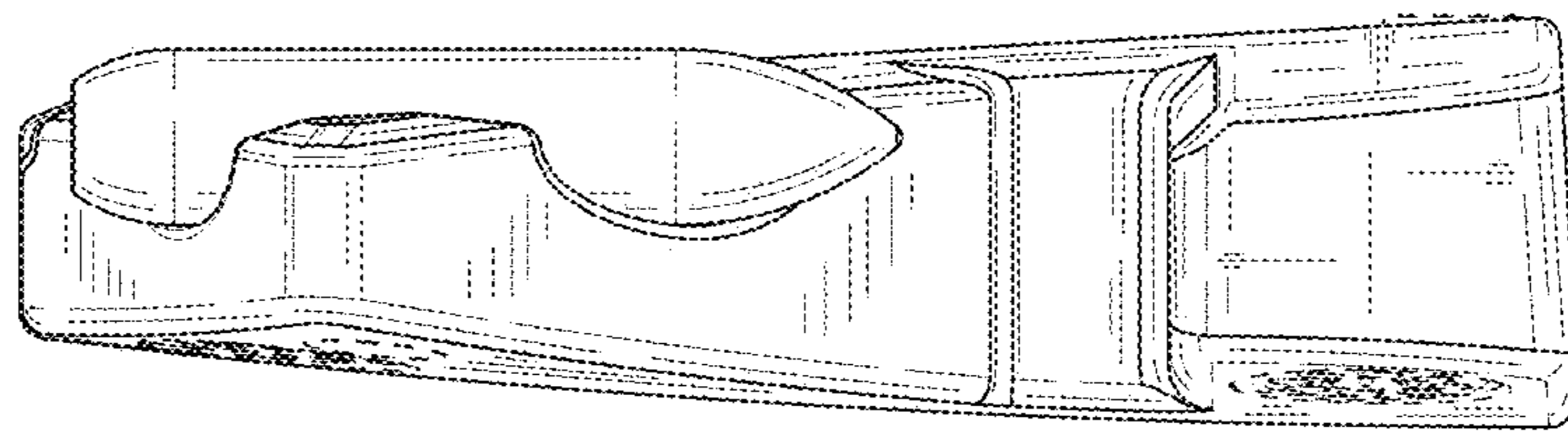


FIG. 32

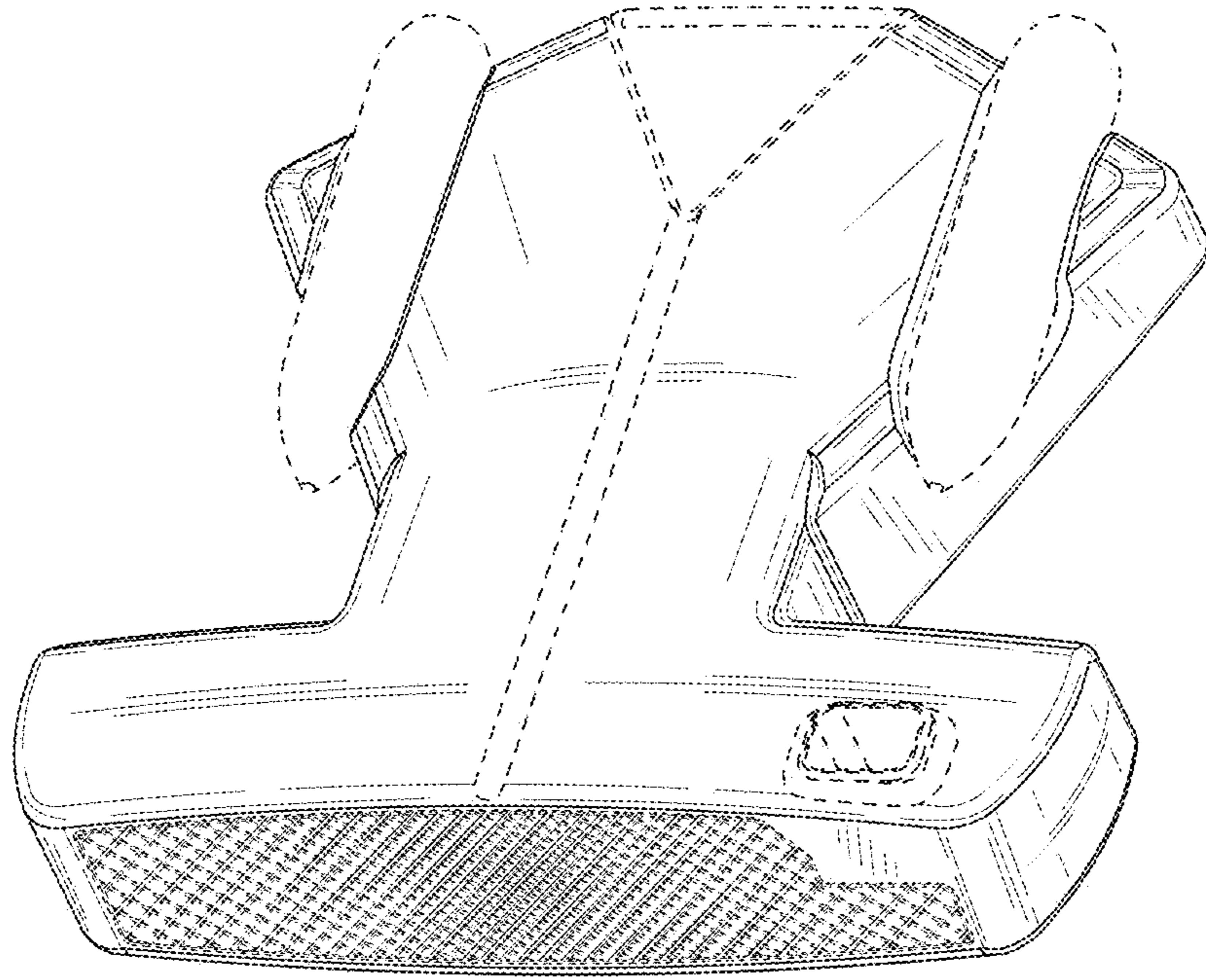


FIG. 33

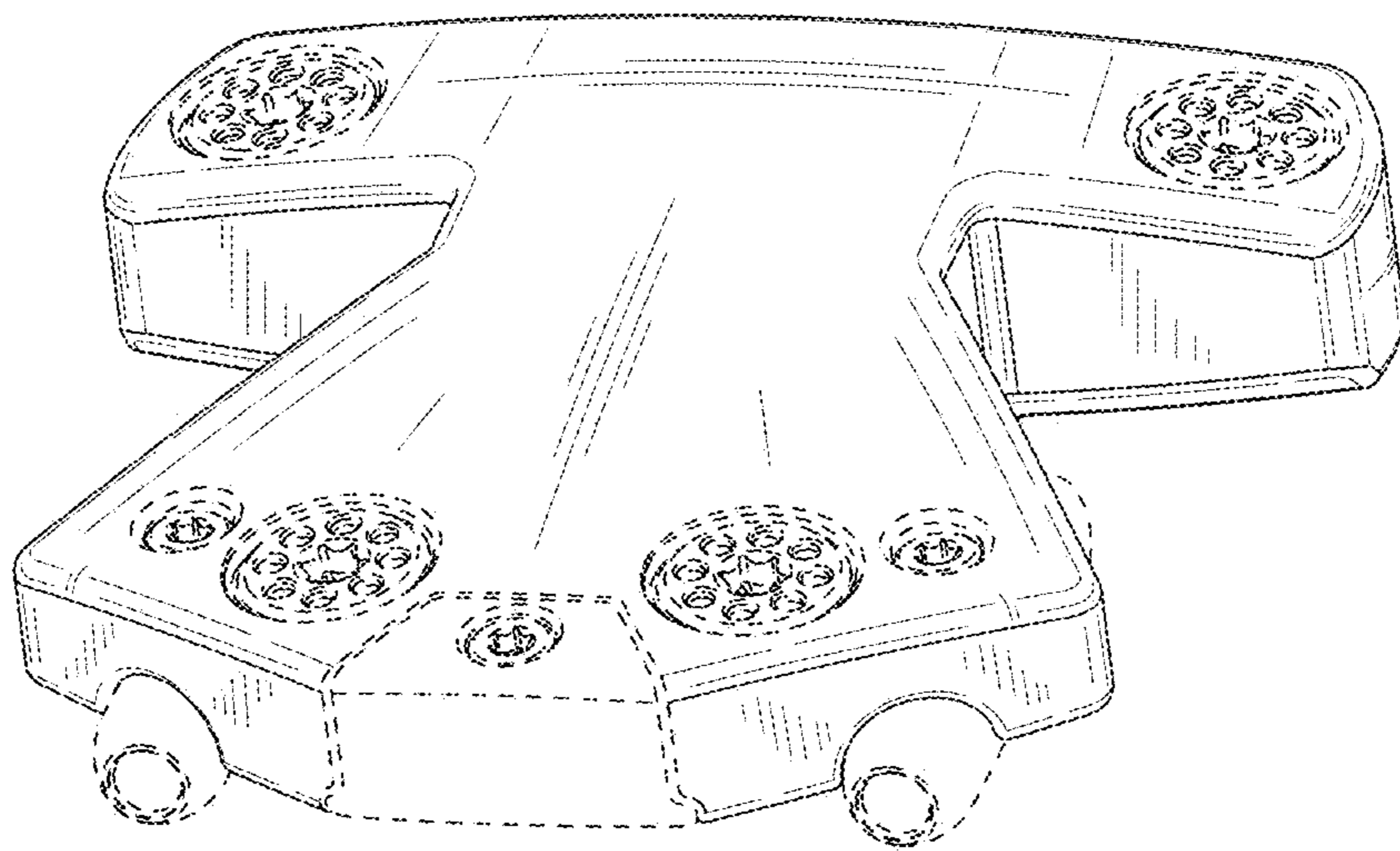


FIG. 34

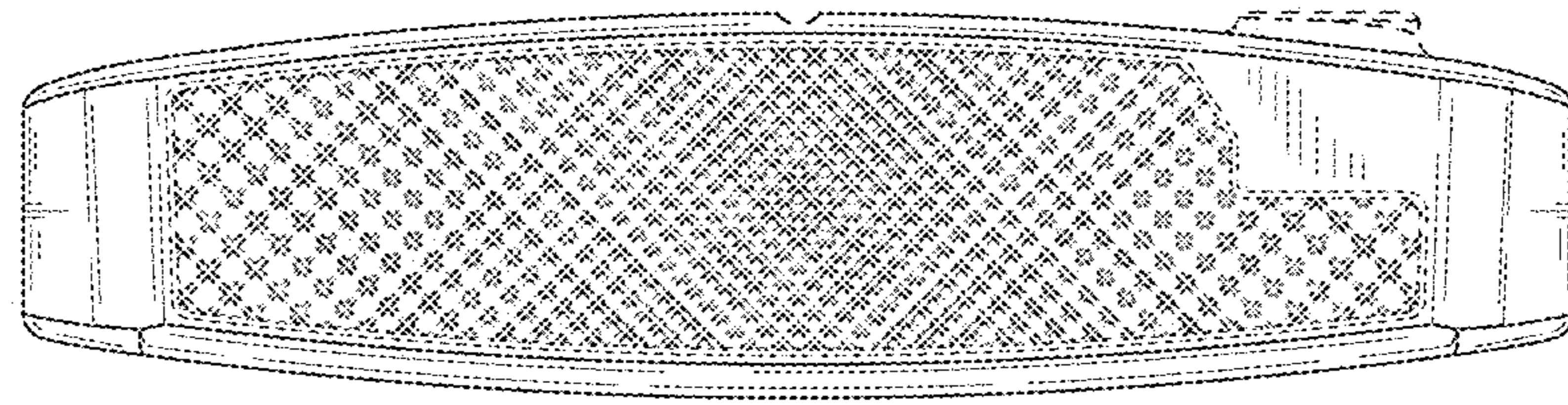


FIG. 35

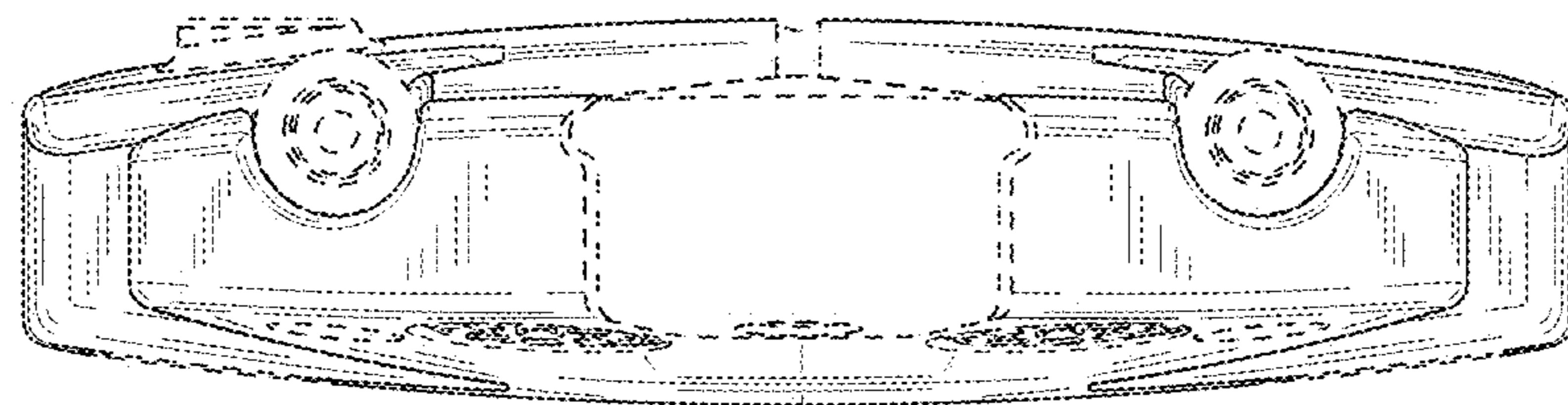


FIG. 36

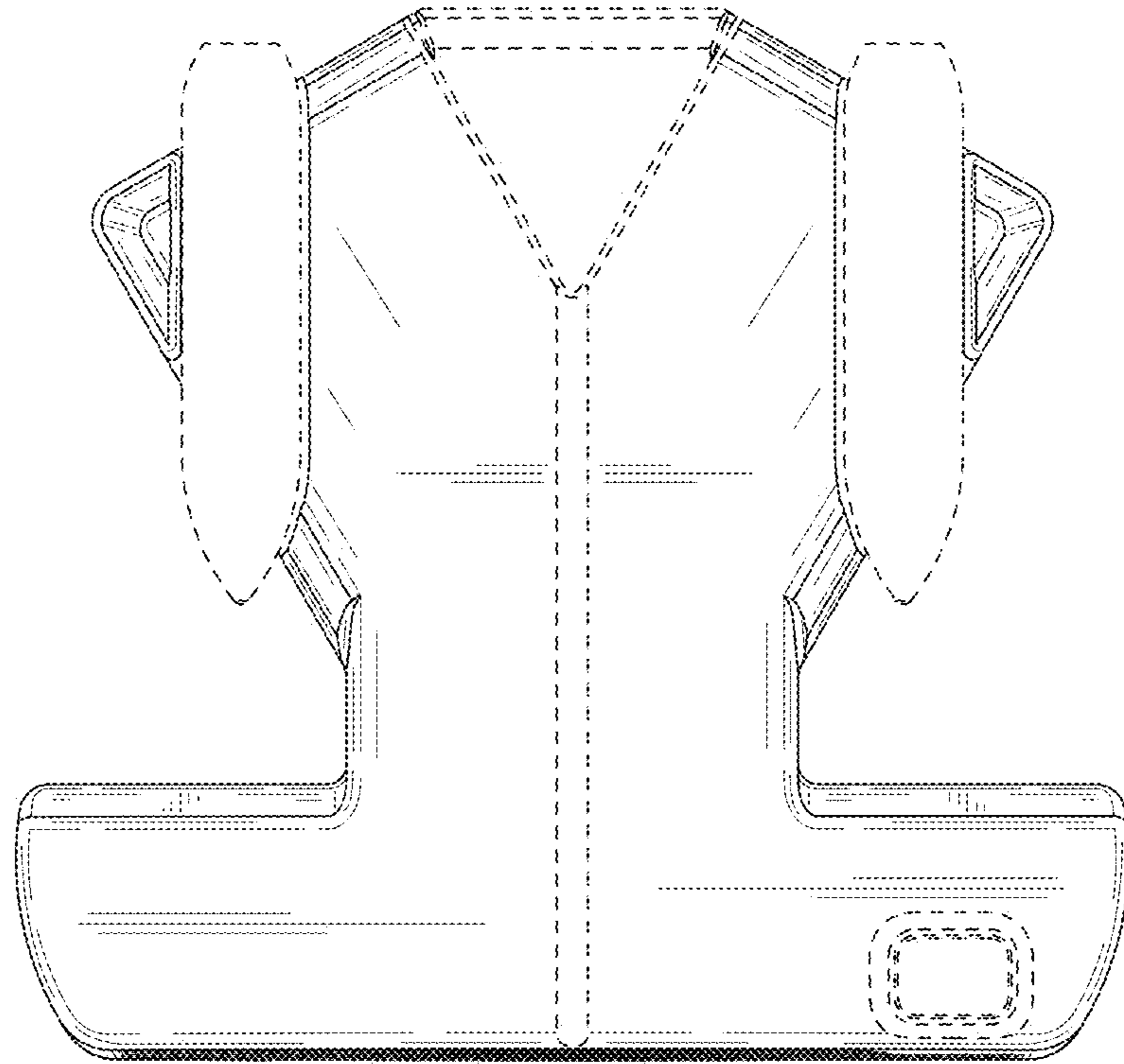


FIG. 37

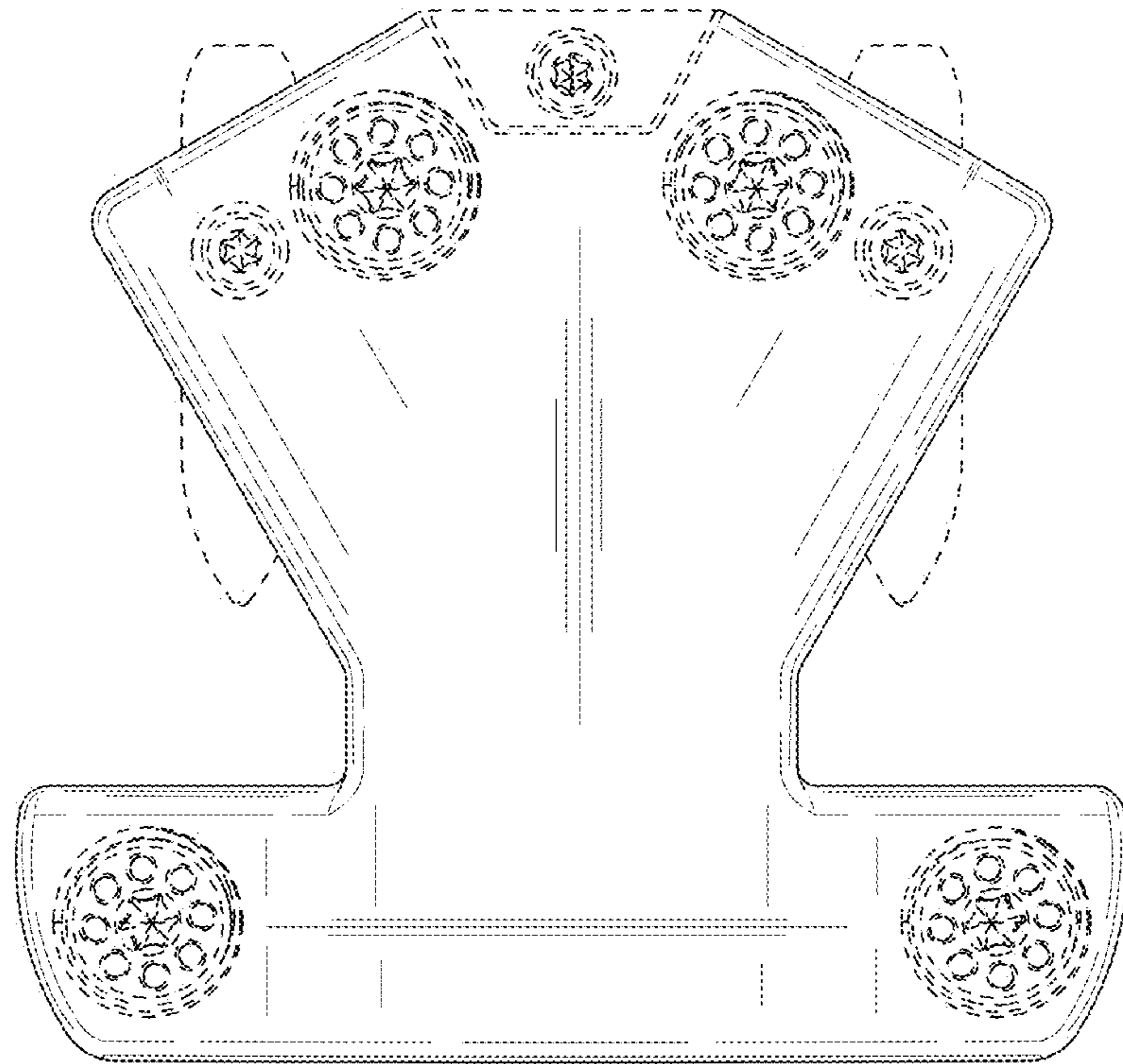


FIG. 38

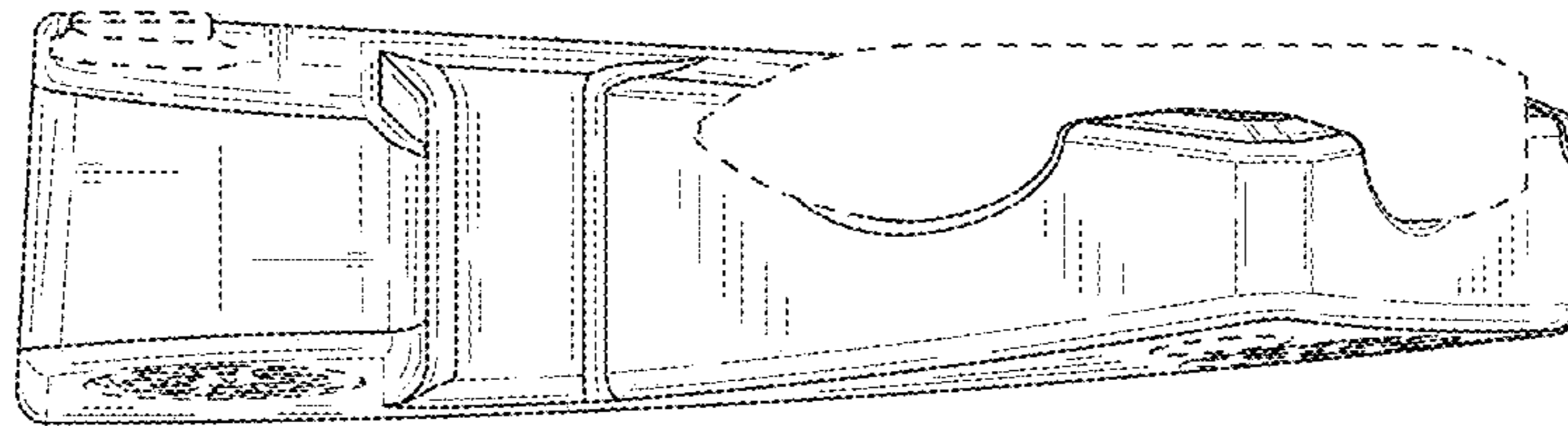


FIG. 39

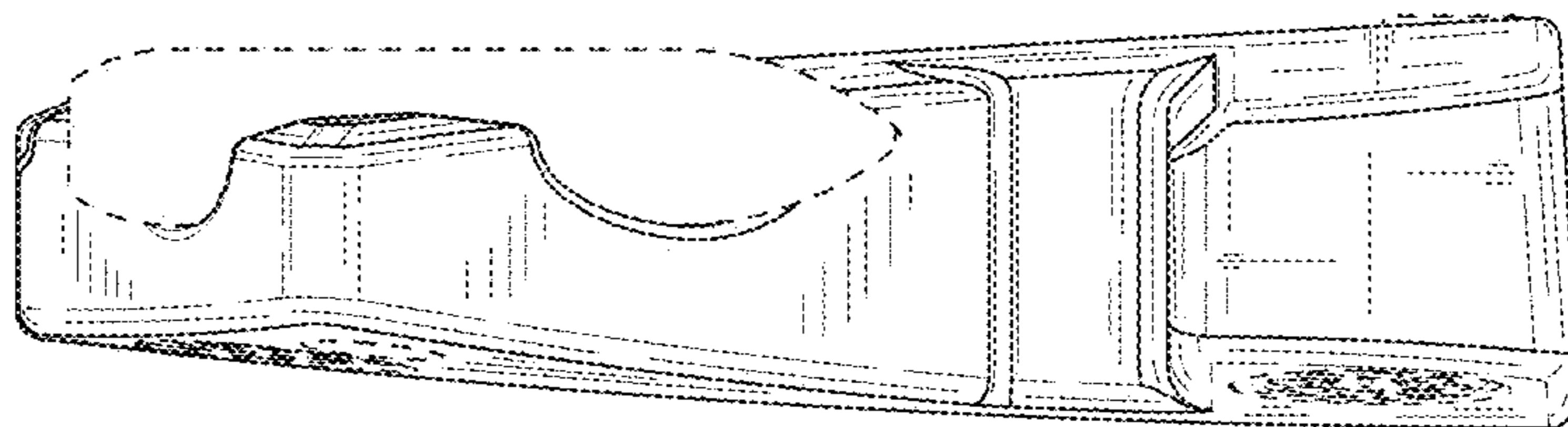


FIG. 40