



US00D954869S

(12) **United States Design Patent**
Santos

(10) **Patent No.:** **US D954,869 S**
(45) **Date of Patent:** **** Jun. 14, 2022**

- (54) **GOLF BALL CUP INSERT**
- (71) Applicant: **Vernie Santos**, Portland, OR (US)
- (72) Inventor: **Vernie Santos**, Portland, OR (US)
- (**) Term: **15 Years**
- (21) Appl. No.: **29/709,851**
- (22) Filed: **Oct. 17, 2019**
- (51) **LOC (13) Cl.** **21-02**
- (52) **U.S. Cl.**
USPC **D21/699**
- (58) **Field of Classification Search**
USPC D21/300, 301, 302, 303, 308, 312, 314,
D21/319, 358, 374, 375, 456, 699, 702,
D21/703, 704, 707, 708, 709, 712, 789;
D24/162, 110.4, 110.5
CPC A63B 49/00; A63B 57/00; A63B 57/0032;
A63B 57/0037; A63B 57/10; A63B
57/30; A63B 57/40; A63B 57/50; A63B
57/505; A63B 63/00; A63B 63/001
See application file for complete search history.

- D361,352 S * 8/1995 Veraguth D21/456
- D434,453 S * 11/2000 Kenyon D21/303
- D441,449 S * 5/2001 Gaskell D24/162
- 7,597,635 B2 * 10/2009 Davies A63B 69/0071
473/433
- D617,390 S * 6/2010 Mariano A63F 1/06
D21/375
- D629,269 S * 12/2010 Okamoto D7/700
- D633,948 S * 3/2011 Roach D21/303
- D718,389 S * 11/2014 Pillot D21/302
- D734,822 S * 7/2015 Cappello D21/698
- D741,409 S * 10/2015 Moulton D21/303
- D783,742 S * 4/2017 Adema D21/699
- D793,498 S * 8/2017 Manus D21/701
- D819,139 S * 5/2018 McNair D21/308
- D856,430 S * 8/2019 Cangi D21/303
- D865,883 S * 11/2019 Hayes D21/712

(Continued)

Primary Examiner — Mehri F Bajoul

(57) **CLAIM**

The ornamental design for a golf ball cup insert, as shown and described.

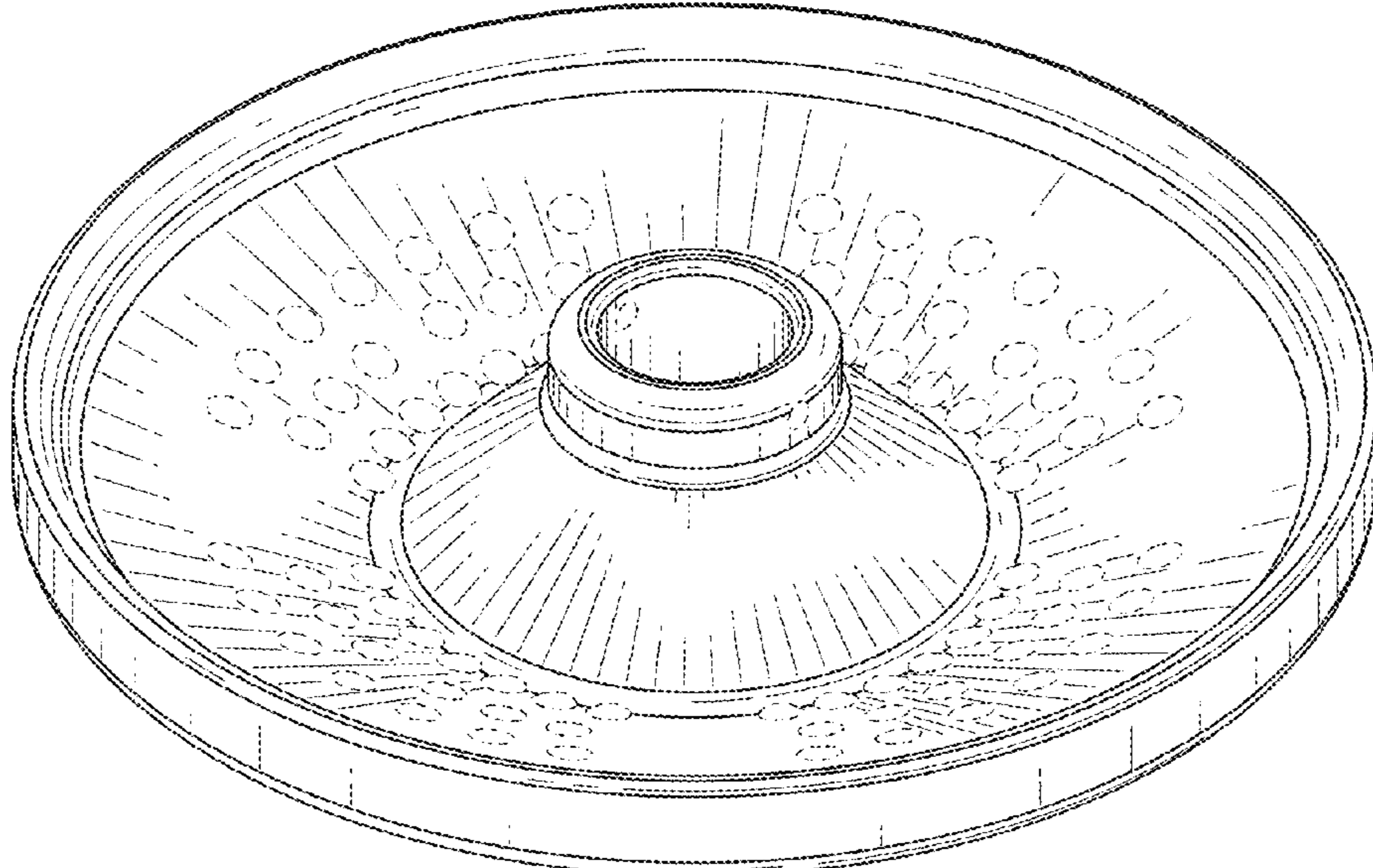
DESCRIPTION

FIG. 1 is a top-front-left perspective view of a golf ball cup insert showing my new design;
 FIG. 2 is a bottom-rear-right perspective view thereof;
 FIG. 3 is a front elevational view thereof;
 FIG. 4 is a rear elevational view thereof;
 FIG. 5 is a left-side elevational view thereof;
 FIG. 6 is a right-side elevational view thereof;
 FIG. 7 is a top plan view thereof;
 FIG. 8 is a bottom plan view thereof; and,
 FIG. 9 is a cross-sectional view taken along line 9-9 in FIG. 7.

The broken lines showing a plurality of drainage holes in FIG. 1 through 9 and the fixture holes in FIGS. 1, 5, 6, and 9 show portions of the golf ball cup insert that forms no part of the claimed design.

1 Claim, 9 Drawing Sheets

- (56) **References Cited**
U.S. PATENT DOCUMENTS
- 2,470,574 A * 5/1949 Nelson A63B 57/10
473/394
- 2,933,318 A * 4/1960 Boynton A63B 63/00
473/186
- 3,512,262 A * 5/1970 Smyk A63B 69/3676
33/555.2
- D235,216 S * 5/1975 Munson D21/699
- 3,909,007 A * 9/1975 Wuertemburg A63B 57/40
473/188
- D240,244 S * 6/1976 Clemmons, Sr. D21/699
- 4,171,812 A * 10/1979 Marsin A63B 63/08
473/166
- D270,362 S * 8/1983 de Gregorio D21/375
- D349,586 S * 8/1994 Handke D24/110.4



(56)

References Cited

U.S. PATENT DOCUMENTS

D872,815 S *	1/2020	Parsons	D21/699
D873,918 S *	1/2020	Allen	D21/302
D876,186 S *	2/2020	Marantis	D7/700
D888,877 S *	6/2020	White	D22/122
D898,122 S *	10/2020	Rivard	D21/303
D903,442 S *	12/2020	Di Martino	D7/700
D910,115 S *	2/2021	Esposito	D21/303
D910,757 S *	2/2021	Green	D21/303
D920,464 S *	5/2021	Thompson	D23/200

* cited by examiner

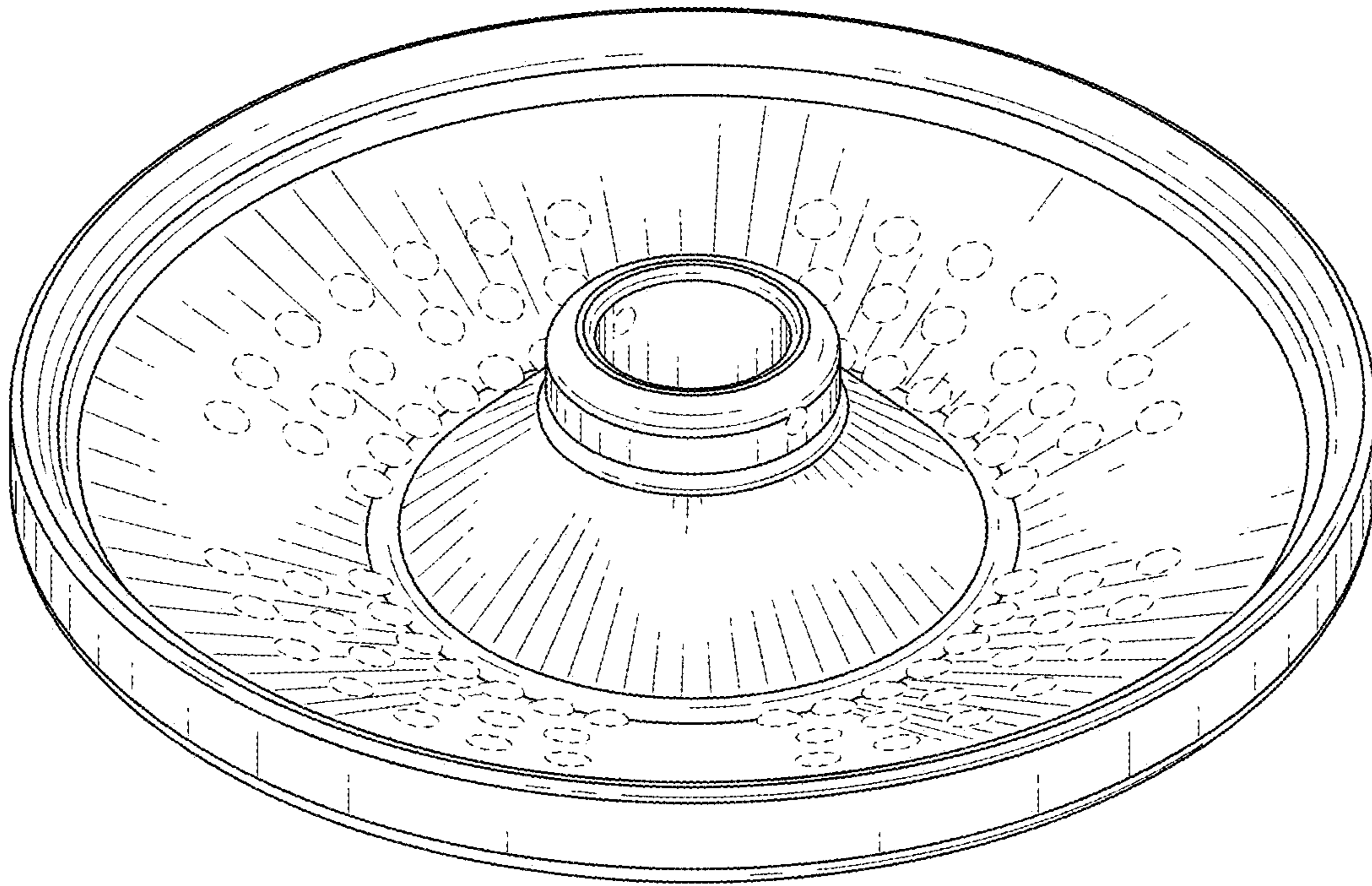


FIG. 1

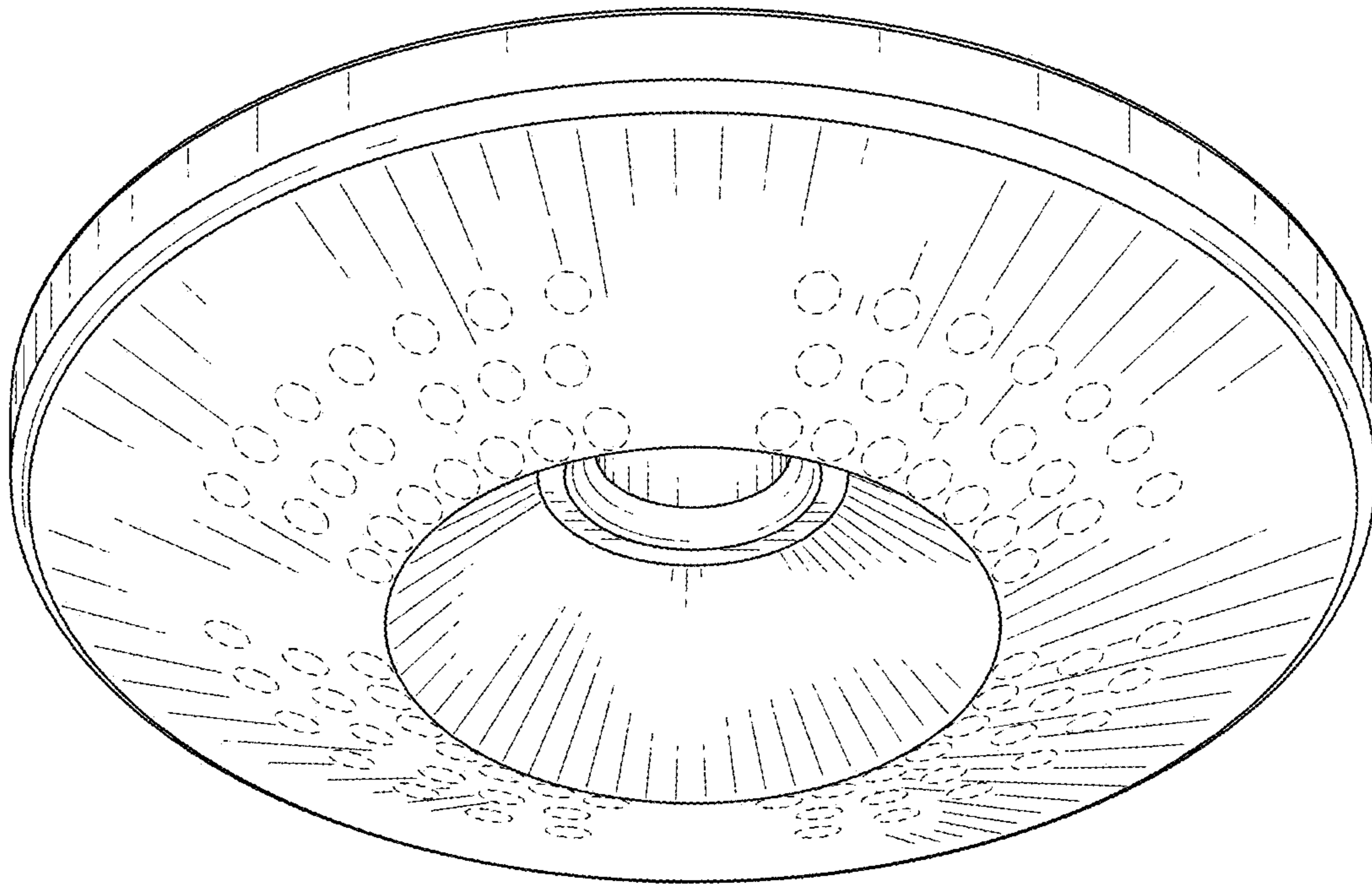


FIG. 2

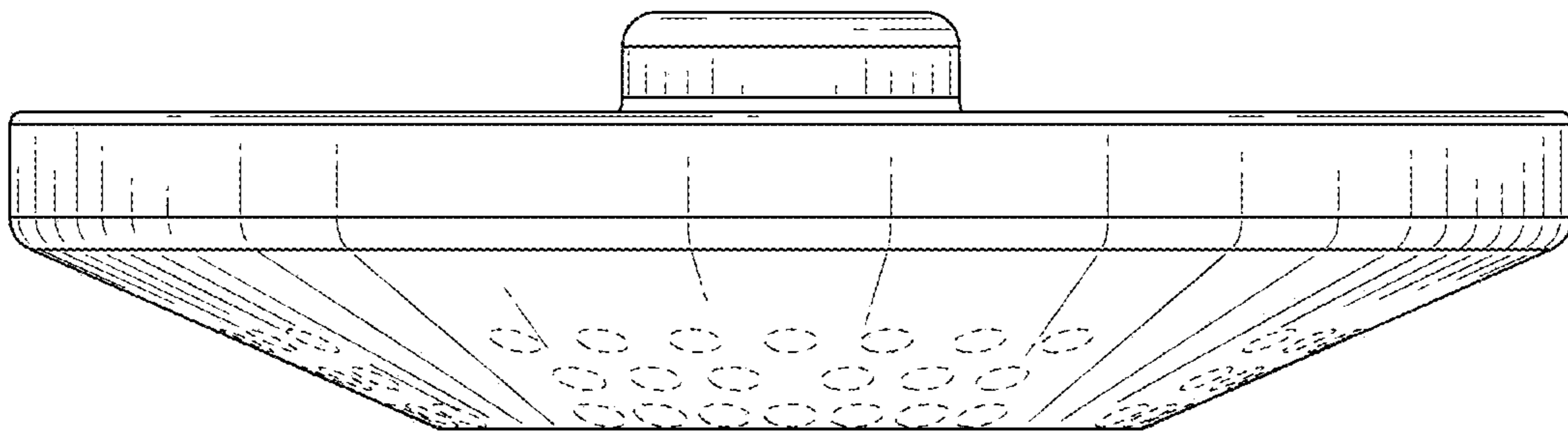


FIG. 3

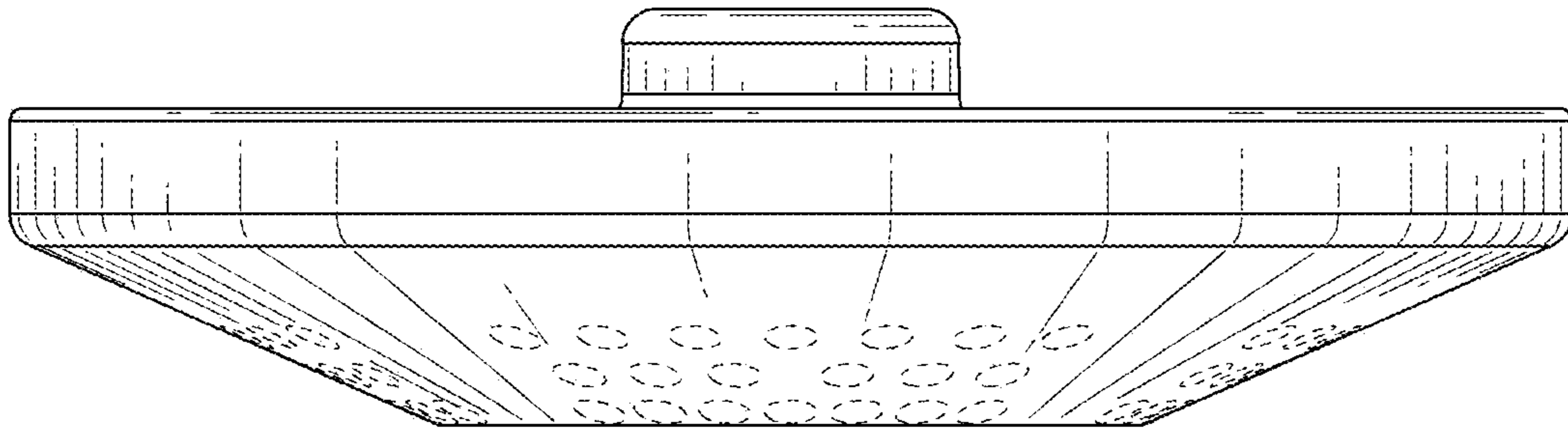


FIG. 4

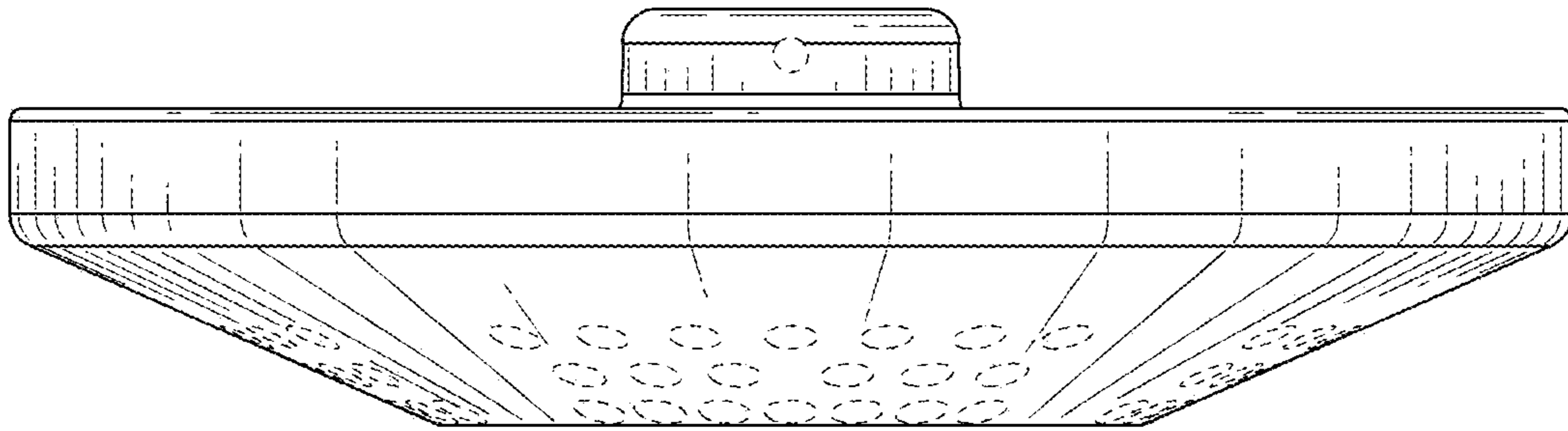


FIG. 5

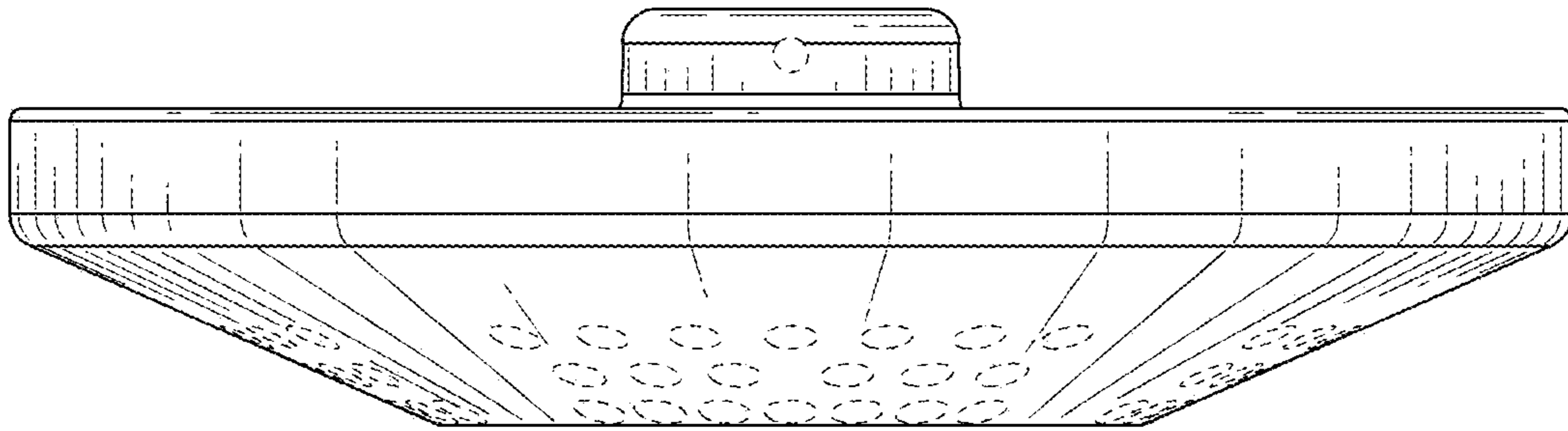


FIG. 6

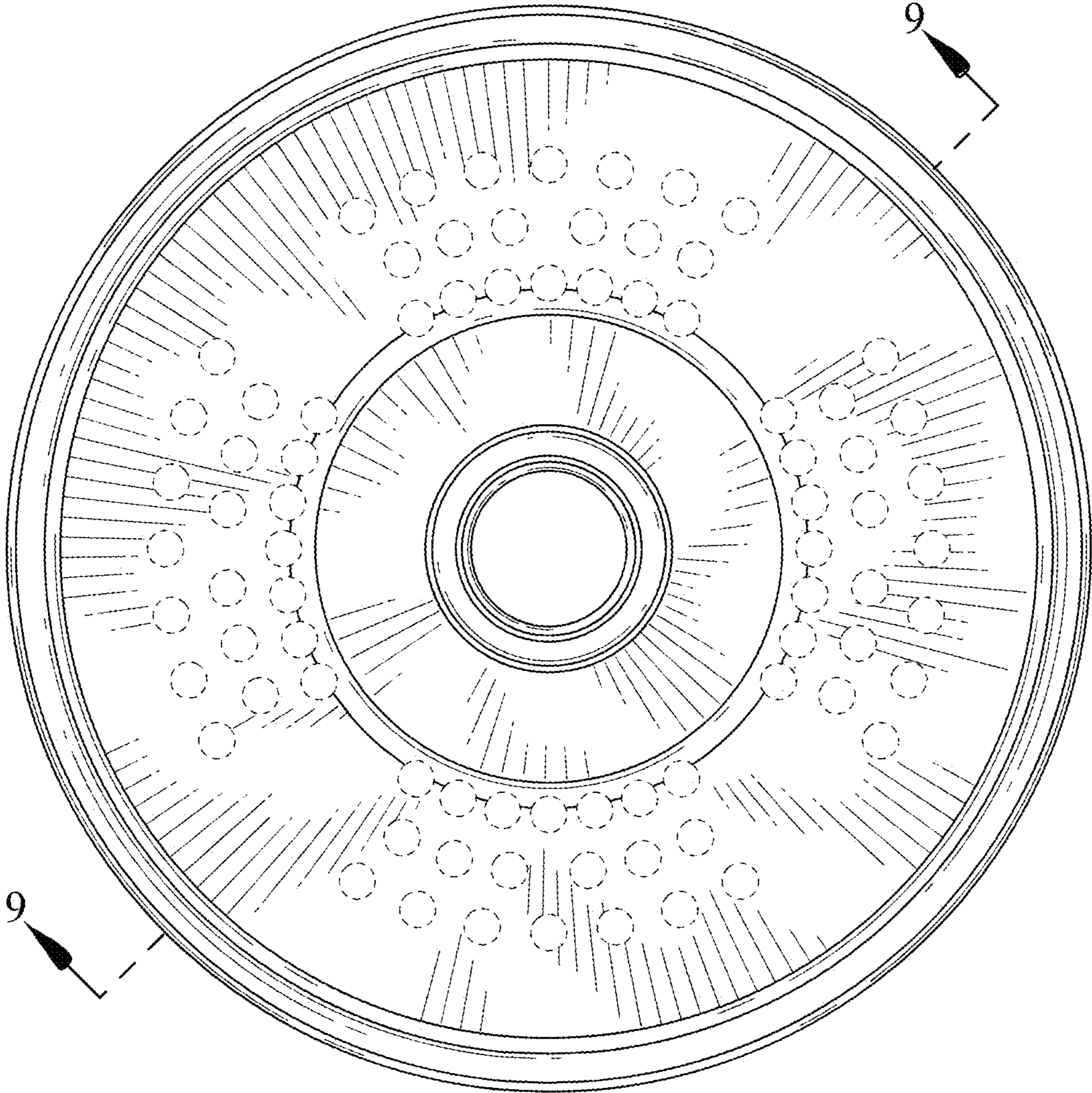


FIG. 7

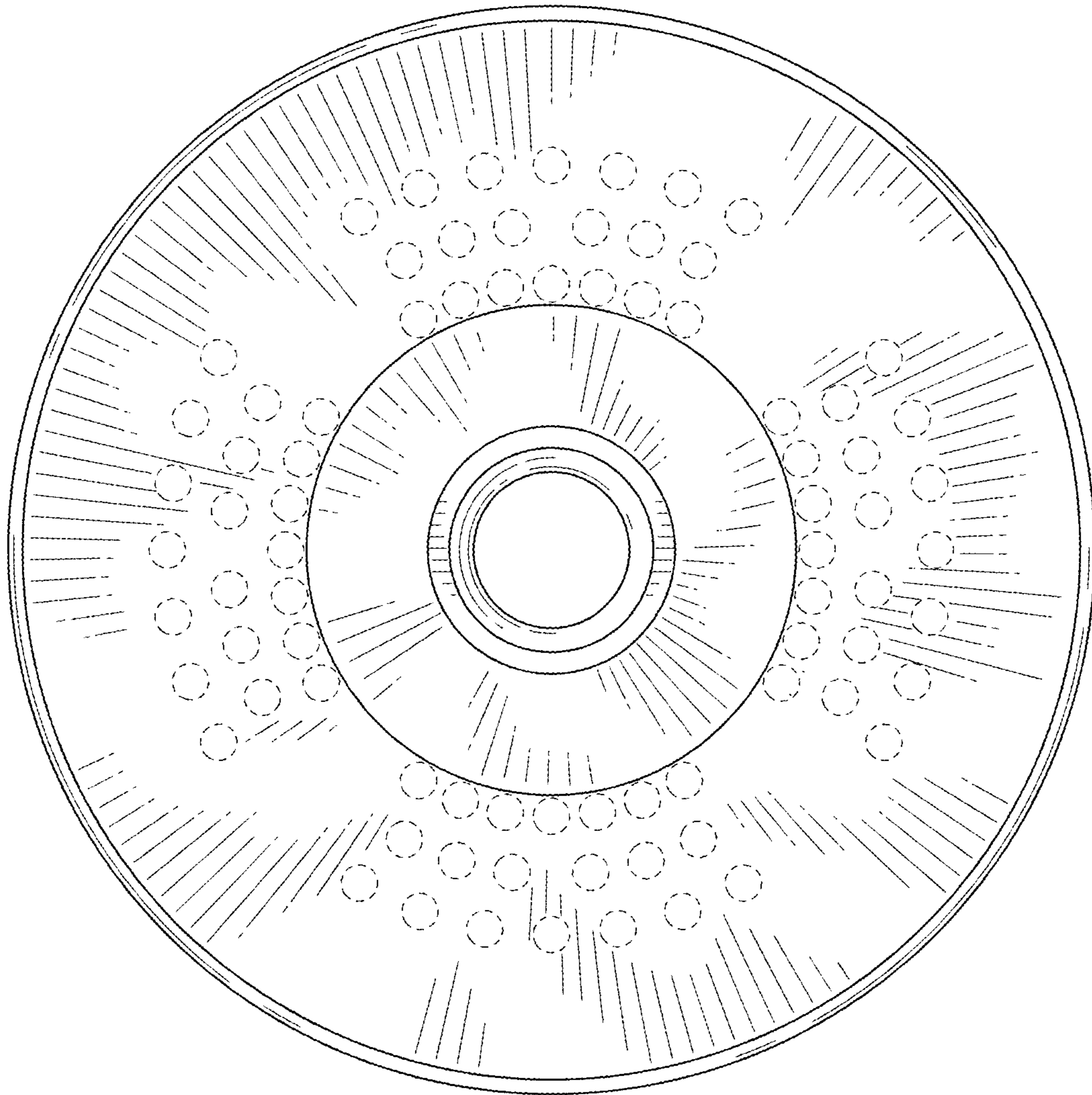


FIG. 8

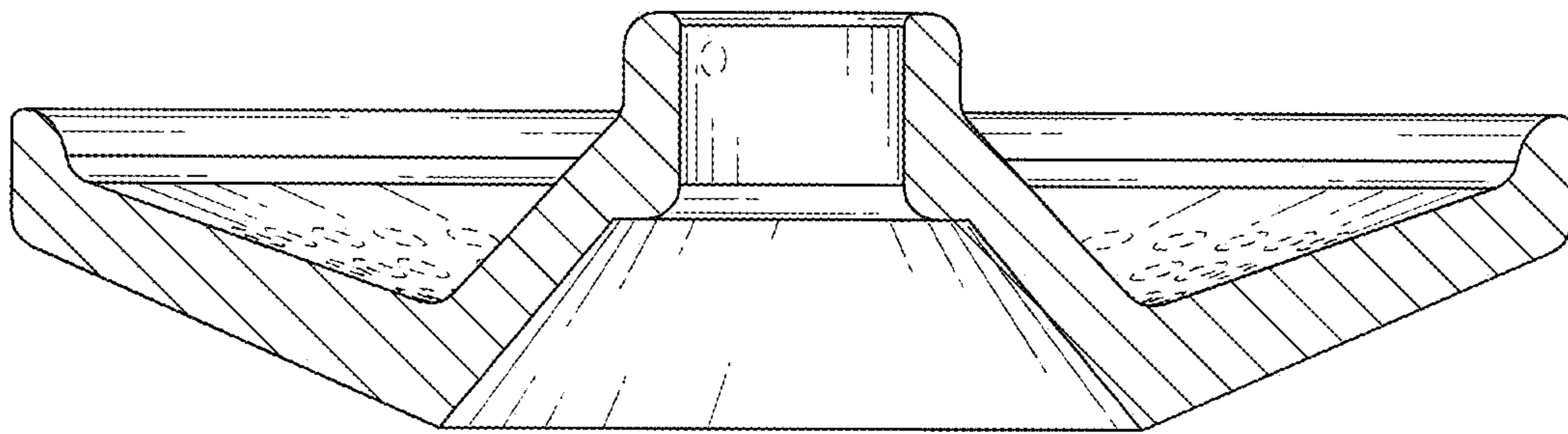


FIG. 9