

US00D954868S

(12) **United States Design Patent** (10) **Patent No.:** **US D954,868 S**
Nimz (45) **Date of Patent:** **** Jun. 14, 2022**

- (54) **VOLLEYBALL TRAINER**
- (71) Applicant: **Larry J. Nimz**, Littleton, CO (US)
- (72) Inventor: **Larry J. Nimz**, Littleton, CO (US)
- (73) Assignee: **Cloud 9 Sports LLC**, Denver, CO (US)
- (**) Term: **15 Years**
- (21) Appl. No.: **29/687,462**
- (22) Filed: **Apr. 12, 2019**
- (51) **LOC (13) Cl.** **21-02**
- (52) **U.S. Cl.**
 USPC **D21/699**
- (58) **Field of Classification Search**
 USPC D21/428, 453, 457, 698-705, 302-425;
 D9/425, 428
 CPC ... A63B 69/0071; A63B 63/083; A63B 47/00;
 A45F 3/04; A45C 7/0086
 See application file for complete search history.

- D482,417 S * 11/2003 Oister D21/313
 D484,201 S * 12/2003 Liao D21/703
 6,932,723 B1 * 8/2005 Klinger A63B 69/0071
 473/422
 D513,152 S * 12/2005 Cahen D7/399
 7,094,166 B2 * 8/2006 Beane A63B 63/083
 473/485
 D540,407 S * 4/2007 Grant D21/699
 D554,193 S * 10/2007 Palmeri D21/305
 7,281,999 B1 * 10/2007 Miller A63B 63/083
 473/481
 7,390,274 B2 * 6/2008 Bradford A63B 63/083
 473/485

(Continued)

Primary Examiner — Mehri F Bajoul
 (74) *Attorney, Agent, or Firm* — Leyendecker & Lemire, LLC

(57) **CLAIM**

The ornamental design for a volleyball trainer, as shown and described.

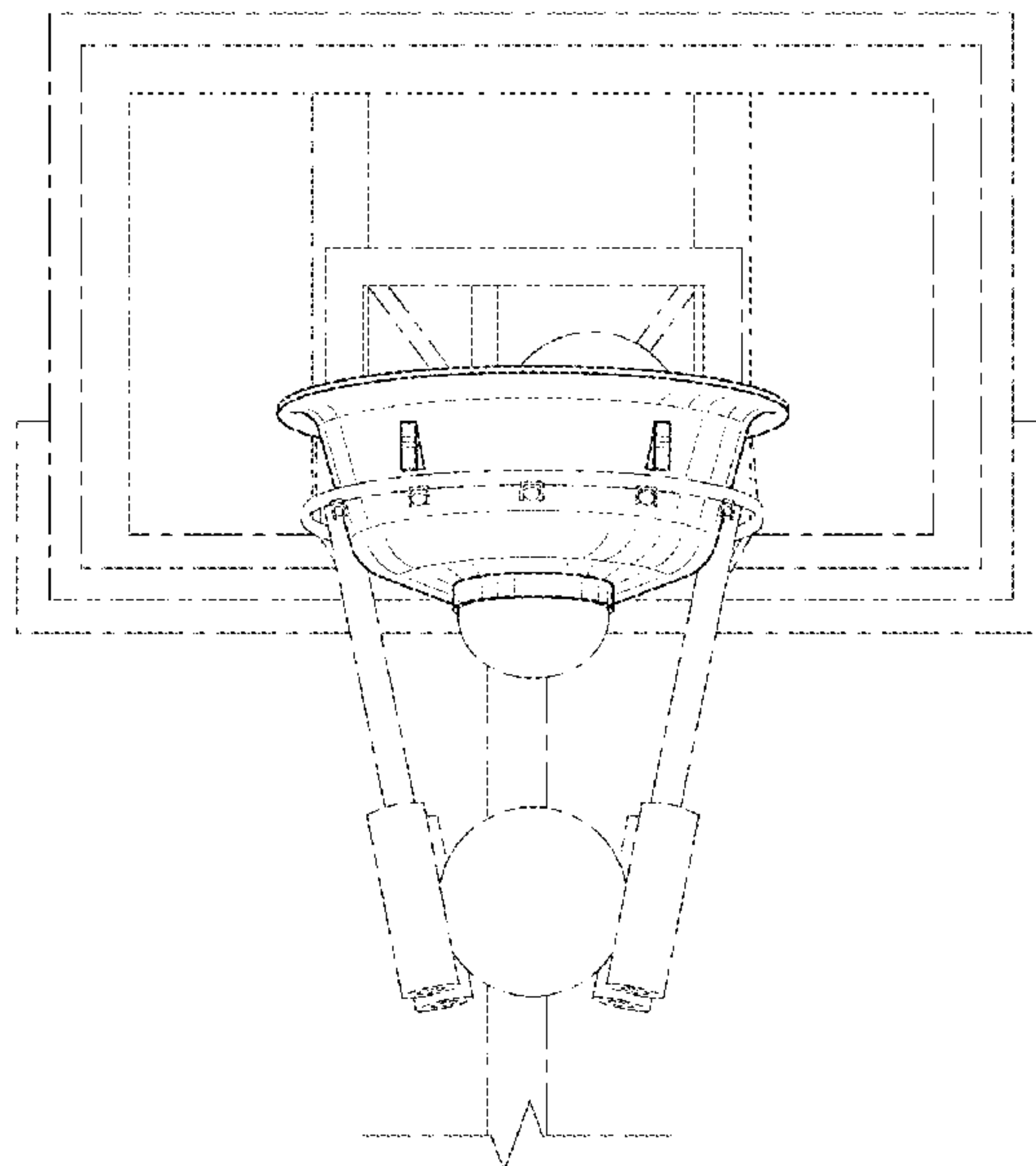
DESCRIPTION

FIG. 1 is a front perspective view of a volleyball trainer according to the present invention.
 FIG. 2 is a top right perspective view of the volleyball trainer according to the present invention.
 FIG. 3 is a right side view of the volleyball trainer, the left side view being identical, according to the present invention.
 FIG. 4 is a front view of the volleyball trainer, the back view being identical, according to the present invention.
 FIG. 5 is a top view of the volleyball trainer according to the present invention; and,
 FIG. 6 is a bottom view of the volleyball trainer according to the present invention.
 The broken lines on the claimed volleyball trainer, in FIGS. 1-6, depict portions that form no part of the claimed design. The remaining broken lines, in FIG. 1, depict environmental structure and form no part of the claim.

(56) **References Cited**
 U.S. PATENT DOCUMENTS

- D285,032 S * 8/1986 Alonzo D11/152
 D336,500 S * 6/1993 Driska D21/702
 D352,537 S * 11/1994 Pifer D21/705
 D354,534 S * 1/1995 Michalik D21/703
 D367,690 S * 3/1996 Jimick D21/703
 5,536,003 A * 7/1996 Brenner A63B 63/083
 273/402
 D429,784 S * 8/2000 Brown D21/704
 D429,896 S * 8/2000 Clarke D21/703
 D431,620 S * 10/2000 Hill D21/704
 6,286,674 B1 * 9/2001 Richard A45F 3/04
 206/315.9
 D469,333 S * 1/2003 Staples D8/339
 6,572,496 B1 * 6/2003 Brown A63B 69/0071
 273/392

1 Claim, 6 Drawing Sheets



(56)

References Cited

U.S. PATENT DOCUMENTS

7,429,224	B2 *	9/2008	Publicover	A63B 63/083 473/479
7,488,264	B2 *	2/2009	Seaman	A63B 63/083 473/422
7,597,635	B2 *	10/2009	Davies	A63B 69/0071 473/433
7,628,718	B2 *	12/2009	Connerley	A63B 63/083 473/485
D670,539	S *	11/2012	Starr	D7/400
D696,363	S *	12/2013	Holland	D21/701
D704,780	S *	5/2014	Brown	D21/704
8,992,350	B2 *	3/2015	Green	A63B 63/083 473/484
D734,822	S *	7/2015	Cappello	D21/698
D793,498	S *	8/2017	Manus	D21/701
D802,691	S *	11/2017	Cornell	D21/702
D827,062	S *	8/2018	Su	D21/702
D872,815	S *	1/2020	Parsons	D21/699
D887,263	S *	6/2020	Dominion	D9/425
D893,293	S *	8/2020	Fedorak	D9/428
D899,921	S *	10/2020	Troutt	D9/425
D902,708	S *	11/2020	Ruppel	D9/425
2007/0191142	A1 *	8/2007	Davies	A63B 69/0071 473/447
2010/0147848	A1 *	6/2010	Rider, Jr.	B65D 43/021 220/203.09
2014/0224816	A1 *	8/2014	Topolosky	A63B 67/06 220/737

* cited by examiner

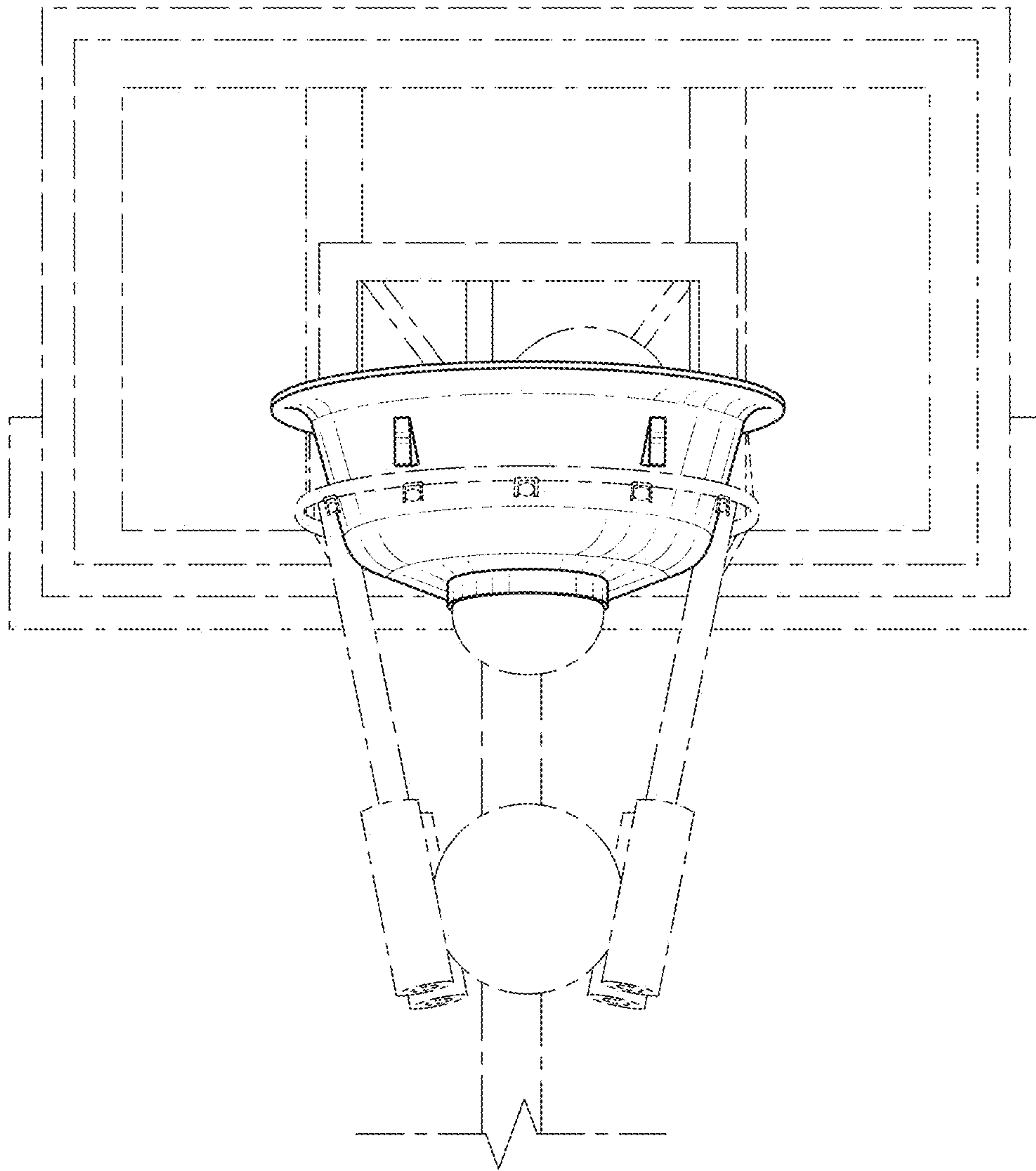


FIG. 1

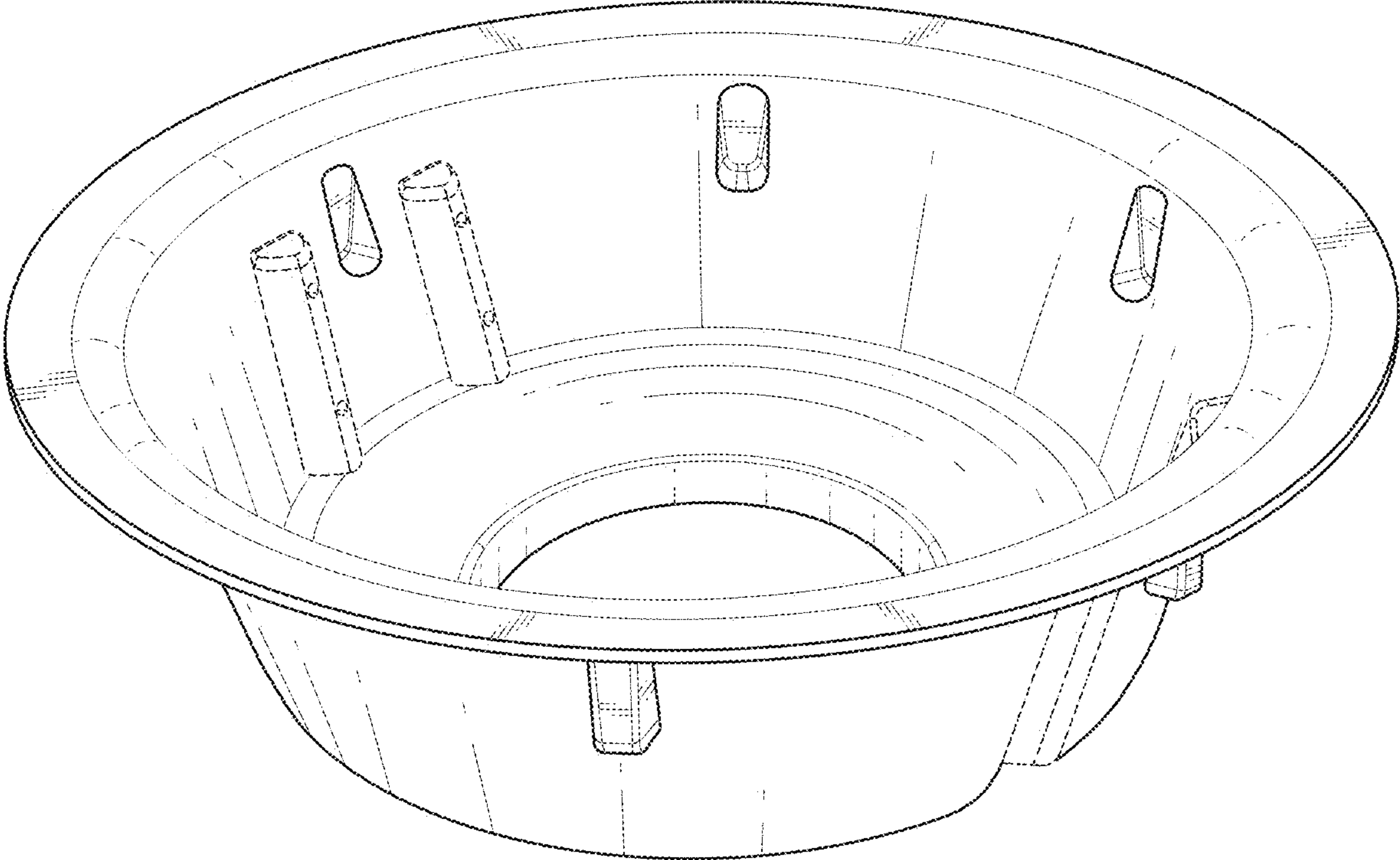


FIG. 2

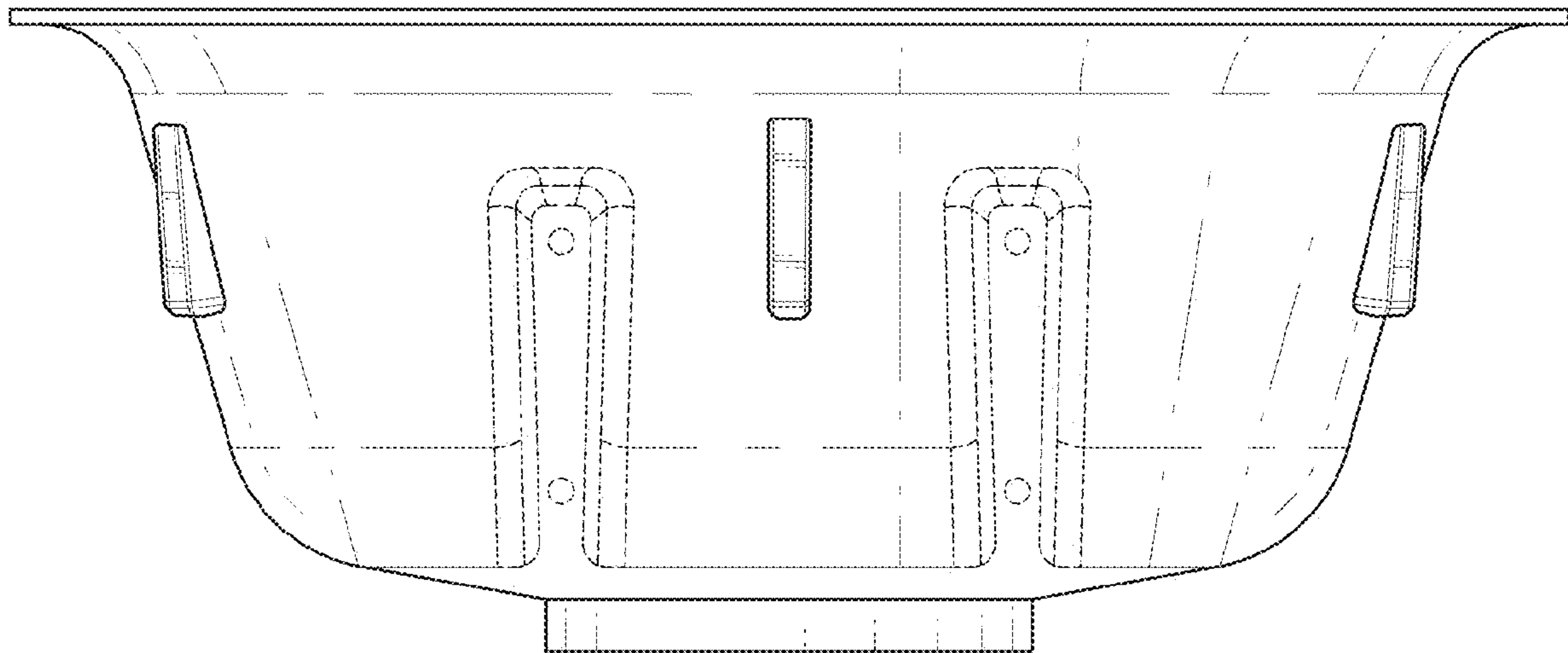


FIG. 3

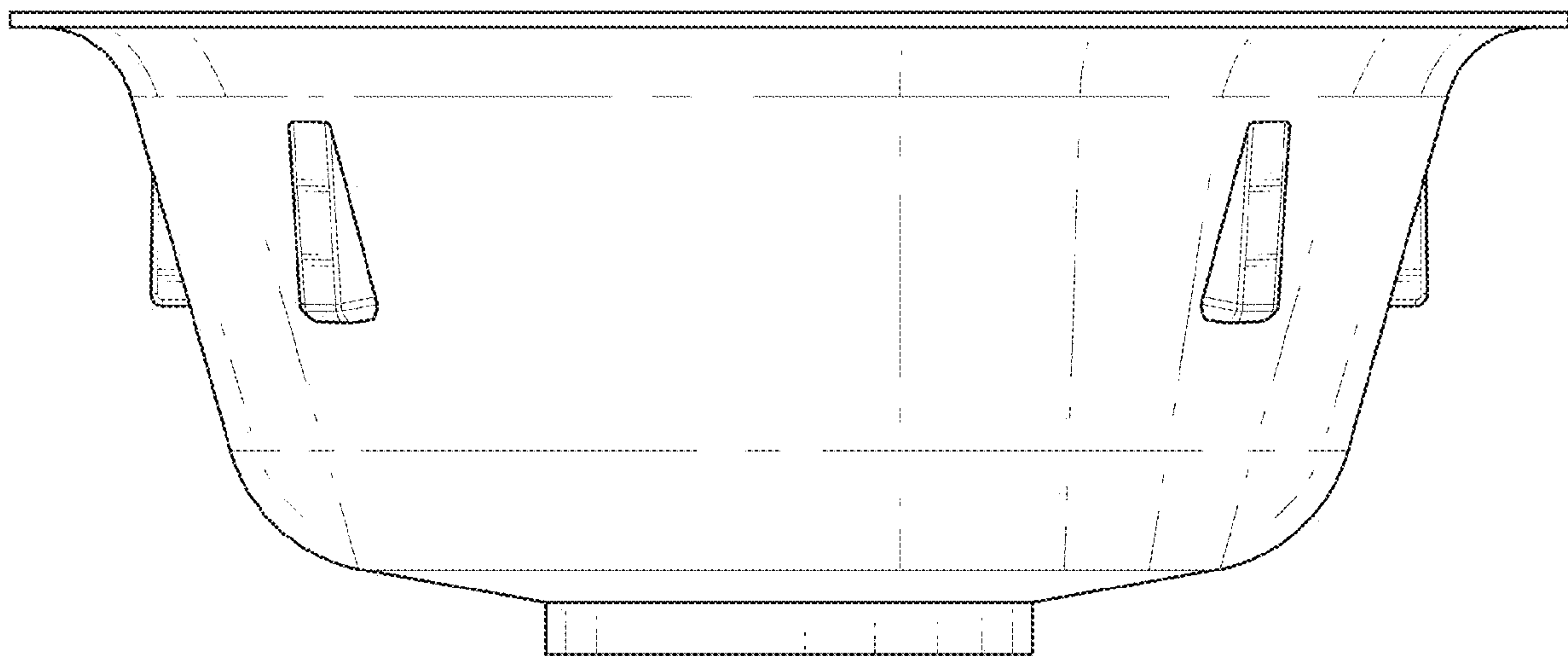


FIG. 4

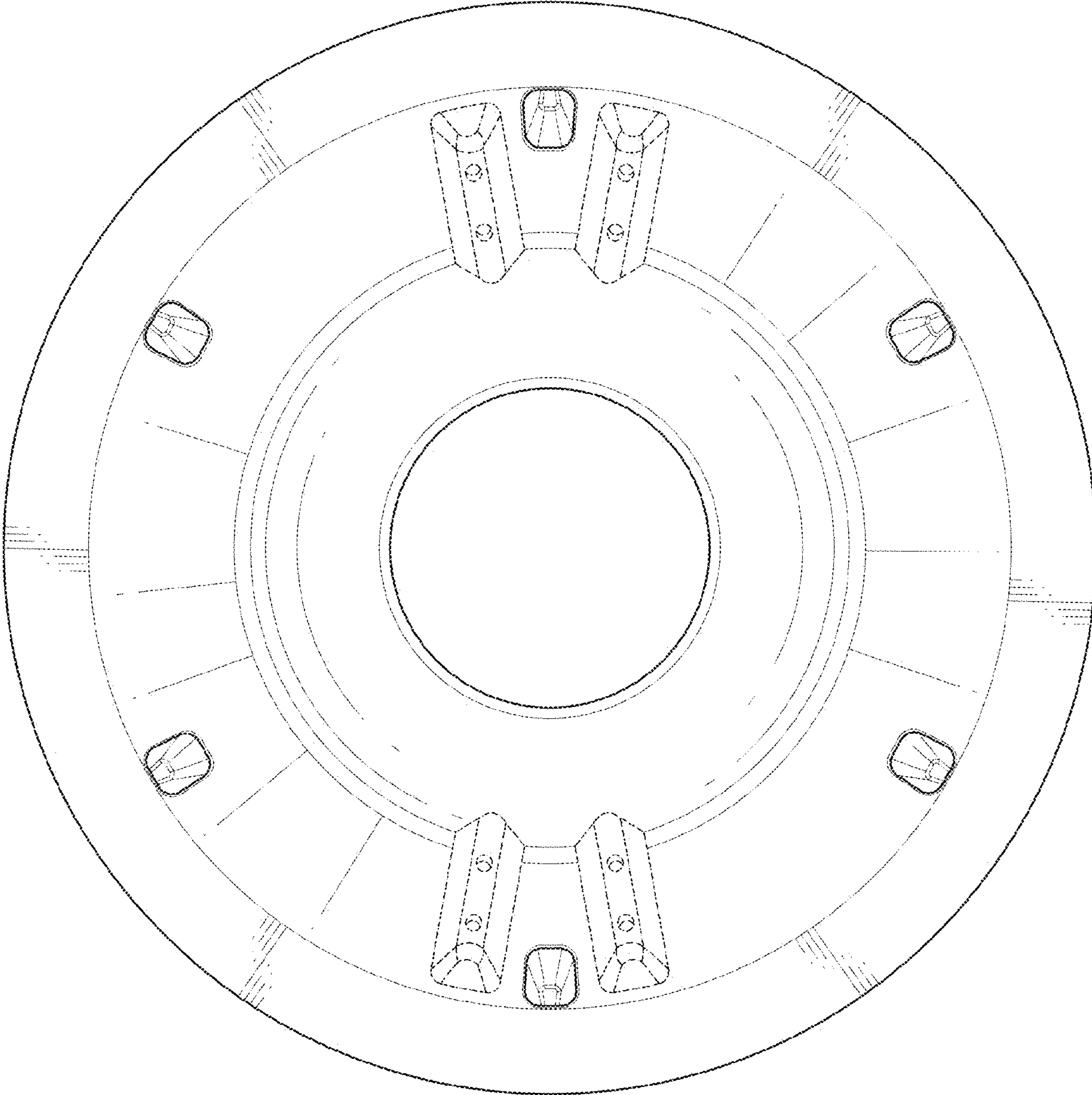


FIG. 5

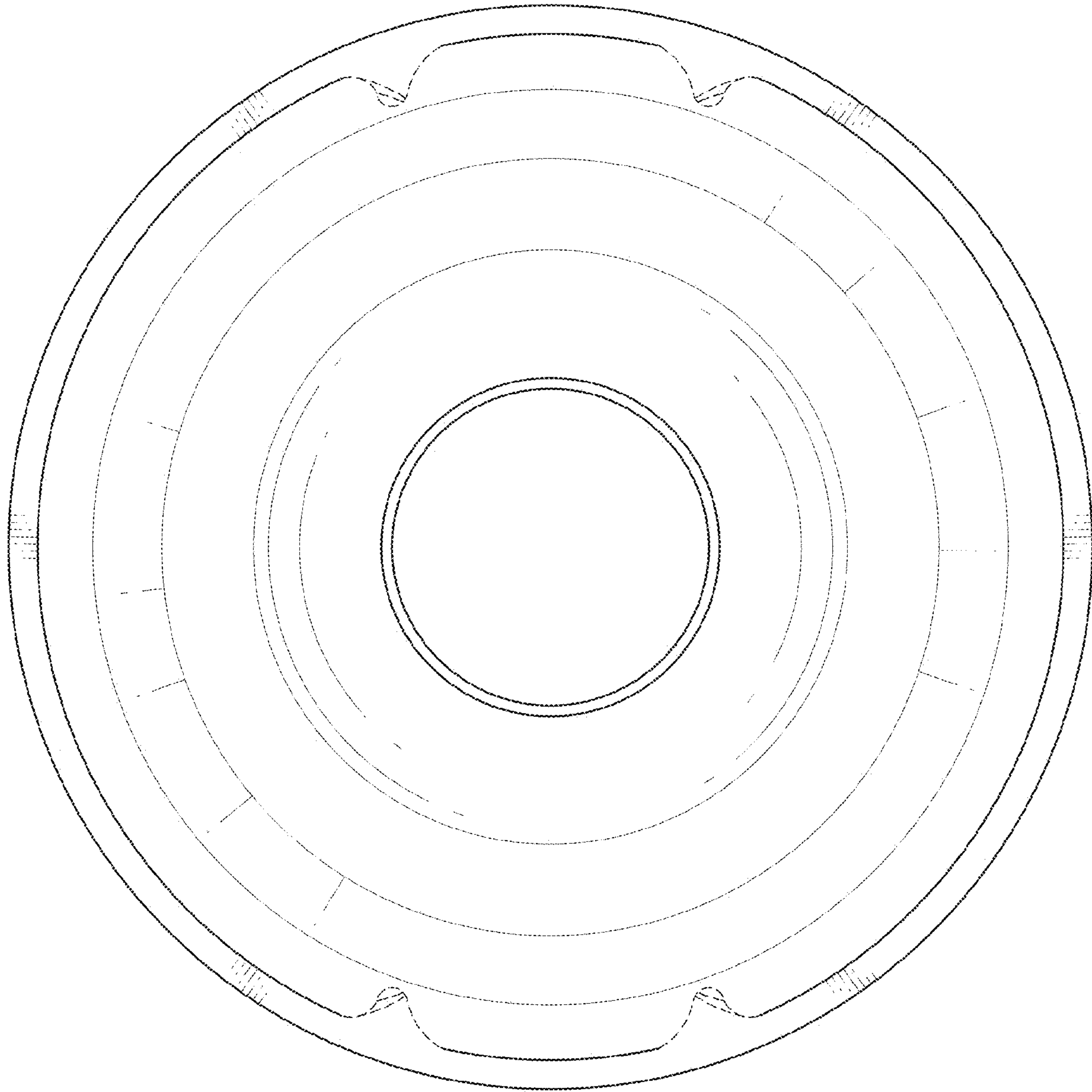


FIG. 6