



US00D954866S

(12) **United States Design Patent**  
**Pan et al.**

(10) **Patent No.:** **US D954,866 S**  
(45) **Date of Patent:** **\*\* Jun. 14, 2022**

(54) **ABDOMINAL WHEEL**

FOREIGN PATENT DOCUMENTS

(71) Applicant: **Yongkang Keyue Industry and Trade Co., Ltd.**, Zhejiang (CN)

KR 3020200065061 \* 12/2020

(72) Inventors: **Shunli Pan**, Yongkang (CN); **Bangjie Yuan**, Henan Province (CN)

OTHER PUBLICATIONS

(\*\*) Term: **15 Years**

Maxspace, announced 2020 [online], [site visited Feb. 23, 2022]. Available on internet, URL: <https://www.amazon.com/Maxspace-Abdominal-Protection-Equipment-Training/dp/B08CK5QRMG/ref> (Year: 2020).\*

(21) Appl. No.: **29/786,446**

(Continued)

(22) Filed: **Jun. 1, 2021**

(51) **LOC (13) Cl.** ..... **21-02**

*Primary Examiner* — Khawaja Anwar

(52) **U.S. Cl.**

*Assistant Examiner* — Julice Seung Eun Oum

USPC ..... **D21/686**

(57) **CLAIM**

(58) **Field of Classification Search**

USPC ..... D21/662, 694, 692, 679, 680, 684, 686, D21/424, 433, 435, 467, 533, 539, 528

The ornamental design for an abdominal wheel, as shown and described.

See application file for complete search history.

**DESCRIPTION**

(56) **References Cited**

U.S. PATENT DOCUMENTS

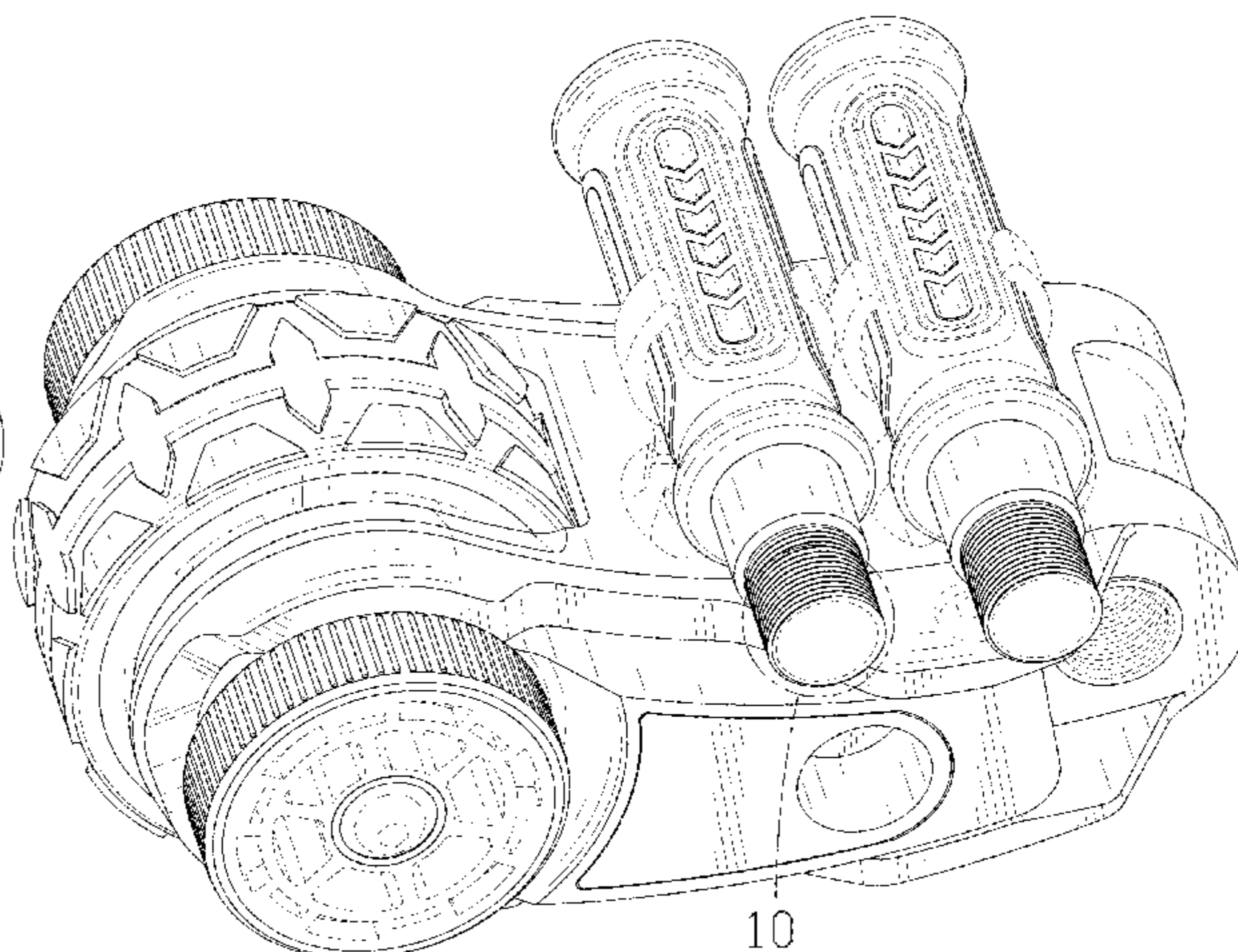
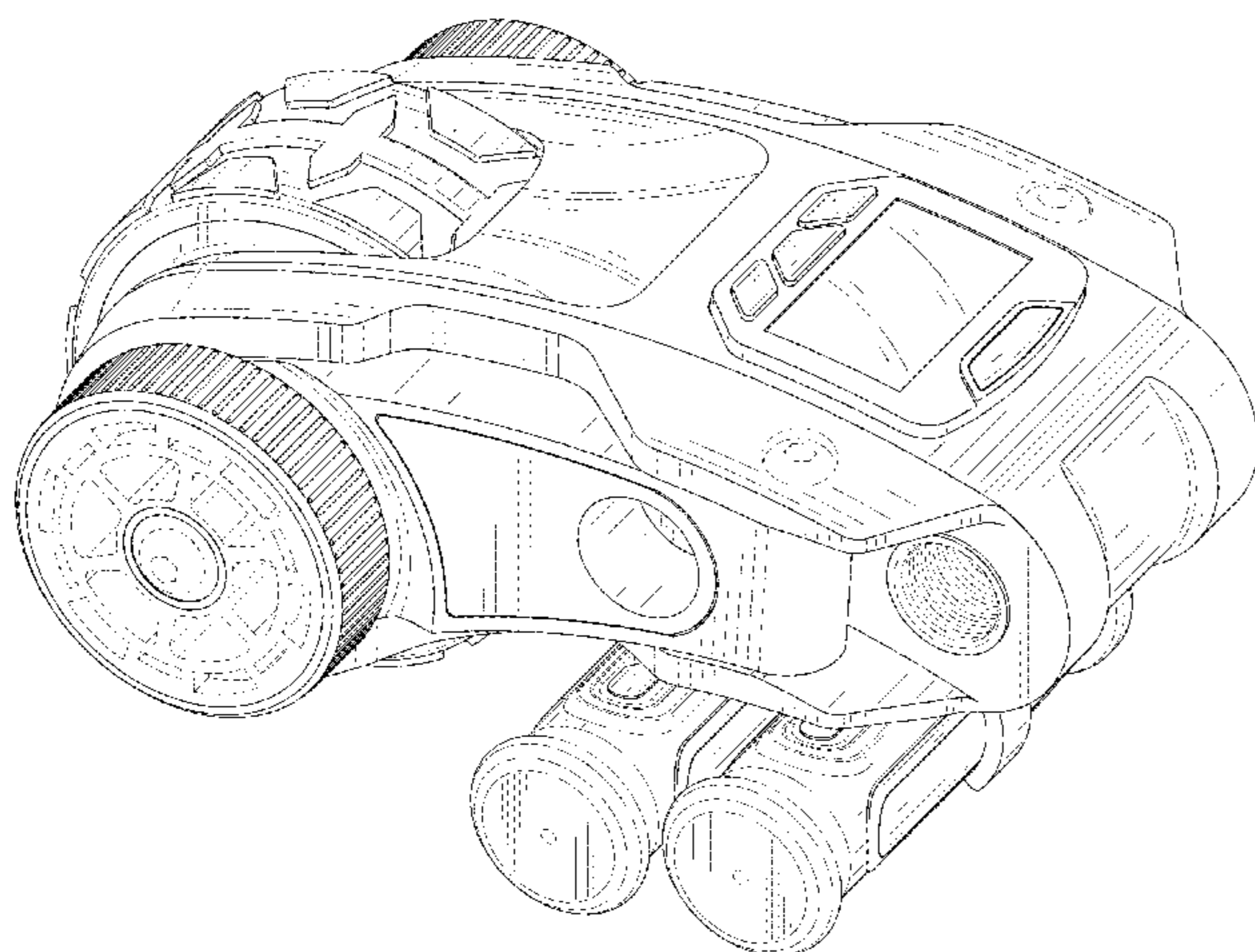
6,254,518 B1 *	7/2001	Yu	.....	A63B 21/0004
				482/140
6,338,703 B1 *	1/2002	Yu	.....	A63B 21/0552
				482/127
D453,363 S *	2/2002	Zhang	.....	D21/662
6,348,027 B1 *	2/2002	Lee	.....	A63B 21/0455
				482/96
D454,929 S *	3/2002	Huang	.....	D21/662
6,409,639 B1 *	6/2002	Kuo	.....	A63B 21/153
				482/907
6,544,153 B2 *	4/2003	Lee	.....	A63B 21/025
				482/136
6,638,201 B1 *	10/2003	Dischler	.....	A63B 22/20
				482/132
D562,916 S *	2/2008	Laurienzo	.....	D21/533
7,951,052 B1 *	5/2011	Tang	.....	A63B 22/20
				482/132
D671,176 S *	11/2012	Ho	.....	D21/662

(Continued)

FIG. 1 is a front and top perspective view of an abdominal wheel, showing our new design;  
FIG. 2 is a rear and bottom perspective view thereof;  
FIG. 3 is a front elevation view thereof;  
FIG. 4 is a rear elevation view thereof;  
FIG. 5 is a left side elevation view thereof;  
FIG. 6 is a right side elevation view thereof;  
FIG. 7 is a top plan view thereof;  
FIG. 8 is a bottom plan view thereof;  
FIG. 9 is another perspective view thereof shown in an alternative position; and,  
FIG. 10 is an enlarged view of a portion labeled of a portion indicated with numeric 10 in FIG. 2.

The broken lines in the figures illustrate portions of the abdominal wheel, that form no part of the claimed design. The dash dot dash lines in FIGS. 2 and 10 are for the purpose of depicting the cut line of the enlarged view and form no part of the claim.

**1 Claim, 10 Drawing Sheets**



10

(56)

**References Cited**

U.S. PATENT DOCUMENTS

D685,862 S \* 7/2013 Martino ..... D21/533  
D703,275 S \* 4/2014 Martino ..... D21/533  
9,005,089 B2 \* 4/2015 Huang ..... A63B 23/0211  
482/142  
D827,738 S \* 9/2018 Miller ..... D21/688  
D861,808 S 10/2019 Shi  
D906,373 S \* 12/2020 Morin ..... D15/14  
D914,074 S \* 3/2021 Tsuchiya ..... D15/199  
D943,222 S \* 2/2022 Xu ..... D30/122  
2002/0025894 A1 \* 2/2002 Fernandez ..... A63B 21/0004  
482/140

OTHER PUBLICATIONS

Ancheer, announced 2020 [online], [site visited Feb. 23, 2022].  
Available on internet, URL: <https://www.amazon.com/ANCHEER-Workout-Exercise-Equipment-Abdominal/dp/B0888V2C2B/ref> (Year: 2020).\*

Ancheer, announced 2021 [online], [site visited Feb. 23, 2022].  
Available on internet, URL: <https://www.amazon.com/ANCHEER-Intelligent-Automatic-Abdominal-Equipment/dp/B092D7NBDY/>  
ref (Year: 2021).\*

\* cited by examiner

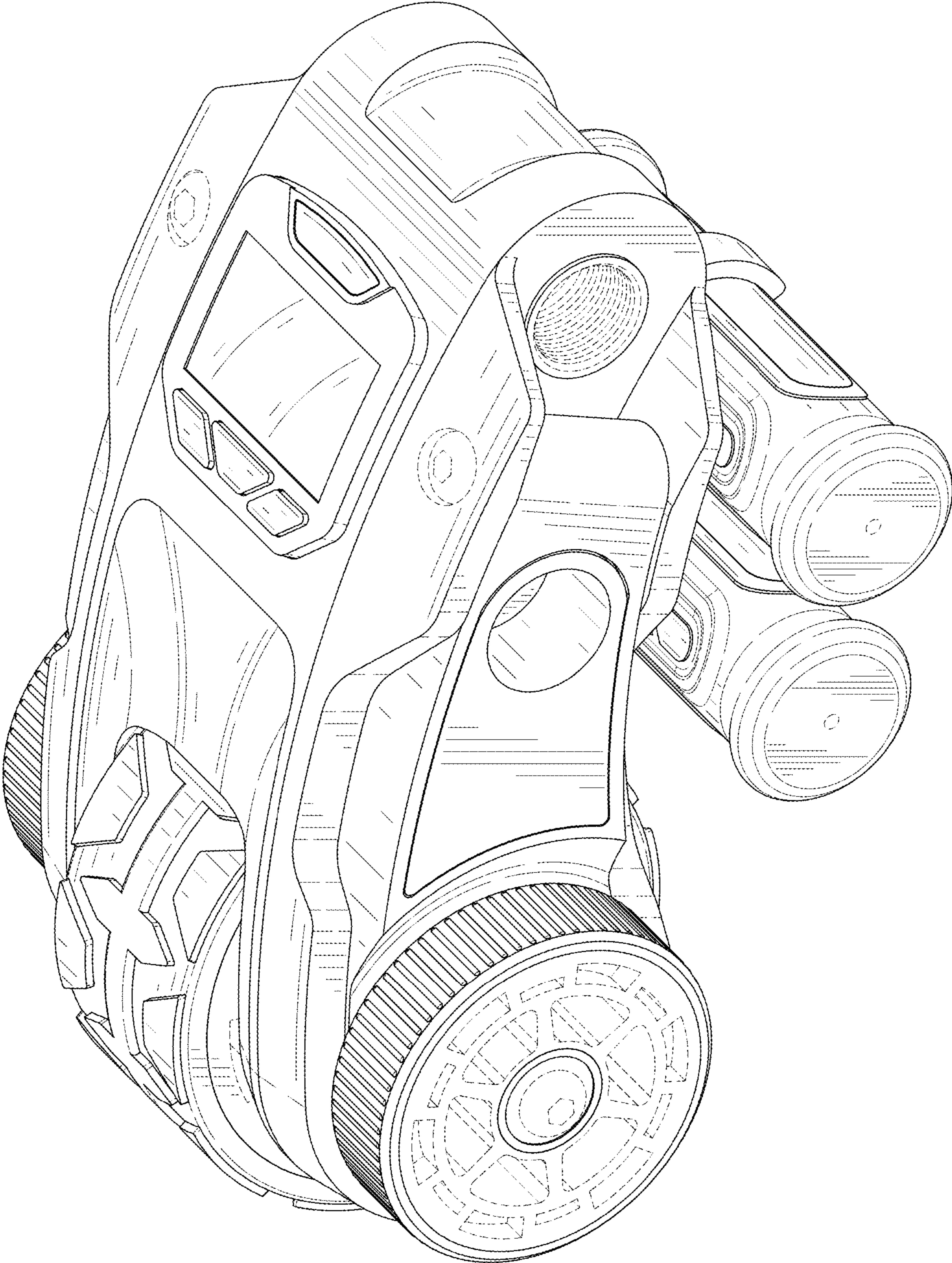


FIG. 1

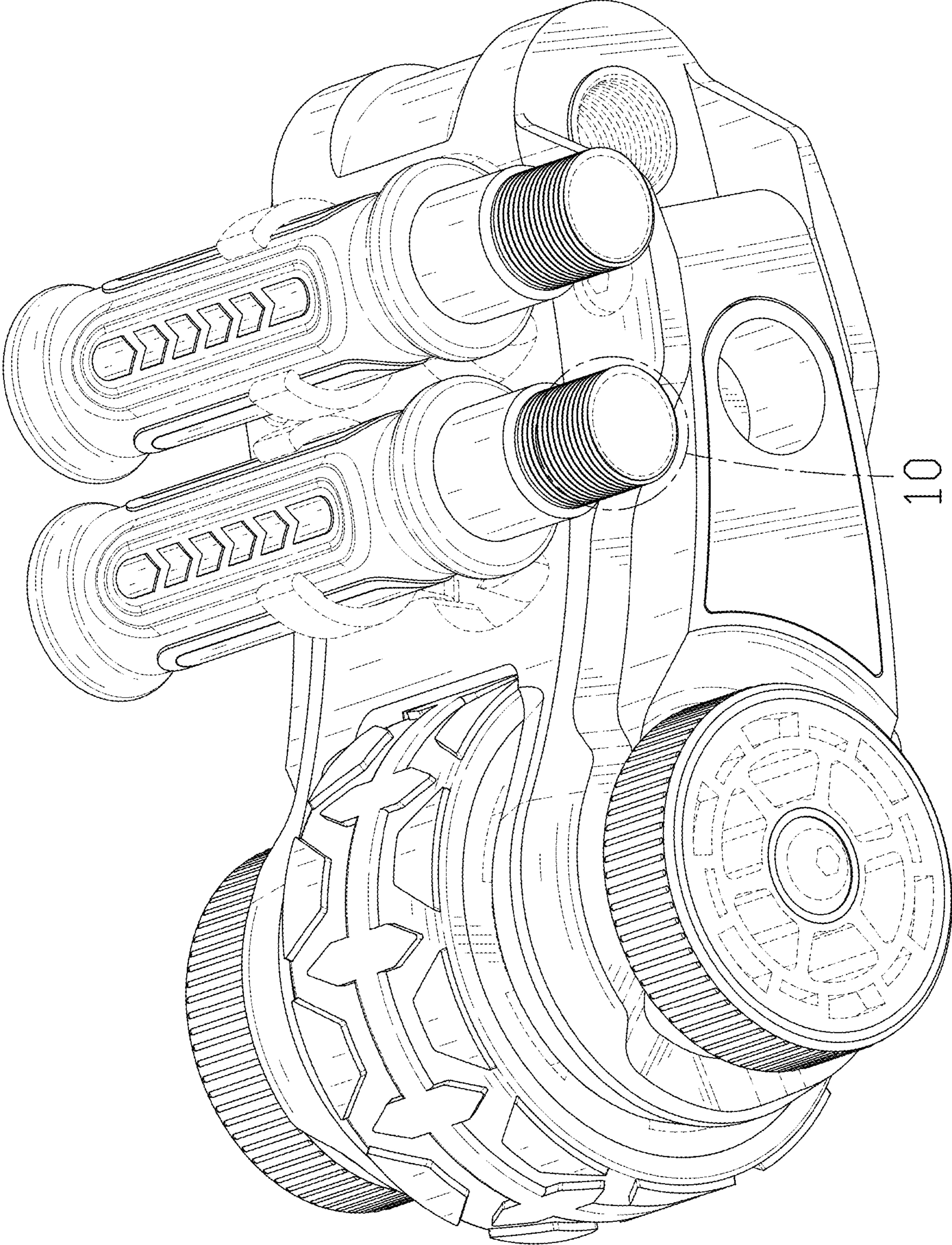


FIG. 2

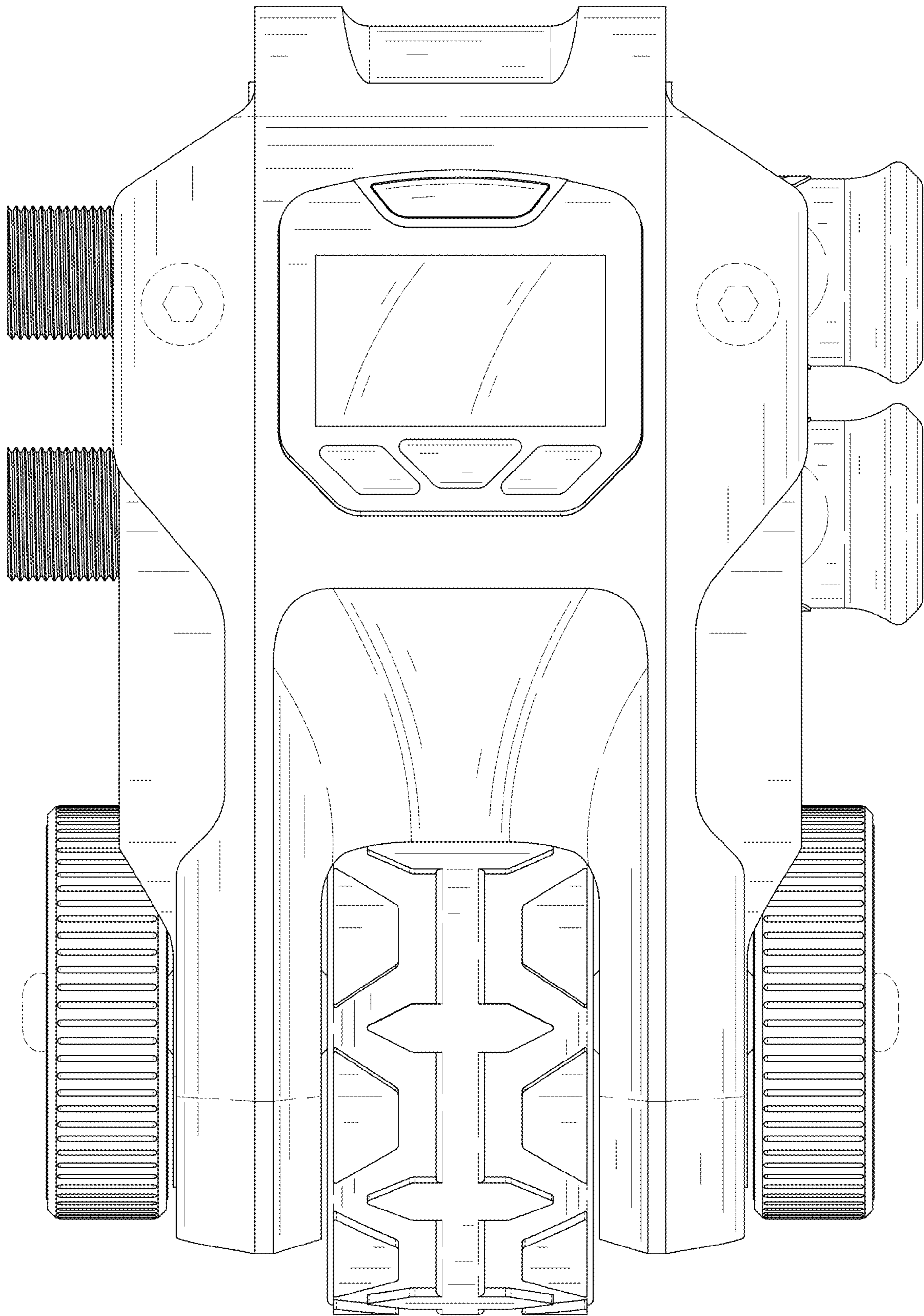


FIG. 3

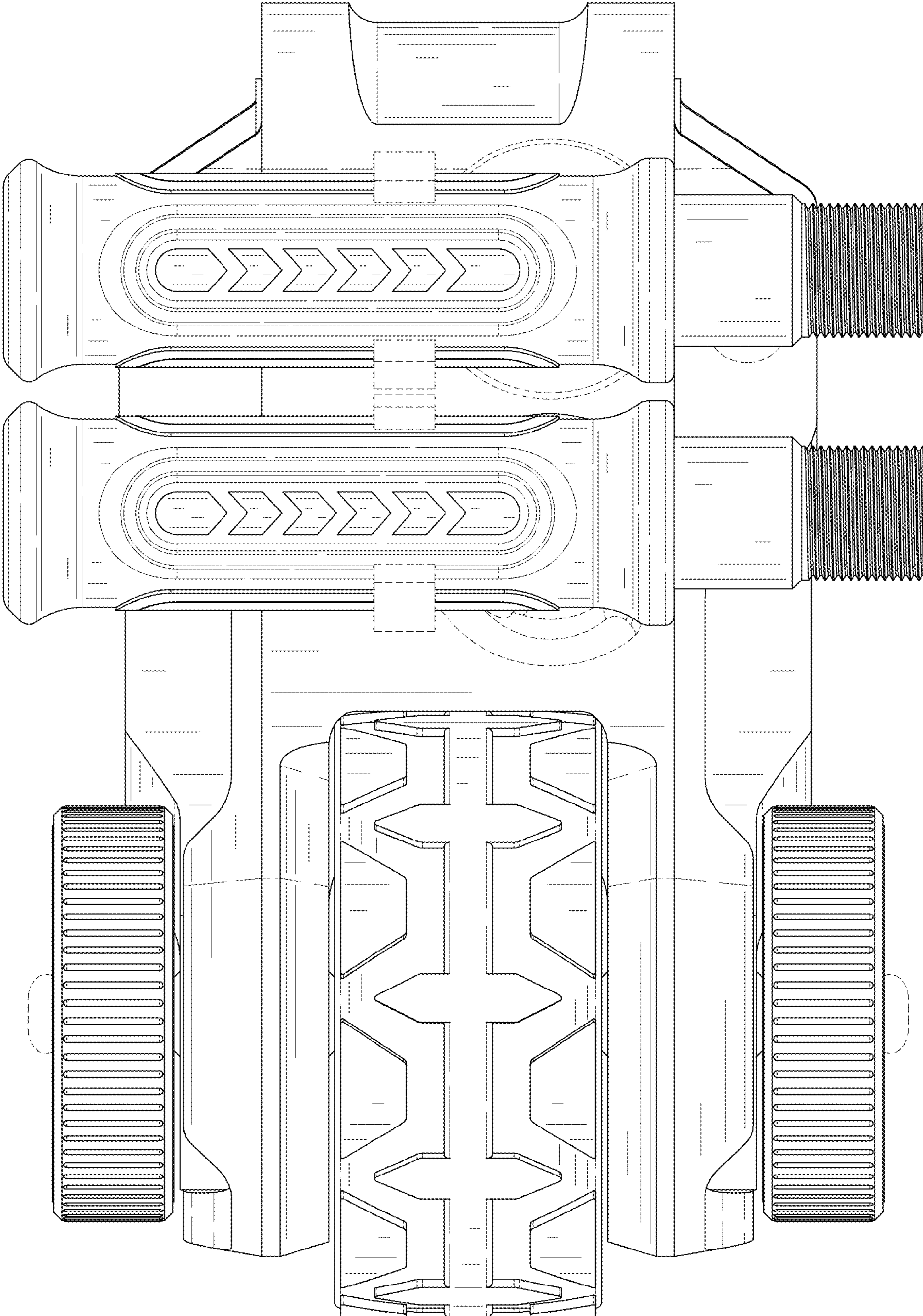


FIG. 4

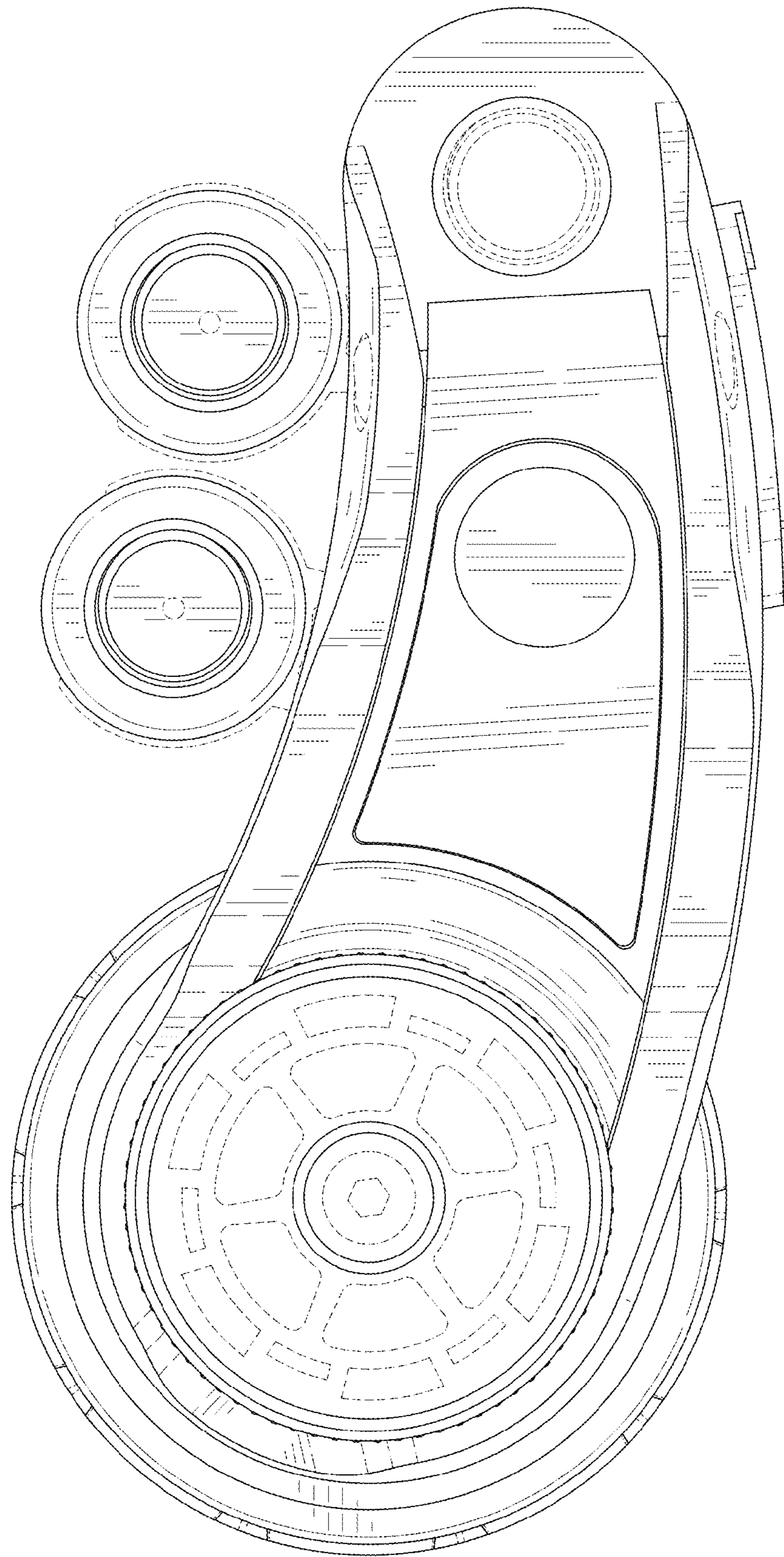


FIG. 5

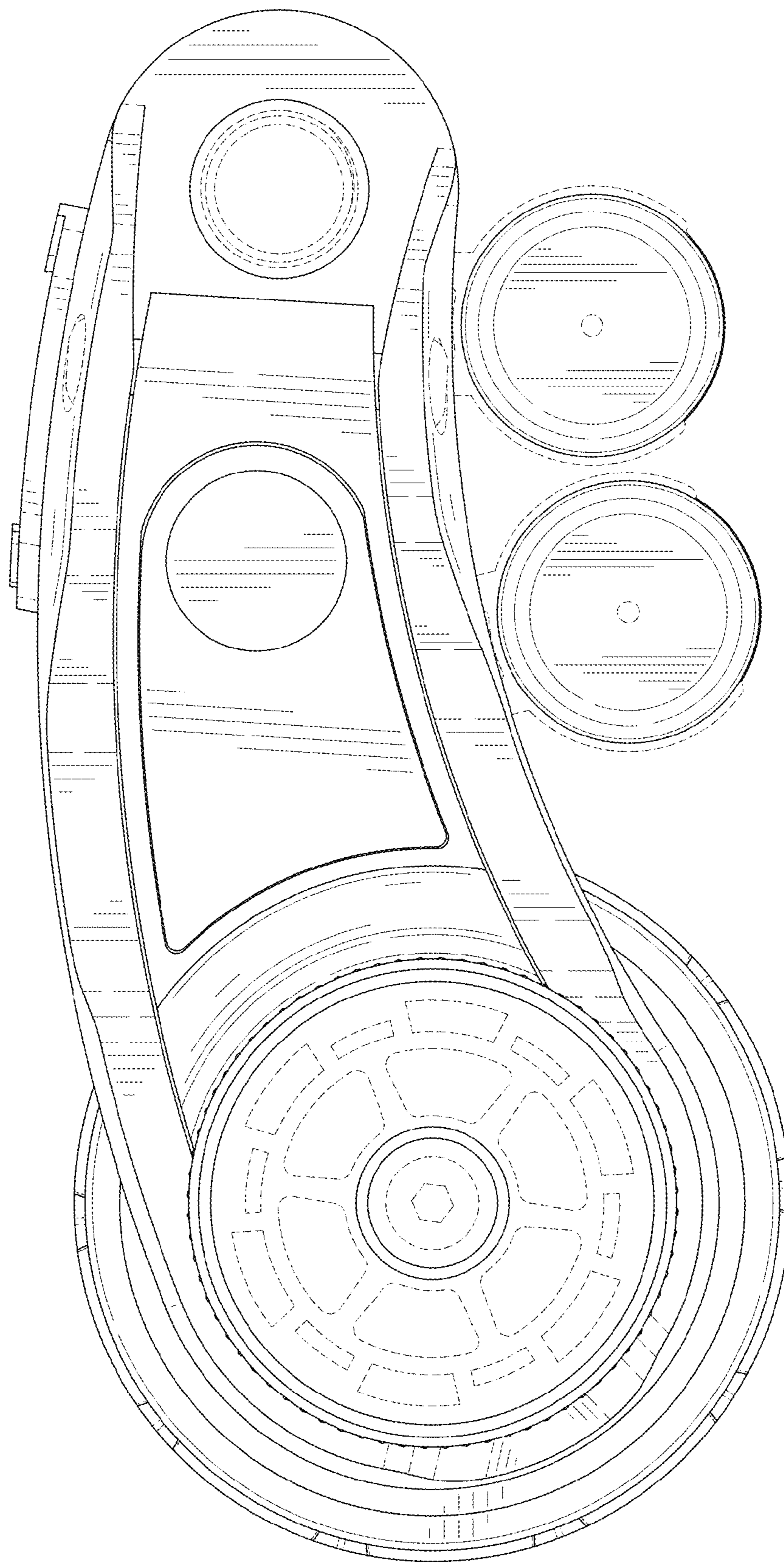


FIG. 6



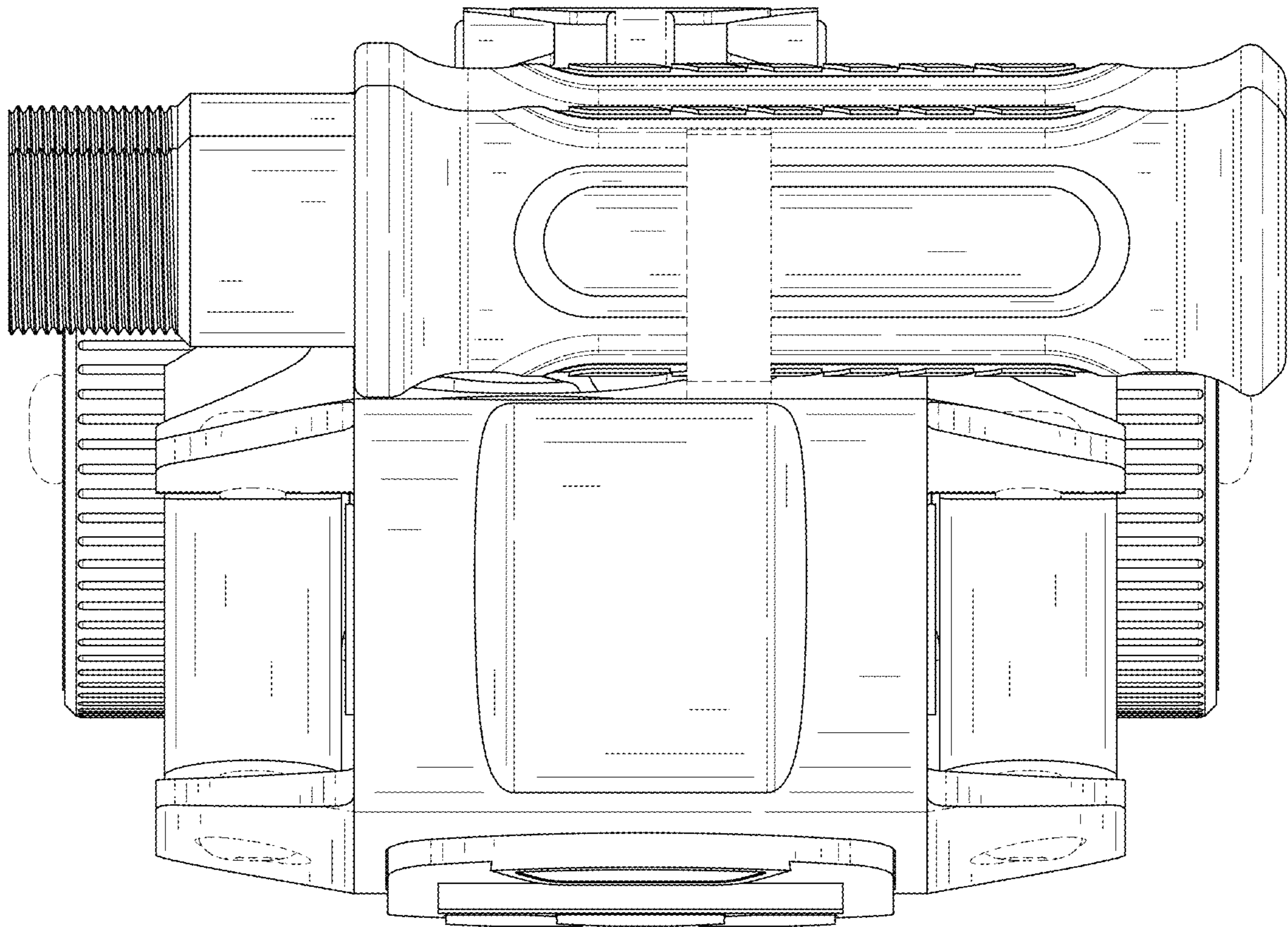


FIG. 7

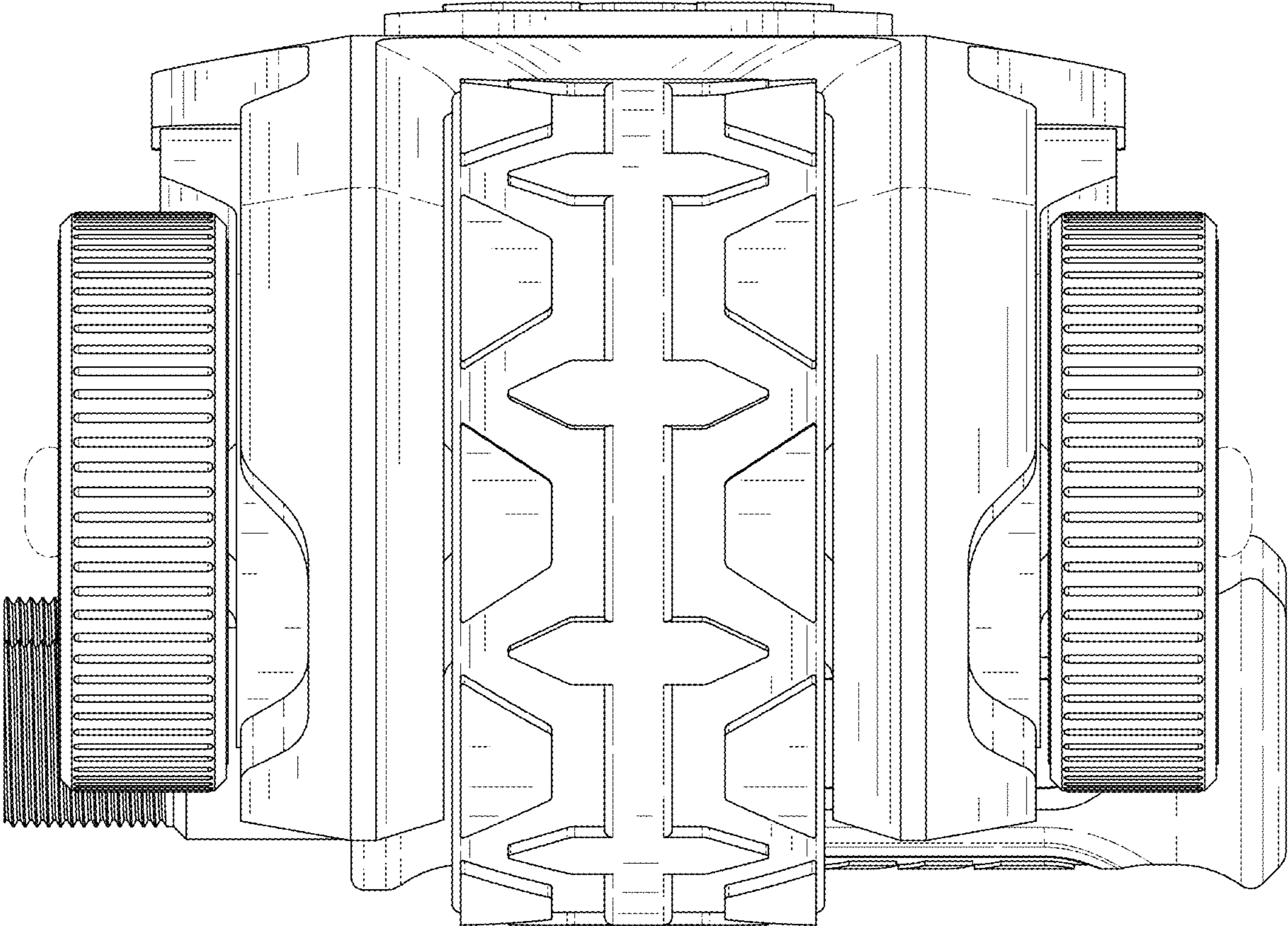


FIG. 8

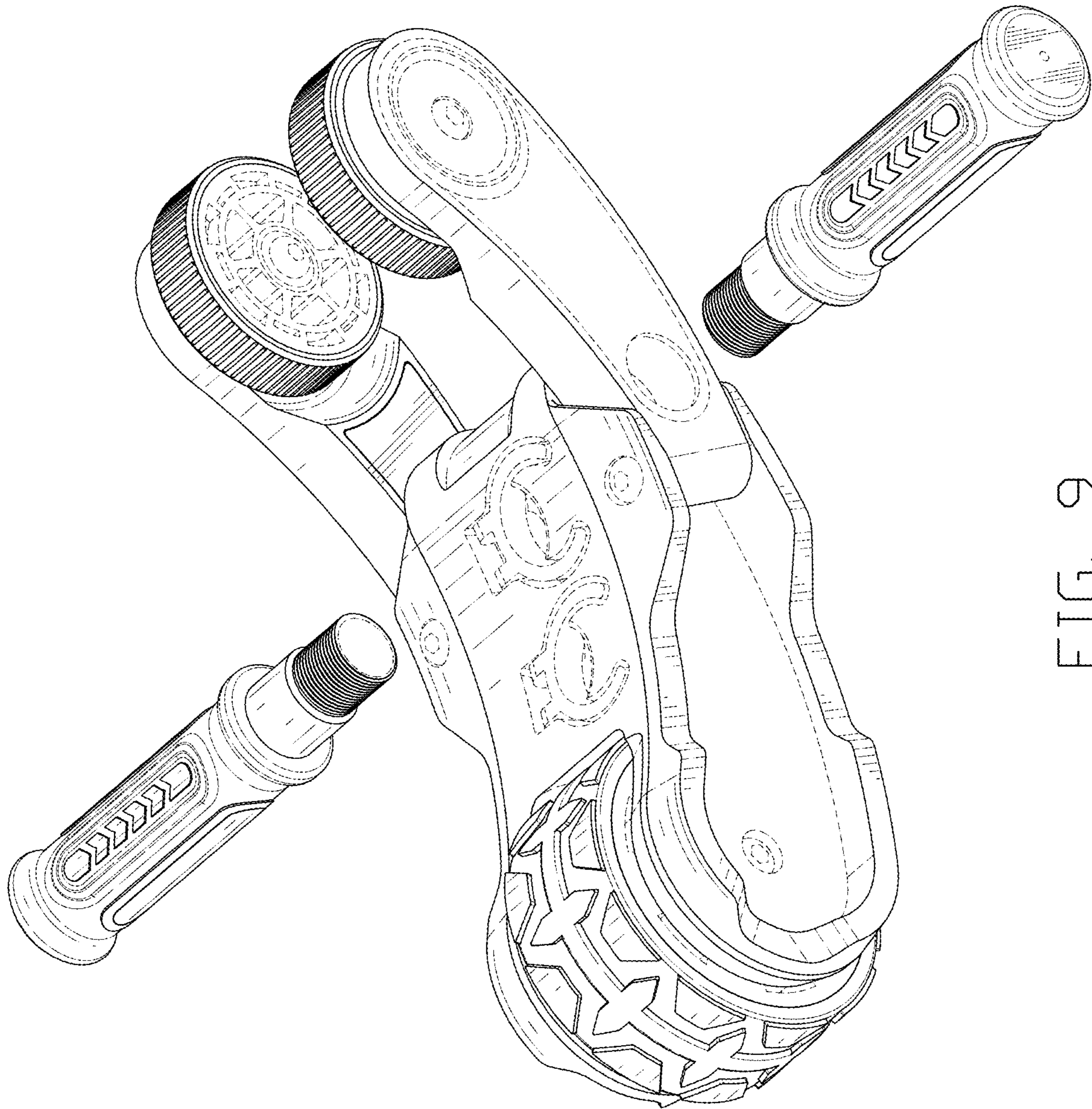


FIG. 9

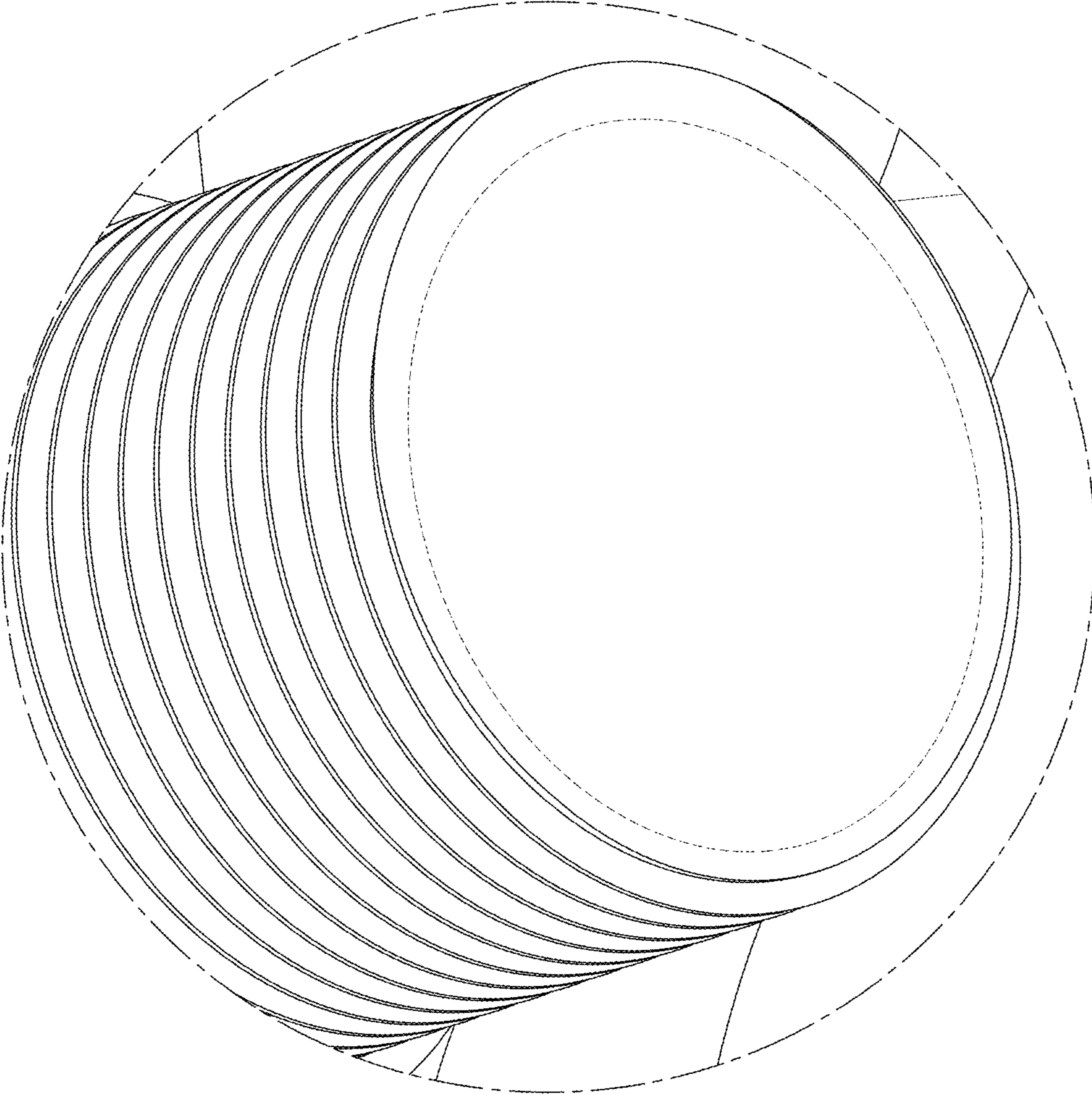


FIG. 10