



US00D954865S

(12) **United States Design Patent**
Tartell

(10) **Patent No.:** **US D954,865 S**

(45) **Date of Patent:** **** Jun. 14, 2022**

- (54) **EXERCISE PLATFORM**
- (71) Applicant: **Michael Tartell**, Roslyn, NY (US)
- (72) Inventor: **Michael Tartell**, Roslyn, NY (US)
- (**) Term: **15 Years**
- (21) Appl. No.: **29/747,355**
- (22) Filed: **Aug. 21, 2020**
- (51) **LOC (13) Cl.** **21-02**
- (52) **U.S. Cl.**
USPC **D21/686**
- (58) **Field of Classification Search**
USPC D21/668, 688, 685, 686, 689; 482/70,
482/79, 71, 132, 34, 146; 472/135, 110;
600/595; 473/451, 452, 269, 409;
D6/349, 353
CPC A63B 26/003; A63B 22/16; A63B 22/18;
A63B 2022/0033; A63B 69/0093; A63B
21/0004; A63B 2208/0204; A63B 22/14;
A63B 22/203; A63B 23/03508; A63B
22/208

See application file for complete search history.

(56) **References Cited**

U.S. PATENT DOCUMENTS

- 3,559,986 A * 2/1971 Ehrmantraut A63B 23/0417
482/70
- D225,342 S * 12/1972 Flick D21/668
- D225,343 S * 12/1972 Flick D21/668
- 4,088,325 A * 5/1978 Sutton A63B 69/3667
472/110
- 4,441,758 A * 4/1984 Fleischer A47C 16/025
248/371
- 4,452,449 A * 6/1984 Propst A63B 22/0056
482/41
- 4,505,477 A * 3/1985 Wilkinson A63B 22/16
280/87.041
- 4,561,649 A * 12/1985 Forsythe A47C 16/025
482/121

- 4,693,470 A * 9/1987 Ogawa A63B 21/00047
482/79
- 4,694,684 A * 9/1987 Campbell, III A63C 11/26
280/809
- 4,759,542 A * 7/1988 Hudec A63B 22/14
482/146
- D298,266 S * 10/1988 Reyneke D21/685
- D313,521 S * 1/1991 Hassel D6/349
- 5,087,036 A * 2/1992 Cooper A63B 23/085
482/79
- D347,869 S * 6/1994 Friend D21/685
- 5,328,421 A * 7/1994 Stanalajczo A63B 22/16
482/34
- 5,348,377 A * 9/1994 Grosch A47C 16/025
108/8
- 5,419,618 A * 5/1995 Hatcher A47C 16/025
297/423.45

(Continued)

Primary Examiner — Ryan Harvey

(74) *Attorney, Agent, or Firm* — Collard & Roe, P.C.

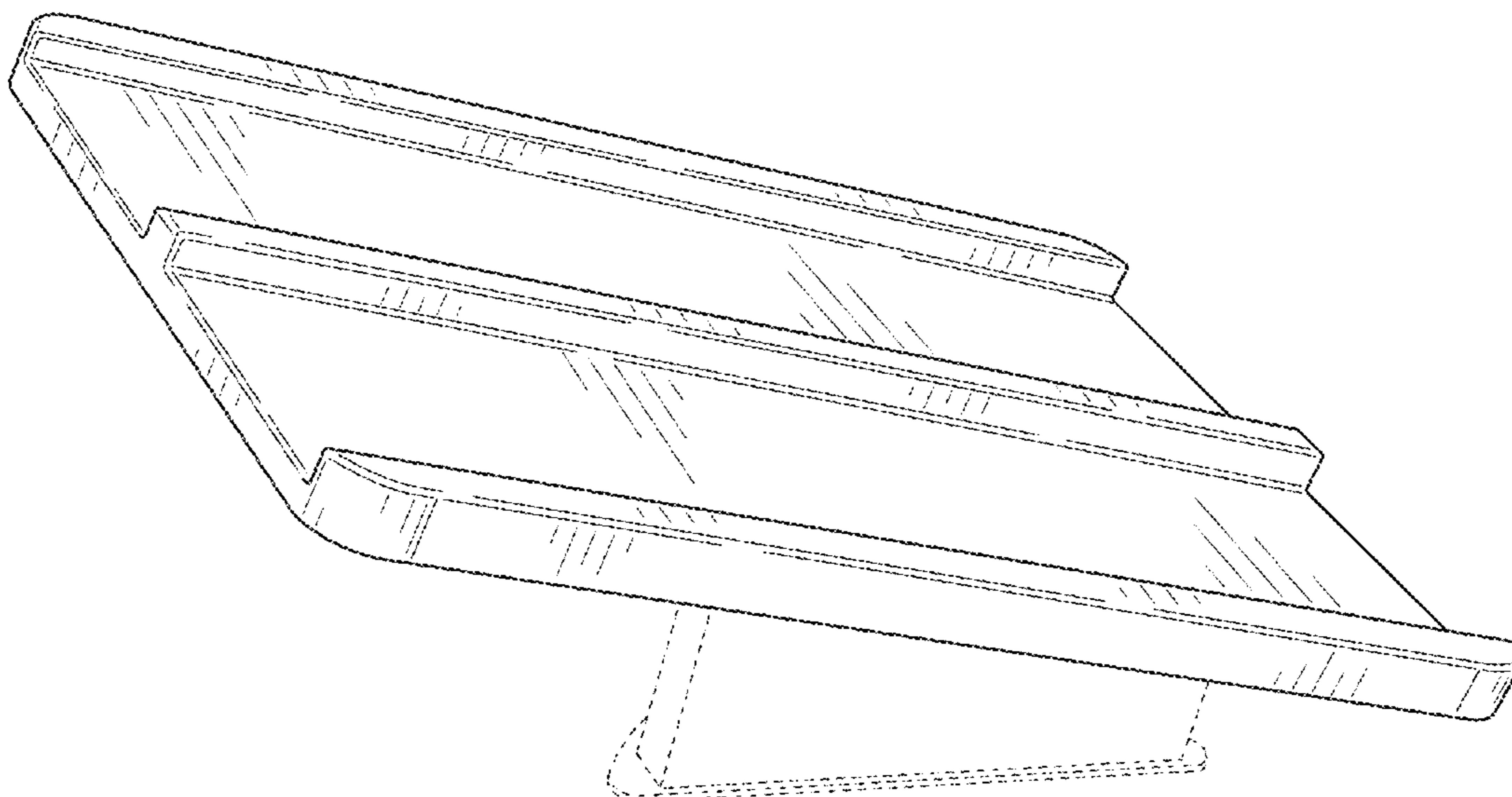
(57) **CLAIM**

The ornamental design for an exercise platform, as shown and described.

DESCRIPTION

FIG. 1 is a bottom view of an exercise platform;
 FIG. 2 is a top view of the exercise platform of FIG. 1;
 FIG. 3 is a side view of the exercise platform of FIG. 1 with the opposite side being a mirror image thereof;
 FIG. 4 is a top-right side perspective view based upon the orientation of FIG. 1;
 FIG. 5 is an end view of the exercise platform based upon the orientation of FIG. 1; and,
 FIG. 6 is an opposite end view of the exercise platform opposite the top side view of FIG. 1.
 The broken lines and areas within the broken lines illustrate portions of the exercise platform that form no part of the claimed design.

1 Claim, 6 Drawing Sheets



(56)

References Cited

U.S. PATENT DOCUMENTS

D359,323 S *	6/1995	Ross	D21/685	9,162,133 B2 *	10/2015	Schroer	A63B 69/3661
5,435,320 A *	7/1995	Seitz	A61B 5/1036	9,216,679 B1 *	12/2015	Wong	B60N 3/06
				600/595	D776,211 S *	1/2017	Gebhard	D21/685
D367,369 S *	2/1996	Lovegrove	D6/349	D805,325 S *	12/2017	Chan	D6/601
D367,968 S *	3/1996	Hatcher	D6/349	9,931,540 B1 *	4/2018	Lazar	A63B 26/003
D371,462 S *	7/1996	Grossmith	D6/349	10,080,945 B2 *	9/2018	Brown	A63B 26/003
5,544,941 A *	8/1996	Campbell	A47C 16/025	10,112,070 B2 *	10/2018	Kao	A63B 21/4034
				297/423.45	D849,857 S *	5/2019	Tartell	D21/688
5,577,806 A *	11/1996	Ugalde	A47C 16/025	D863,469 S *	10/2019	Tartell	D21/686
				108/5	10,625,112 B2 *	4/2020	Burkhardt	A63B 21/068
D383,510 S *	9/1997	Bernardson	D21/688	D902,612 S *	11/2020	Hu	D6/349
D390,711 S *	2/1998	Pearl	D6/349	2001/0036885 A1 *	11/2001	Castellot, Jr.	A63B 21/4015
5,755,651 A *	5/1998	Homyonfer	A63B 22/16					482/79
				482/123	2006/0142099 A1 *	6/2006	Trucks	A63B 69/0002
5,765,921 A *	6/1998	Chuang	A47C 16/025					473/452
				297/423.41	2007/0202970 A1 *	8/2007	Miller	A63B 69/0002
5,916,036 A *	6/1999	Hamilton	A63B 69/3667					473/451
				473/269	2007/0243979 A1 *	10/2007	Hand	A63B 21/225
D420,407 S *	2/2000	Garcia	D21/688					482/110
D473,272 S *	4/2003	Heins	D21/685	2009/0029789 A1 *	1/2009	Davies	A63B 69/3667
6,666,797 B1 *	12/2003	Martin	A63B 69/0093					473/218
				482/146	2009/0062699 A1 *	3/2009	Yang	A61H 1/0237
6,705,977 B1 *	3/2004	Ziak	A63B 21/0004					601/23
				472/135	2009/0098983 A1 *	4/2009	Hoffman	A63B 22/203
D533,236 S *	12/2006	Huang	D21/688					482/70
D622,787 S *	8/2010	Masterson	D21/668	2011/0098164 A1 *	4/2011	Chang	A63B 26/003
D623,244 S *	9/2010	Hoffman	D21/668					482/146
D648,403 S *	11/2011	Hanifee	D21/688	2011/0263398 A1 *	10/2011	Klassen	A63B 22/18
8,801,579 B2 *	8/2014	Beck	A63B 23/04					482/146
				482/38	2013/0316885 A1 *	11/2013	Harwin	A63B 23/03541
									482/142
					2021/0245008 A1 *	8/2021	Kim	A63B 71/0054

* cited by examiner

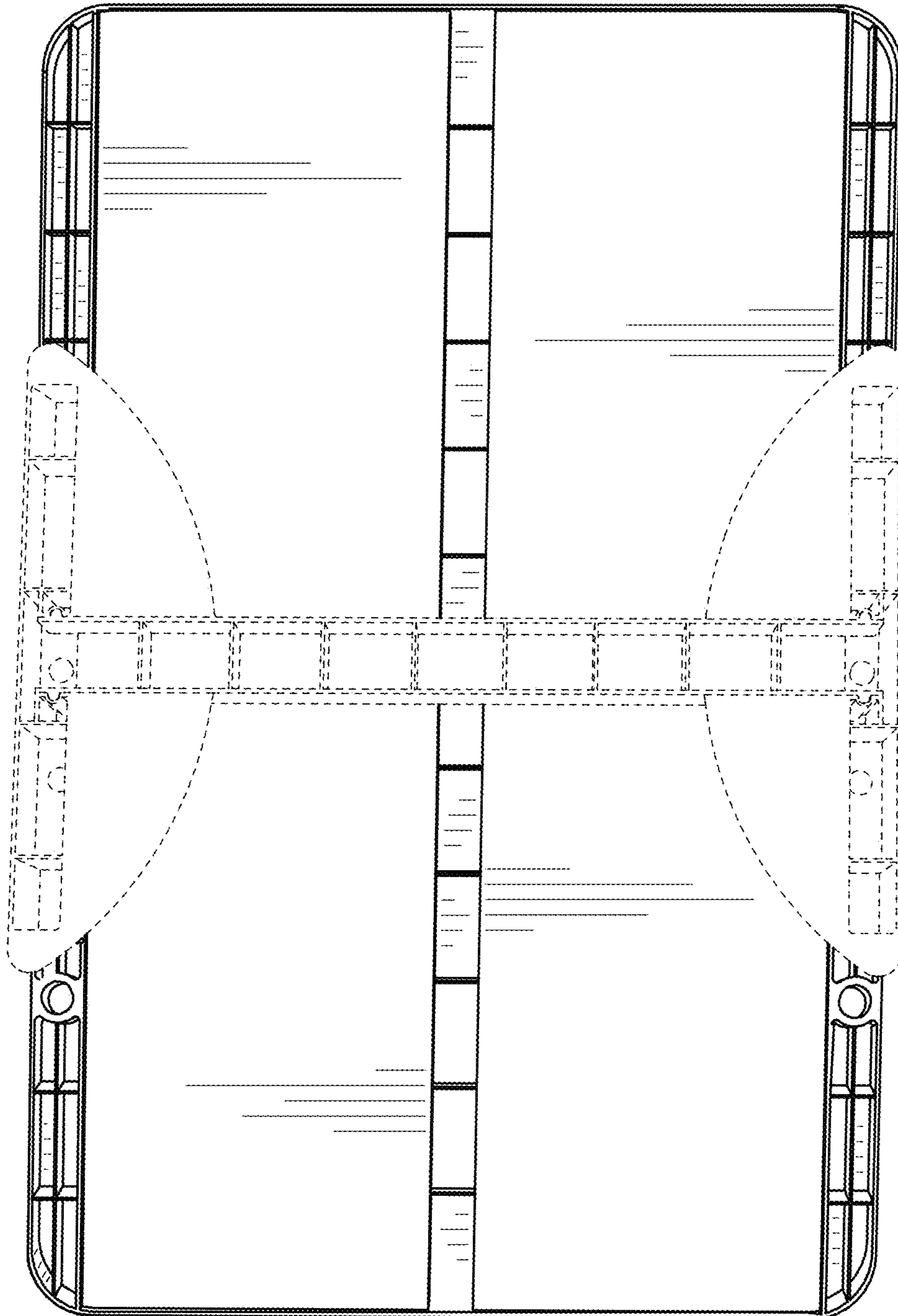


FIG. 1

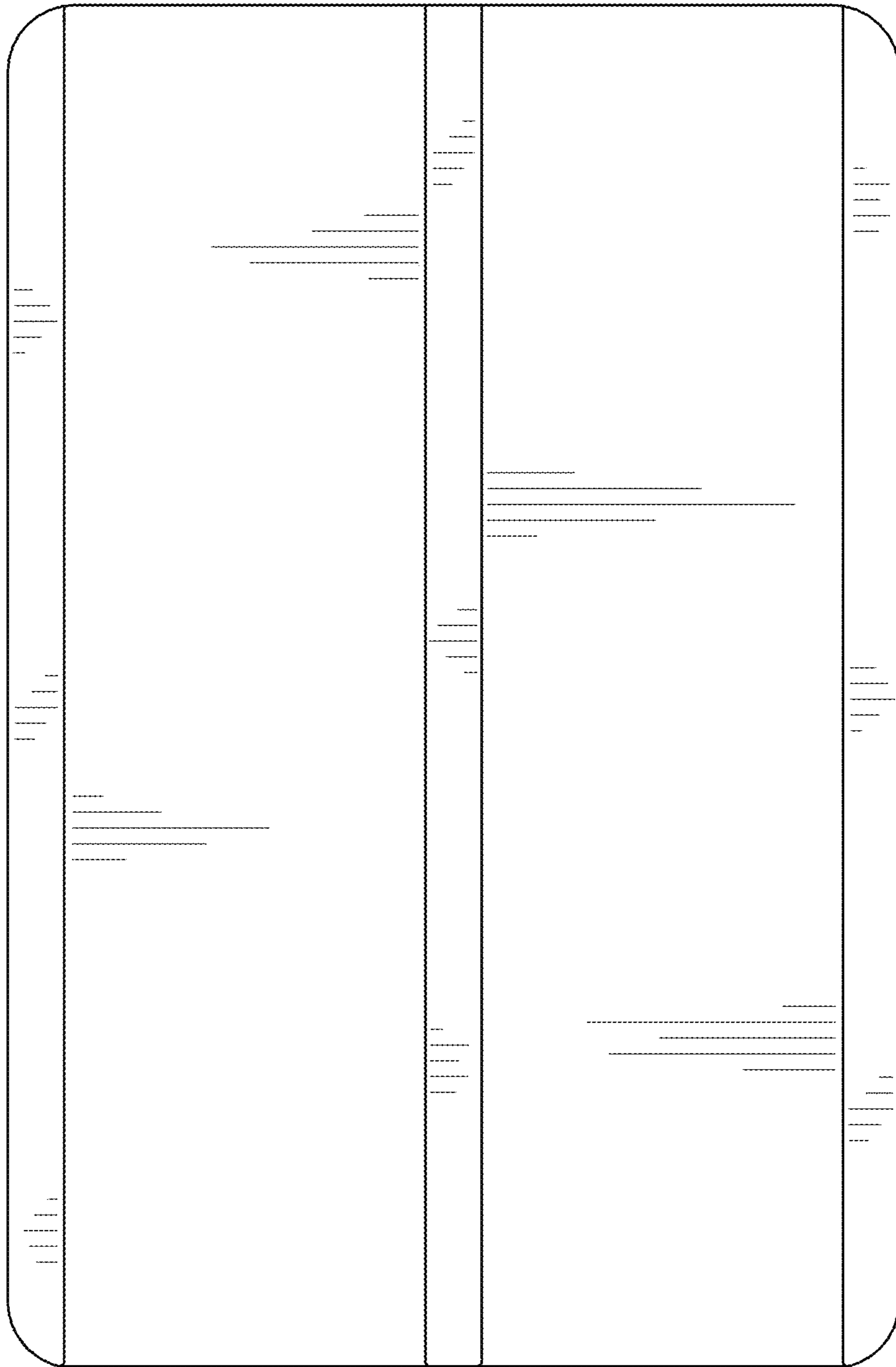


FIG. 2

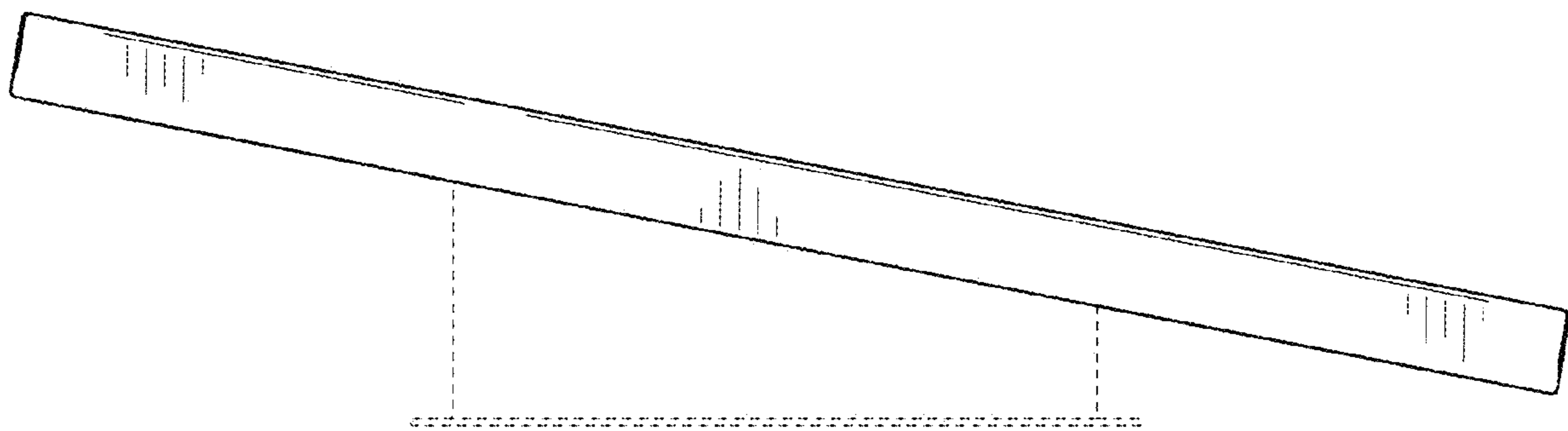


FIG. 3

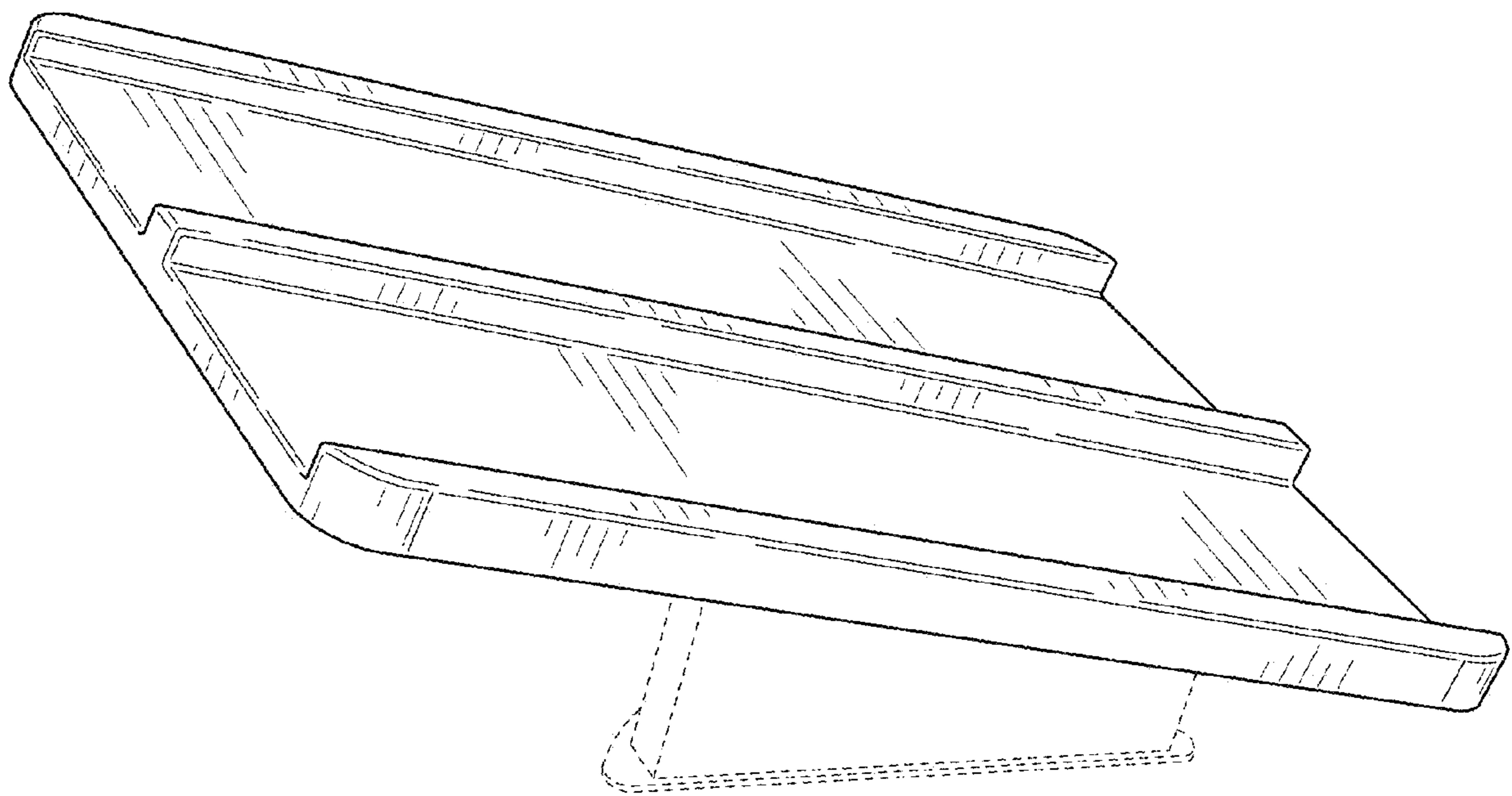


FIG. 4

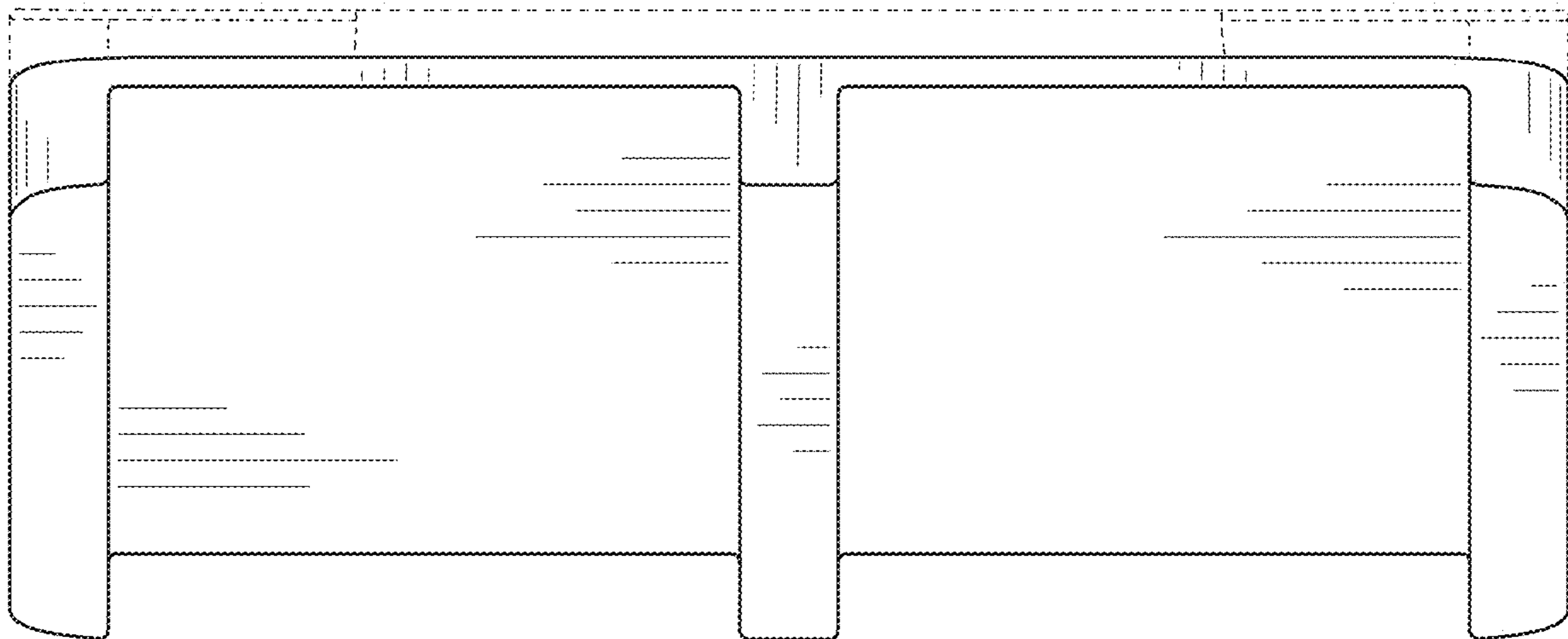


FIG. 5

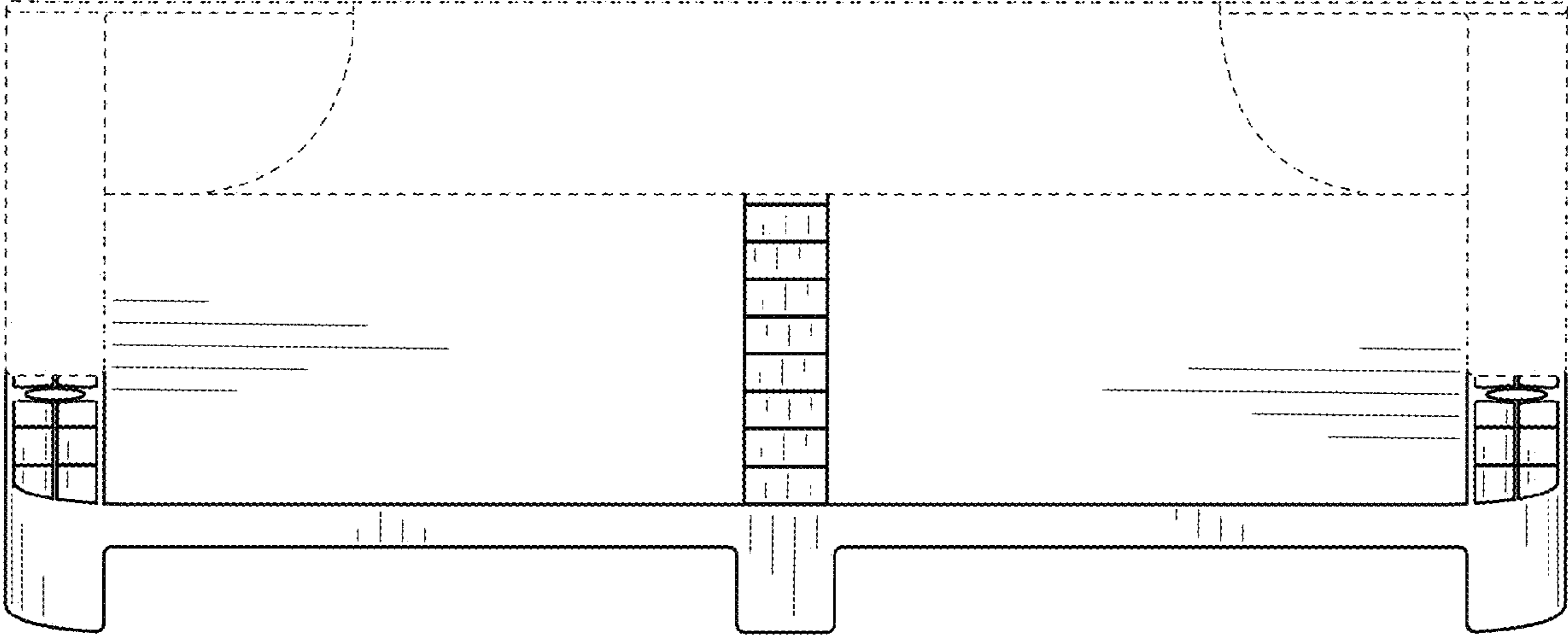


FIG. 6