



US00D954862S

(12) **United States Design Patent**
Coughlan et al.

(10) **Patent No.:** **US D954,862 S**
(45) **Date of Patent:** **** Jun. 14, 2022**

- (54) **WEIGHT CARRIER VEST**
- (71) Applicant: **Coulter Ventures, LLC.**, Columbus, OH (US)
- (72) Inventors: **Laurie Ann Coughlan**, Hilliard, OH (US); **Ahmik Jones**, Upper Arlington, OH (US); **William Henniger**, Columbus, OH (US)
- (73) Assignee: **Coulter Ventures, LLC.**, Columbus, OH (US)
- (**) Term: **15 Years**
- (21) Appl. No.: **29/820,993**
- (22) Filed: **Dec. 27, 2021**

D224,630 S * 8/1972 Casavant D3/216
 4,461,411 A * 7/1984 Harrow F16M 11/041
 224/908
 4,699,090 A * 10/1987 Voorhees B60R 22/105
 119/857

(Continued)

FOREIGN PATENT DOCUMENTS

EP 3383508 A1 10/2018
 WO 2007130530 A2 11/2007

OTHER PUBLICATIONS

Unbrokenshop, announced 2019[online], [site visited Feb. 9, 2022]. Available on internet, URL: <https://www.amazon.com/Unbrokenshop-com-Weight-Chaleco-Colette-Black/dp/B07MWFNWLW/ref> (Year: 2019).*

(Continued)

Primary Examiner — Khawaja Anwar

Assistant Examiner — Julice Seung Eun Oum

(74) *Attorney, Agent, or Firm* — Banner & Witcoff, Ltd.

(57) **CLAIM**

The ornamental design for a weight carrier vest, as shown and described.

DESCRIPTION

FIG. 1 is a top, rear, left perspective view of a weight carrier vest showing our new design;
 FIG. 2 is a rear view thereof;
 FIG. 3 is a front view thereof;
 FIG. 4 is a left side view thereof;
 FIG. 5 is a right side view thereof;
 FIG. 6 is a top view thereof; and,
 FIG. 7 is a bottom view thereof.

The broken lines immediately adjacent to the shaded area define the bounds of the claimed design and form no part thereof. The broken lines depicting the remainder of the weight carrier vest form no part of the claimed design.

1 Claim, 7 Drawing Sheets

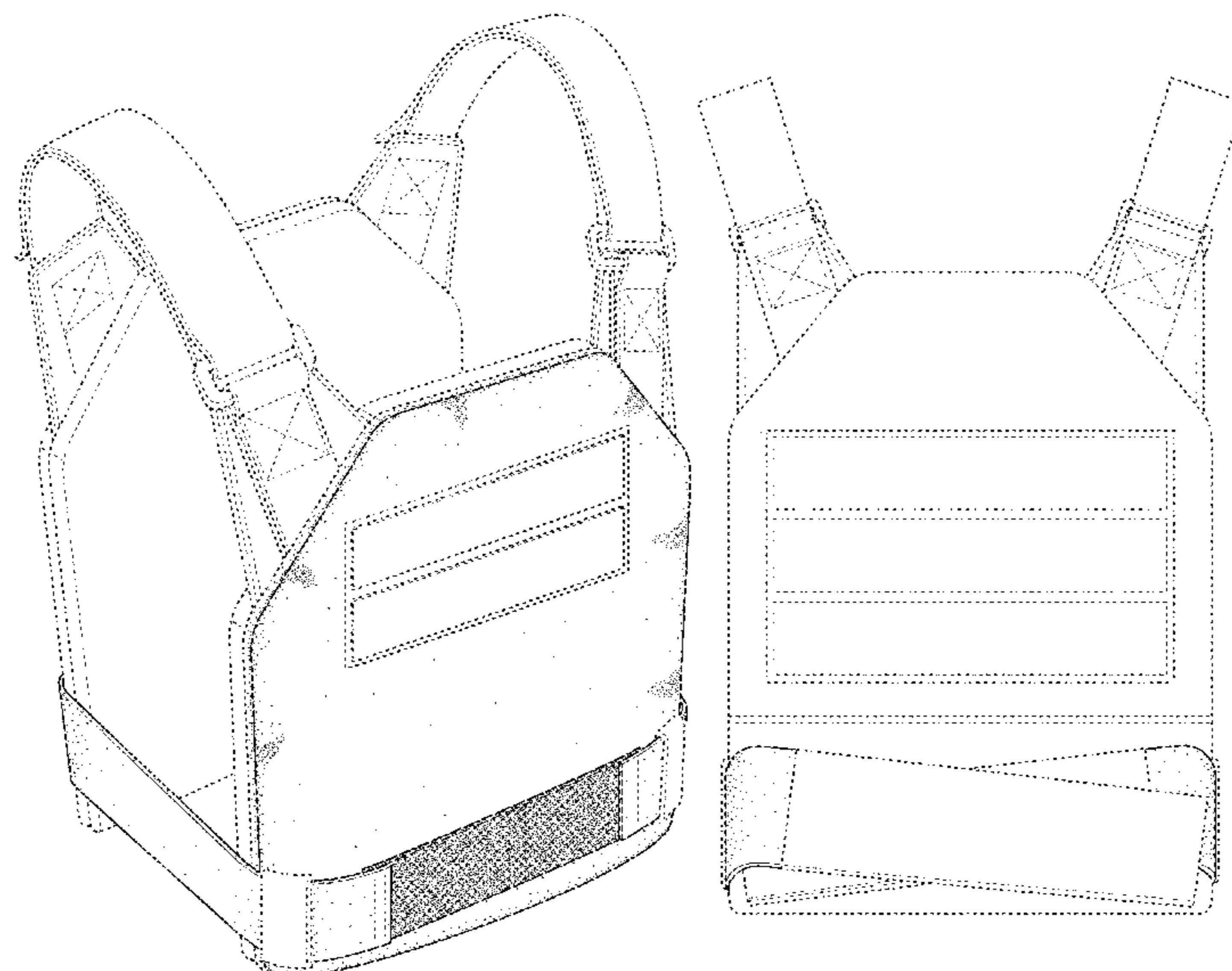
Related U.S. Application Data

- (63) Continuation of application No. 29/730,831, filed on Apr. 8, 2020, now Pat. No. Des. 940,798.
- (51) **LOC (13) Cl.** **21-02**
- (52) **U.S. Cl.**
USPC **D21/683**
- (58) **Field of Classification Search**
USPC D21/798, 692, 804, 654, 487, 679, 688,
D21/412, 400, 791, 725, 386, 694, 680,
D21/683, 662; D2/24, 625, 627, 626,
D2/640, 639; D29/100, 101.1, 101.5;
D30/144, 152; D24/190
See application file for complete search history.

(56) **References Cited**

U.S. PATENT DOCUMENTS

1,930,378 A * 10/1933 Beagan A47D 15/006
 D29/101.1
 3,004,519 A * 10/1961 Weissman A47D 15/006
 182/4



(56)

References Cited

U.S. PATENT DOCUMENTS

D300,475 S 3/1989 Caulder et al.
 D326,492 S * 5/1992 Leibowitz D29/101.1
 6,081,924 A 7/2000 Ott
 D452,047 S 12/2001 Ditchfield et al.
 D548,401 S 8/2007 Tino
 D614,400 S 4/2010 Simonian et al.
 D767,824 S 9/2016 Hilliard
 D842,400 S 3/2019 Ross
 D851,916 S * 6/2019 Andersson D3/214
 D852,423 S 6/2019 Pennington, Jr. et al.
 D878,610 S 3/2020 Boston
 D919,959 S * 5/2021 Chuah D3/213
 2011/0226828 A1 * 9/2011 Messal A45F 3/14
 224/257
 2012/0074182 A1 * 3/2012 Harris A47D 13/025
 224/160
 2015/0342329 A1 12/2015 Formosa
 2019/0038007 A1 * 2/2019 Swan A41D 1/04
 2020/0094098 A1 3/2020 Kelly
 2021/0369002 A1 * 12/2021 Fulcher, Jr. A47D 11/00

OTHER PUBLICATIONS

WarTechGears, announced 2019[online], [site visited Feb. 9, 2022]. Available on internet, URL:<https://www.amazon.com/WarTechGears-Tactical-MOLLE-Adjustable-Enforcement/dp/B07WZZ5M5G/ref> (Year: 2019).*

Cap, announced 2016[online], [site visited Feb. 9, 2022]. Available on internet, URL:<https://www.amazon.com/CAP-Barbell-HHWV-CB020S-Adjustable-Weighted/dp/B01DJHBVS0/ref> (Year: 2016).* Product listing for 5.11 TacTec Plate Carrier; from <http://web.archive.org/web/20190308174931/https://www.roguefitness.com/5-11-tactical-vests>; dated Oct. 10, 2015, accessed Jun. 29, 2021.

Product listing for Condor Sentry Plate Carrier; from <http://web.archive.org/web/20180913093048/https://www.roguefitness.com/condor-sentry-plate-carrier>; dated Jan. 2, 2016, accessed Jun. 29, 2021.

Nicefish tactical backpack, announced 2019 [online], [site visited Jul. 31, 2021]. Available on internet, URL:https://www.amazon.com/Tactical-Backpack-Breathable-Adjustable-Lightweight/dp/B08398Z6L1/ref=sr_1_229?dchild=1&keywords=weight+carrier+vest&qid=1628022046&sr=8-229 (Year: 2019).

Gfire tactical vest, announced 2019 [online], [site visited Jul. 31, 2021]. Available on internet, URL:https://www.amazon.com/GFIRE-Tactical-Breathable-Adjustable-Lightweight/dp/B07T9LMQLY/ref=coffee_espresso_sports_1/132-4802769-6437635?pd_rd_w=QXEMu&pf_rd_p=bbdff7d5-01ea-40bc-9cd1-d73fa1f34611&pf_rd_r=PG0BT3DWC86QZD BS8116&pd_rd_r=c651deb9-5206-4337-a706-970fb69ee986&pd_rd_wg=OEUQd&pd_rd_i=B07T9LMQLY&pssc=1 (Year: 2019).

Chase tactical vest, announced 2019 [online], [site visited Jul. 31, 2021]. Available on internet, URL:https://www.amazon.com/Chase-Tactical-Quick-Lightweight-Adjustable-Military/dp/B07Y8SX475/ref=sr_1_298?dchild=1&keywords=weight+carrier+vest&qid=1628022202&sr=8-298 (Year: 2019).

Oct. 20, 2021—(WO) ISR and WO—App PCT/US2021/041464.

* cited by examiner

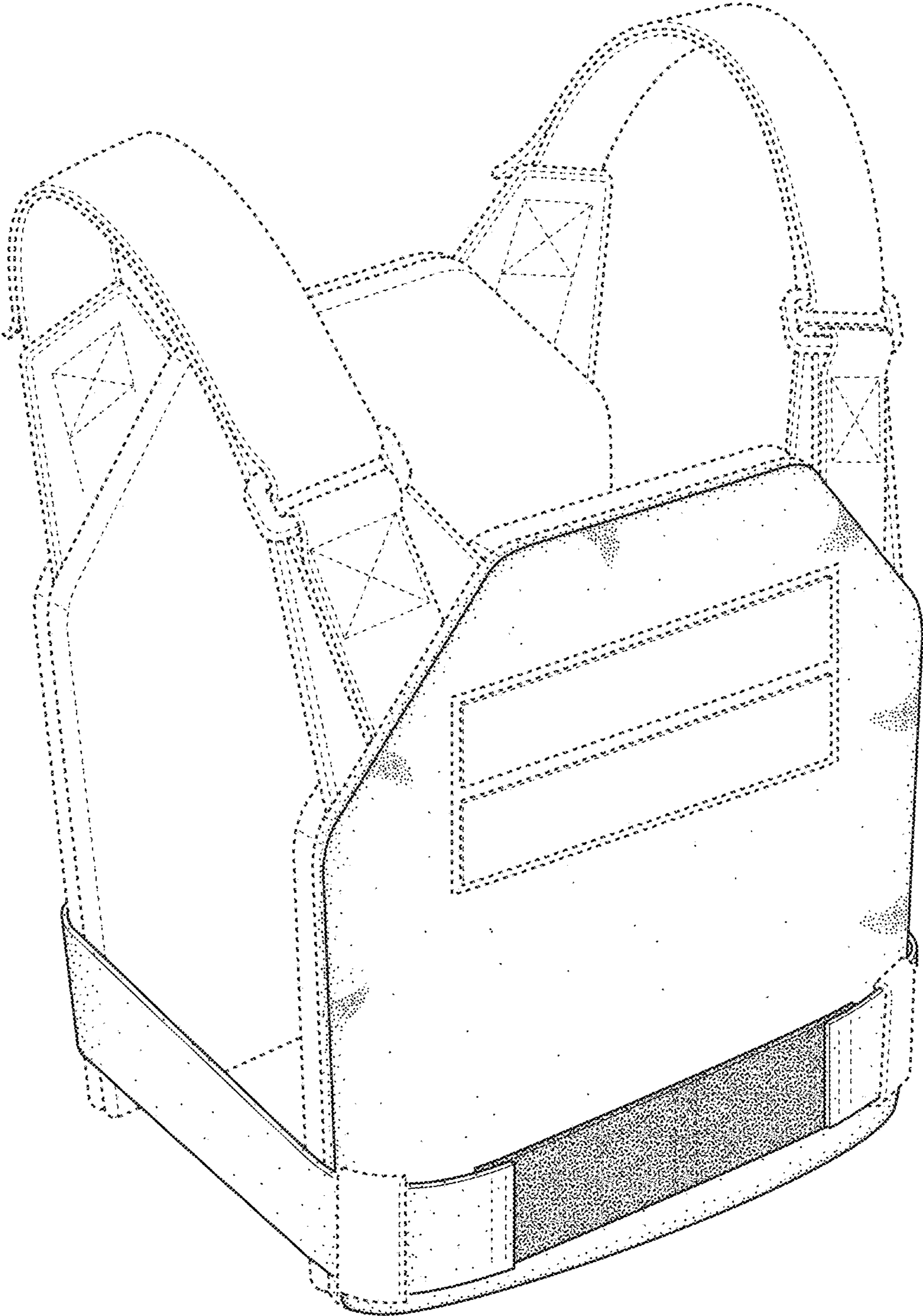


FIG. 1

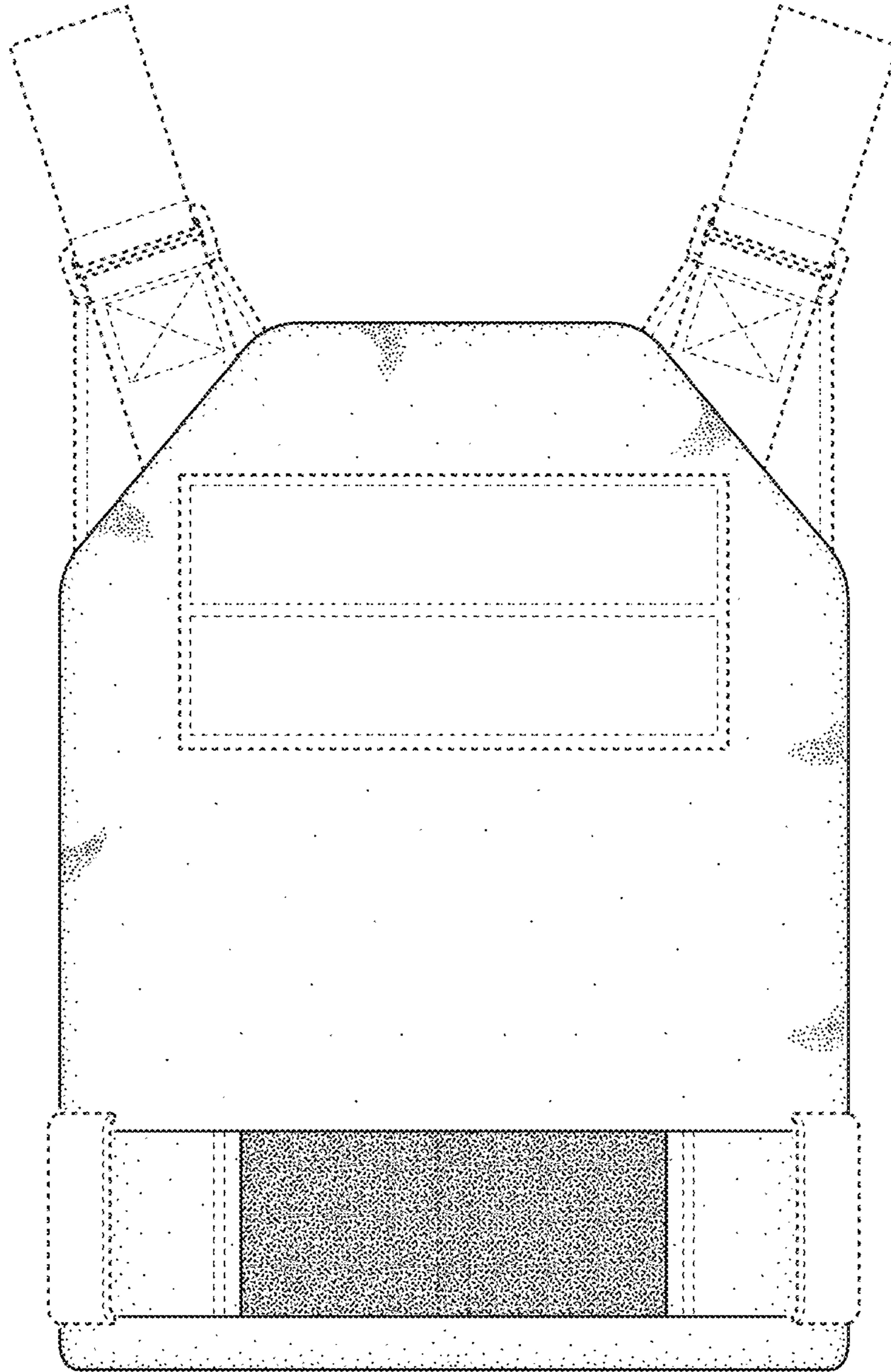


FIG. 2

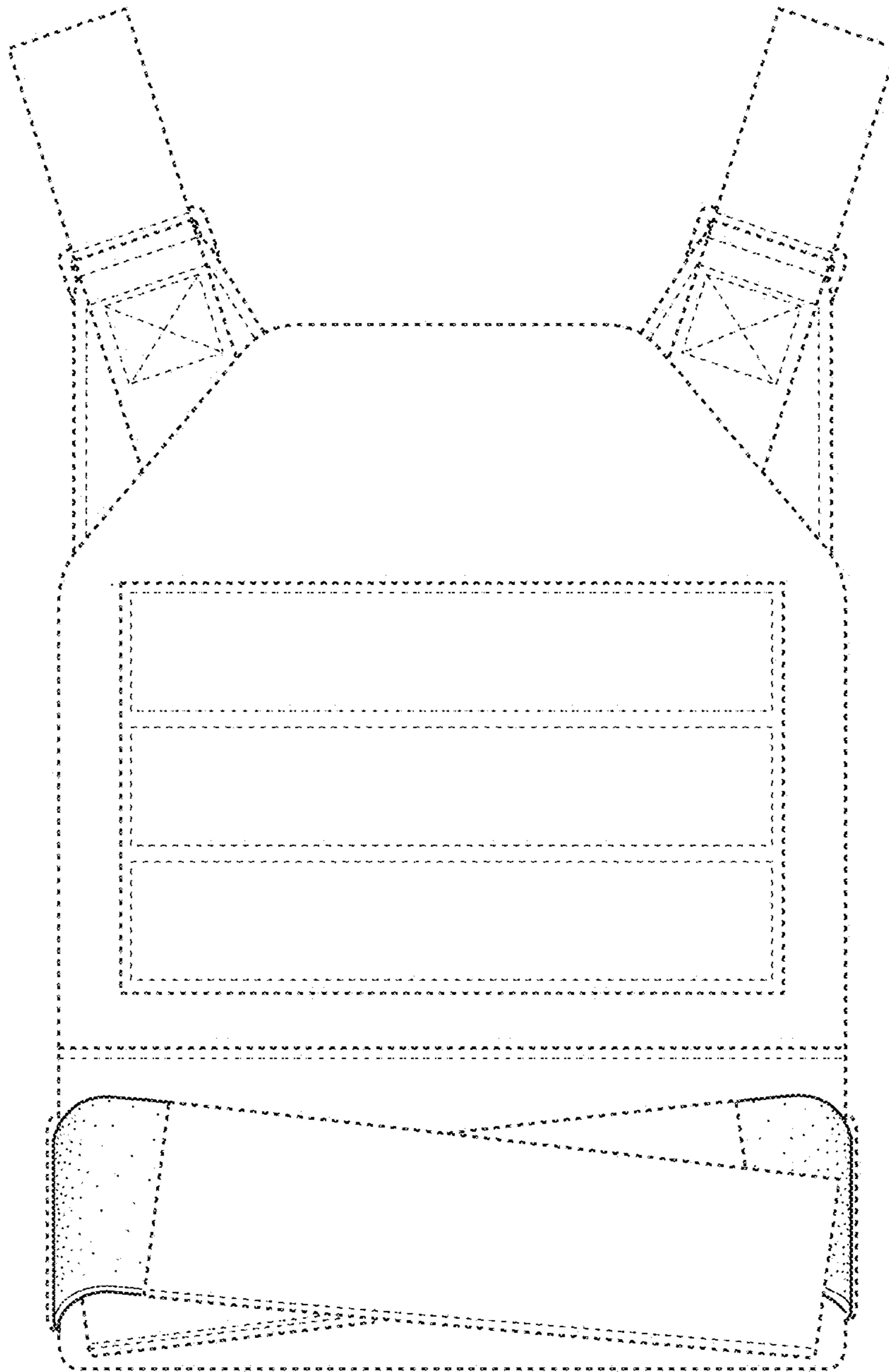


FIG. 3

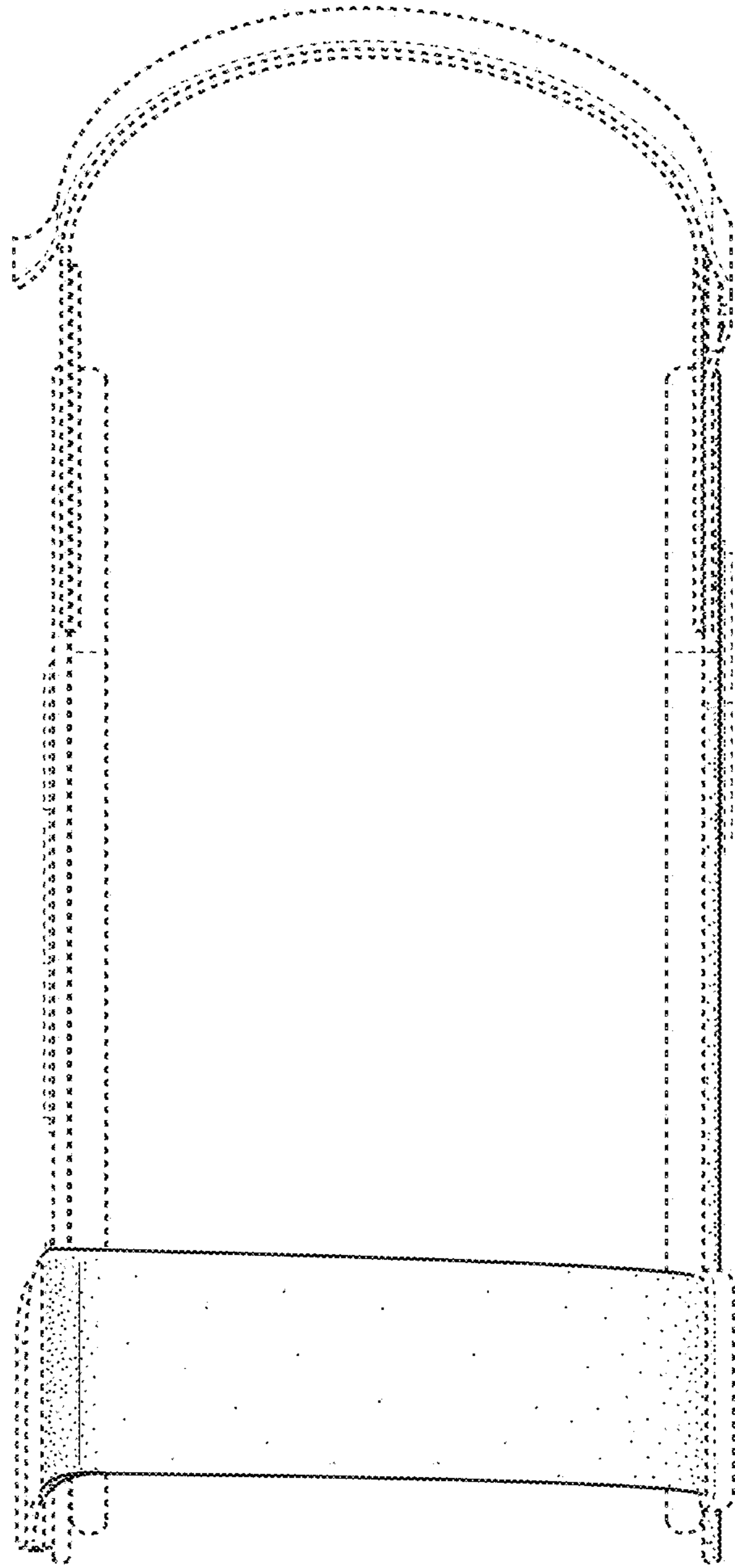


FIG. 4

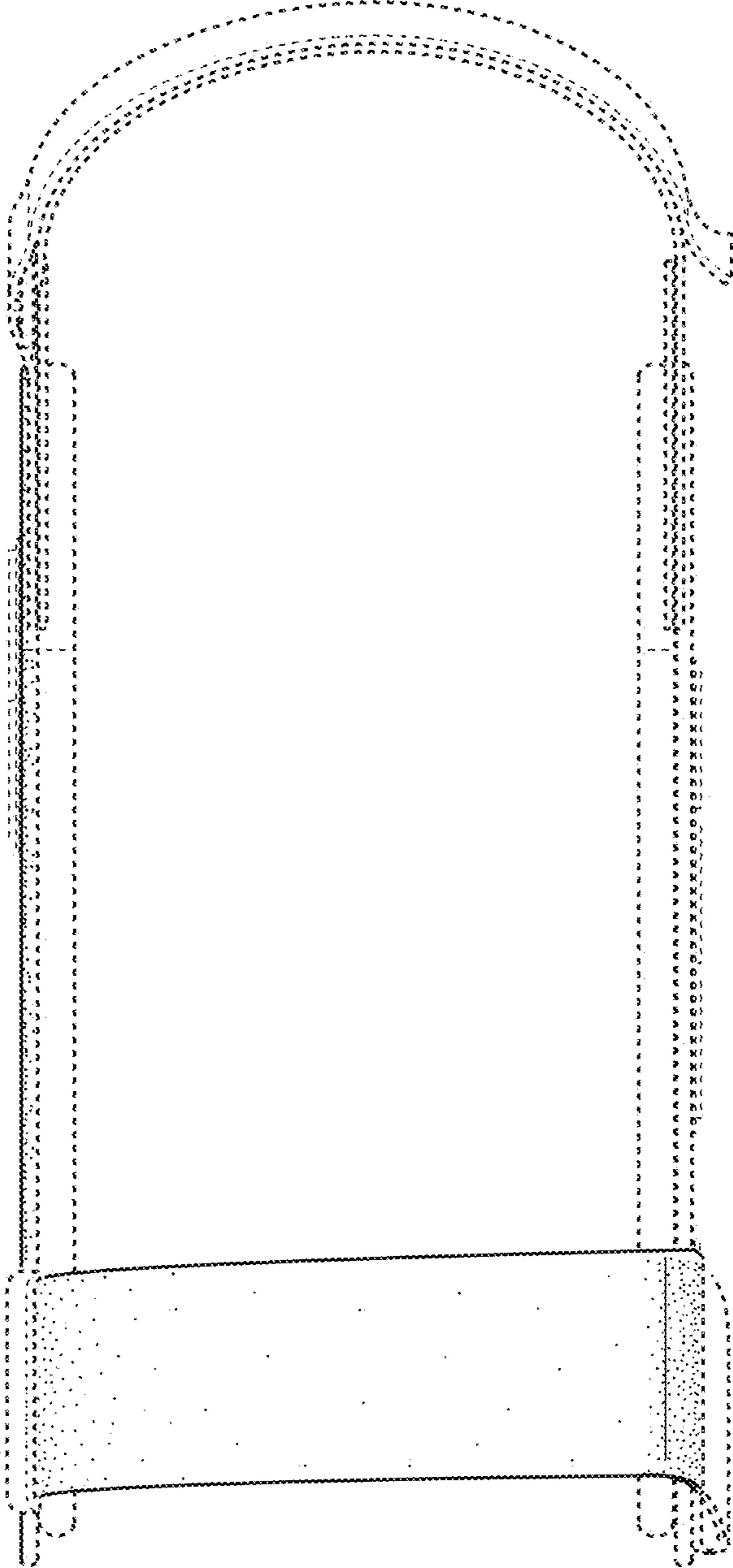


FIG. 5

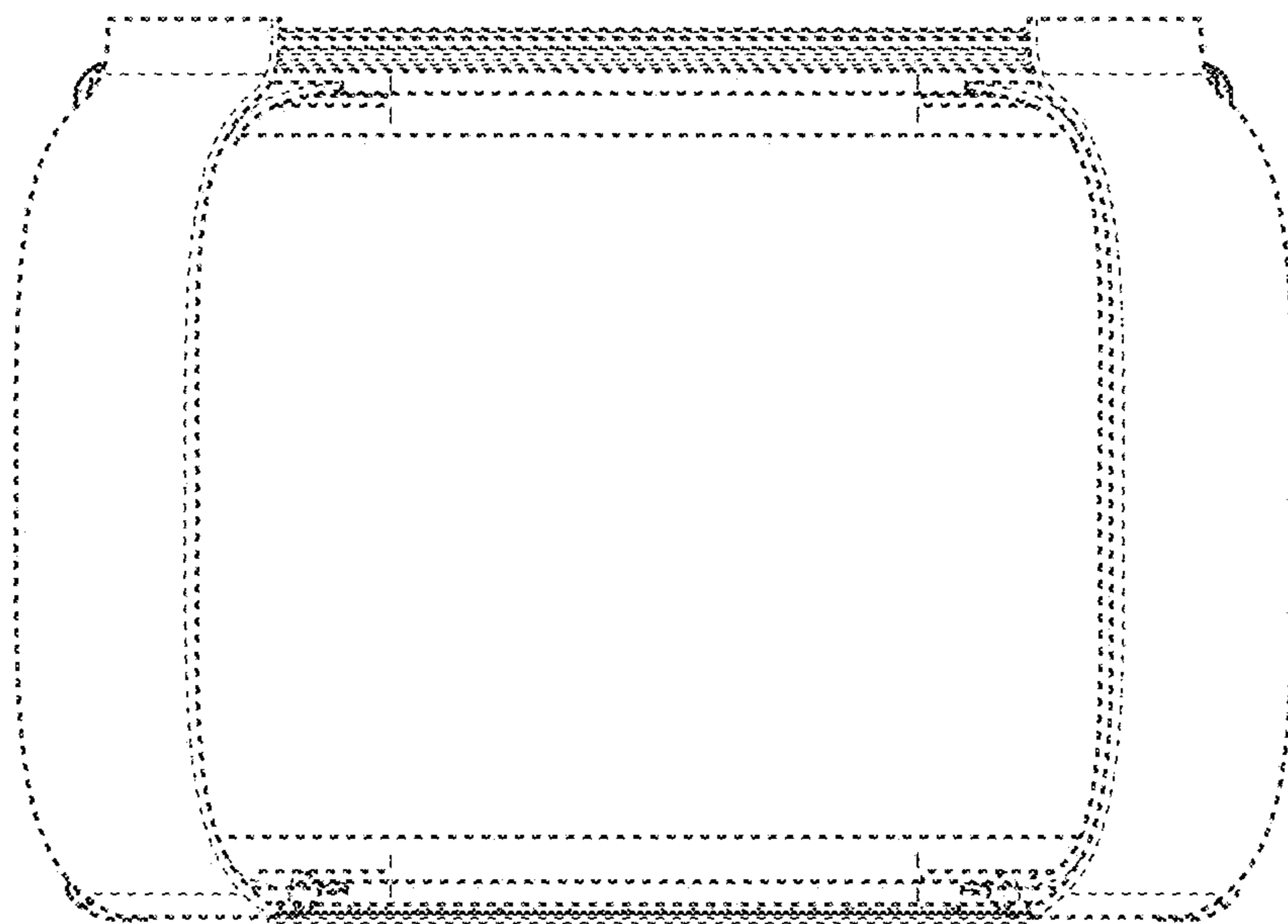


FIG. 6

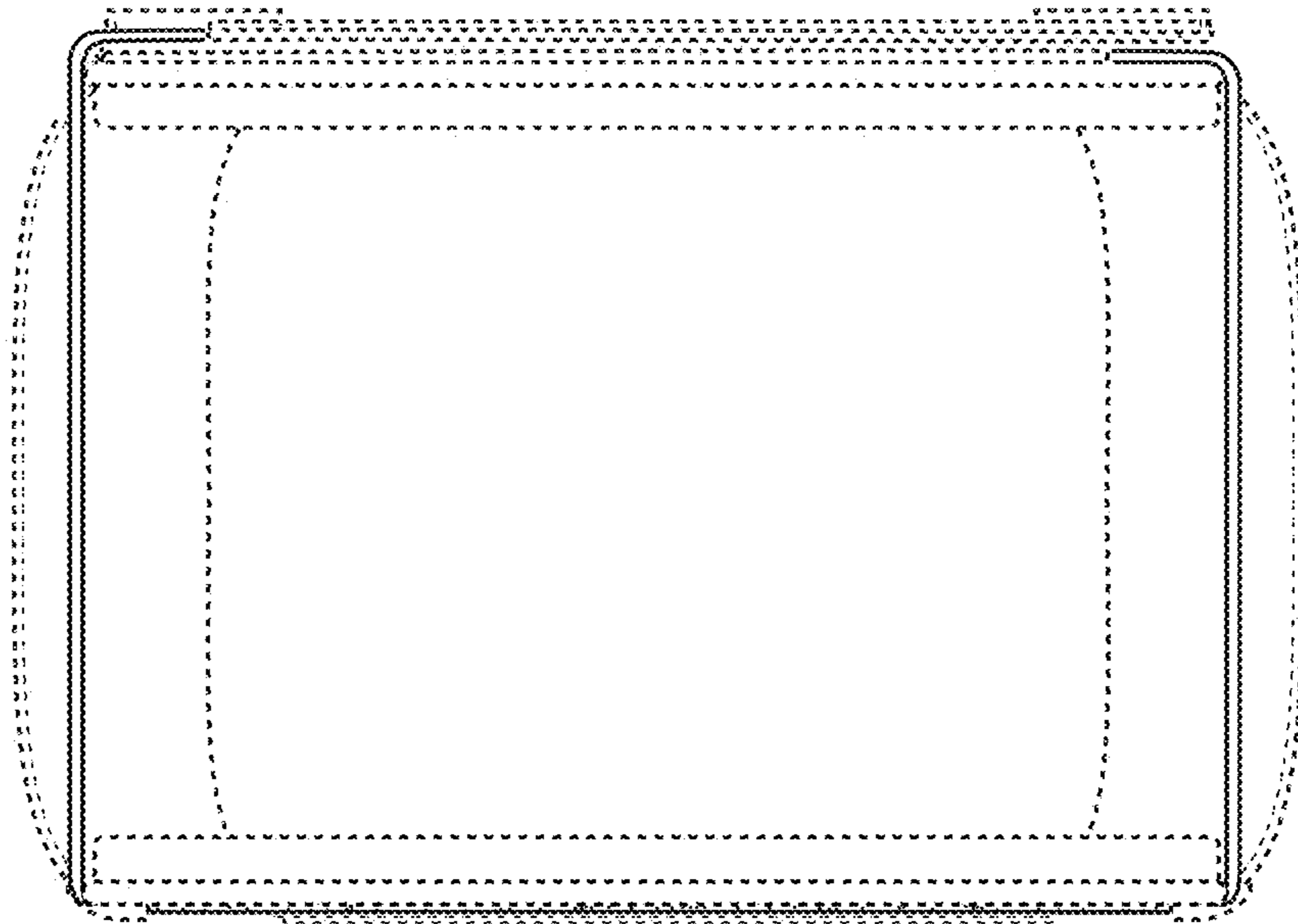


FIG. 7