



US00D954860S

(12) **United States Design Patent** (10) **Patent No.:** **US D954,860 S**
Bowers (45) **Date of Patent:** **** Jun. 14, 2022**

(54) **SET OF DUMBBELLS**

(71) Applicant: **POWER SYSTEMS (PS), LLC,**
Chattanooga, TN (US)

(72) Inventor: **Michael E. Bowers,** Maryville, TN
(US)

(73) Assignee: **POWER SYSTEMS (PS), LLC,**
Chattanooga, TN (US)

(**) Term: **15 Years**

(21) Appl. No.: **29/736,546**

(22) Filed: **Jun. 1, 2020**

Related U.S. Application Data

(63) Continuation of application No. 29/678,502, filed on
Jan. 29, 2019, now Pat. No. Des. 888,849.

(51) **LOC (13) Cl.** **21-02**

(52) **U.S. Cl.**
USPC **D21/681**

(58) **Field of Classification Search**
USPC D21/662, 679, 680, 681, 682, 684
(Continued)

(56) **References Cited**

U.S. PATENT DOCUMENTS

4,997,184 A 3/1991 Sherman
D380,511 S 7/1997 Anthony, Jr.
(Continued)

OTHER PUBLICATIONS

Amazon, "Power Systems Cardio Dumbbell", Feb. 20, 2019. https://www.amazon.com/Power-Systems-Cardio-Dumbbell-Pounds/dp/B07NZV4VVD/ref=sr_1_7?crid=3NEKCTUDQUVWC&keywords=power+systems+dumbbells&qid=1641471716&prefix=power+systems+dumbbe%2Caps%2C59&sr=8-7. Shown on p. 1. (Year: 2019).*

(Continued)

Primary Examiner — Cynthia Ramirez

Assistant Examiner — Michael A Maharajh

(74) *Attorney, Agent, or Firm* — McAndrews Held & Malloy, Ltd.

(57) **CLAIM**

The ornamental design for a set of dumbbells, as shown and described.

DESCRIPTION

The patent file contains at least one drawing executed in color. Copies of this patent with color drawings will be provided by the Office upon request and payment of the necessary fee.

FIG. 1 is a front perspective view of a set of dumbbells showing my new design;

FIG. 2 is a front perspective view of a first dumbbell from the set of dumbbells, shown separately for clarity of illustration;

FIG. 3 is a right side elevation view thereof;

FIG. 4 is a left side elevation view thereof;

FIG. 5 is a front perspective view of a second dumbbell from the set of dumbbells, shown separately for clarity of illustration;

FIG. 6 is a right side elevation view thereof;

FIG. 7 is a left side elevation view thereof;

FIG. 8 is a front perspective view of a third dumbbell from the set of dumbbells, shown separately for clarity of illustration;

FIG. 9 is a right side elevation view thereof;

FIG. 10 is a left side elevation view thereof;

FIG. 11 is a front perspective view of a fourth dumbbell from the set of dumbbells, shown separately for clarity of illustration;

FIG. 12 is a right side elevation view thereof;

FIG. 13 is a left side elevation view thereof;

FIG. 14 is a front perspective view of a fifth dumbbell from the set of dumbbells, shown separately for clarity of illustration;

FIG. 15 is a right side elevation view thereof;

FIG. 16 is a left side elevation view thereof;

(Continued)

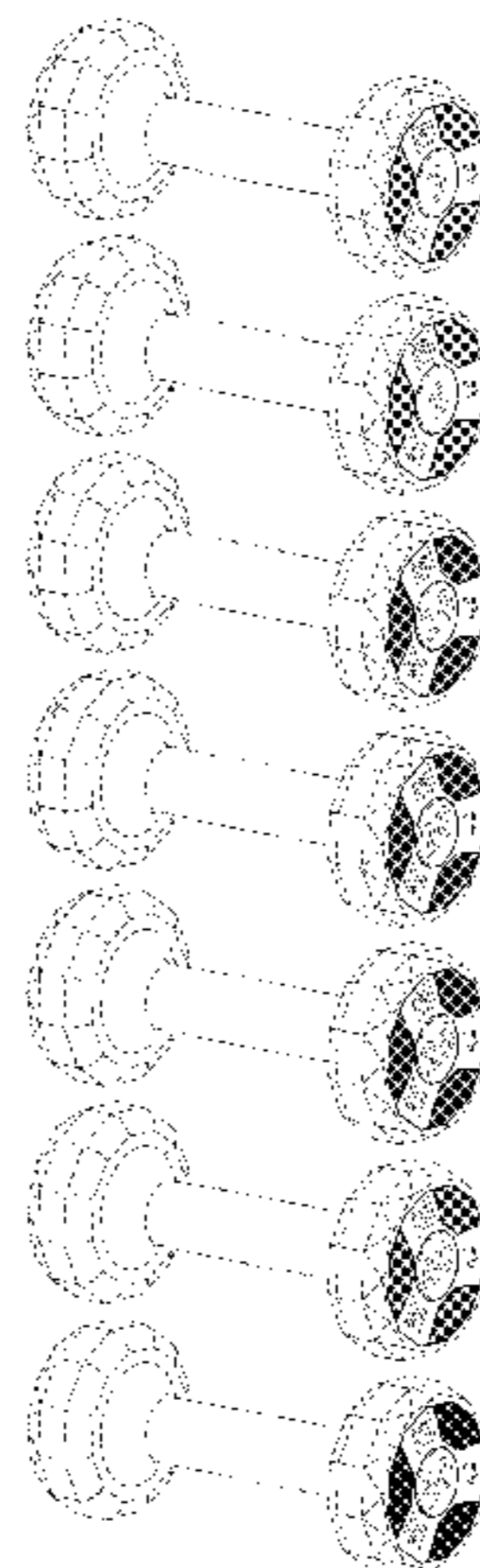


FIG. 17 is a front perspective view of a sixth dumbbell from the set of dumbbells, shown separately for clarity of illustration;
 FIG. 18 is a right side elevation view thereof;
 FIG. 19 is a left side elevation view thereof;
 FIG. 20 is a front perspective view of a seventh dumbbell from the set of dumbbells, shown separately for clarity of illustration;
 FIG. 21 is a right side elevation view thereof;
 FIG. 22 is a left side elevation view thereof;
 FIG. 23 is a front elevation view of each of the dumbbells shown in FIGS. 2 to 22;
 FIG. 24 is a rear elevation view of each of the dumbbells shown in FIGS. 2 to 22;
 FIG. 25 is a top plan view of each of the dumbbells shown in FIGS. 2 to 22; and,
 FIG. 26 is a top plan view of each of the dumbbells shown in FIGS. 2 to 22.
 The dashed broken lines in the drawings illustrate portions of each of the dumbbells that form no part of the claimed design.

**1 Claim, 17 Drawing Sheets
 (11 of 17 Drawing Sheet(s) Filed in Color)**

(58) **Field of Classification Search**
 CPC A63B 21/0726; A63B 21/072; A63B 21/0722; A63B 21/4043; A63B 21/0728
 See application file for complete search history.

(56) **References Cited**

U.S. PATENT DOCUMENTS

D409,266	S	5/1999	Rojas et al.
6,120,420	A	9/2000	Pearson et al.
6,132,344	A	10/2000	Vanderbleek
D444,516	S	7/2001	Pearson et al.
7,001,310	B1	2/2006	Brice
D528,611	S	9/2006	Flick et al.
7,137,931	B2	11/2006	Liu
D545,927	S	7/2007	Lien
D546,908	S	7/2007	Lien
D562,920	S	2/2008	Hillson
D567,311	S	4/2008	Hillson
D574,450	S	8/2008	Januszek
7,549,952	B2	6/2009	Towley, III et al.
D597,613	S	8/2009	Hillson
7,588,519	B2	9/2009	McClusky
D624,614	S	9/2010	Lien

D628,248	S	11/2010	Januszek
D628,250	S	11/2010	Januszek
D628,661	S	12/2010	Januszek
7,862,487	B2	1/2011	Olson
D663,795	S	7/2012	Hillson
D685,441	S	7/2013	Januszek
D685,442	S	7/2013	Childs
D692,072	S	10/2013	Childs
8,652,016	B2 *	2/2014	Grand A63B 21/0602 482/107
8,992,396	B2 *	3/2015	Wang A63B 21/075 482/107
D802,064	S	11/2017	Hillson
10,583,318	B2 *	3/2020	Nalley A63B 21/075
D881,295	S *	4/2020	Brezovar D21/681
D888,849	S *	6/2020	Bowers D21/681
D896,324	S *	9/2020	Yu D21/681
D901,609	S *	11/2020	Schough D21/681
D920,449	S *	5/2021	Wang D21/681
11,007,394	B2 *	5/2021	Liu B23P 15/00
D921,133	S *	6/2021	Wang D21/681
D922,504	S *	6/2021	Wang D21/681
D927,611	S *	8/2021	Wang D21/681
D930,091	S *	9/2021	Wang D21/681
D933,761	S *	10/2021	Jones D21/681
D936,762	S *	11/2021	Ye D21/680
11,167,167	B1 *	11/2021	Weng A63B 21/0728
2002/0128127	A1	9/2002	Chen
2002/0183174	A1	12/2002	Chen
2003/0232705	A1	12/2003	Harms et al.
2004/0005968	A1	1/2004	Crawford et al.
2006/0240959	A1	10/2006	Huang
2007/0225132	A1	9/2007	Liu
2009/0042700	A1 *	2/2009	Liu A63B 21/075 482/107
2009/0247369	A1	10/2009	Chang
2011/0009247	A1	1/2011	Januszek
2012/0295774	A1	11/2012	Dalebout et al.
2012/0295775	A1	11/2012	Reid
2013/0324375	A1	12/2013	Svenberg
2014/0005013	A1	1/2014	Kassemi
2014/0057762	A1	2/2014	Olivarez et al.
2014/0243169	A1	8/2014	Justice
2016/0166873	A1	6/2016	Liu
2017/0095687	A1	4/2017	Sonnon et al.
2017/0361148	A1	12/2017	Black
2019/0126124	A1	5/2019	Vigiano
2019/0299047	A1 *	10/2019	Nalley A63B 21/0728

OTHER PUBLICATIONS

Power Systems, "Cardio Oumbbell", Feb. 11, 2020. hUps://www.power-systems.com/shop/producticardio-dumbbell. Shown on p. 1. (Year: 2020).

* cited by examiner

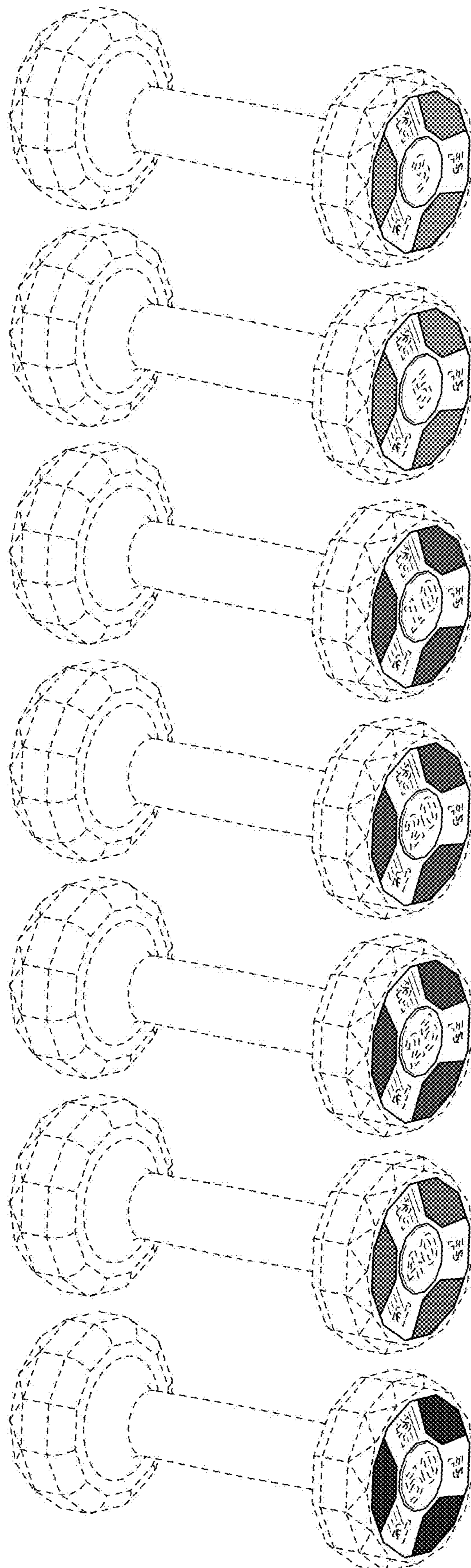


FIG. 1

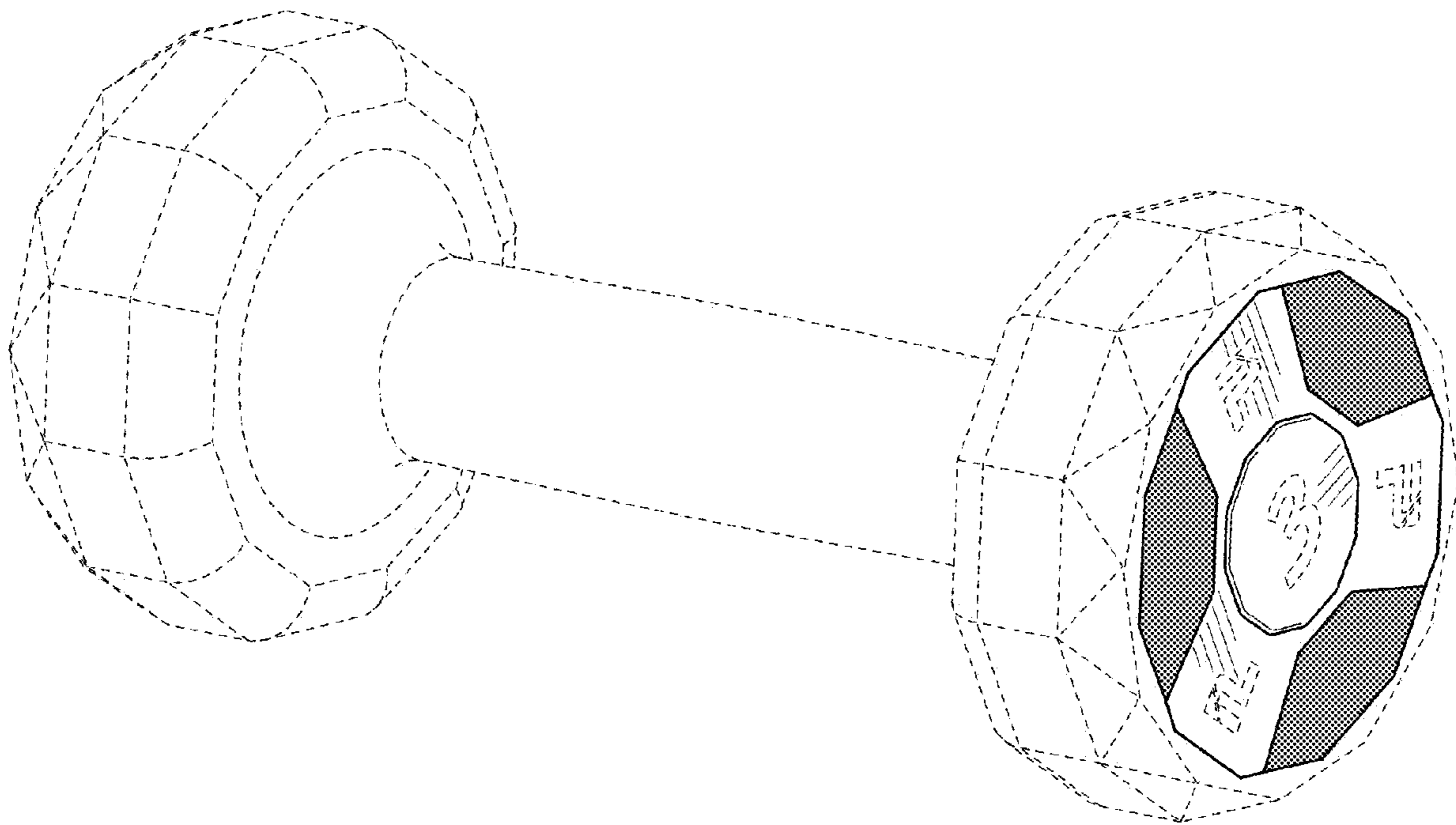


FIG. 2

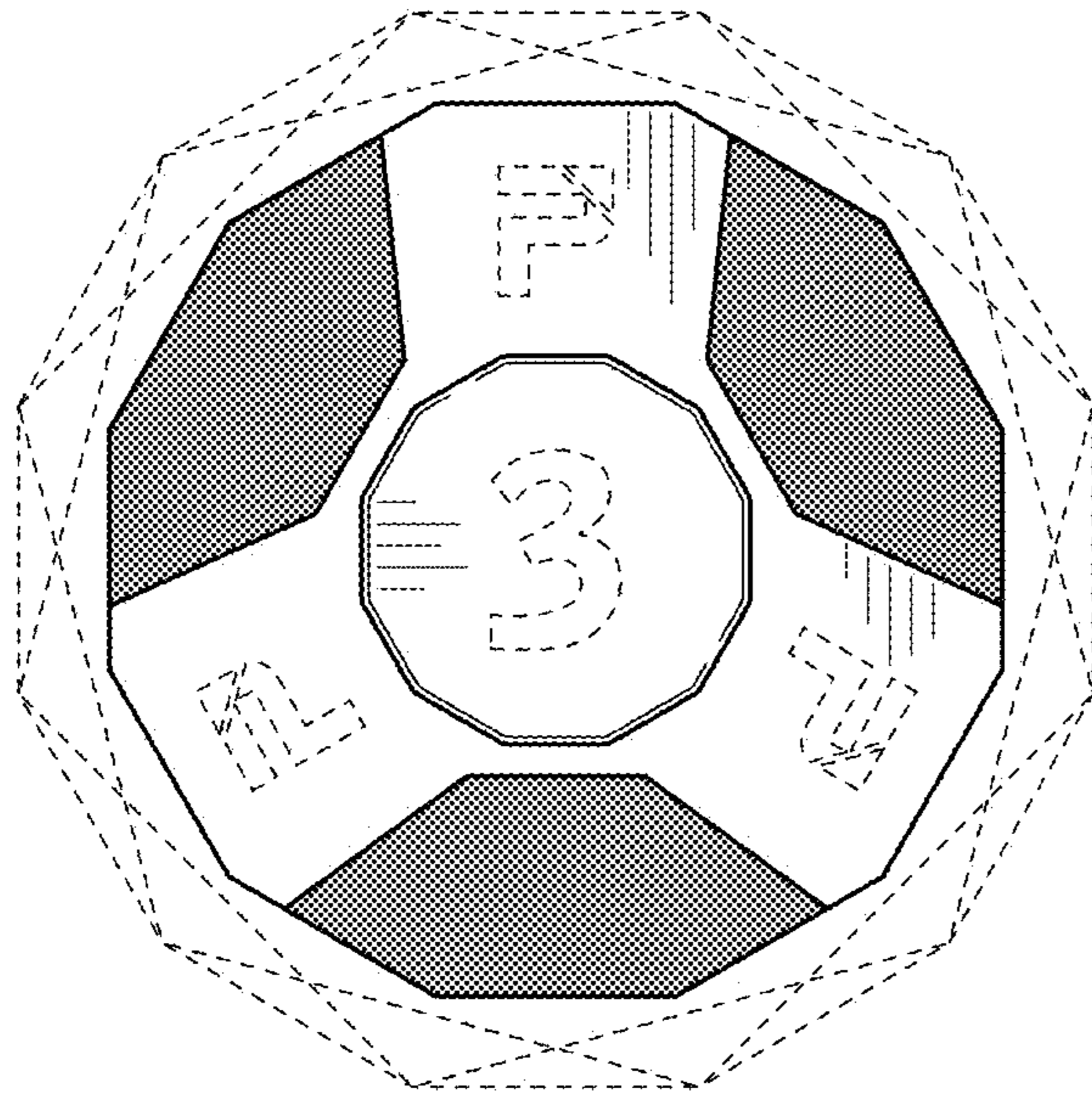


FIG. 3

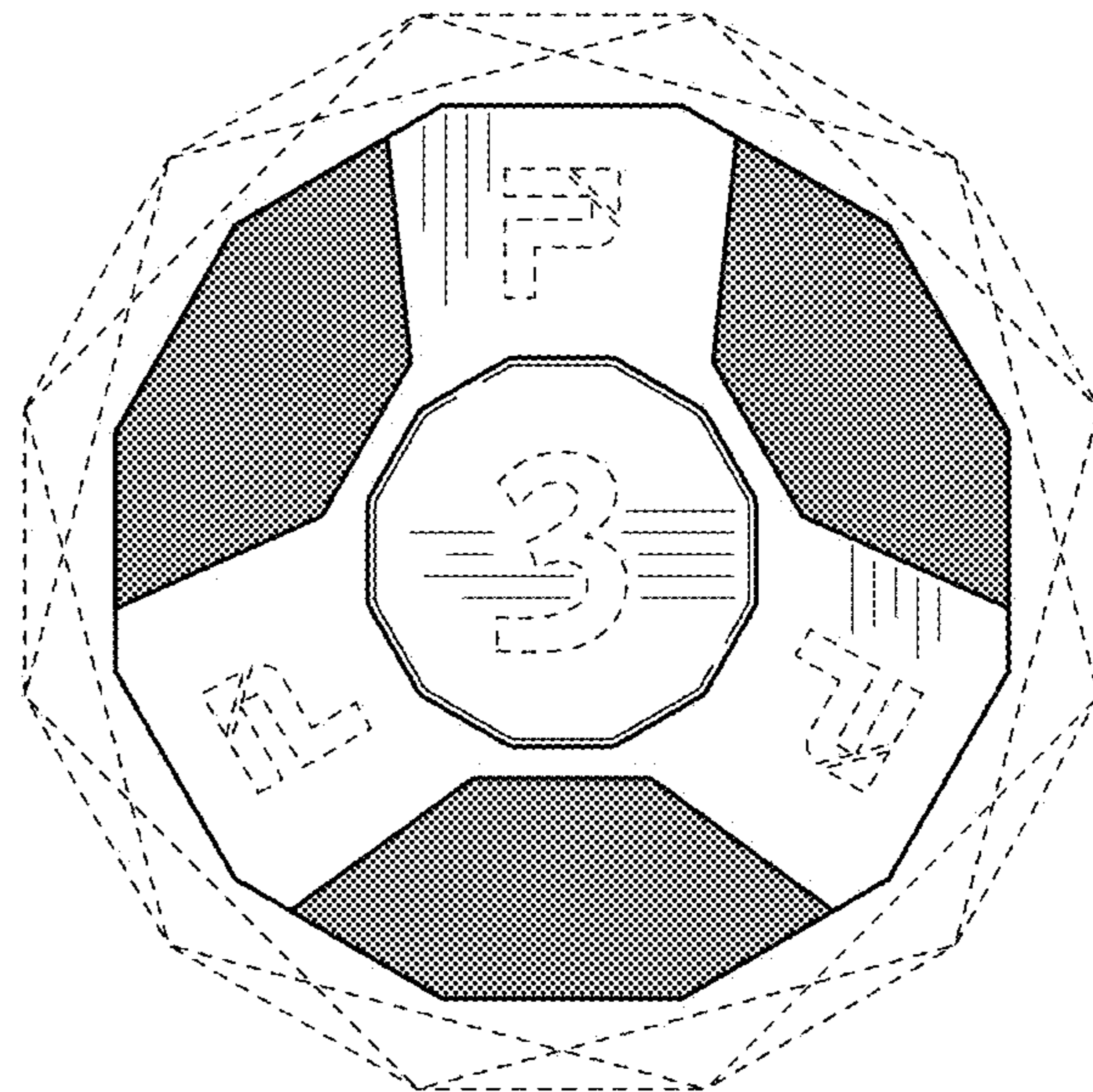


FIG. 4

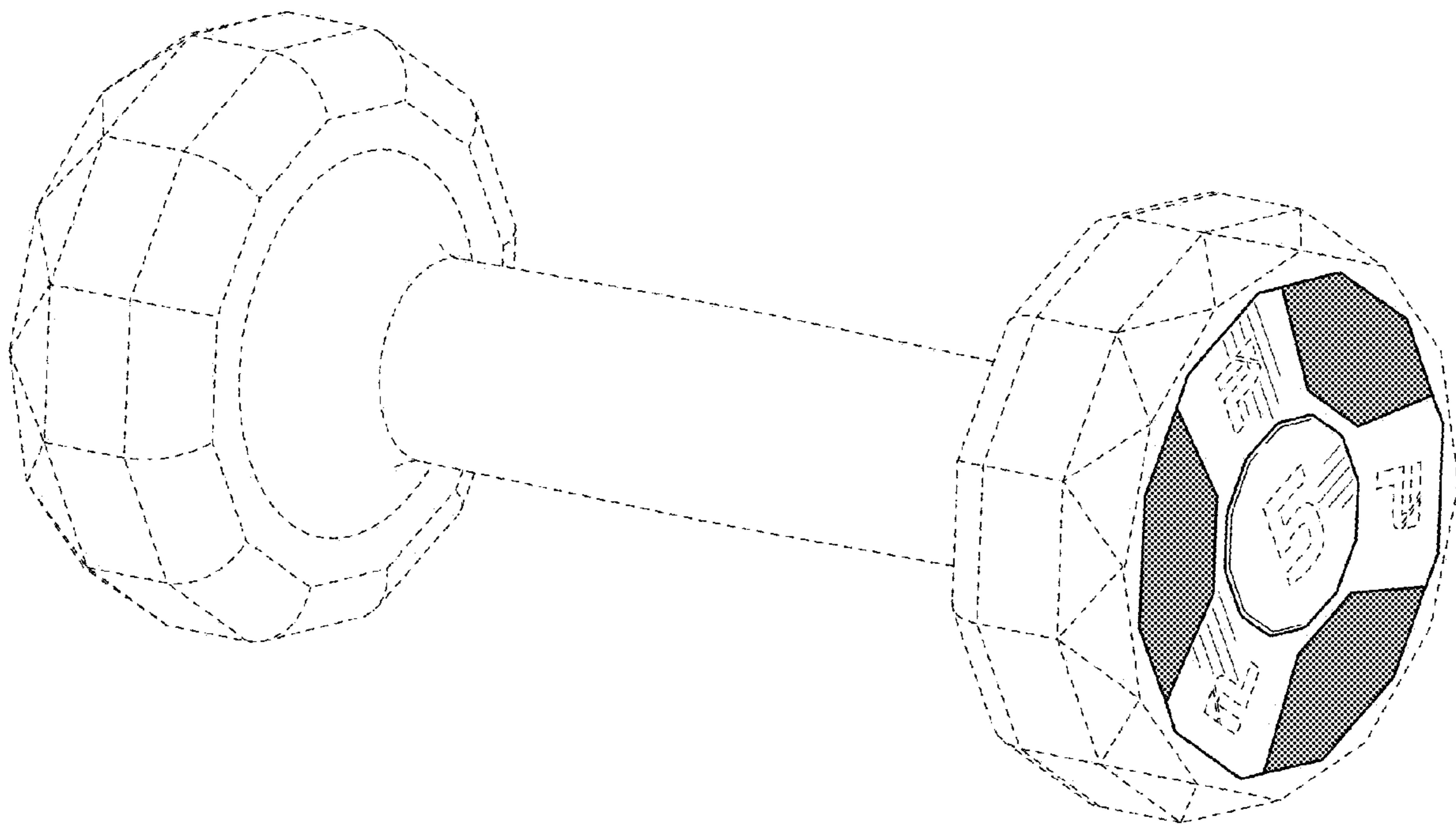


FIG. 5

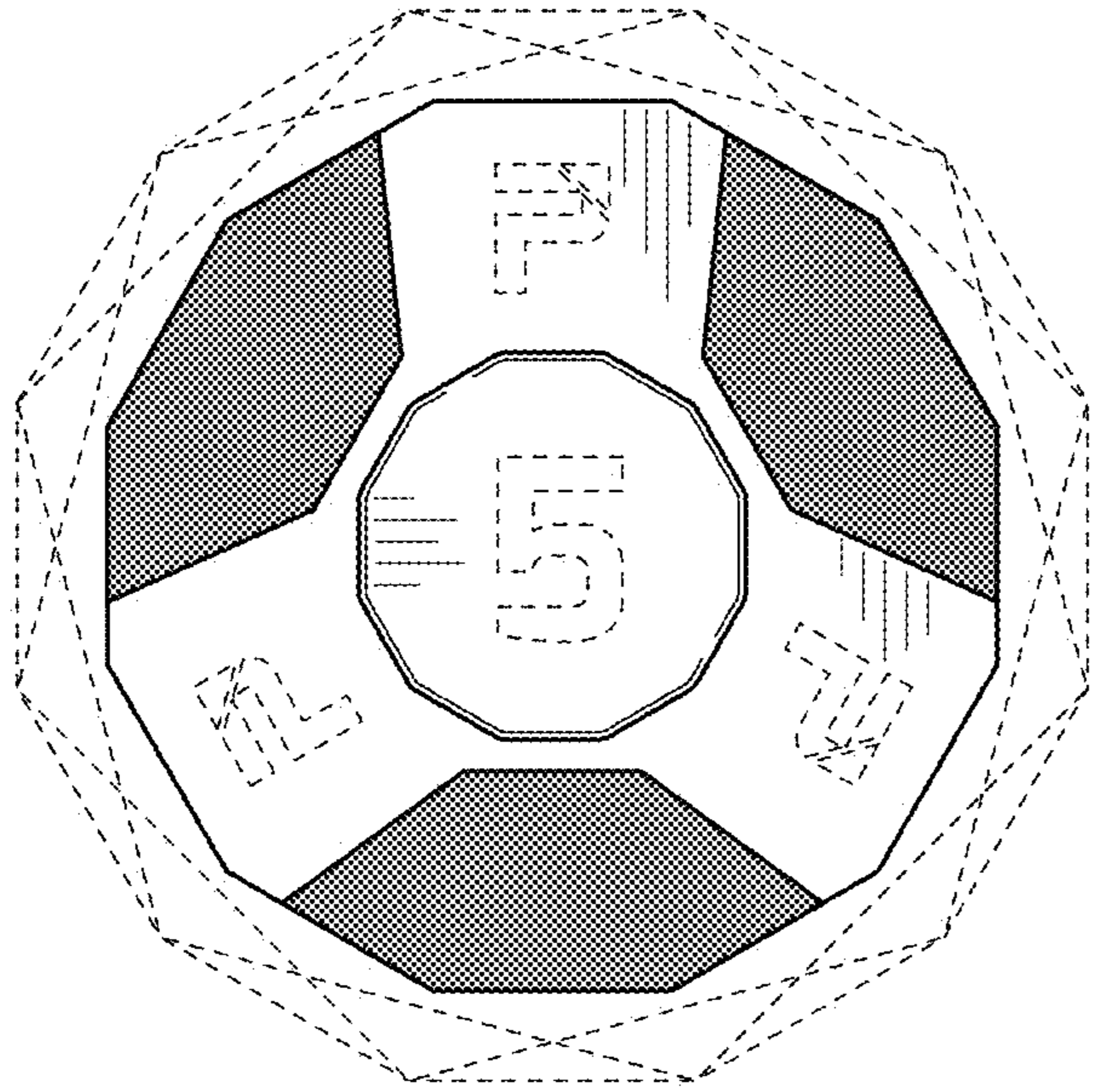


FIG. 6

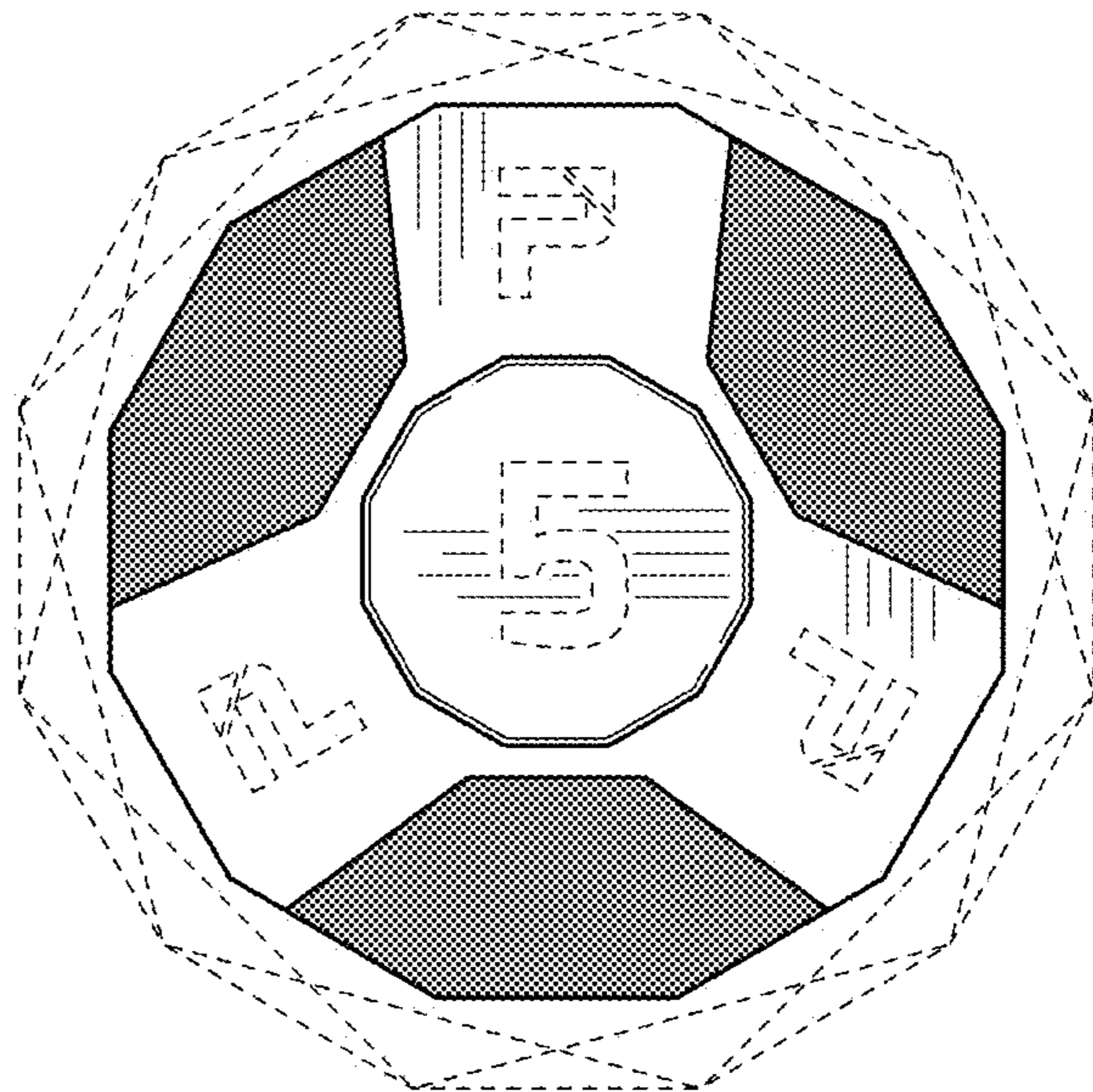


FIG. 7

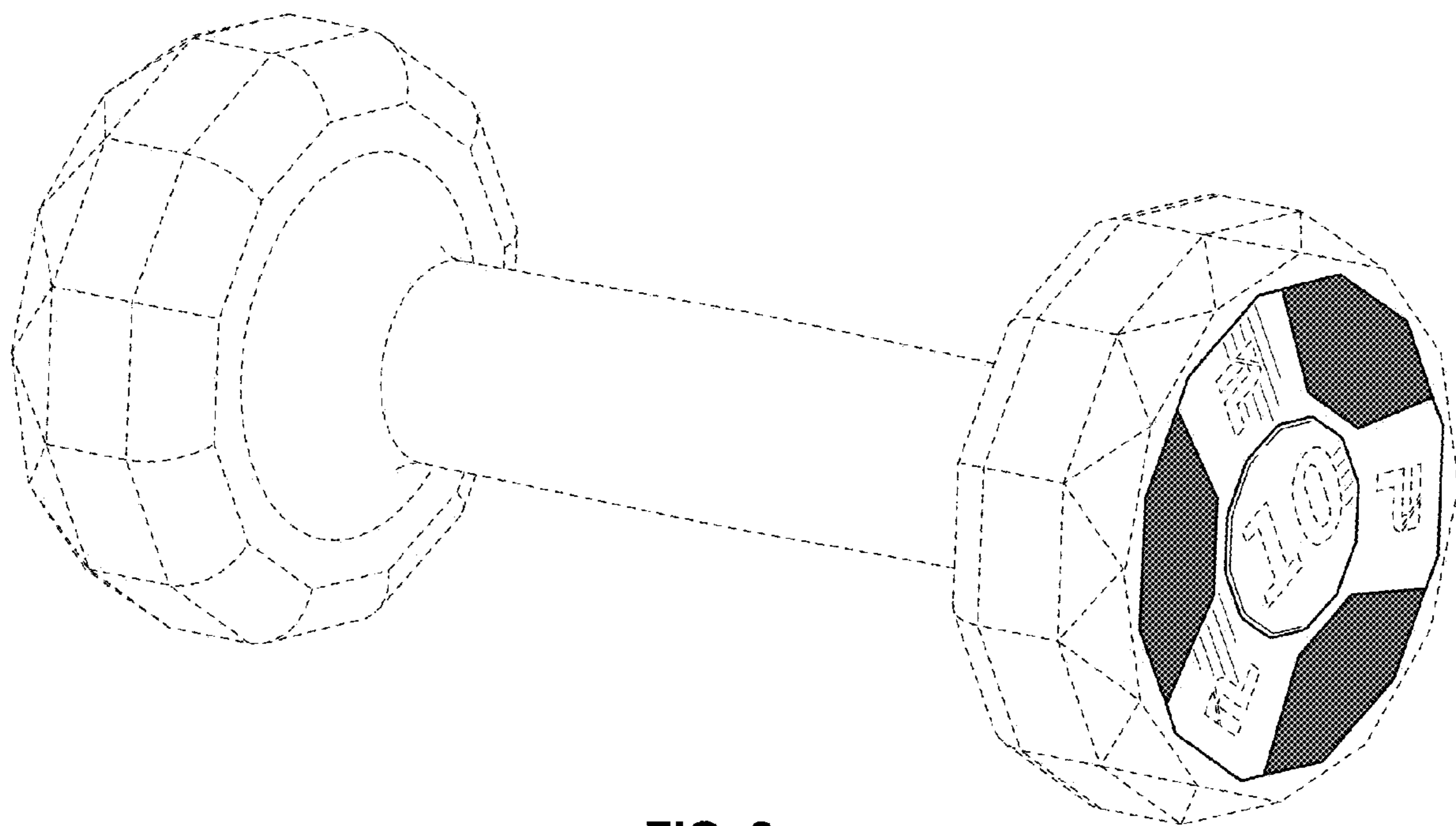


FIG. 8

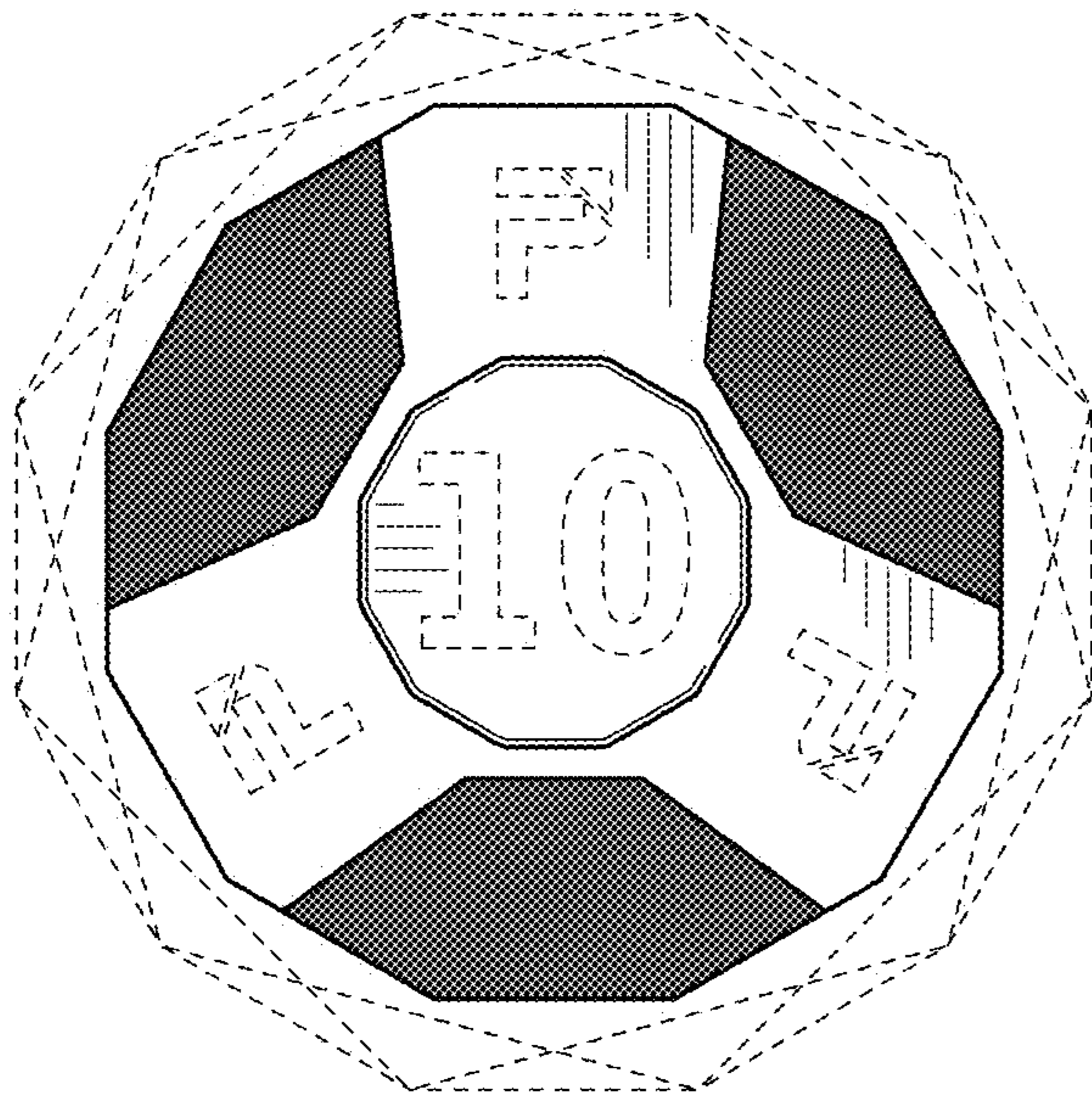


FIG. 9

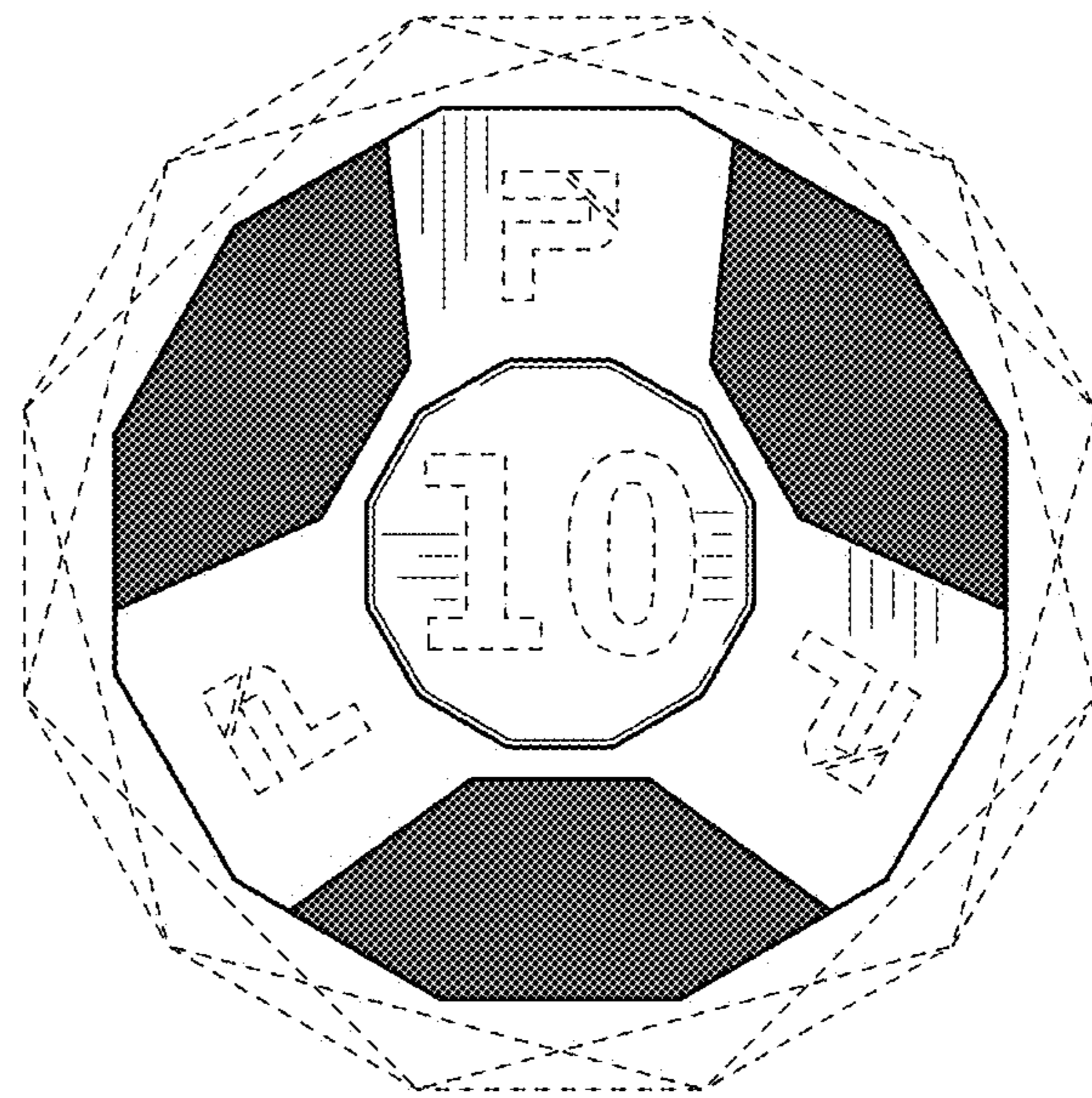


FIG. 10

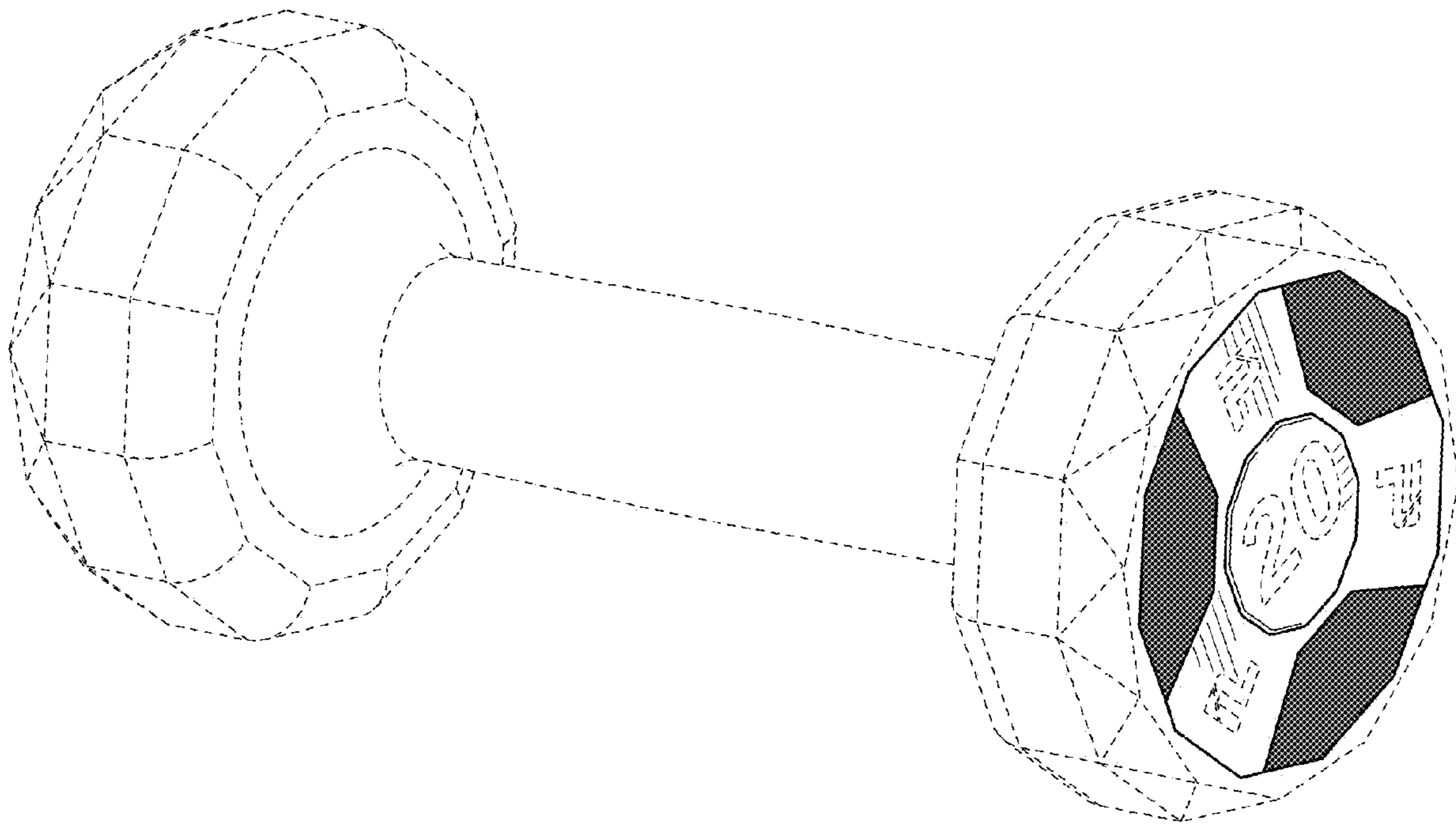


FIG. 11

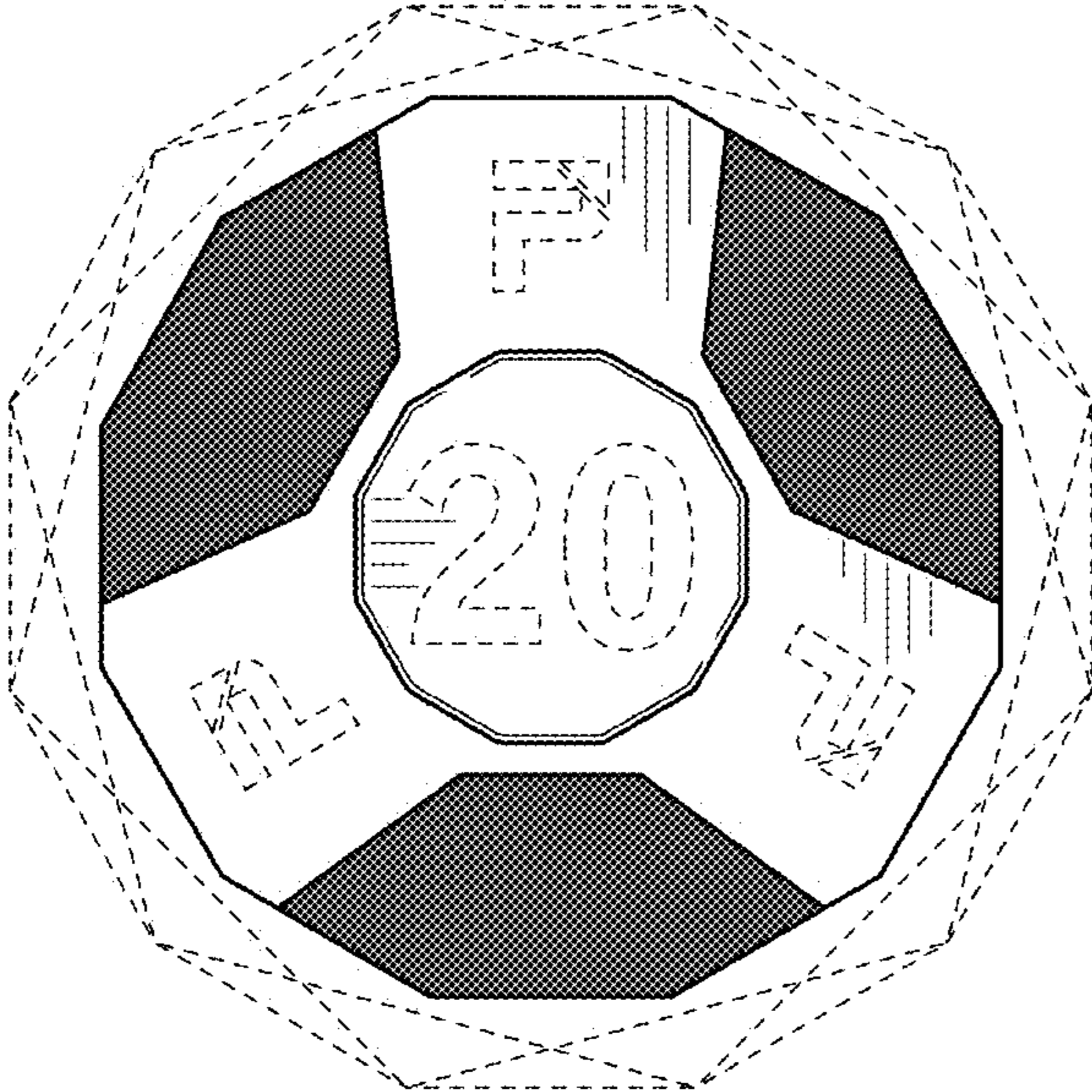


FIG. 12

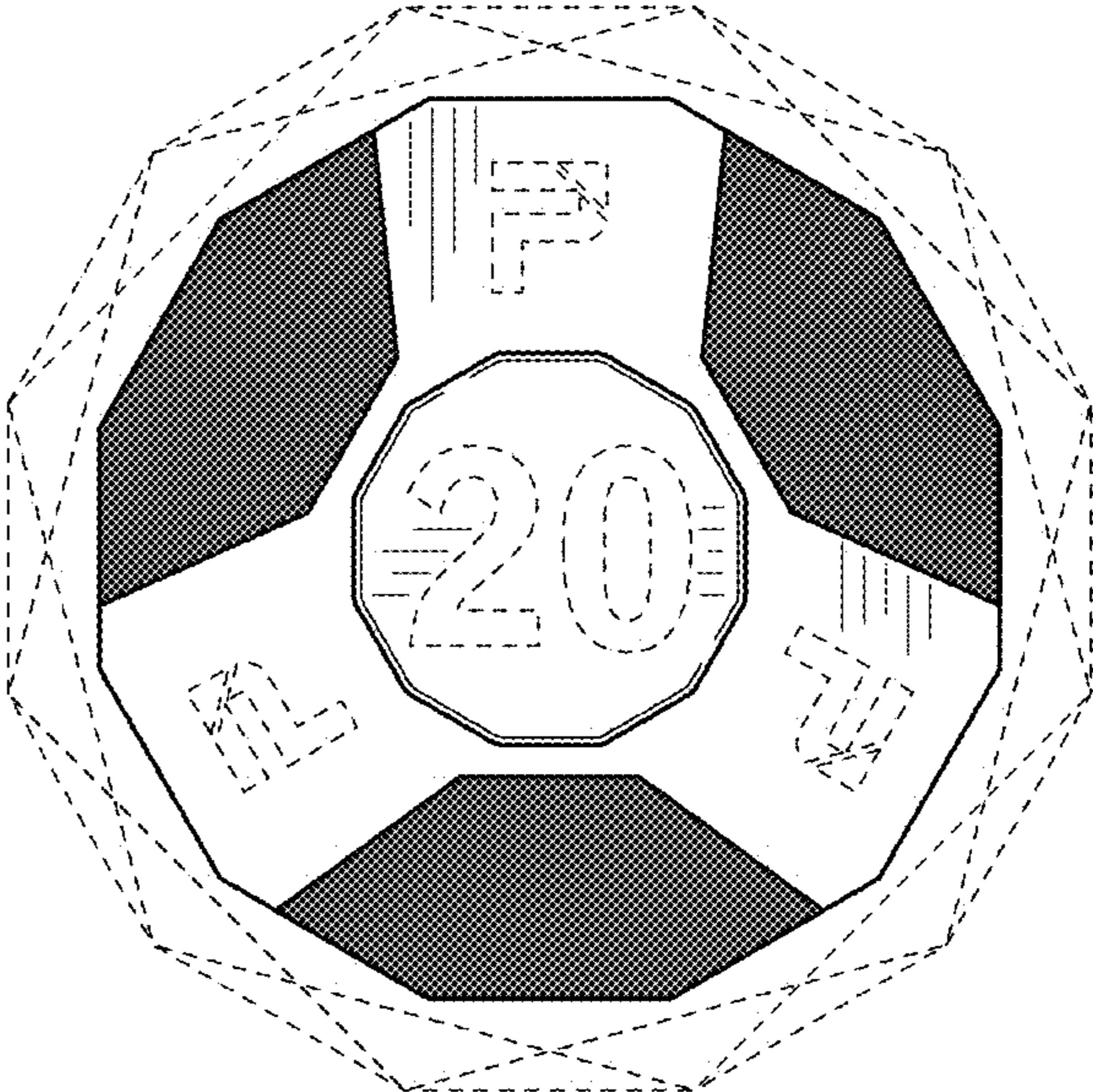


FIG. 13

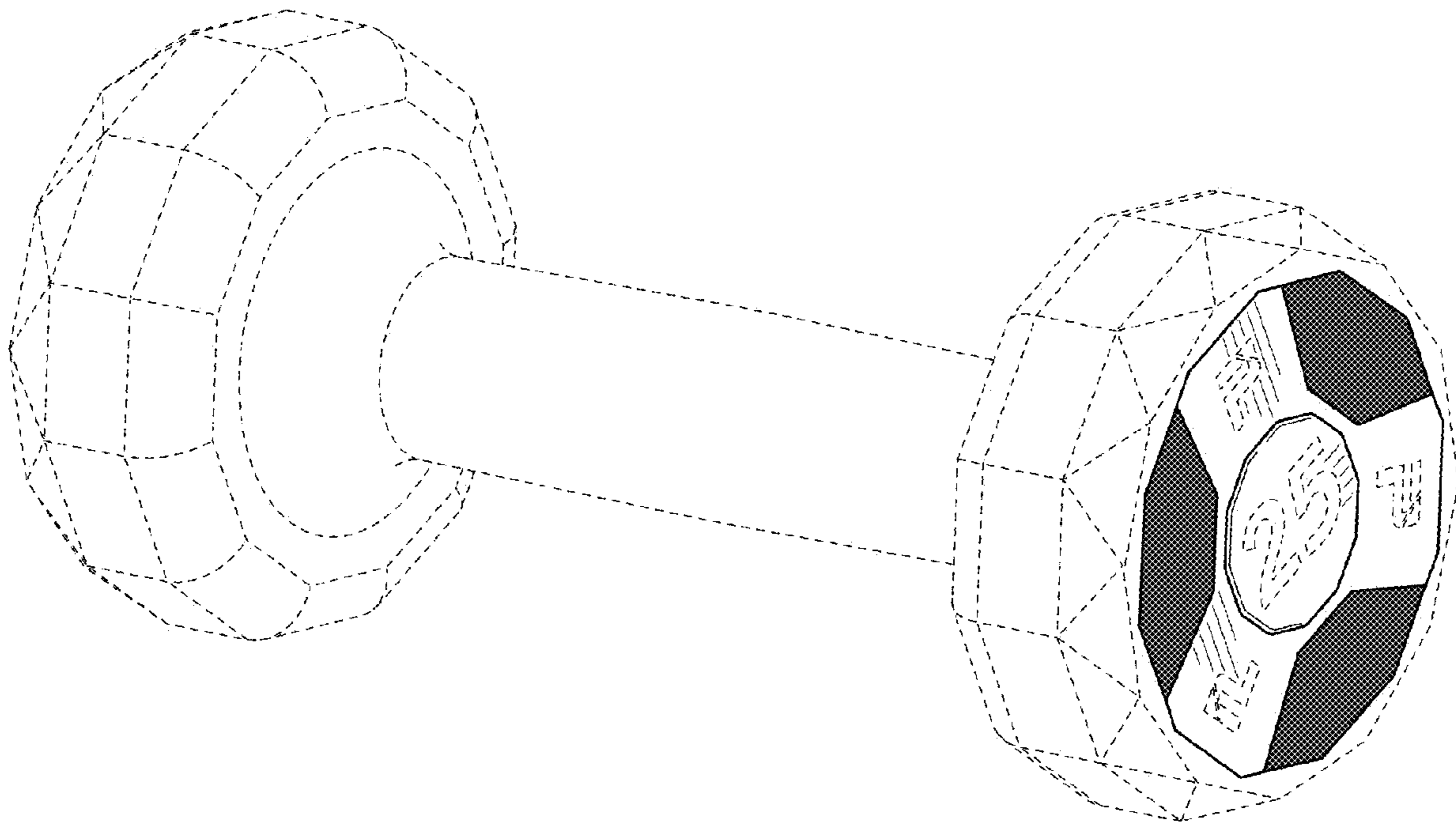


FIG. 14

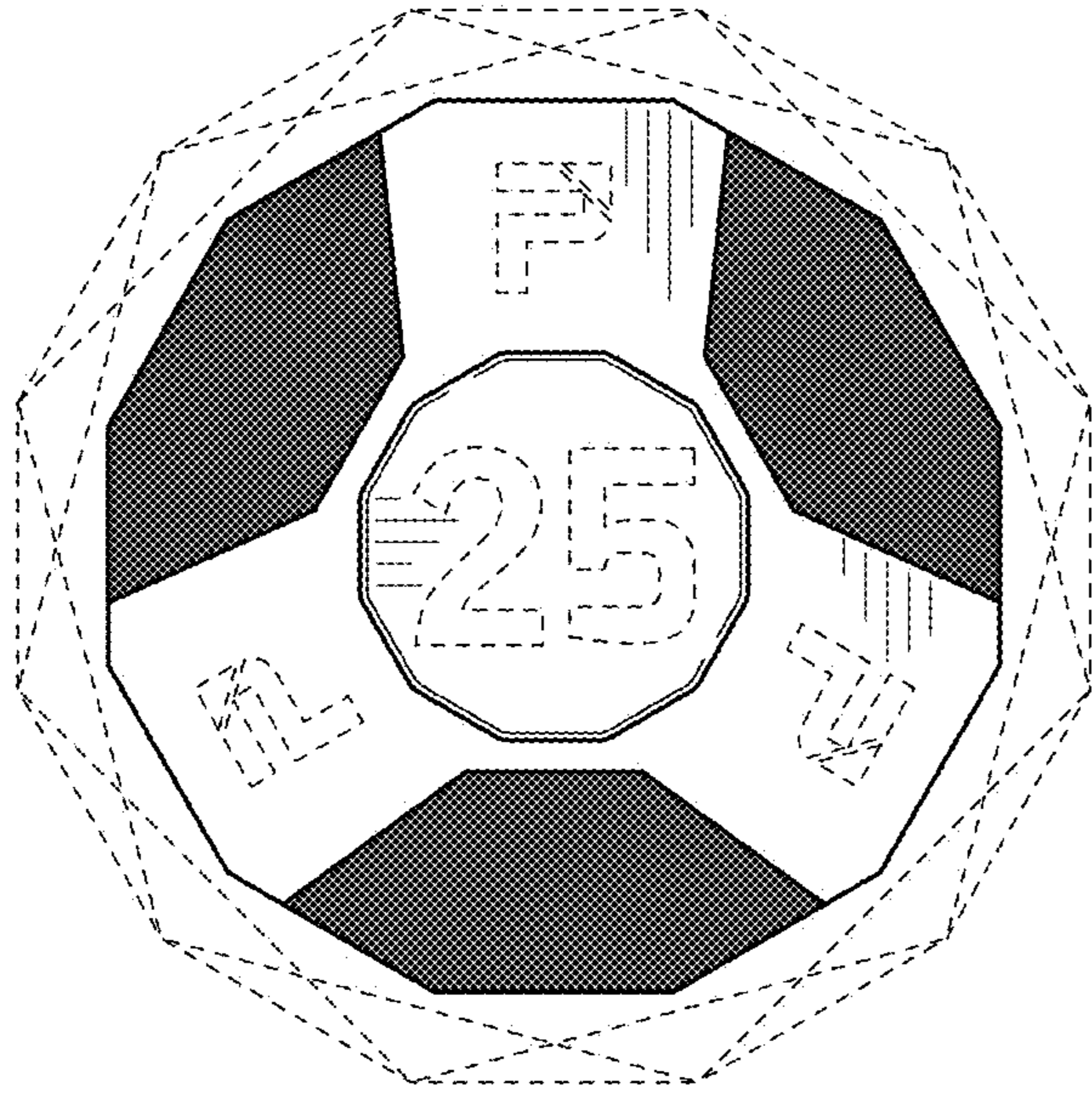


FIG. 15

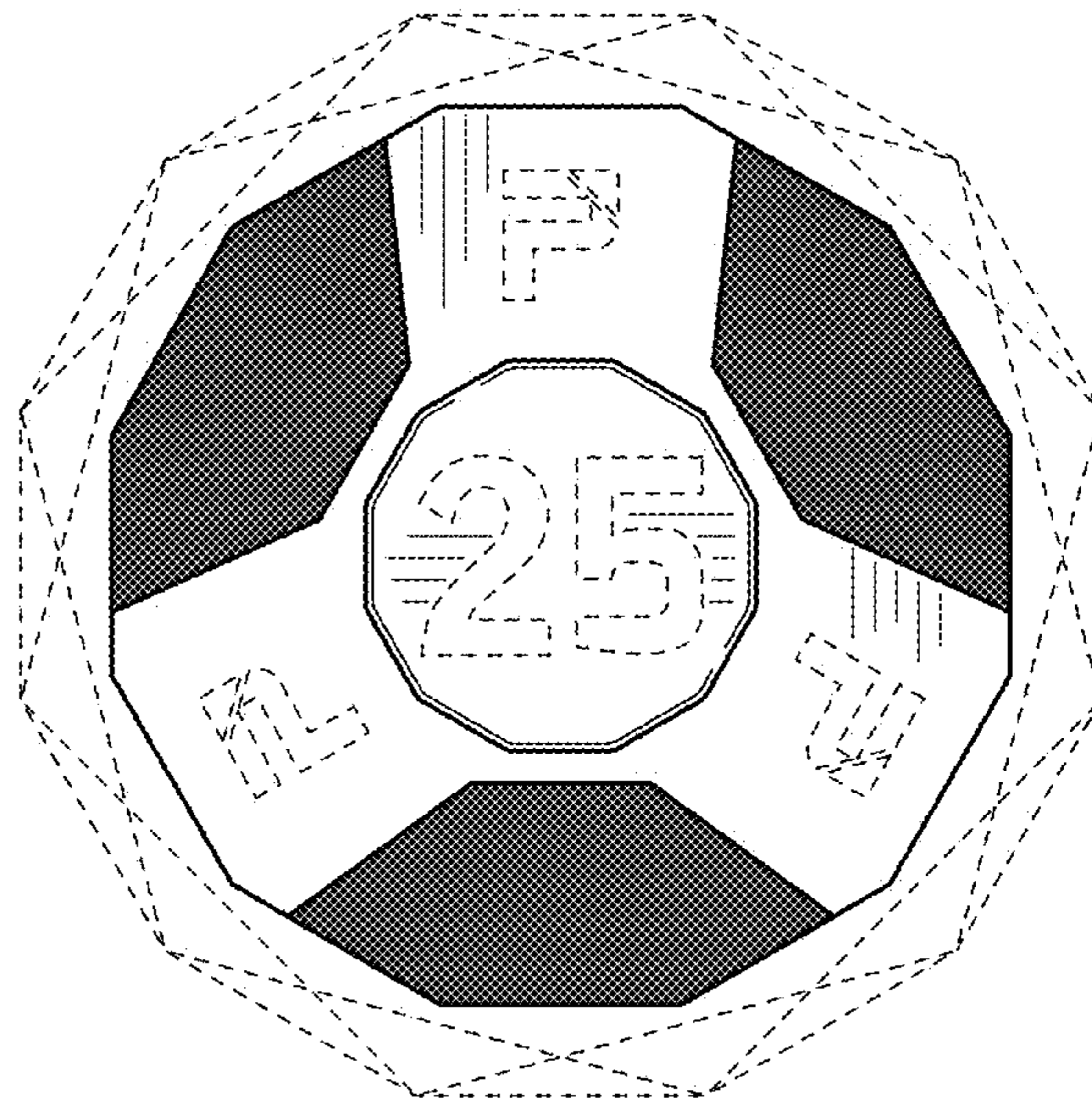


FIG. 16

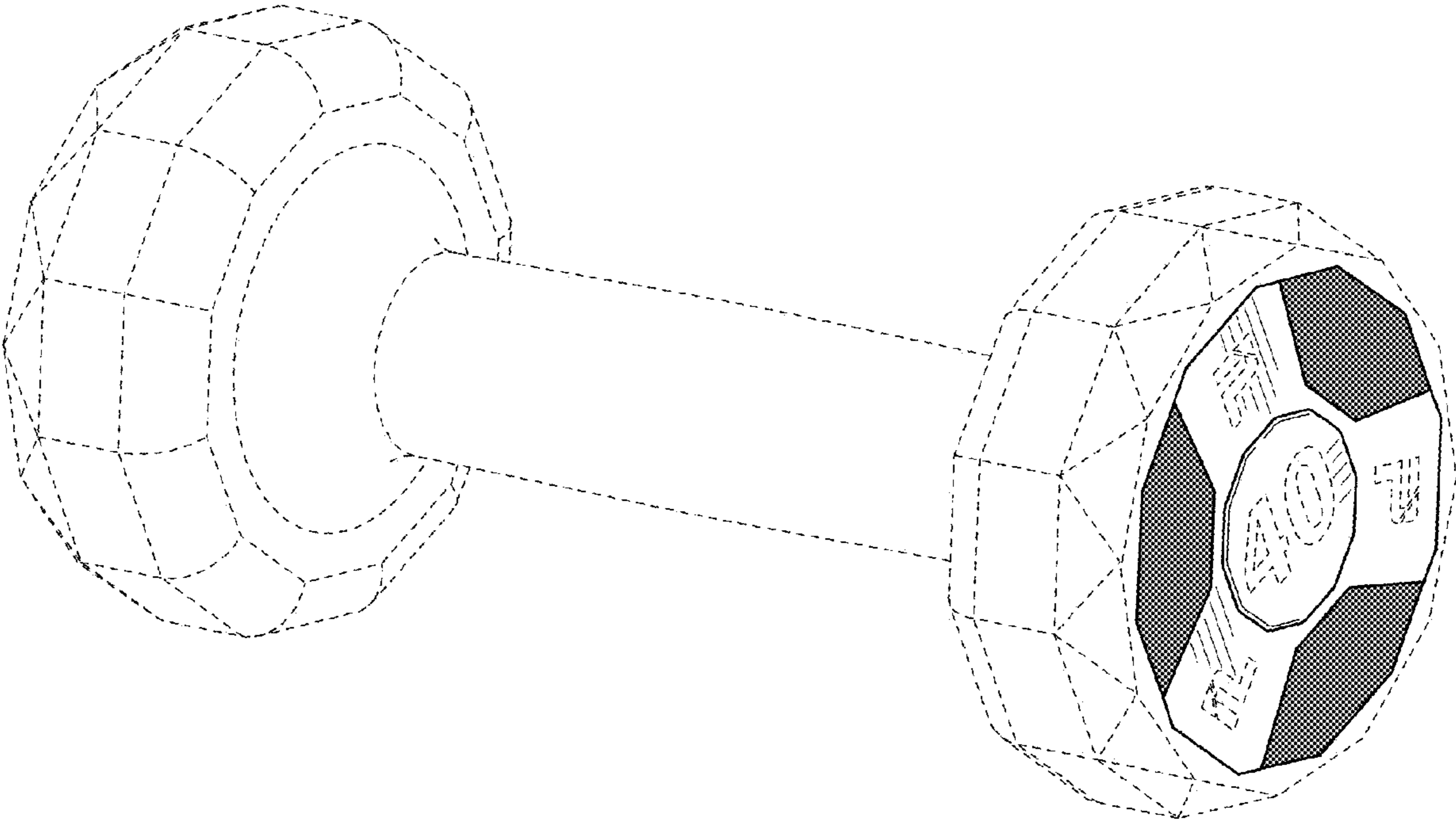


FIG. 17

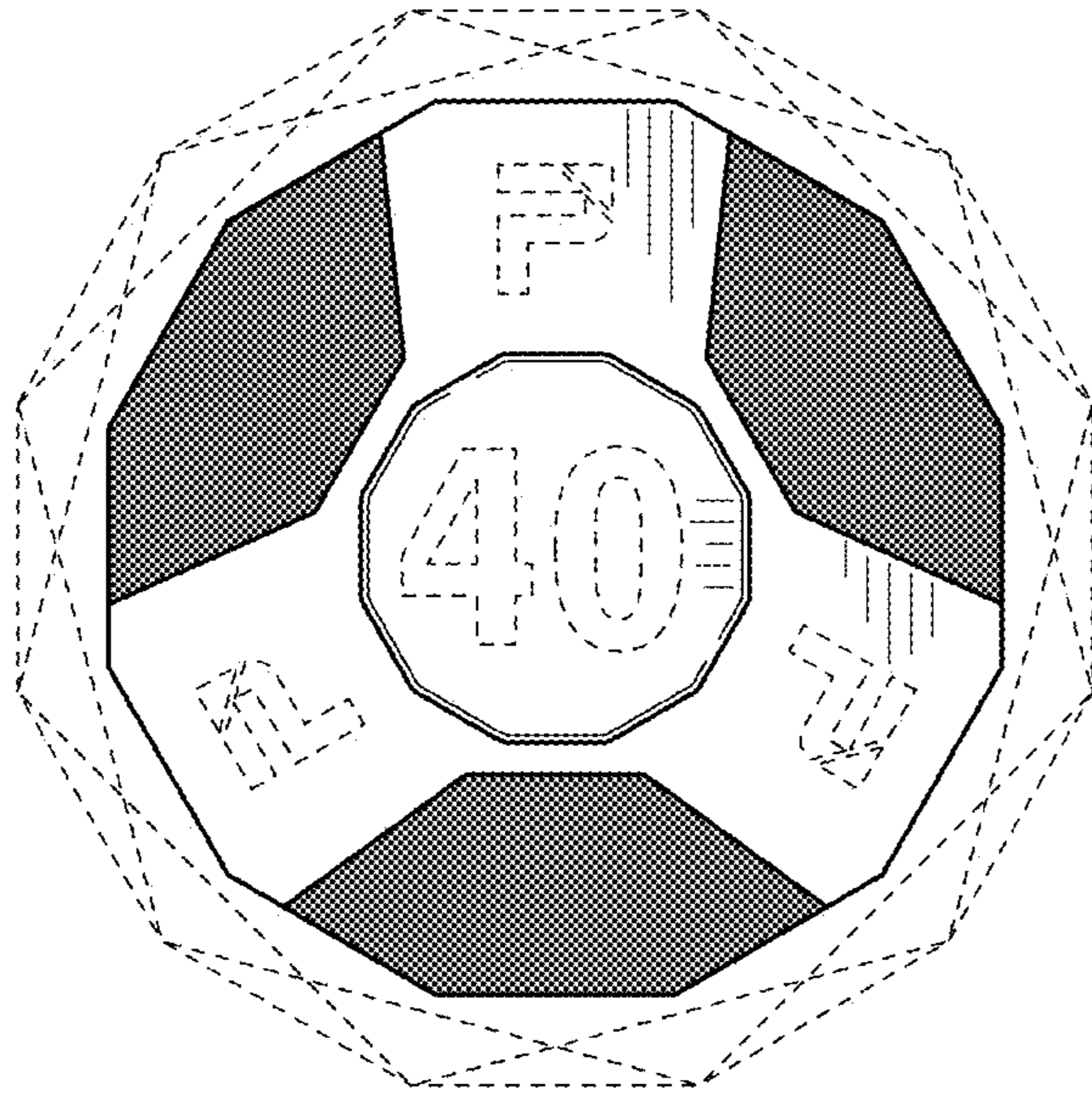


FIG. 18

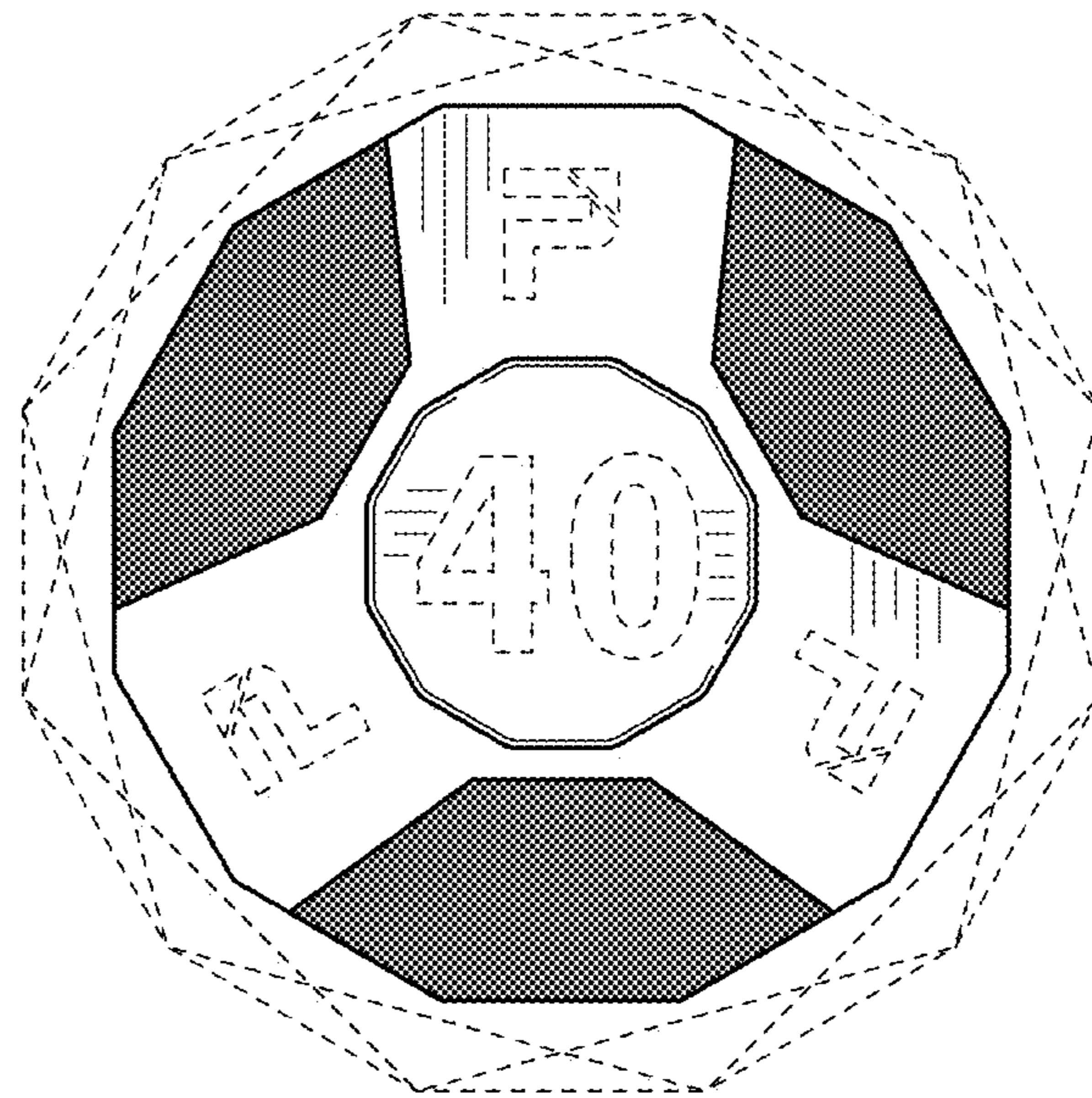


FIG. 19

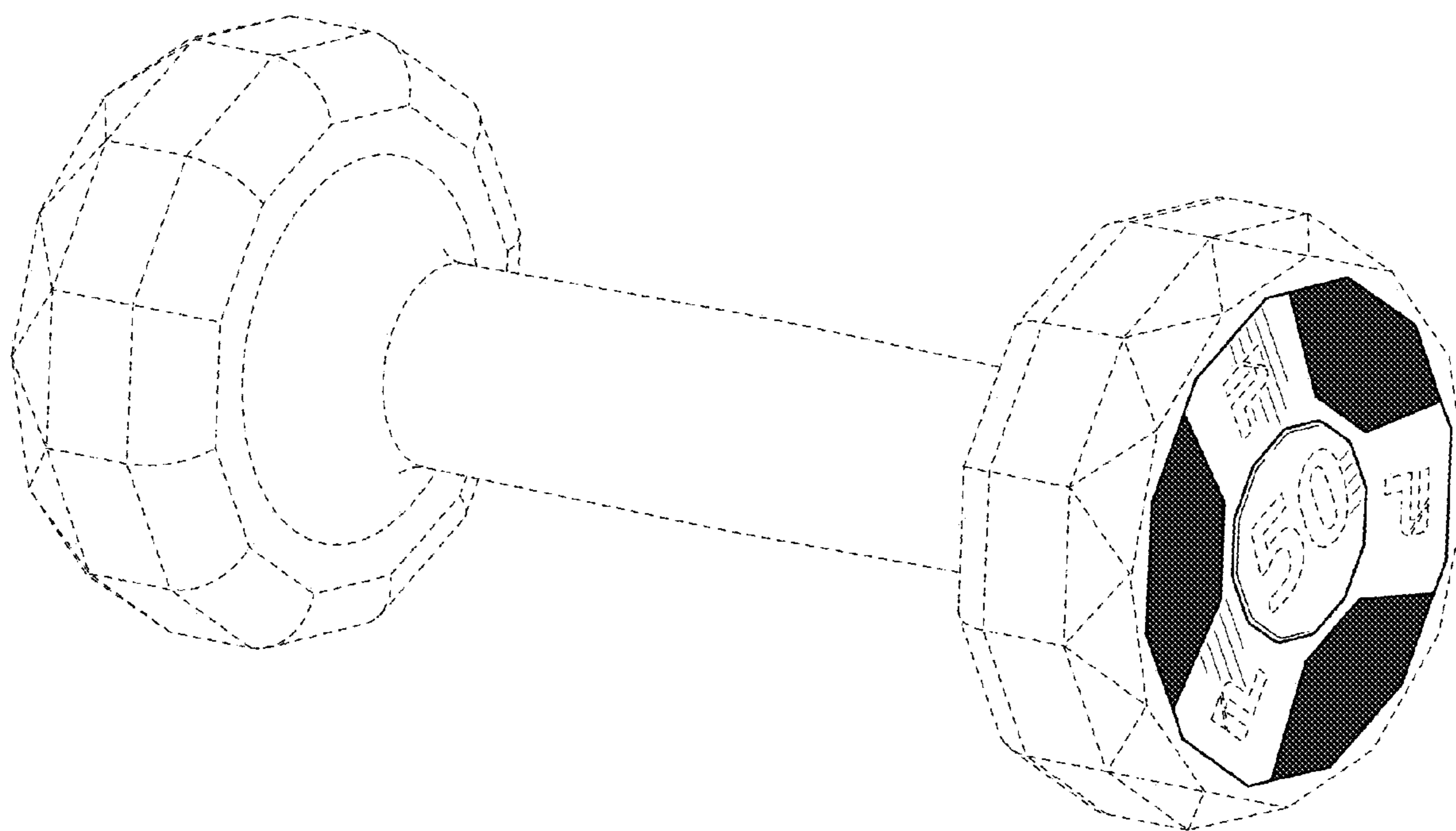


FIG. 20

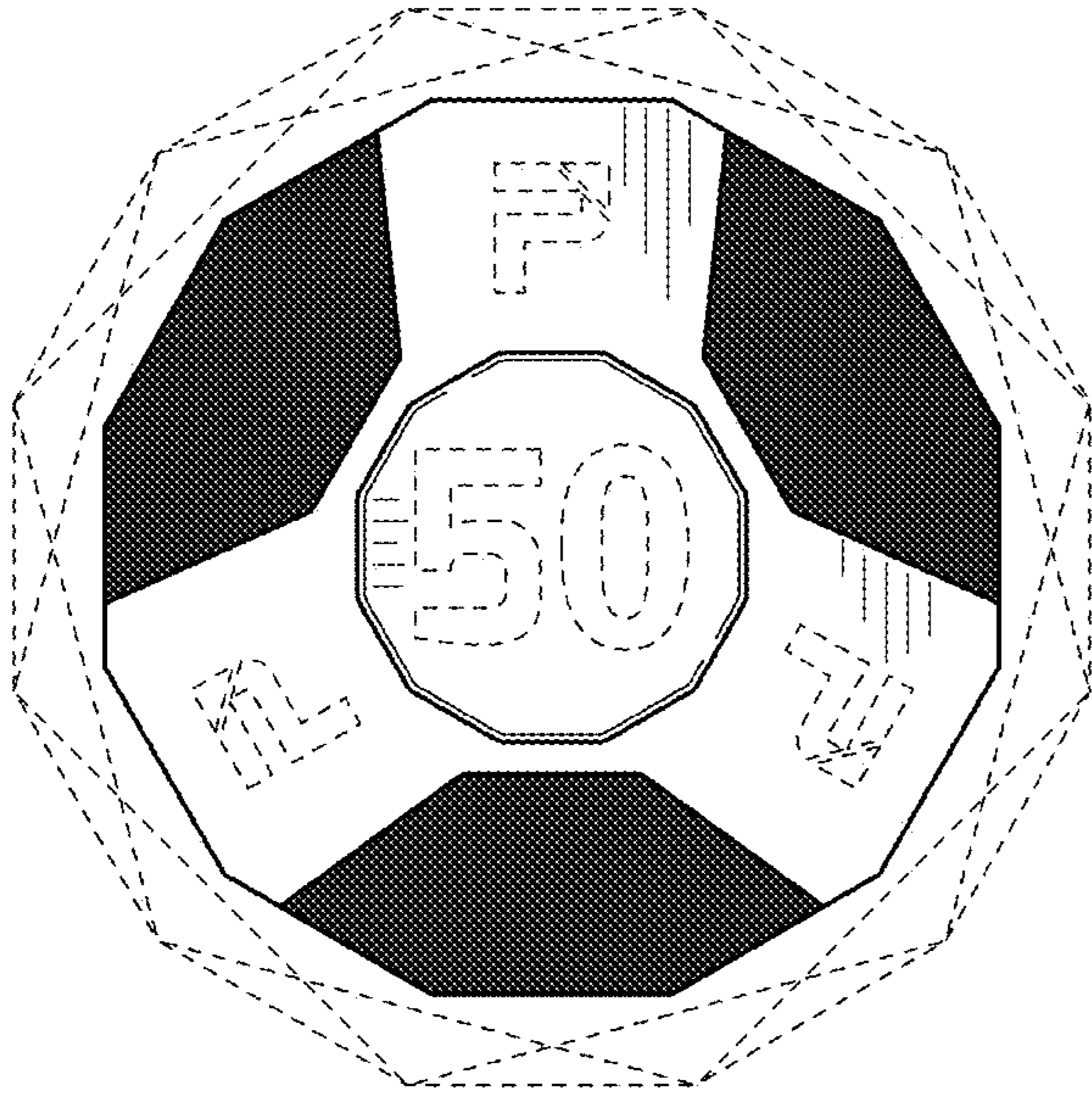


FIG. 21

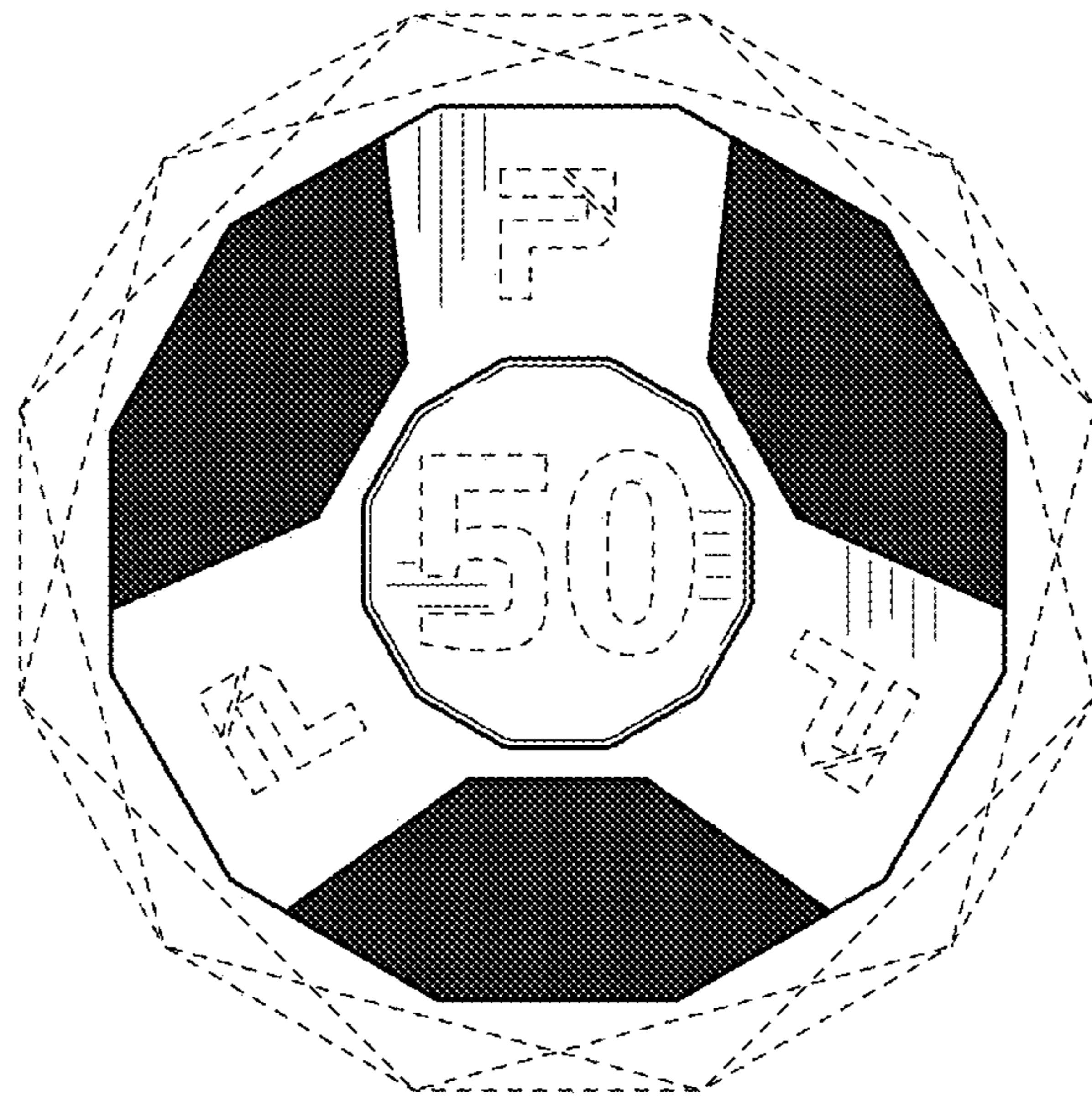


FIG. 22

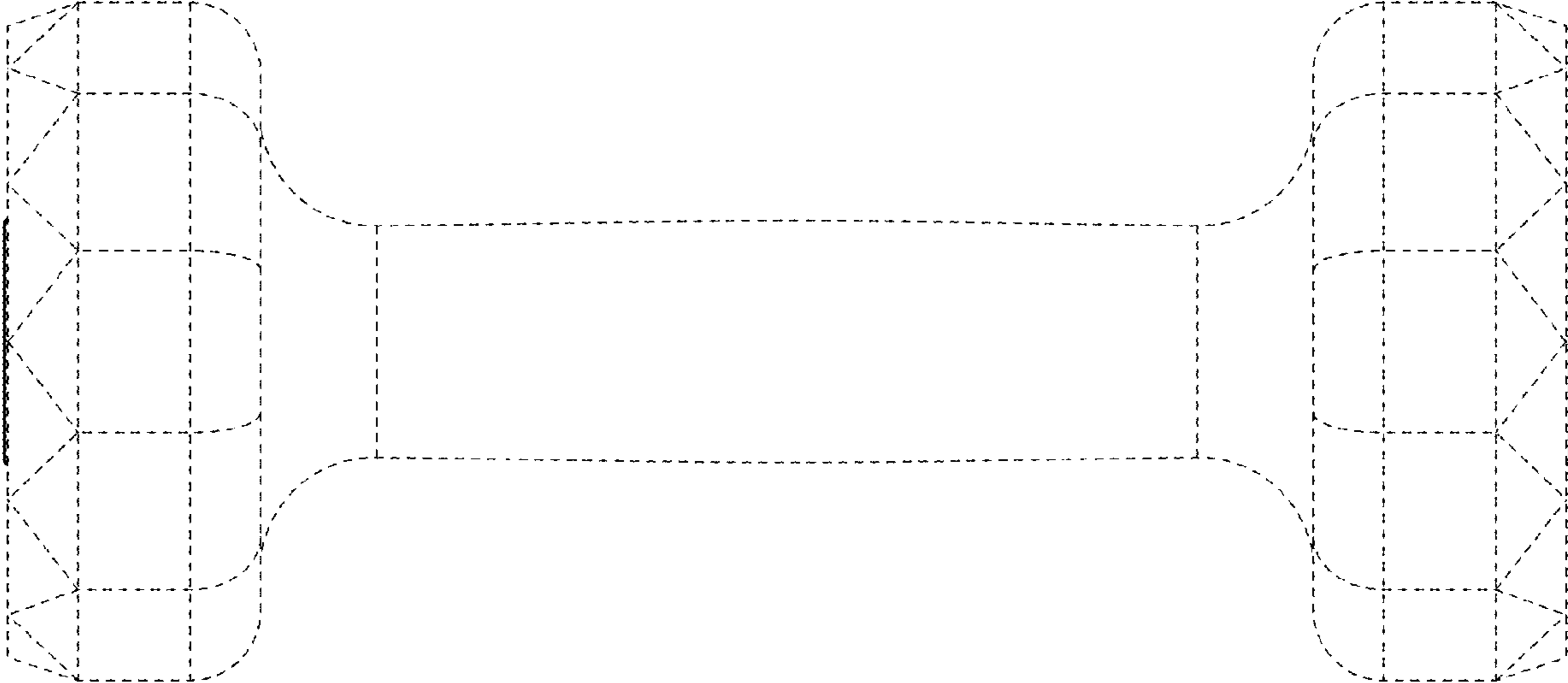


FIG. 23

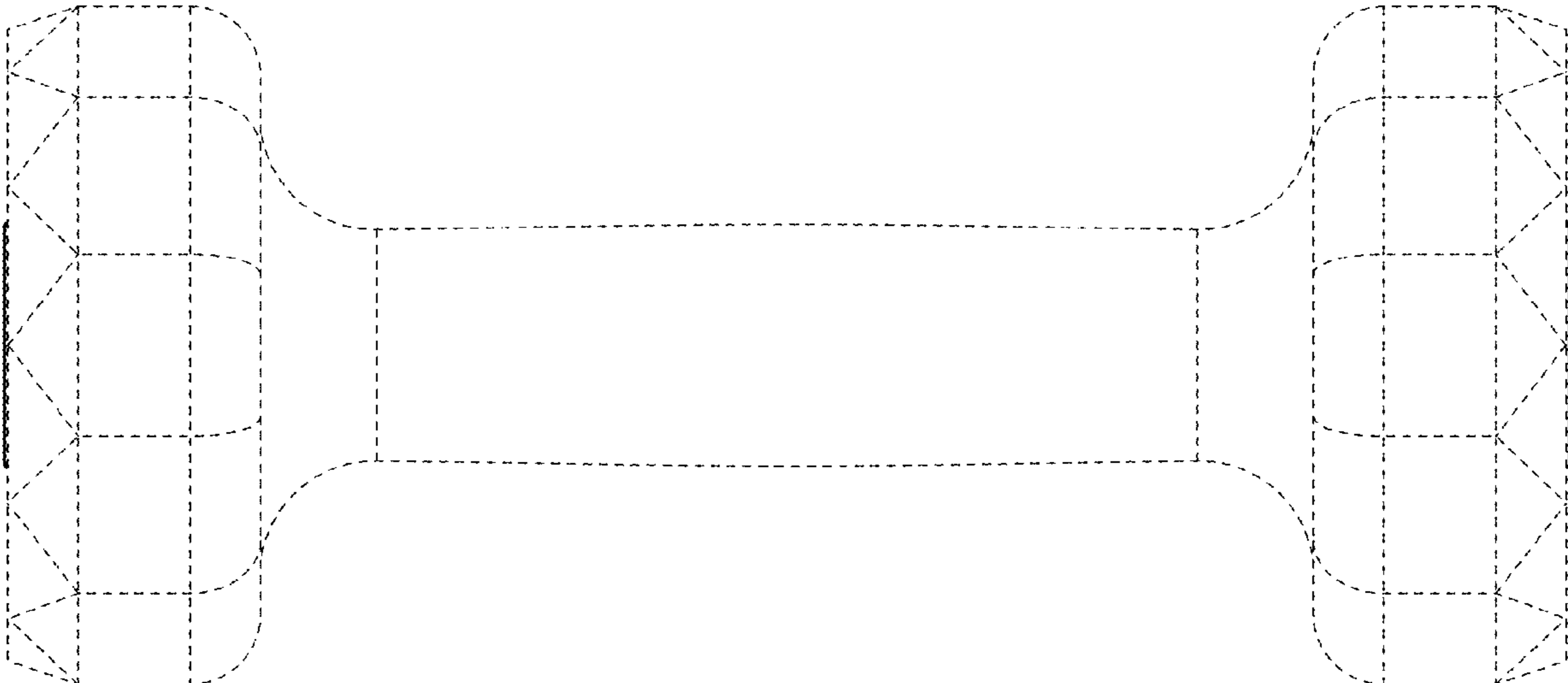


FIG. 24

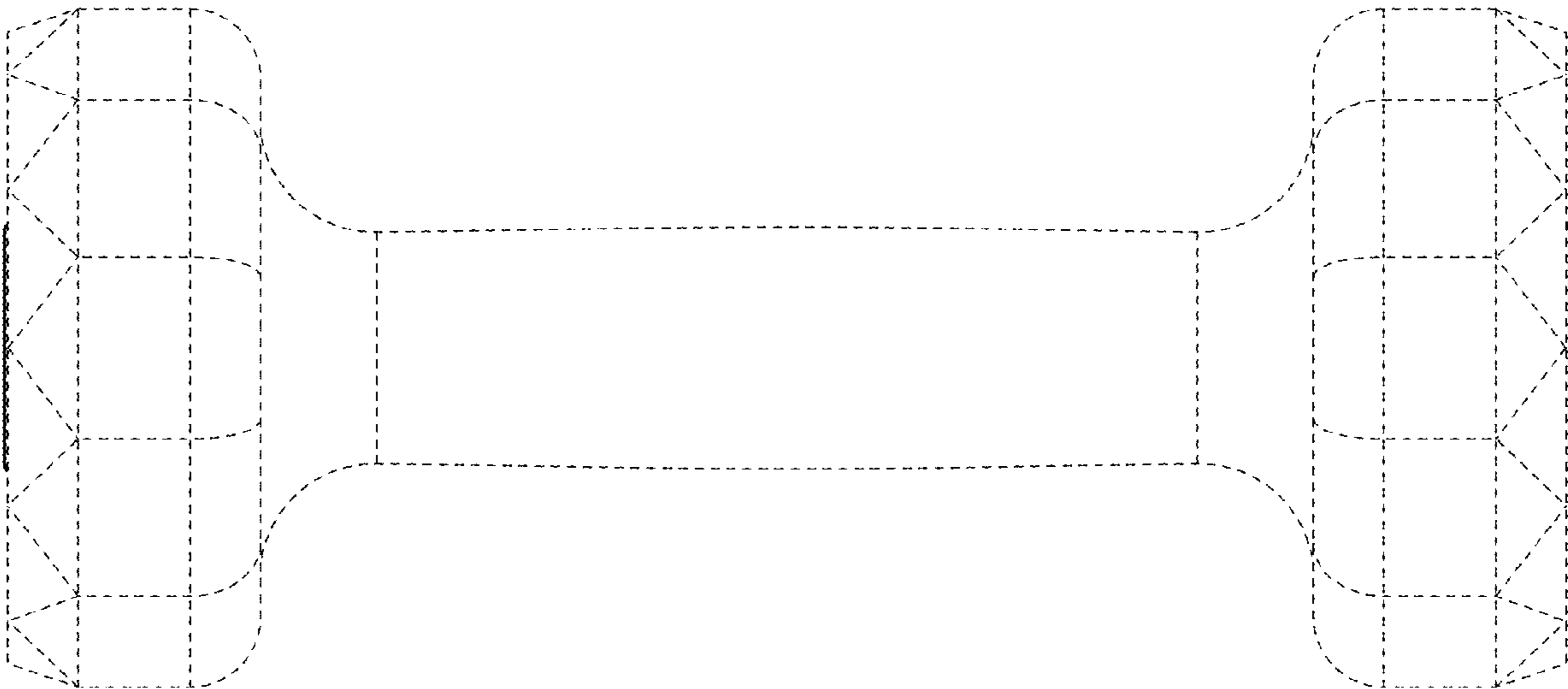


FIG. 25

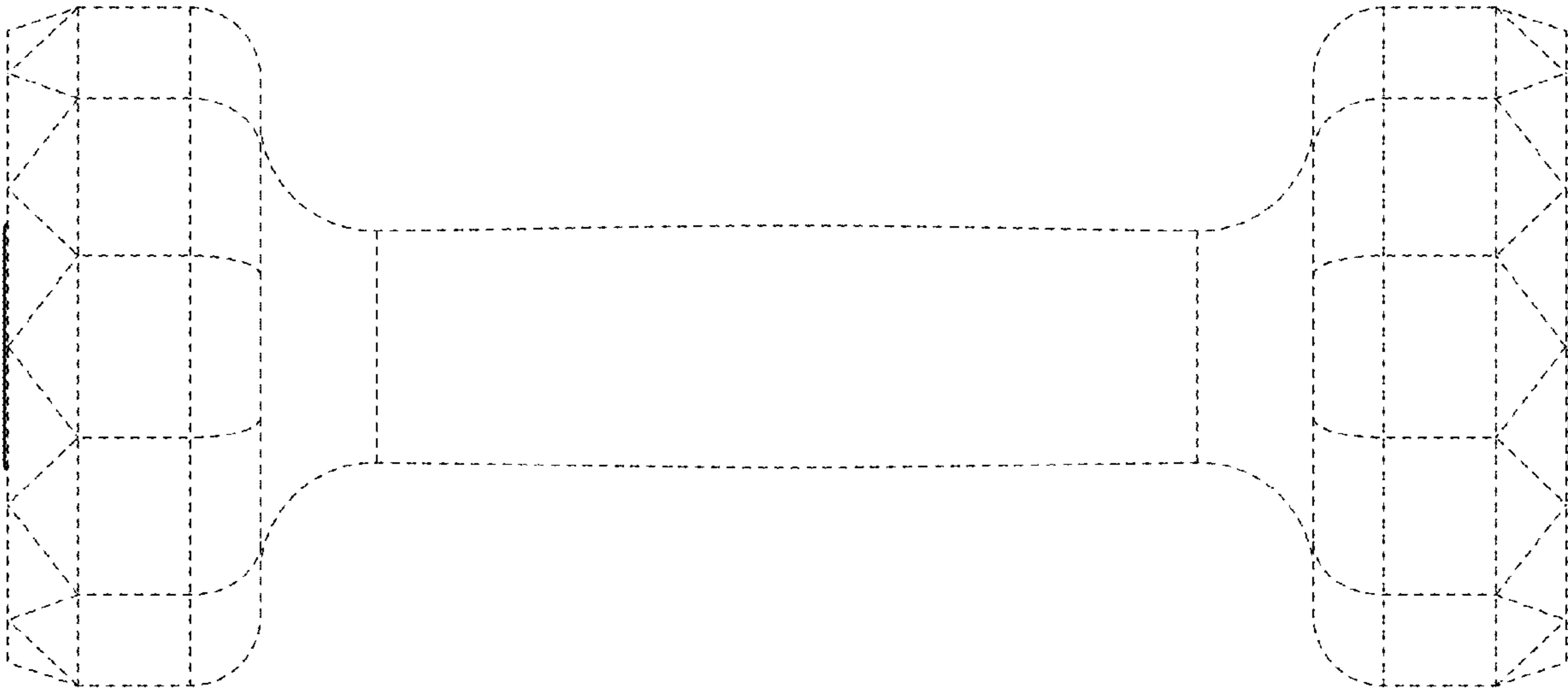


FIG. 26