



US00D954857S

(12) **United States Design Patent**  
**Yang**

(10) **Patent No.:** **US D954,857 S**  
(45) **Date of Patent:** **\*\* Jun. 14, 2022**

(54) **HULA RING**

(71) Applicant: **Zhigang Yang**, Zhejiang (CN)

(72) Inventor: **Zhigang Yang**, Zhejiang (CN)

(\*\*) Term: **15 Years**

(21) Appl. No.: **29/782,300**

(22) Filed: **May 6, 2021**

(51) **LOC (13) Cl.** ..... **21-02**

(52) **U.S. Cl.**  
USPC ..... **D21/662**

(58) **Field of Classification Search**  
USPC ..... D21/683, 457, 488, 691, 662, 797  
See application file for complete search history.

(56) **References Cited**

U.S. PATENT DOCUMENTS

D55,412 S *	6/1920	Brown	.....	D21/457
2,644,270 A *	7/1953	Marong	.....	A63B 67/08
				446/170
D231,111 S *	4/1974	Catron	.....	D21/457
D342,294 S *	12/1993	Kirkland	.....	D21/457
5,338,244 A *	8/1994	Huang	.....	A63B 19/00
				446/236
5,997,449 A *	12/1999	Lee	.....	A61H 15/00
				446/236
D442,234 S *	5/2001	Seo	.....	D21/457
D445,146 S	7/2001	Seo		
D847,910 S	5/2019	Yoon		
D937,357 S *	11/2021	Ju	.....	D21/457
11,173,336 B1 *	11/2021	Xu	.....	A63B 21/0602
2004/0048725 A1 *	3/2004	Dong	.....	A63B 19/02
				482/148
2004/0077270 A1 *	4/2004	Kuk	.....	A61H 15/00
				446/236
2016/0332018 A1 *	11/2016	Granat	.....	A63B 19/00
2017/0100620 A1 *	4/2017	Hsiao	.....	A63B 19/00
2021/0252323 A1 *	8/2021	Lu	.....	A63B 19/02
2021/0299508 A1 *	9/2021	Gupilan, Sr.	.....	A63B 23/04

FOREIGN PATENT DOCUMENTS

GB 6135129 \* 5/2021

OTHER PUBLICATIONS

ZQK, announced Jan. 26, 2021 [online], [site visited Jan. 5, 2021]. Available on the internet, URL:https://www.amazon.com/ZQK-Weighted-Detachable-Adjustable-Exercise/dp/B08V5BDQL9/ref (Year: 2021).\*

(Continued)

*Primary Examiner* — Khawaja Anwar  
*Assistant Examiner* — Julice Seung Eun Oum

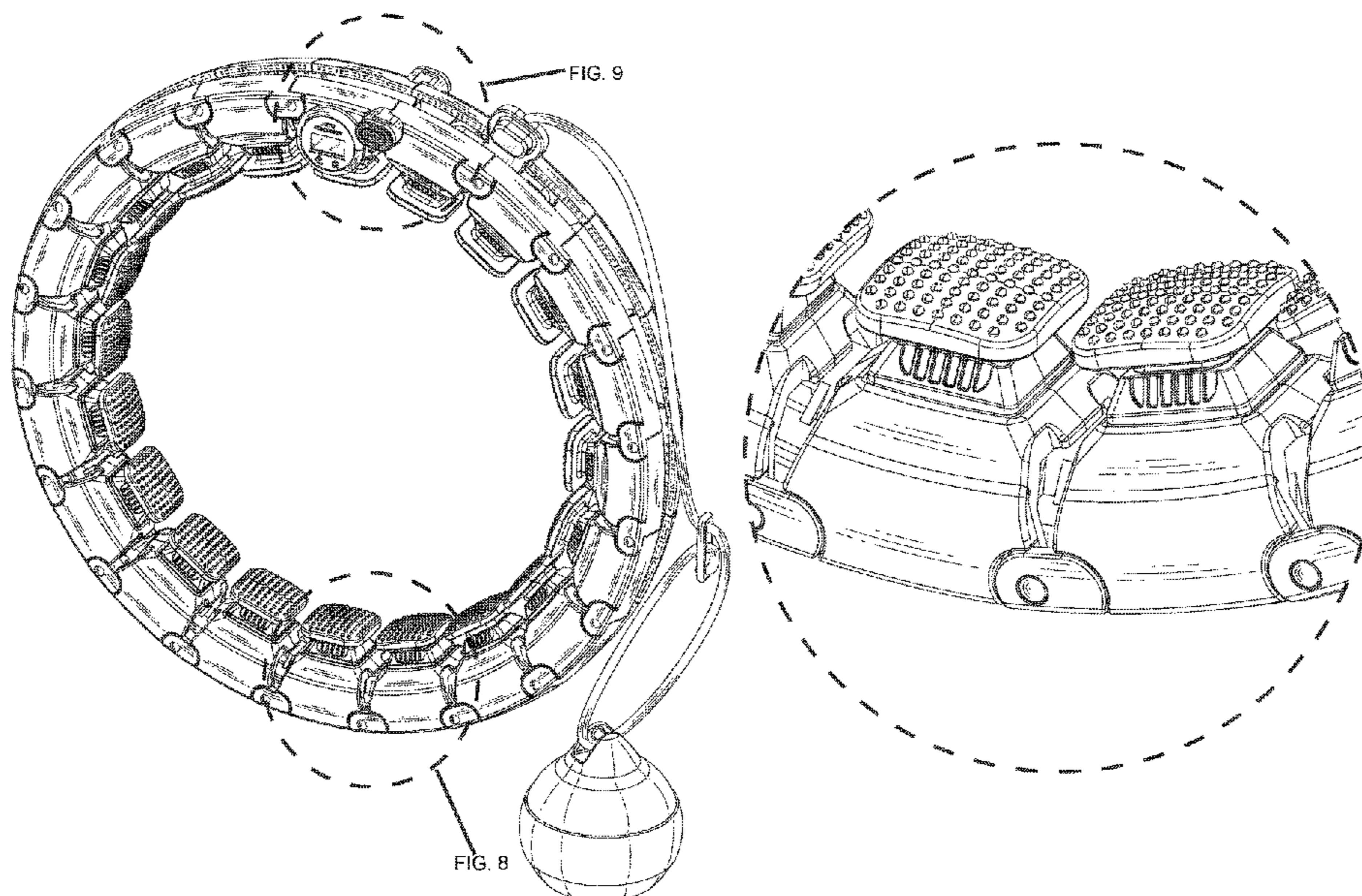
(57) **CLAIM**

The ornamental design for a hula ring, as shown and described.

**DESCRIPTION**

FIG. 1 is a perspective view of a hula ring showing my new design;  
FIG. 2 is a front elevational view thereof;  
FIG. 3 is a rear elevational view thereof;  
FIG. 4 is a left side elevational view thereof;  
FIG. 5 is a right side elevational view thereof;  
FIG. 6 is a top plan view thereof;  
FIG. 7 is a bottom plan view thereof;  
FIG. 8 is a an enlarged perspective view shown from FIG. 1 thereof; and,  
FIG. 9 is another enlarged perspective view shown from FIG. 1.  
The broken lines throughout the drawing figures depict portions of the hula ring that form no part of the claimed design.

**1 Claim, 9 Drawing Sheets**



(56)

**References Cited**

OTHER PUBLICATIONS

ModernSolutions, announced Apr. 13, 2021 [online], [site visited Jan. 5, 2021]. Available on the internet, URL:<https://www.amazon.com/Modern-Solutions-Adjustable-Detachable-Auto-Spinning/dp/B092CD252C/ref> (Year: 2021).\*

Fotheapex, announced Apr. 22, 2021 [online], [site visited Jan. 5, 2021]. Available on the internet, URL:<https://www.amazon.com/FOTHEAPEX-Weighted-Beginners-Increase-Detachable/dp/B09634X8ZB/ref> (Year: 2021).\*

\* cited by examiner



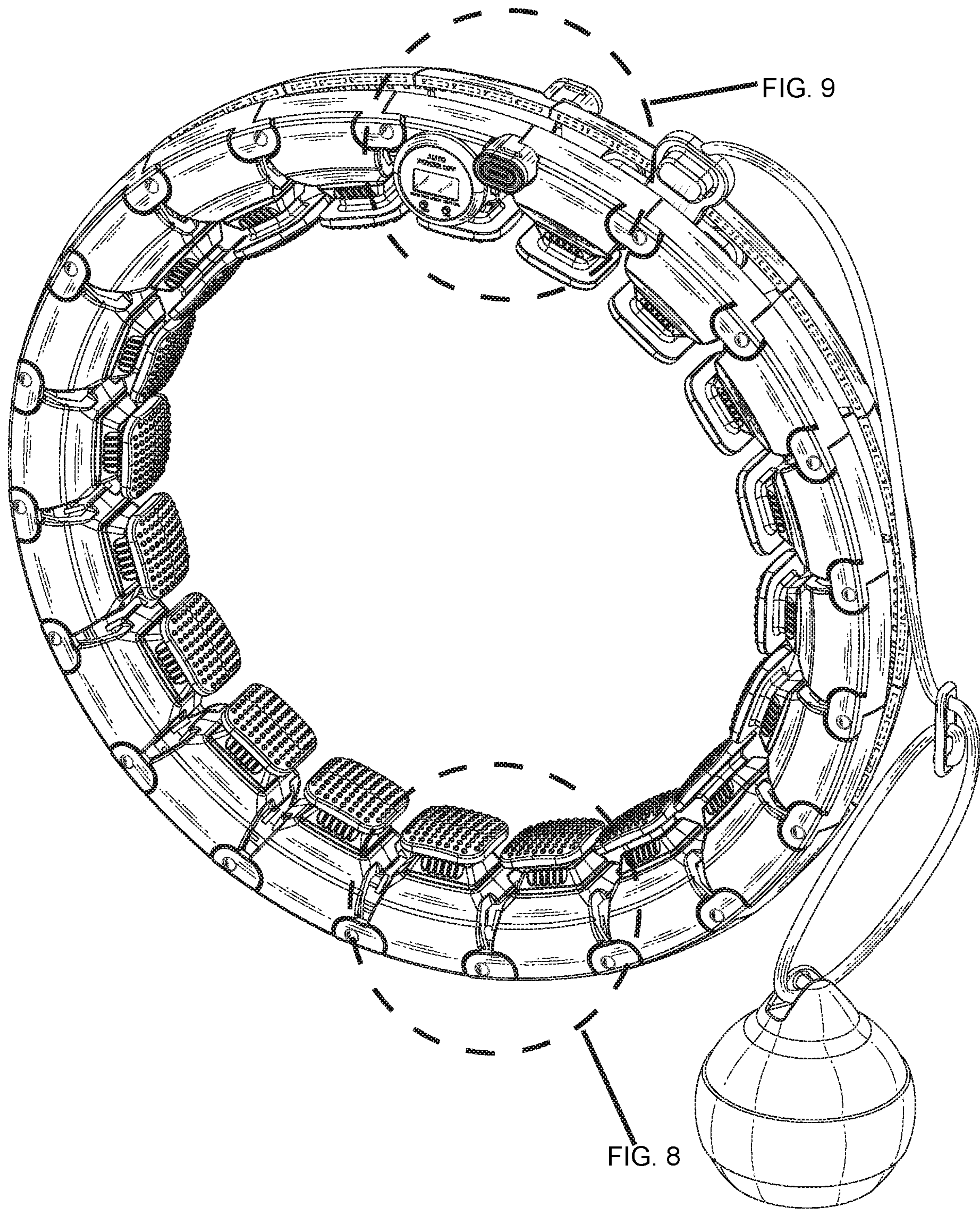


FIG.1



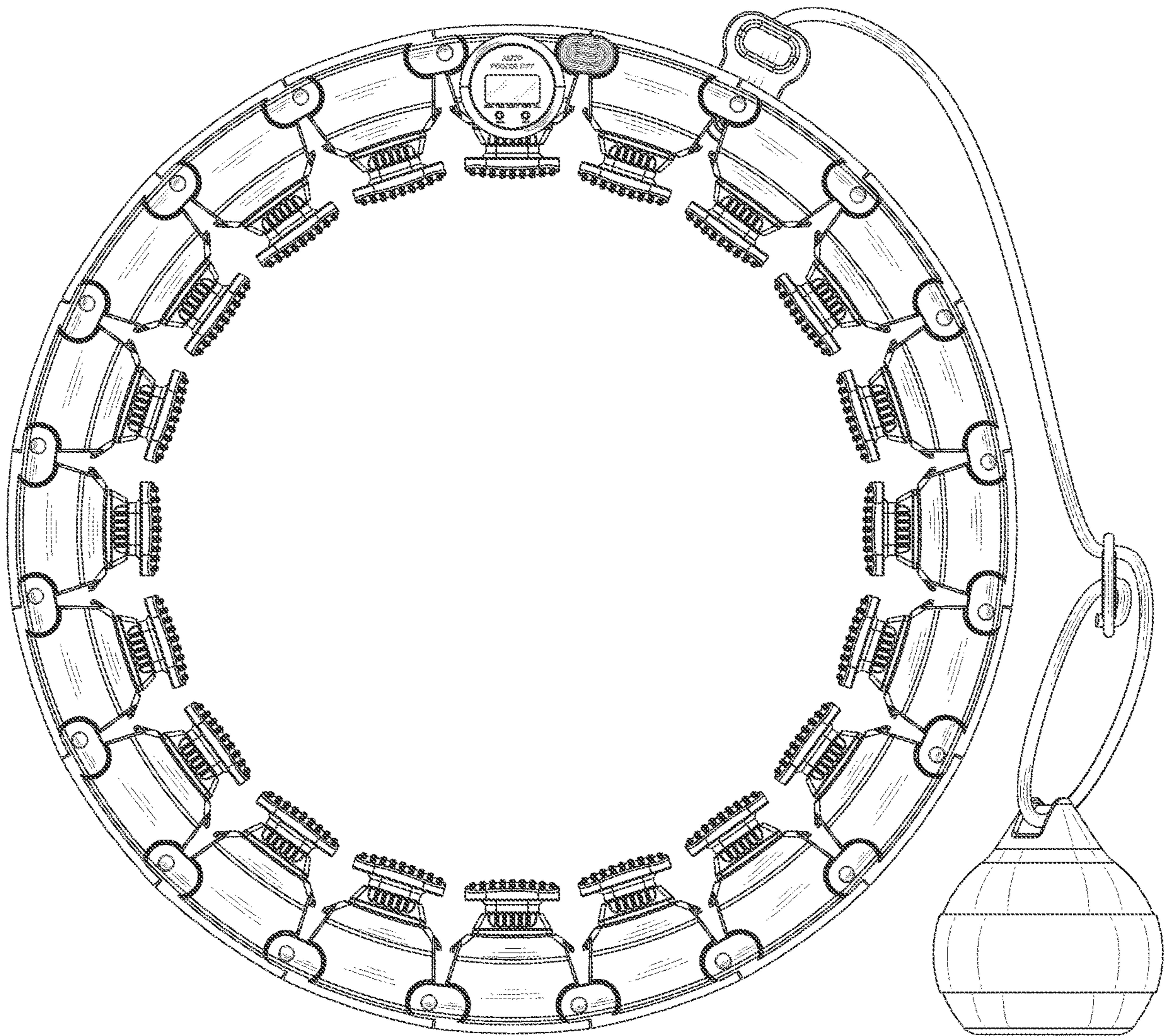


FIG.2



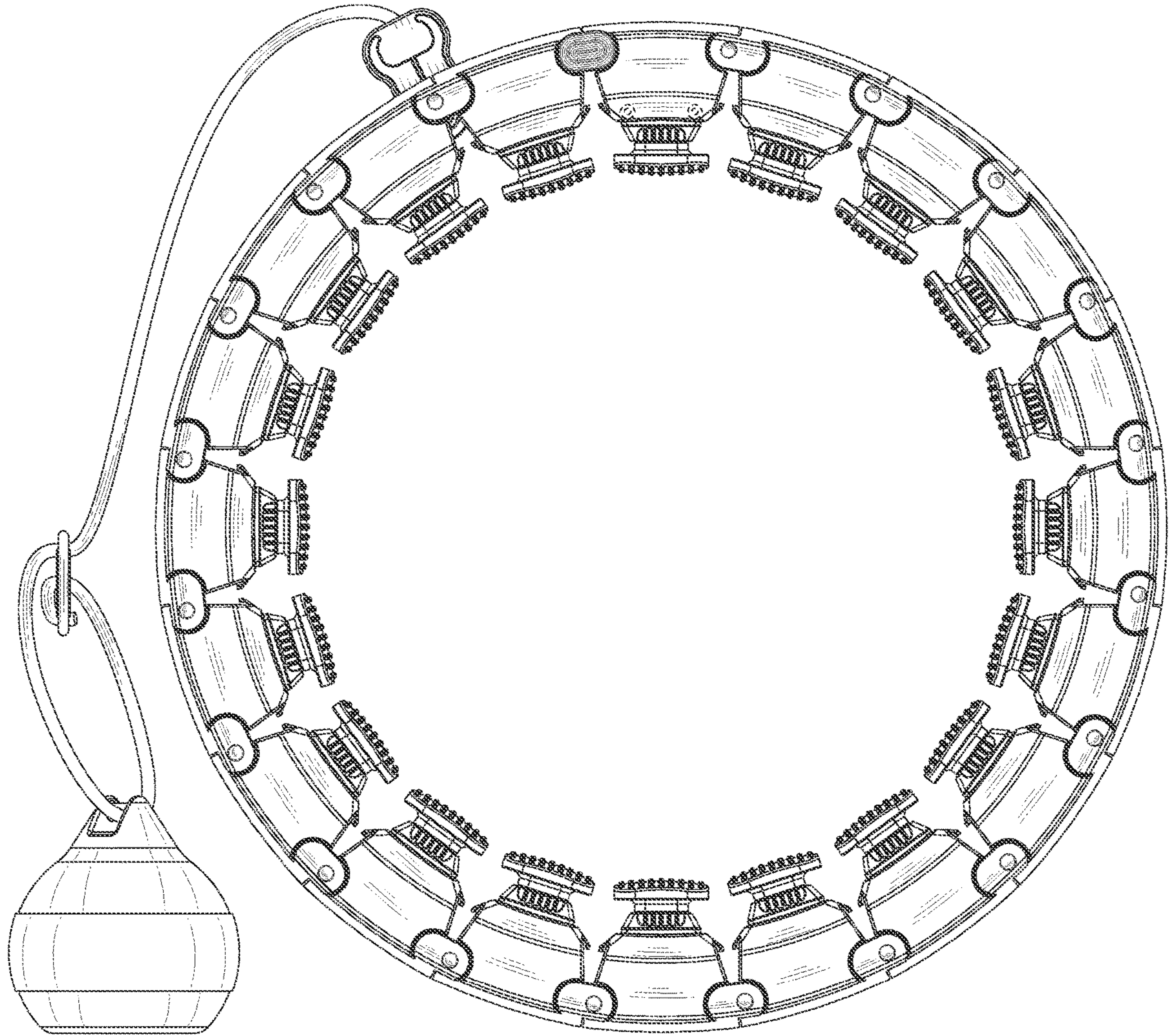


FIG.3

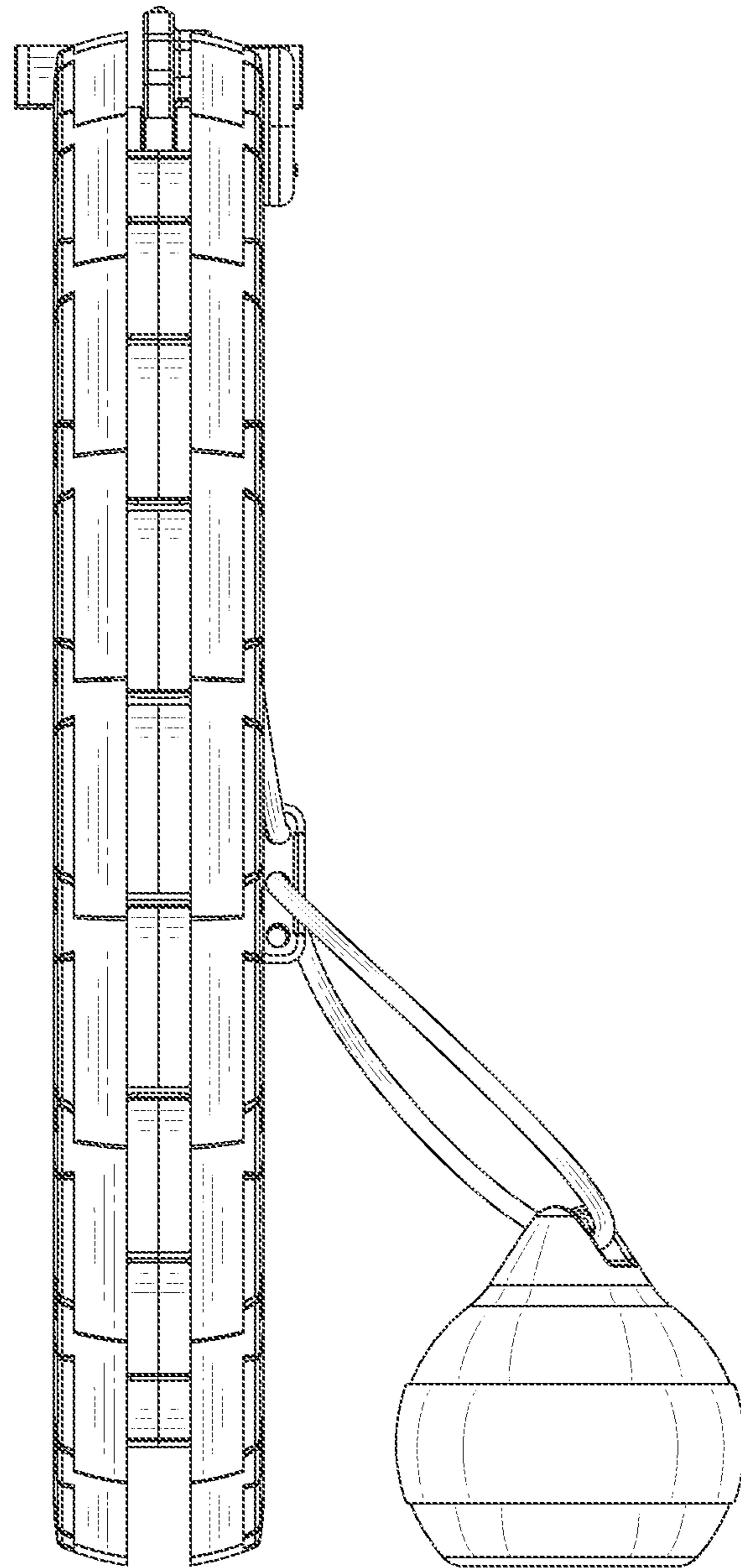


FIG.4

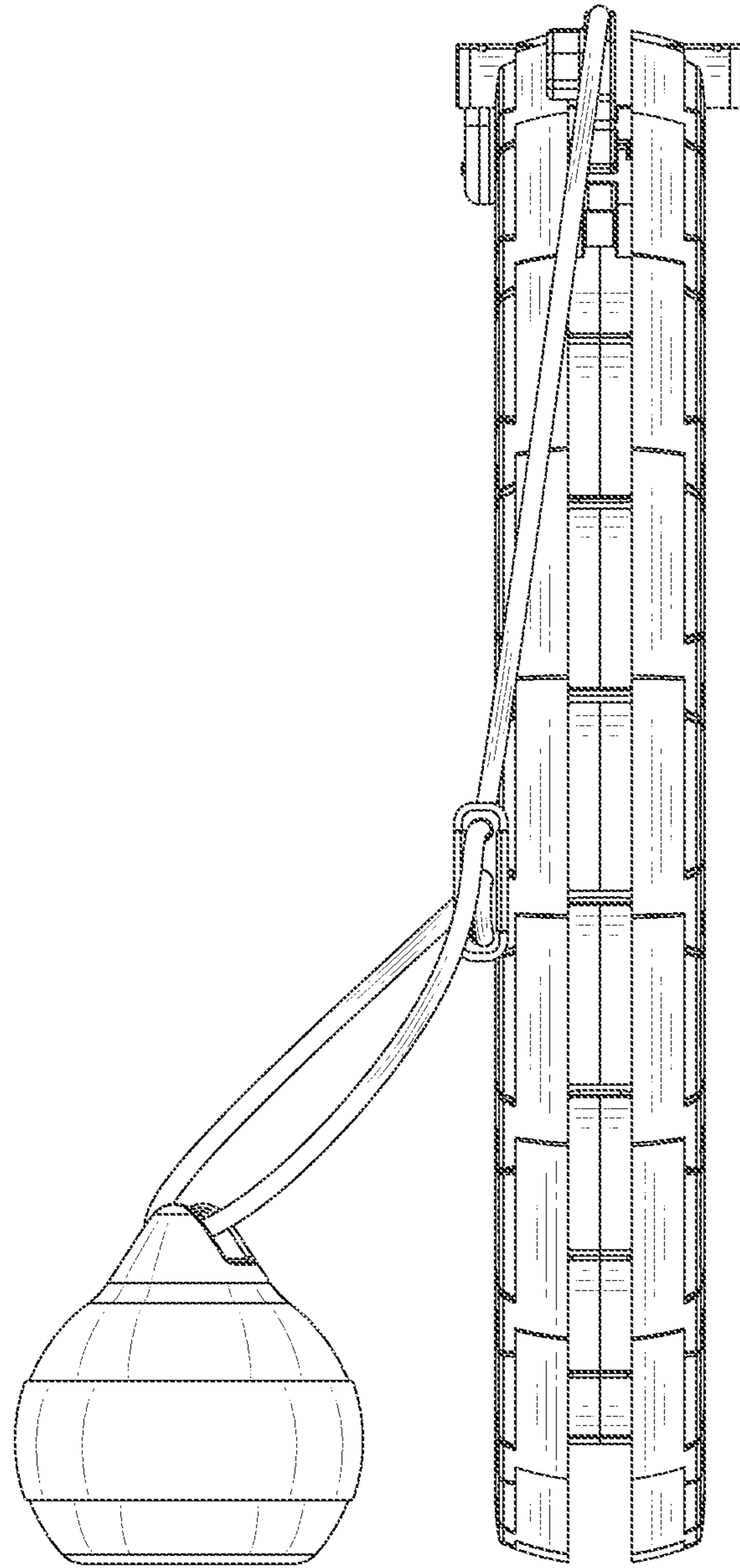


FIG.5



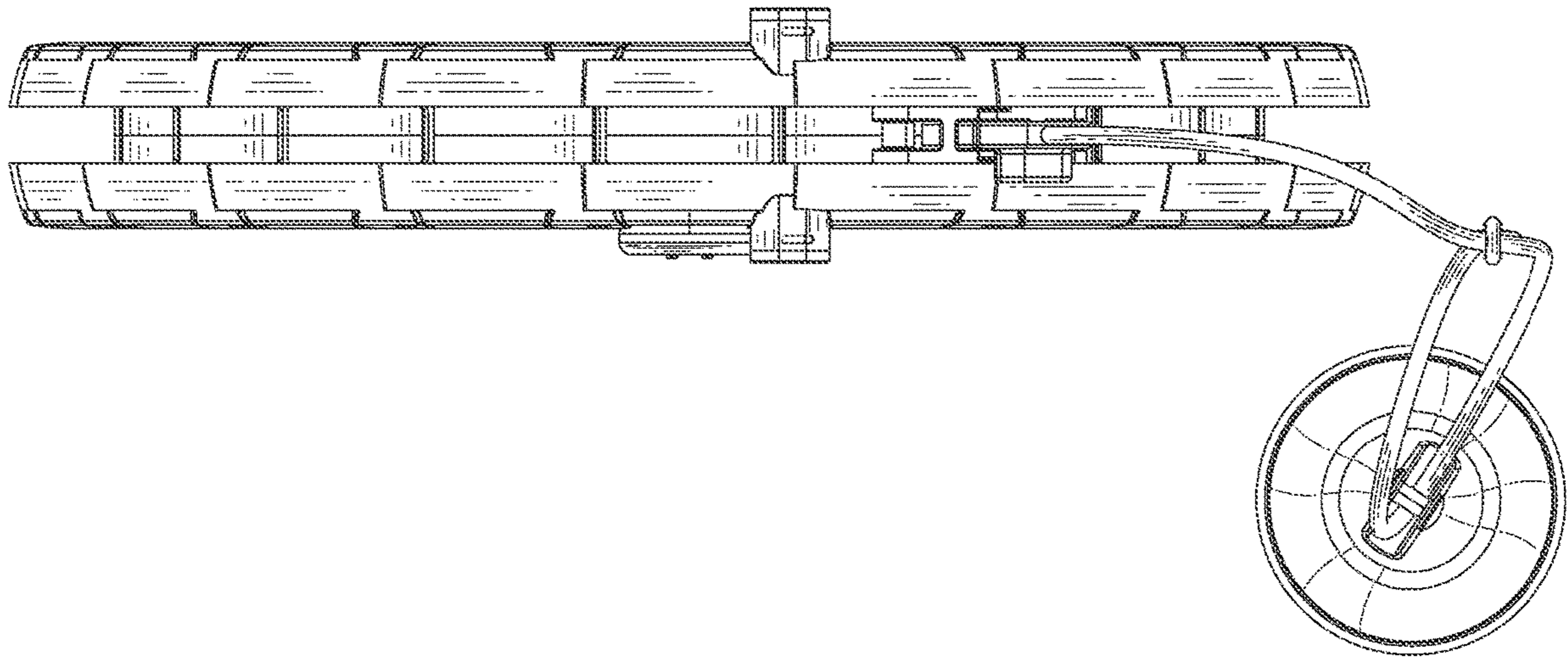


FIG.6



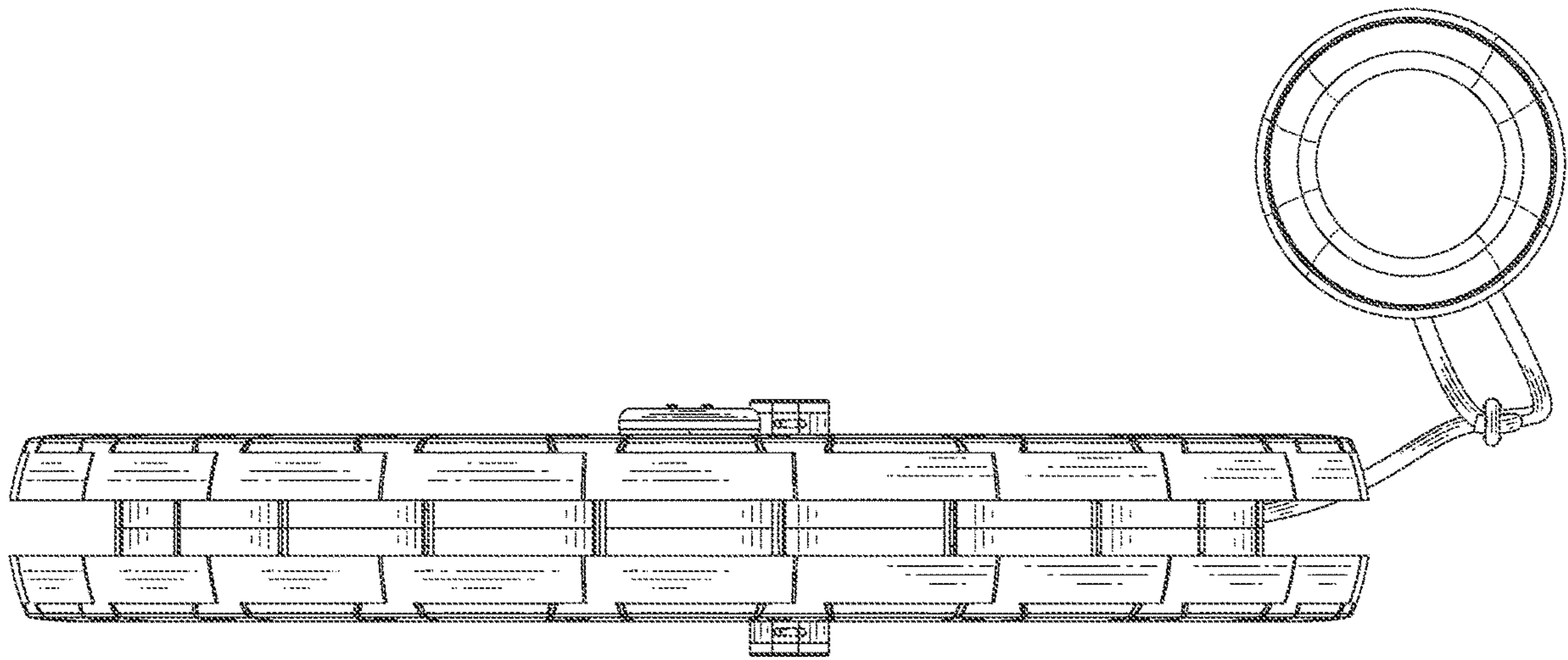


FIG.7

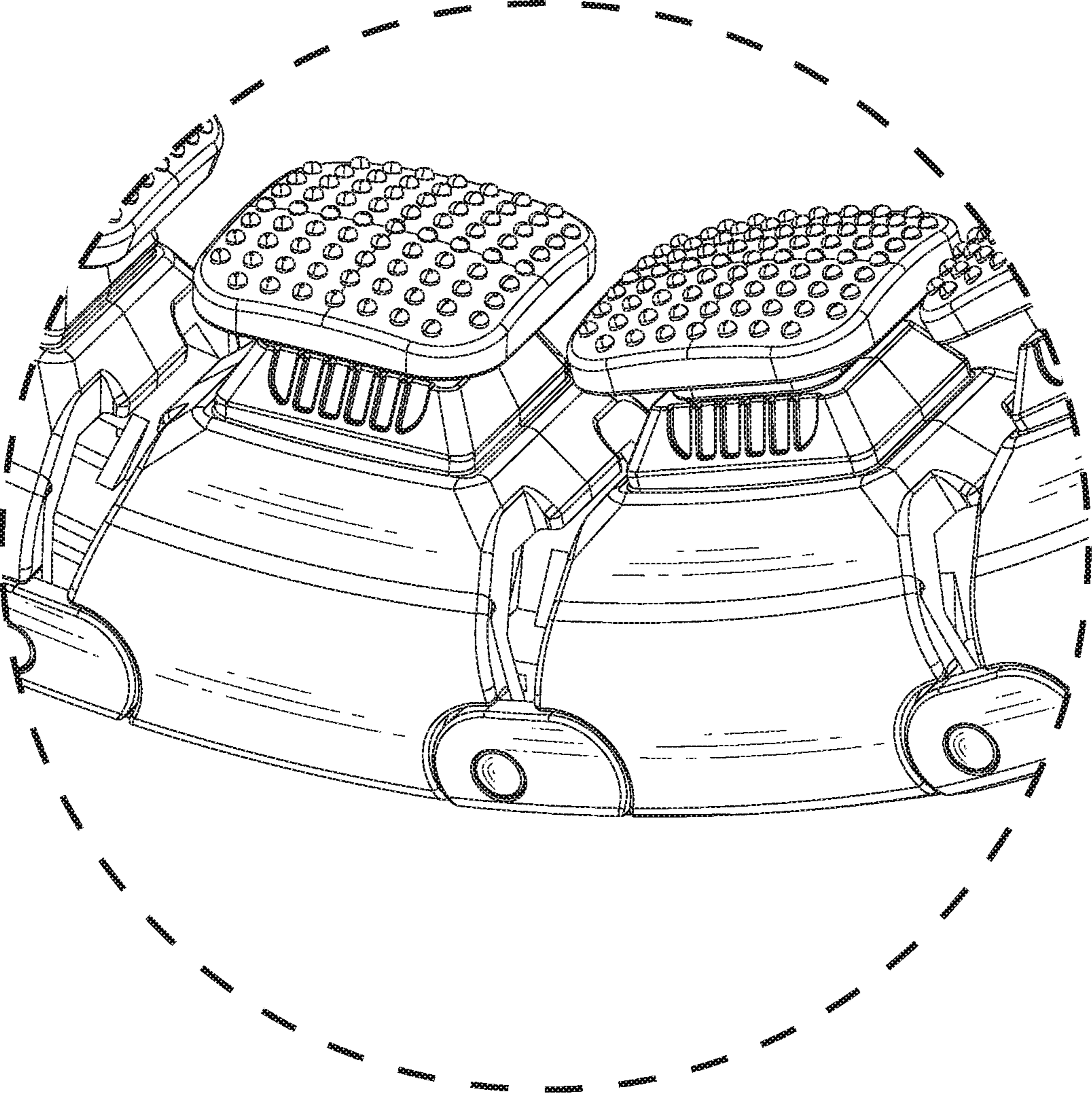


FIG.8



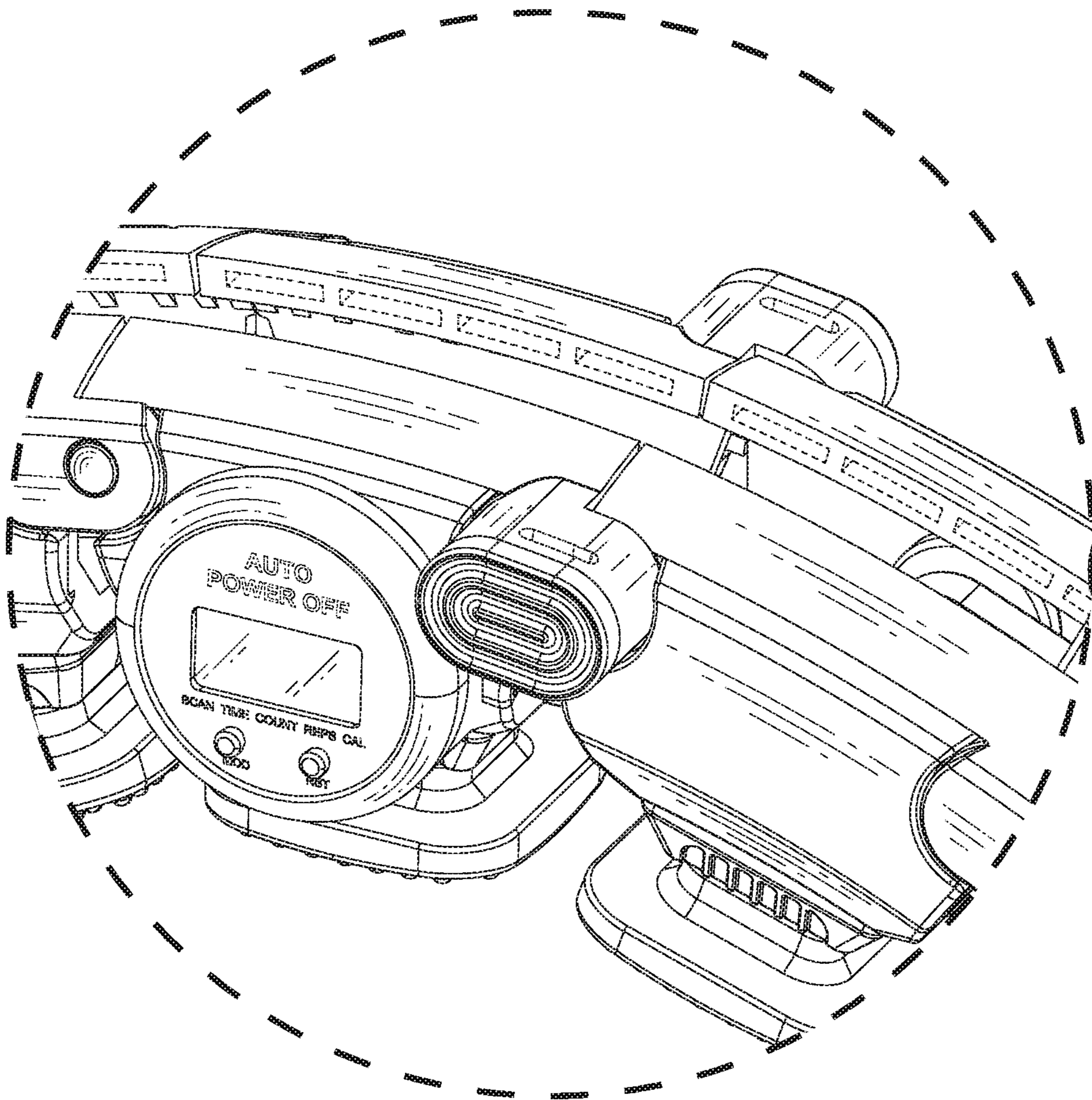


FIG.9