



US00D954856S

(12) **United States Design Patent**
Liu

(10) **Patent No.:** **US D954,856 S**
(45) **Date of Patent:** **** Jun. 14, 2022**

- (54) **REVERSIBLE FIDGET TOY**
- (71) Applicant: **Zaiquan Liu**, Sanming (CN)
- (72) Inventor: **Zaiquan Liu**, Sanming (CN)
- (**) Term: **15 Years**
- (21) Appl. No.: **29/774,800**
- (22) Filed: **Mar. 19, 2021**
- (51) **LOC (13) Cl.** **21-01**
- (52) **U.S. Cl.**
USPC **D21/601; D21/468**
- (58) **Field of Classification Search**
USPC D21/386, 390, 398, 407, 438, 441, 443,
D21/455, 468, 472, 473, 576, 585, 589,
D21/597, 599, 601, 627, 628, 707, 710,
D21/801, 808; D24/193–195; D30/160;
446/46, 153, 176, 177, 183, 184, 193,
446/197, 198, 199, 268, 308, 309,
446/337–339, 415, 486
CPC . A63H 3/04; A63H 3/26; A63H 3/365; A63H
11/06; A63H 23/00; A63H 23/10; A63H
23/12; A63H 33/00; A63H 33/18; A63H
37/005; A61J 17/00; A61J 17/001; A61J
17/02; A61J 17/107; A61J 17/109; A61J
17/111; A61J 17/1111
See application file for complete search history.

(56) **References Cited**

U.S. PATENT DOCUMENTS

- 2,153,957 A * 4/1939 Davis A63H 37/005
446/486
- 2,844,912 A * 7/1958 Sebesta A63H 23/10
446/155
- D258,902 S * 4/1981 Strickland D21/601
- 5,599,001 A * 2/1997 Dwyer A61M 5/1418
248/505
- D395,930 S * 7/1998 Leadbetter D21/601

- D410,971 S * 6/1999 Young D21/398
- D486,236 S * 2/2004 Nan D21/601
- D500,537 S * 1/2005 Fong D21/585
- 7,803,033 B1 * 9/2010 Walterscheid A63H 37/005
446/486
- 7,927,177 B1 * 4/2011 Walterscheid A63H 11/06
446/486
- D687,954 S * 8/2013 Dallman D24/194
- D738,515 S * 9/2015 Huang D24/195
- D741,501 S * 10/2015 Reed D24/195
- D764,673 S * 8/2016 Guan D24/195
- D768,245 S * 10/2016 Matthews D21/601
- D839,361 S 1/2019 Lederer
- D860,337 S * 9/2019 Badie D21/577
- D863,452 S * 10/2019 Phillips D21/398

(Continued)

FOREIGN PATENT DOCUMENTS

- CN 301247462 * 6/2010
- CN 302031297 * 8/2012

(Continued)

Primary Examiner — Catherine A Tuttle

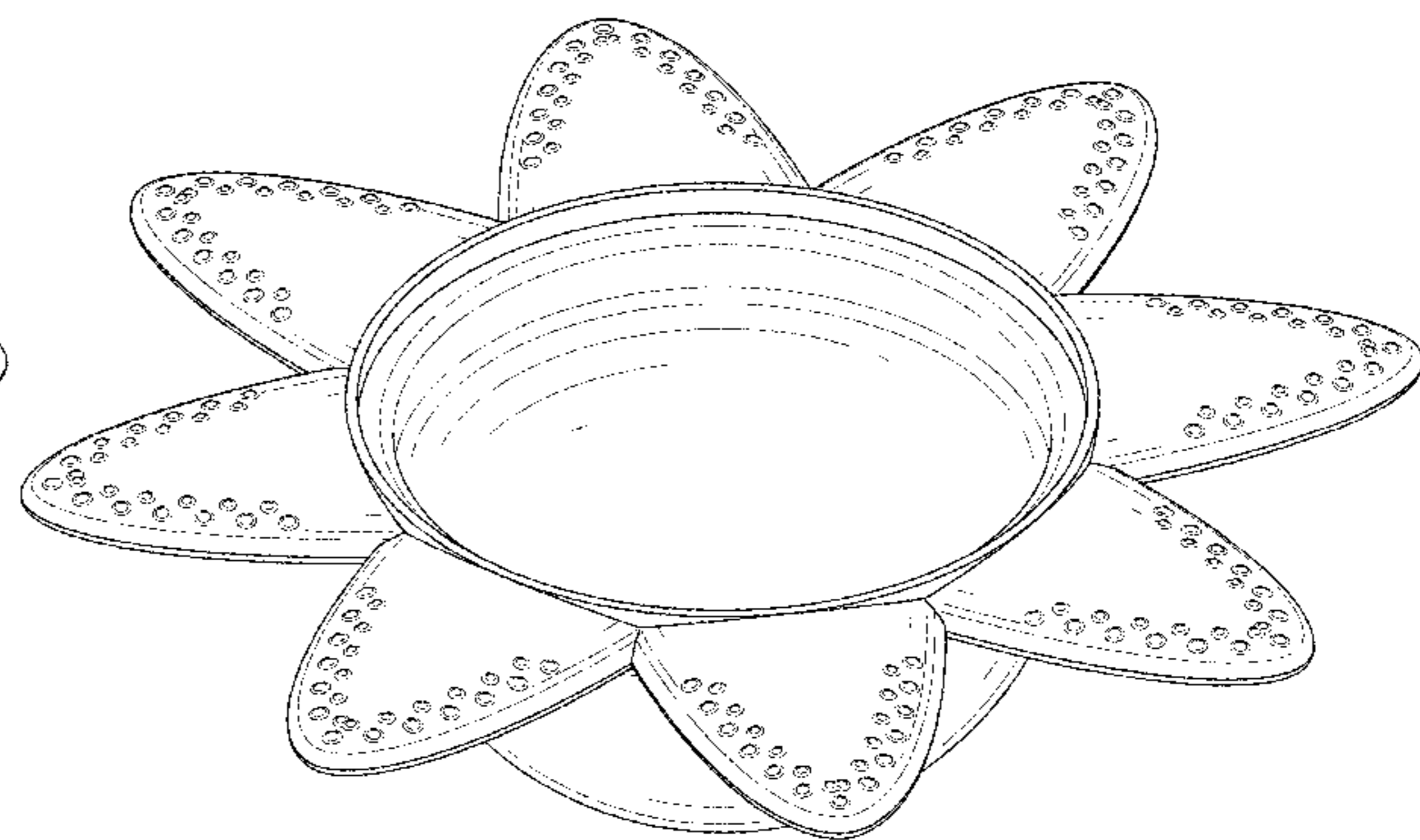
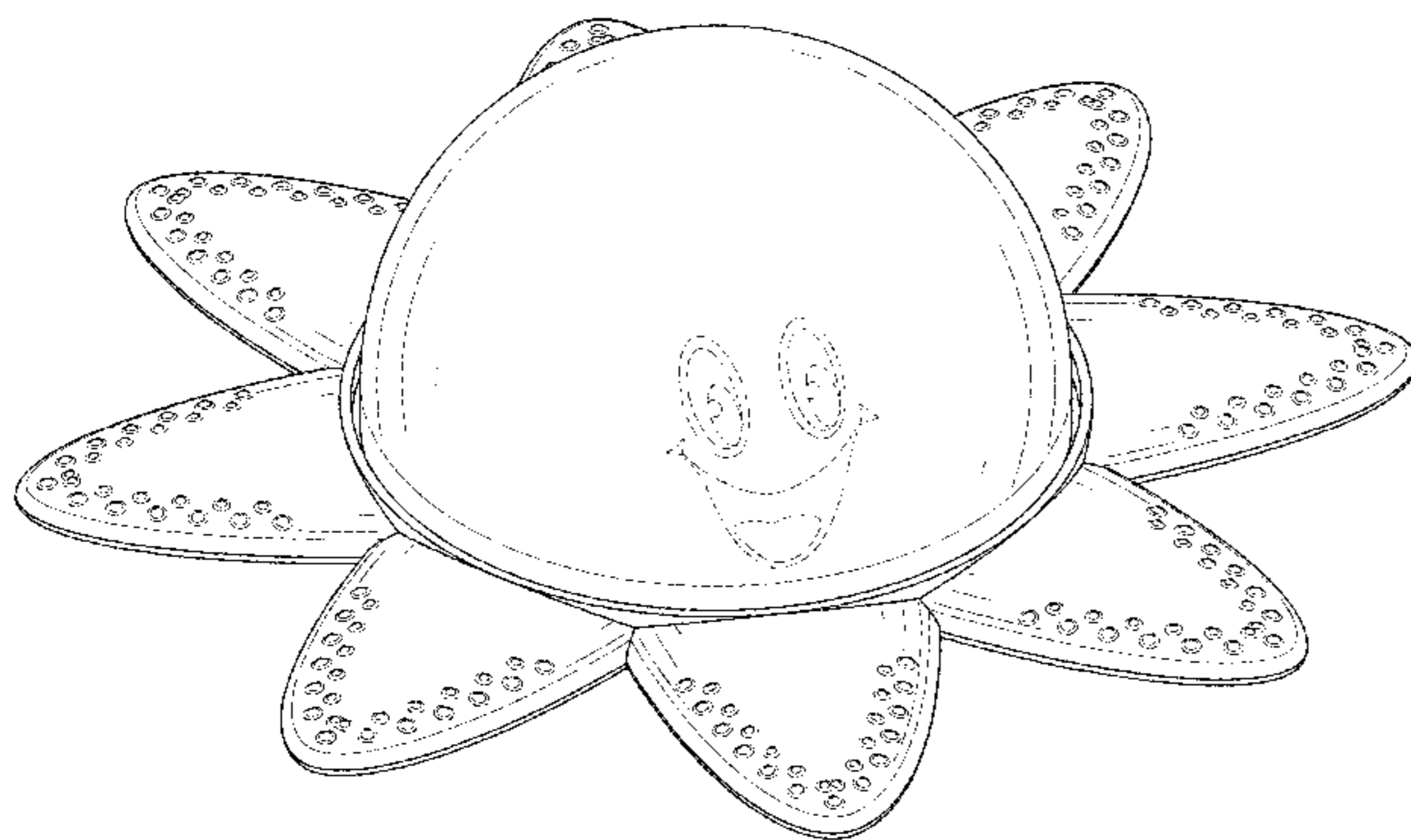
(57) **CLAIM**

The ornamental design for a reversible fidget toy, as shown and described.

DESCRIPTION

FIG. 1 is a front and top perspective view of a reversible fidget toy, showing my new design;
 FIG. 2 is a rear and bottom perspective view thereof;
 FIG. 3 is a front elevation view thereof;
 FIG. 4 is a rear elevation view thereof;
 FIG. 5 is a left side elevation view thereof;
 FIG. 6 is a right side elevation view thereof;
 FIG. 7 is a top plan view thereof; and,
 FIG. 8 is a bottom plan view thereof.
 The broken lines in the figures illustrate portions of the reversible fidget toy that form no part of the claimed design.

1 Claim, 8 Drawing Sheets



(56)

References Cited

U.S. PATENT DOCUMENTS

D885,595	S	*	5/2020	Luntz	D24/195
D921,125	S	*	6/2021	Carson	D21/468
D926,075	S	*	7/2021	Deng	D11/141
D928,889	S	*	8/2021	Hochstrasser	D21/468
2005/0085155	A1	*	4/2005	Diffley	F41B 9/004 446/153
2006/0084355	A1	*	4/2006	Wong	A63H 33/00 446/71
2016/0030853	A1	*	2/2016	Bartels	A63H 33/18 446/92
2019/0275437	A1	*	9/2019	Badie	A63H 3/365

FOREIGN PATENT DOCUMENTS

CN	302309723		*	1/2013	
CN	302974655		*	10/2014	
CN	304963216		*	12/2018	
CN	305204118		*	6/2019	
CN	305453942		*	11/2019	
CN	305569386		*	1/2020	
CN	306360155		*	3/2021	
FR	2741546	A1	*	5/1997 A63H 37/005
GB	6123378		*	3/2021	
WO	WO-0126766	A1	*	4/2001 A63H 37/005

* cited by examiner

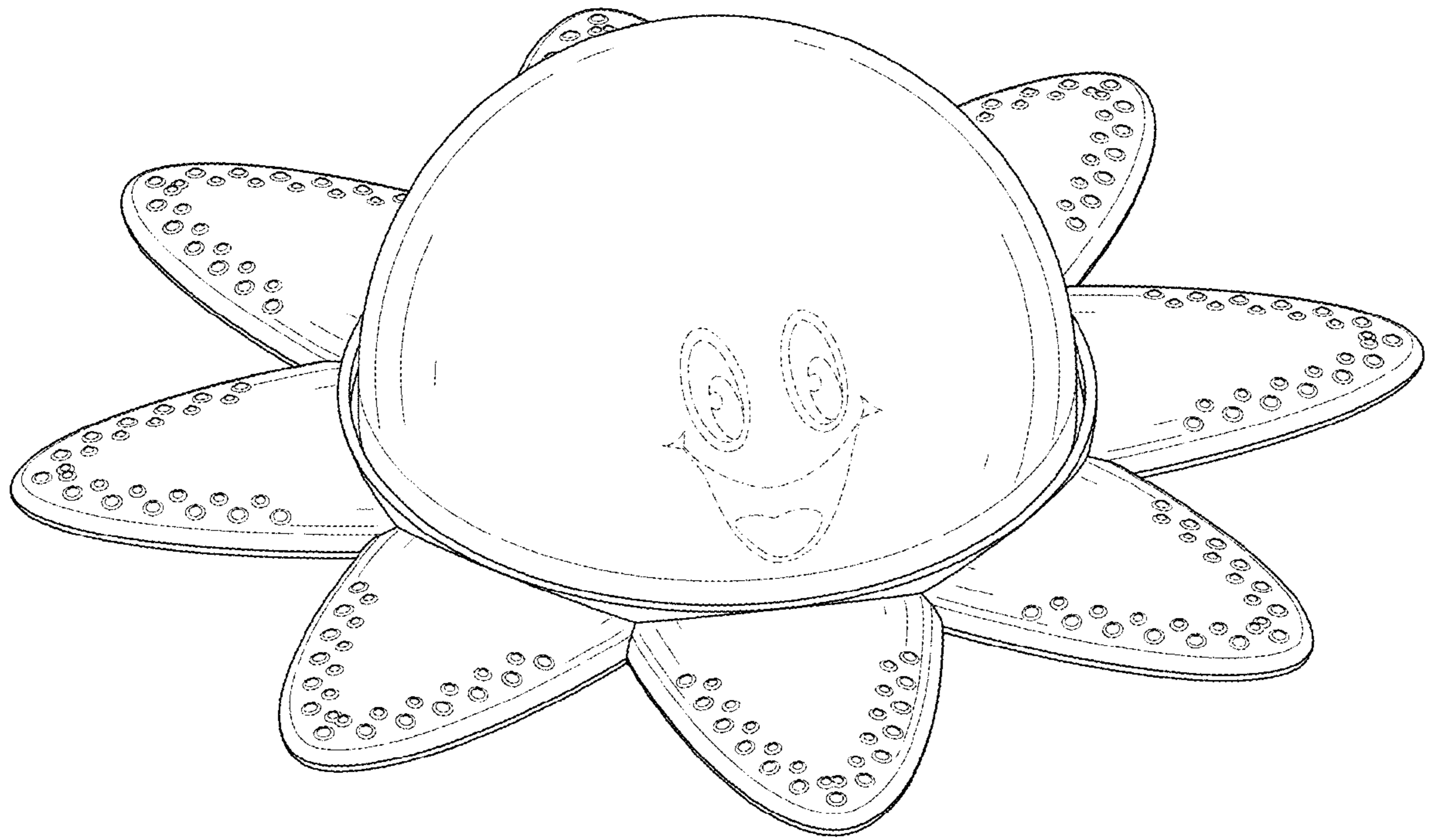


FIG. 1

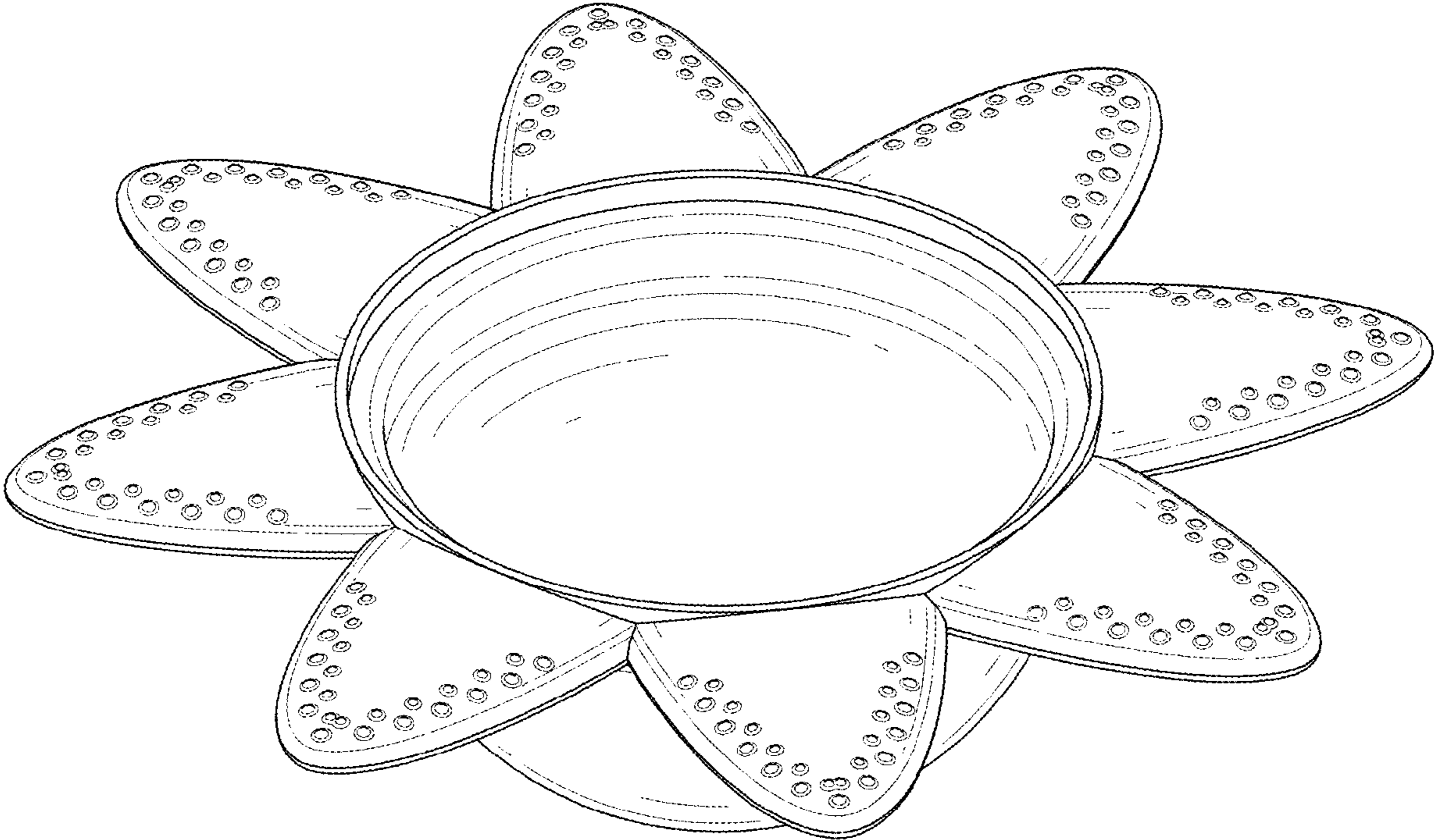


FIG. 2

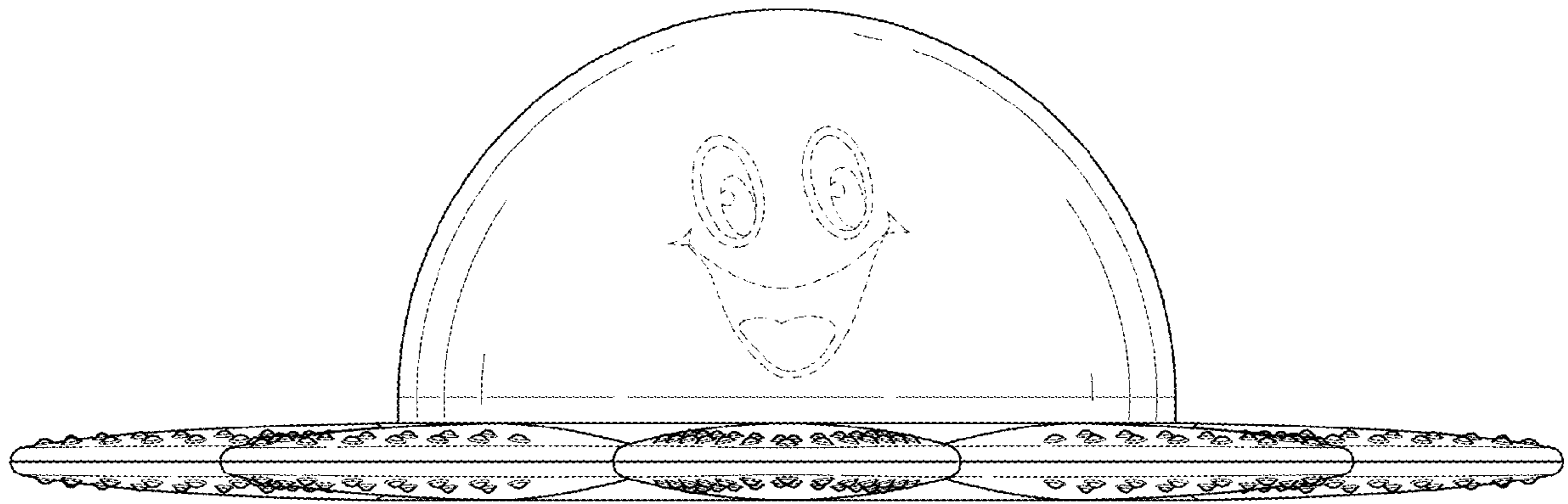


FIG. 3

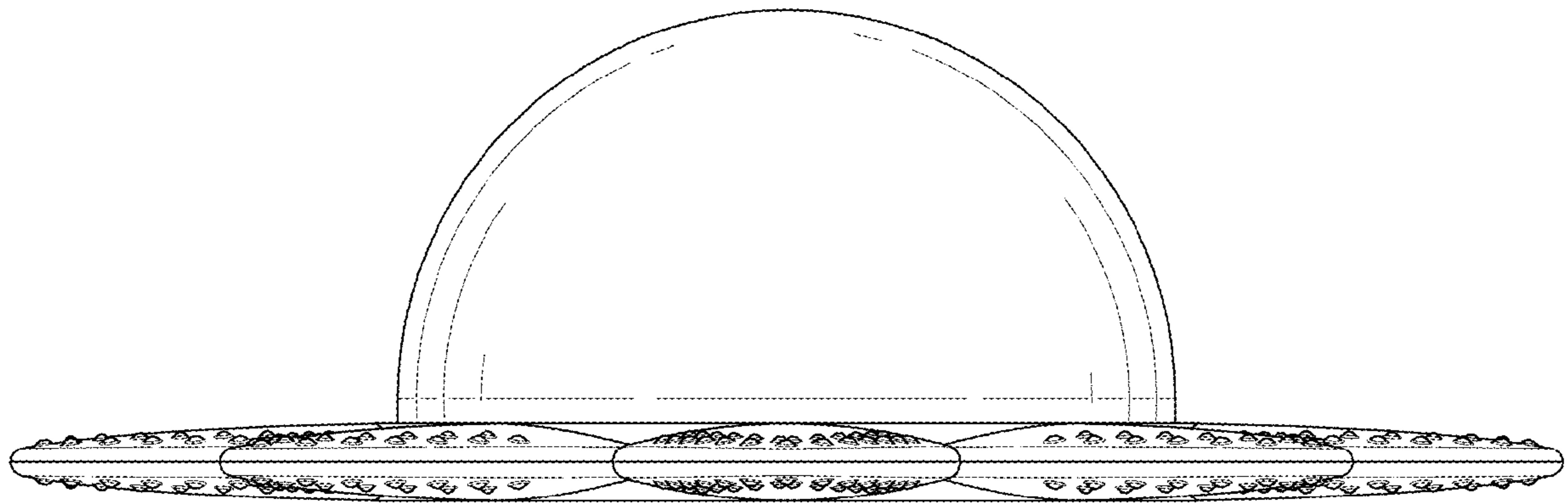


FIG. 4

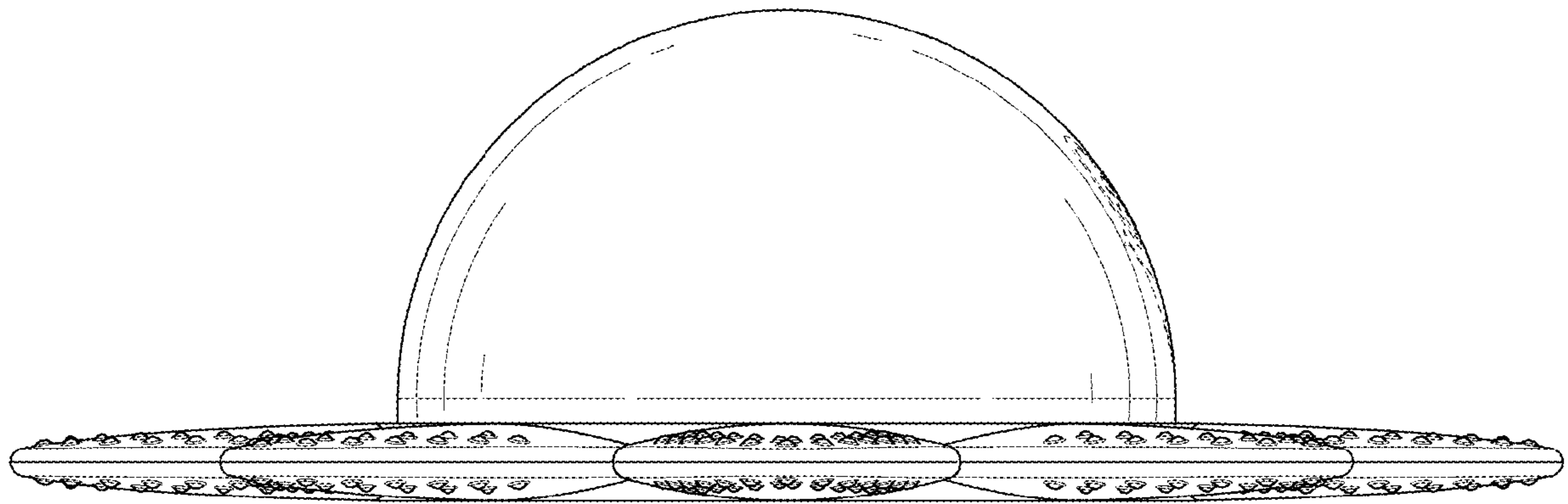


FIG. 5

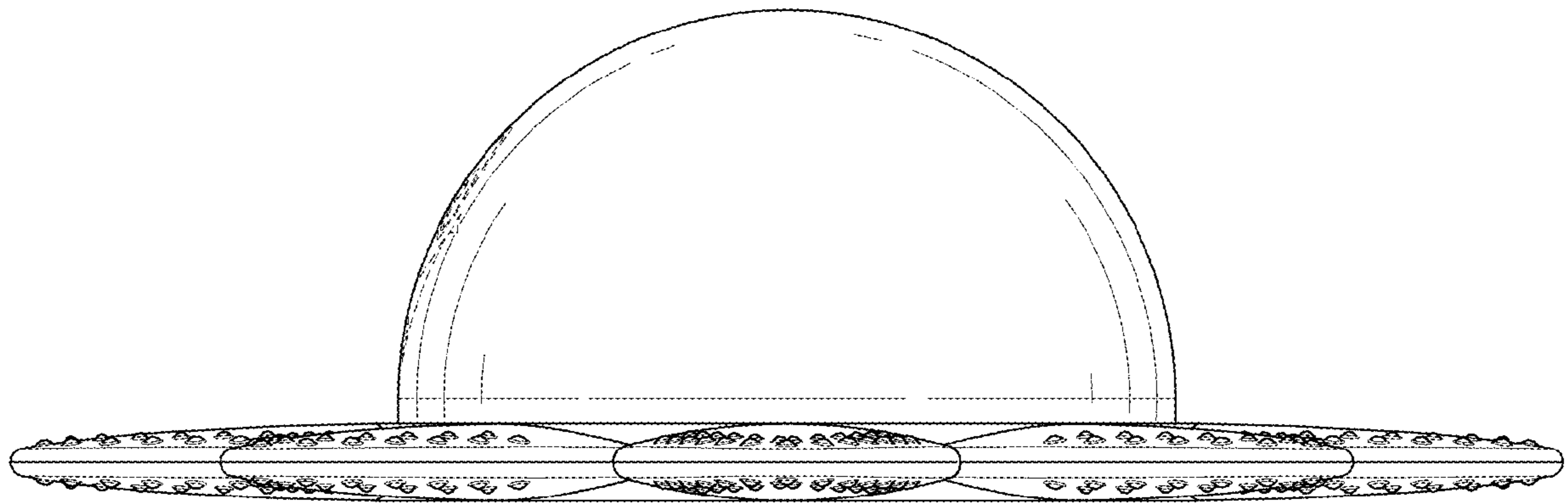


FIG. 6

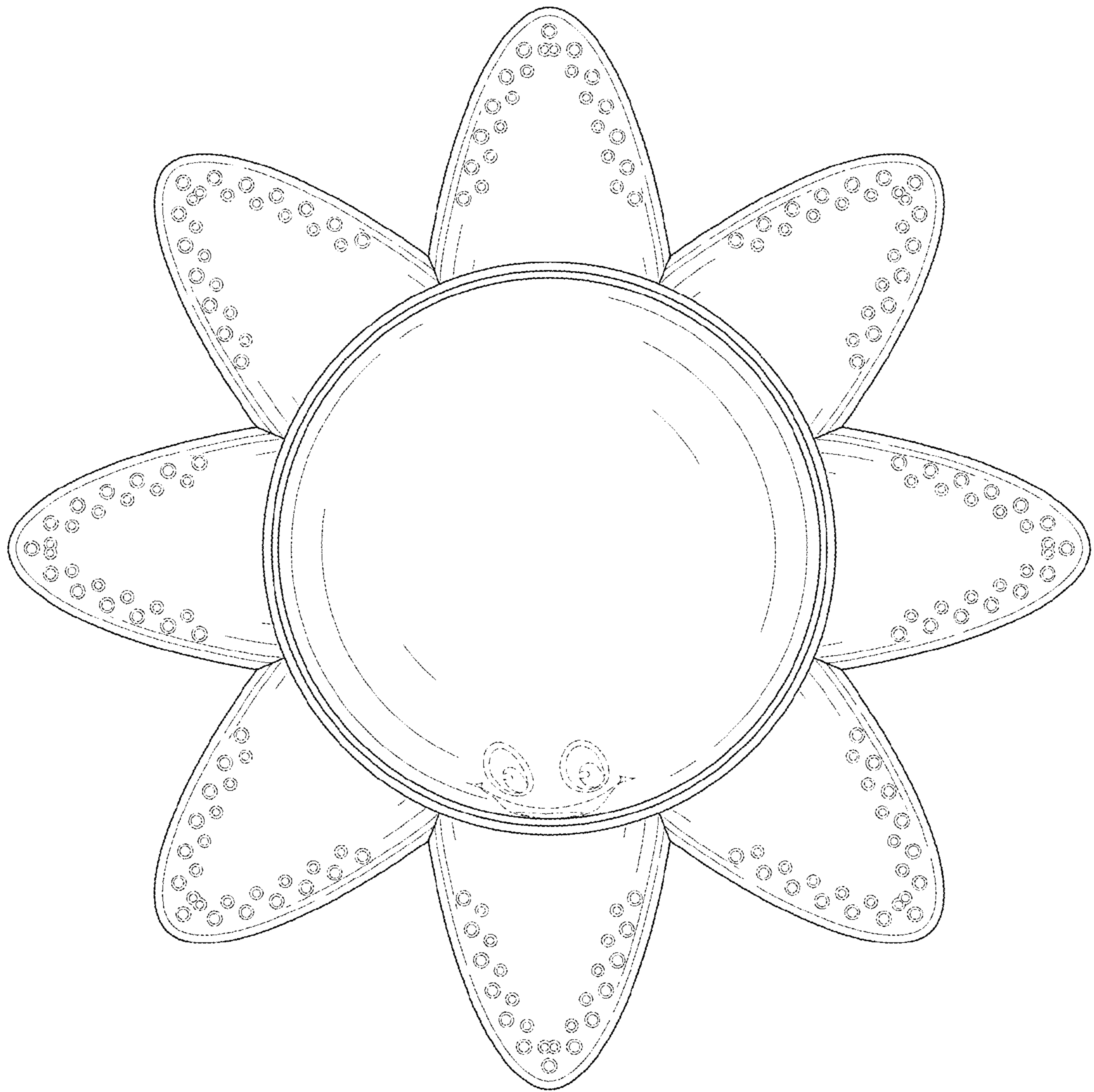


FIG. 7

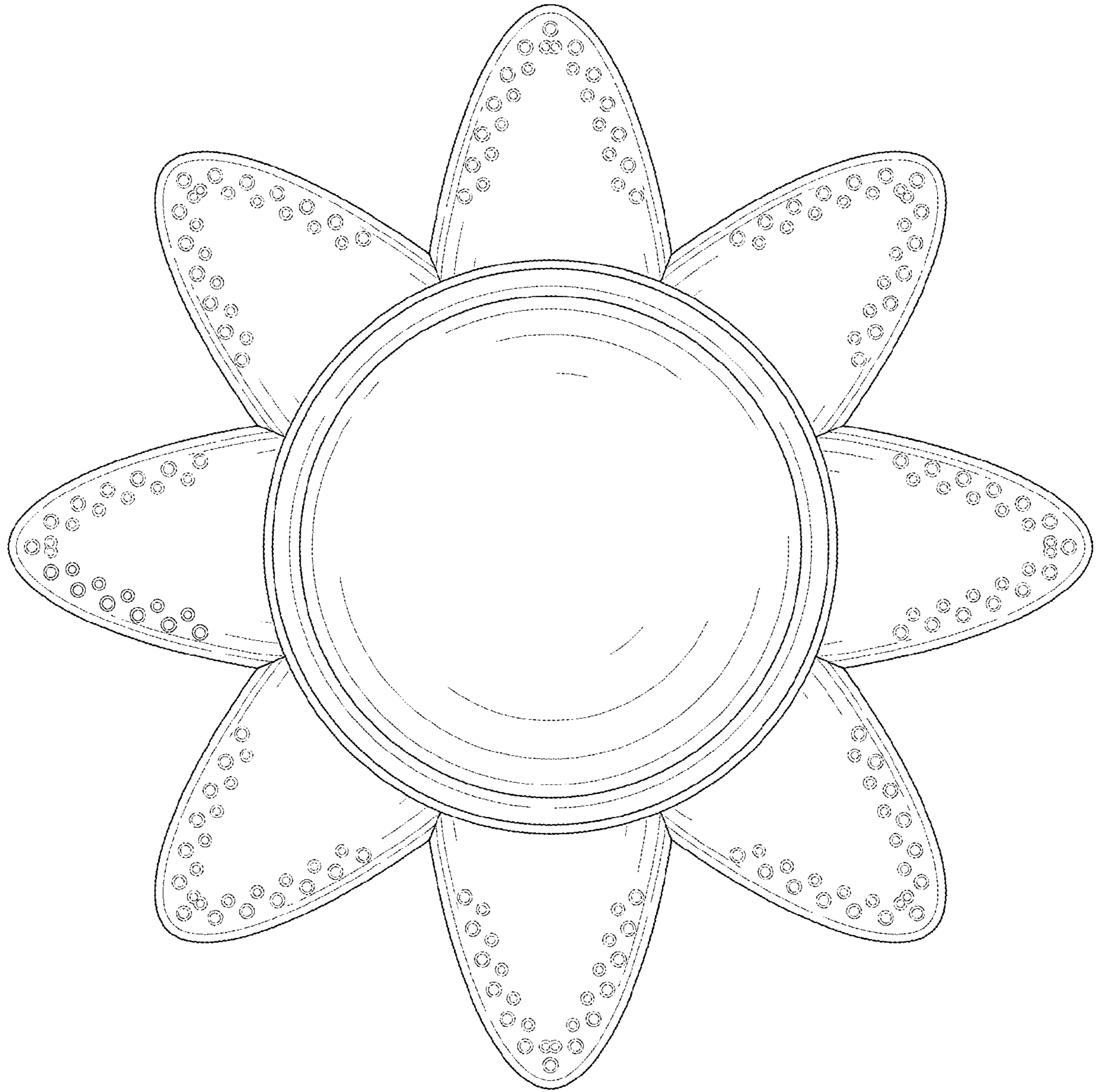


FIG. 8