



US00D954855S

(12) **United States Design Patent**  
**Shen**

(10) **Patent No.:** **US D954,855 S**

(45) **Date of Patent:** **\*\* Jun. 14, 2022**

- (54) **REMOTE CONTROL CAR**
- (71) Applicant: **Shantou Chenghai Zhongyi Toys Industrial Co., Ltd., Guangdong (CN)**
- (72) Inventor: **Hongsheng Shen, Guangdong (CN)**
- (73) Assignee: **Shantou Chenghai Zhongyi Toys Industrial Co., Ltd., Guangdong (CN)**

2004/0092206 A1\* 5/2004 Lynders ..... A63H 30/04  
446/427  
2011/0021112 A1\* 1/2011 Suzuki ..... A63H 17/262  
446/465  
2014/0221111 A1\* 8/2014 Picolet ..... A63H 18/00  
472/89

\* cited by examiner

(\*\*) Term: **15 Years**

*Primary Examiner* — Cynthia M. Chin  
(74) *Attorney, Agent, or Firm* — ScienBiziP, P.C.

(21) Appl. No.: **29/785,337**

(57) **CLAIM**

The ornamental design for a remote control car, as shown and described.

(22) Filed: **May 25, 2021**

**DESCRIPTION**

(51) **LOC (13) Cl.** ..... **21-01**

(52) **U.S. Cl.**  
USPC ..... **D21/548**

(58) **Field of Classification Search**  
USPC ..... D21/533, 548, 549, 550, 561, 562, 580,  
D21/581  
CPC ..... A63H 30/00; A63H 30/04  
See application file for complete search history.

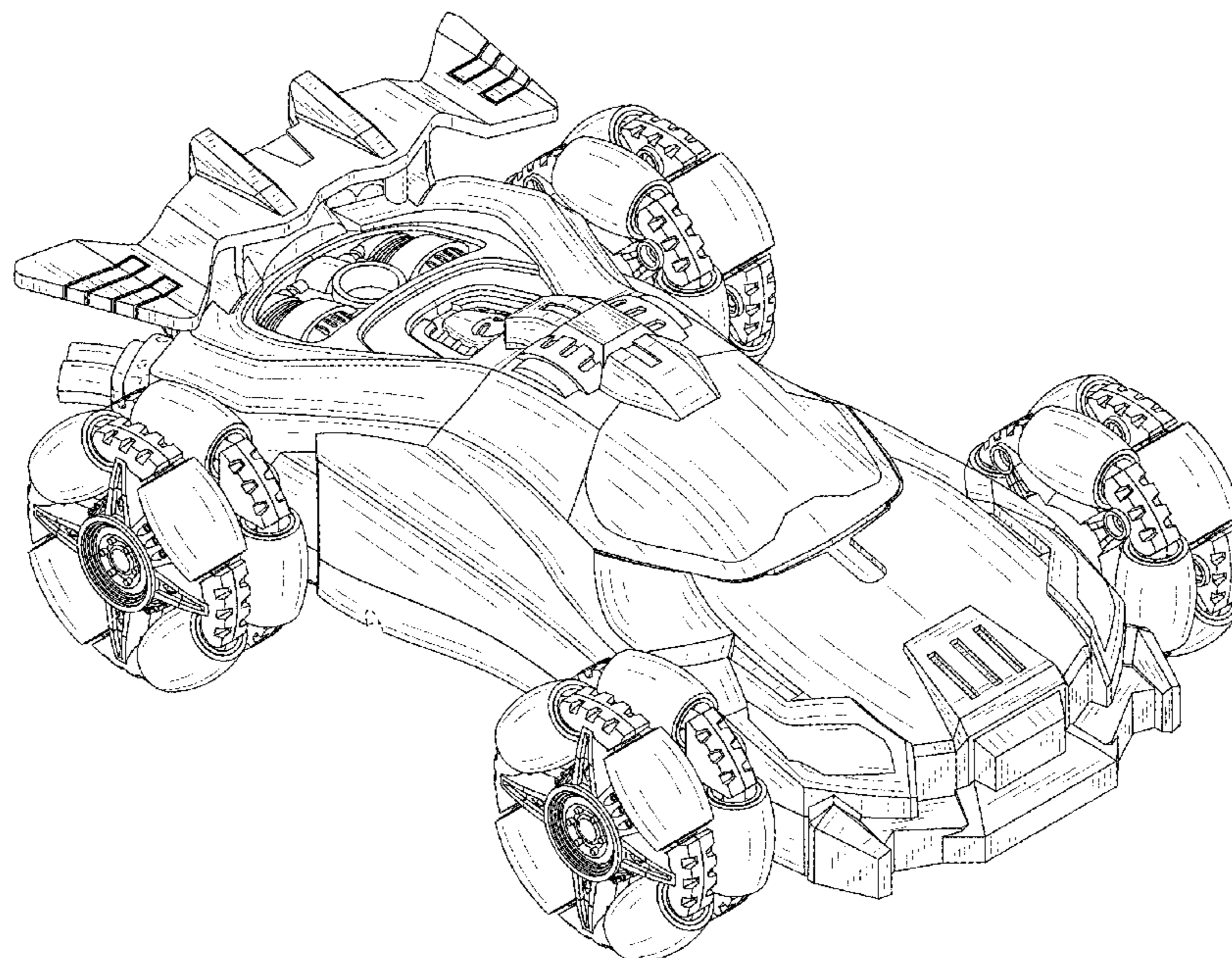
FIG. 1 is a front, left, and top perspective view of a remote control car, showing my design.  
FIG. 2 is a rear, right, and bottom perspective view thereof.  
FIG. 3 is a front elevation view thereof.  
FIG. 4 is a rear elevation view thereof.  
FIG. 5 is a left side elevation view thereof.  
FIG. 6 is a right side elevation view thereof.  
FIG. 7 is a top plan view thereof.  
FIG. 8 is a bottom plan view thereof.  
FIG. 9 is a partial enlarged view of FIG. 1 comprising a wheel of the remote control car.  
FIG. 10 is a partial enlarged view of FIG. 1 comprising a part of the top cover of the remote control car.  
FIG. 11 is a partial enlarged view of FIG. 1 comprising another part of the top cover of the remote control car; and, FIG. 12 is a partial enlarged view of FIG. 2 comprising a nozzle of the remote control car.  
The dash-dot broken lines represent the boundaries of the enlarged partial views of FIGS. 9-12. All other broken lines represent portions of the remote control car that form no part of the claimed design. None of the broken lines form a part of the claim.

(56) **References Cited**

**U.S. PATENT DOCUMENTS**

- D362,280 S \* 9/1995 George ..... D21/550
- 5,727,985 A \* 3/1998 George ..... A63H 17/004  
446/470
- 6,095,890 A \* 8/2000 George ..... A63H 17/004  
446/470
- 7,234,992 B2 \* 6/2007 Weiss ..... A63H 17/28  
446/454
- D825,684 S 8/2018 Gan
- D871,512 S 12/2019 Cai
- D938,528 S \* 12/2021 Lin ..... D21/548
- D939,637 S \* 12/2021 Wang ..... D21/533
- D941,400 S \* 1/2022 Xu ..... D21/533

**1 Claim, 12 Drawing Sheets**



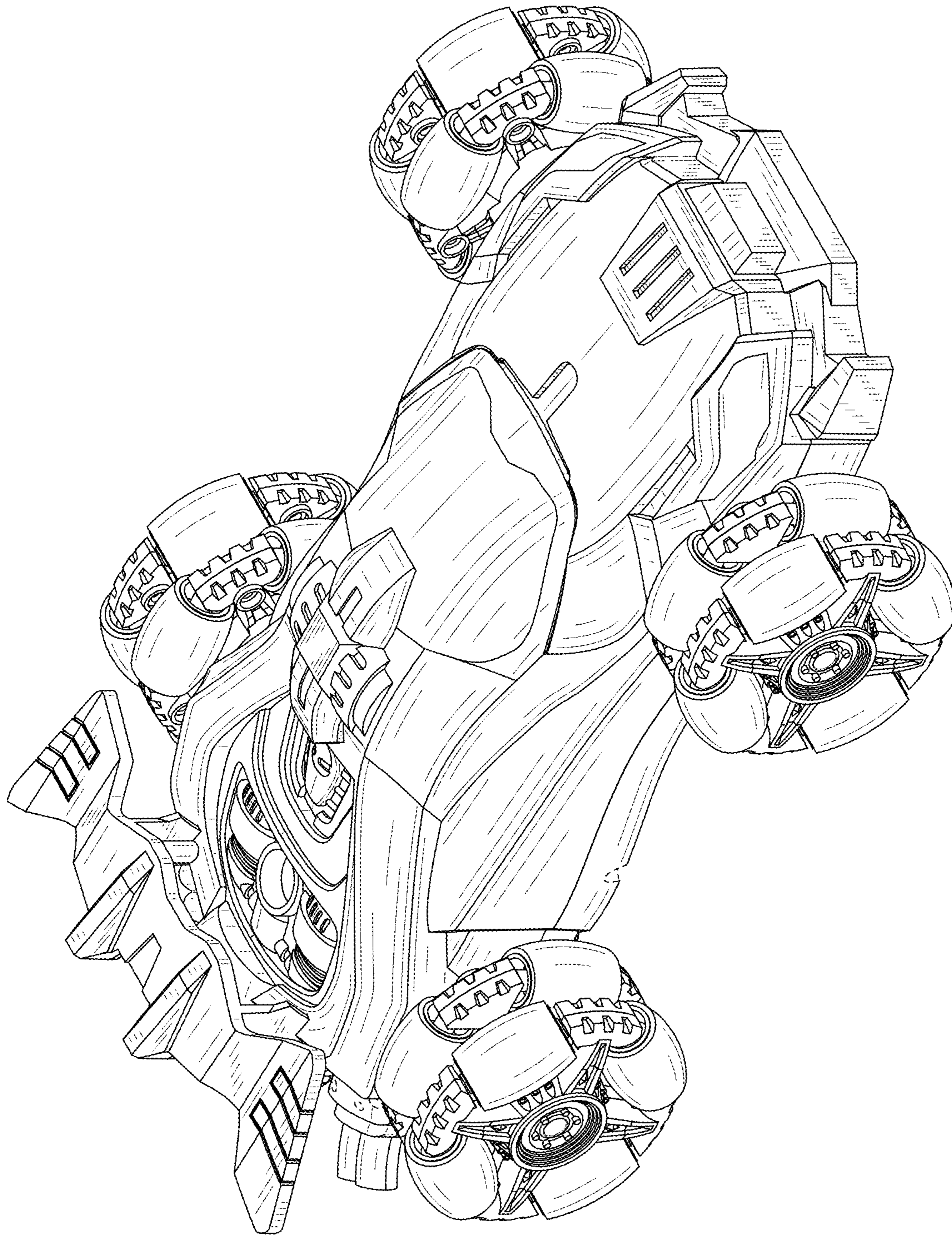


FIG. 1

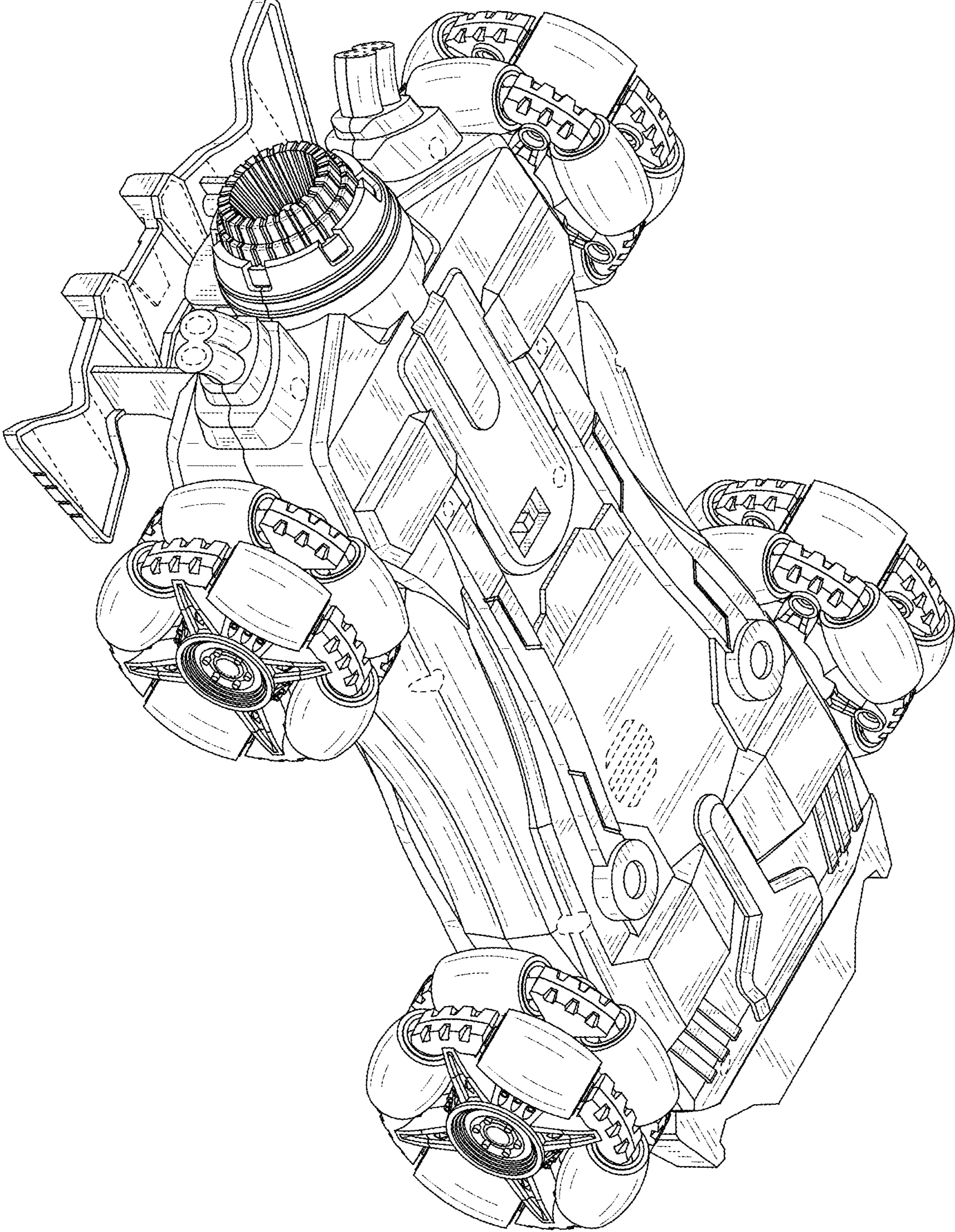


FIG. 2

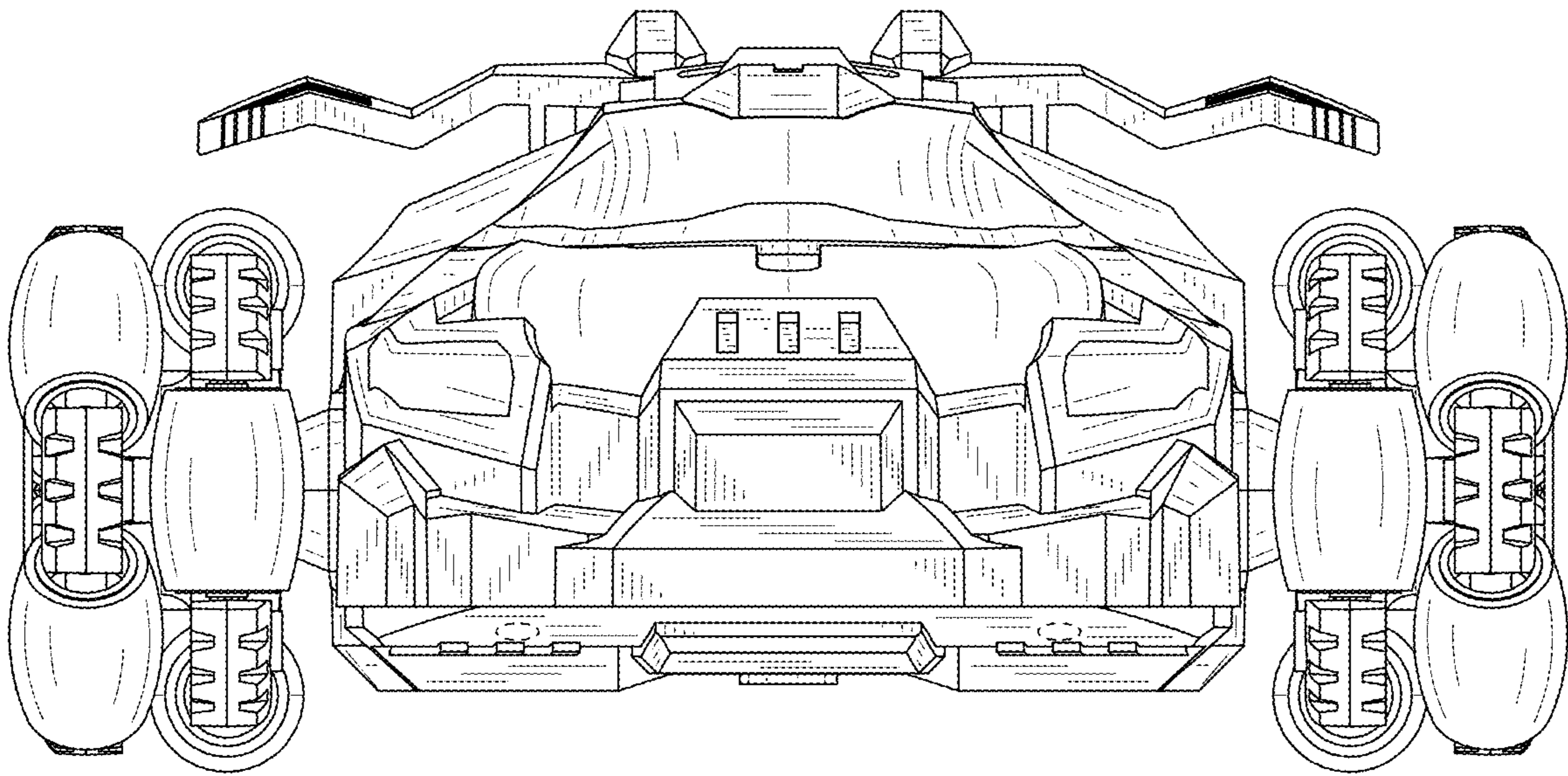


FIG. 3

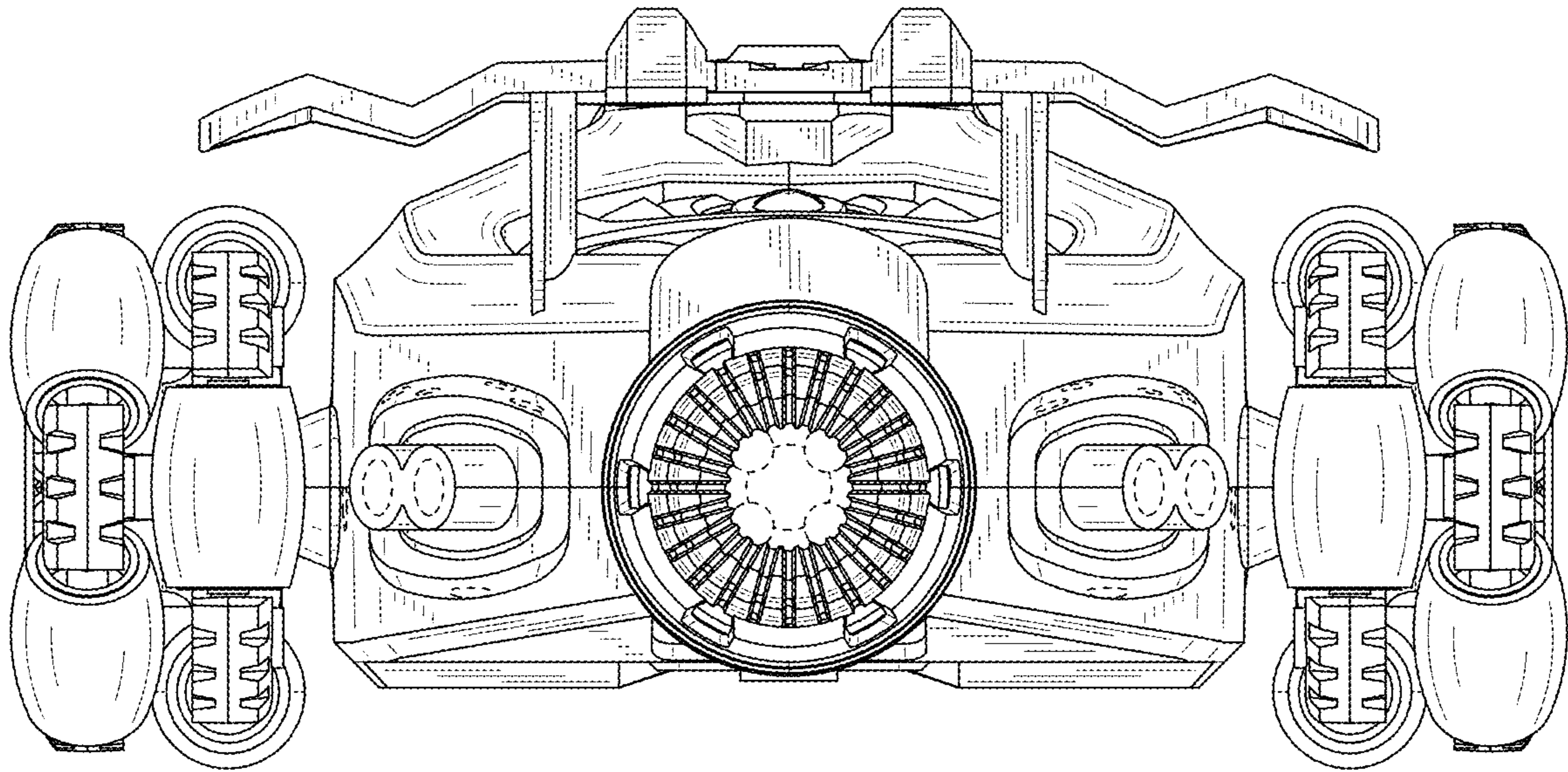


FIG. 4

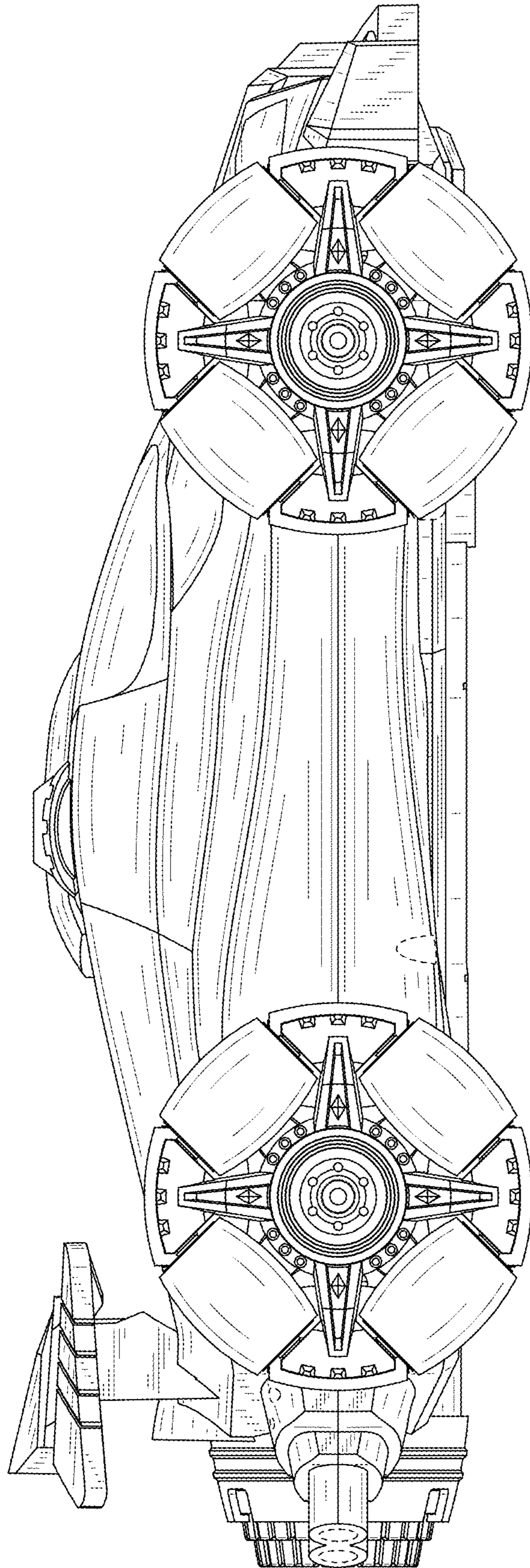


FIG. 5

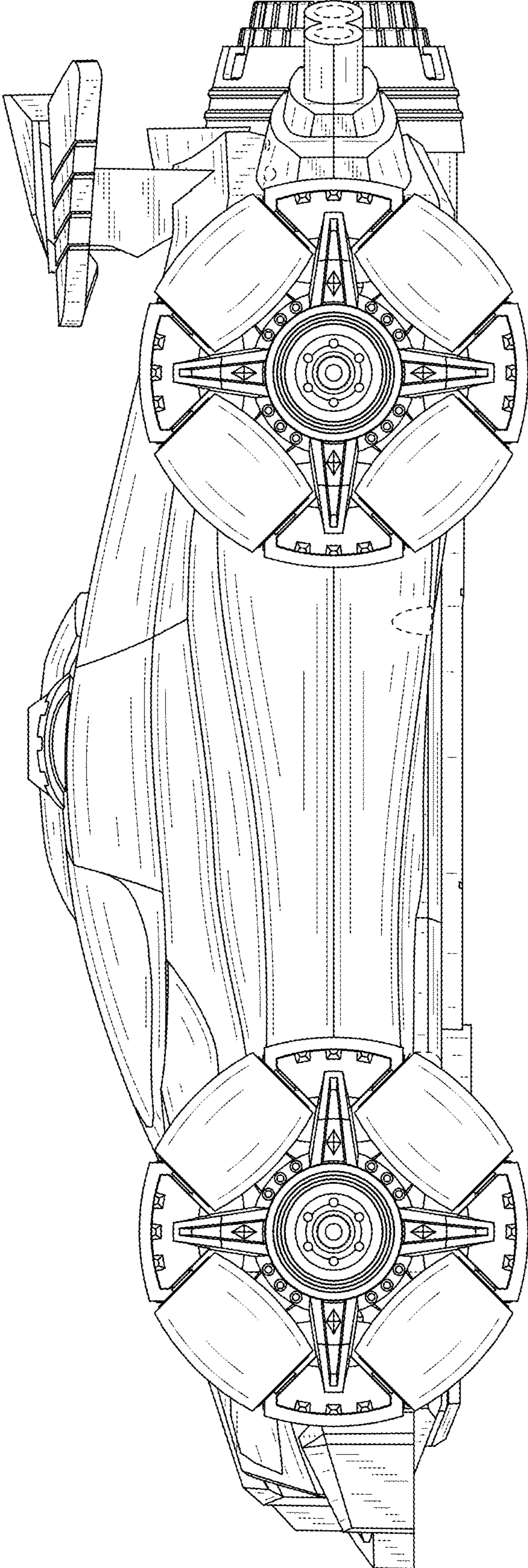


FIG. 6

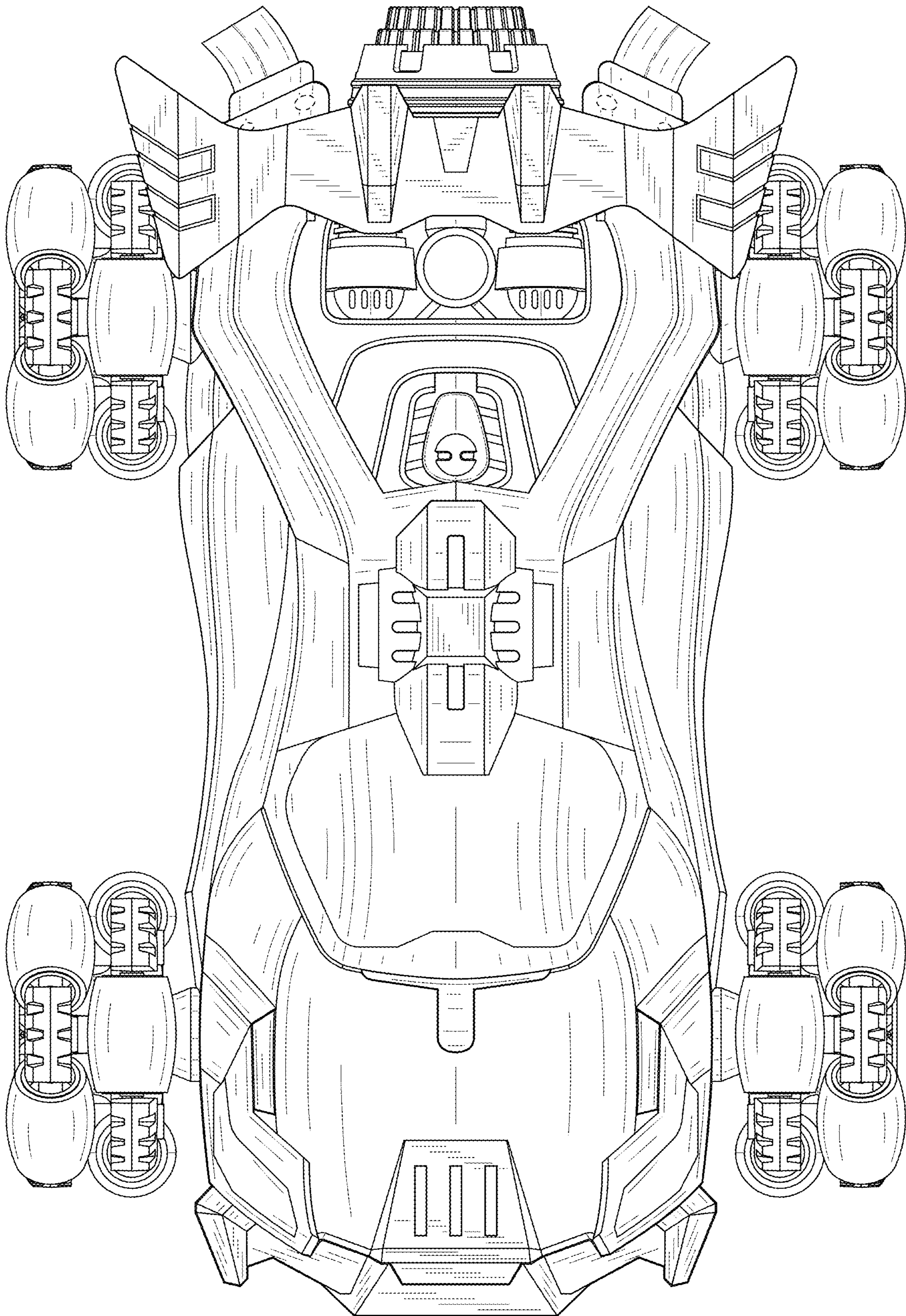


FIG. 7



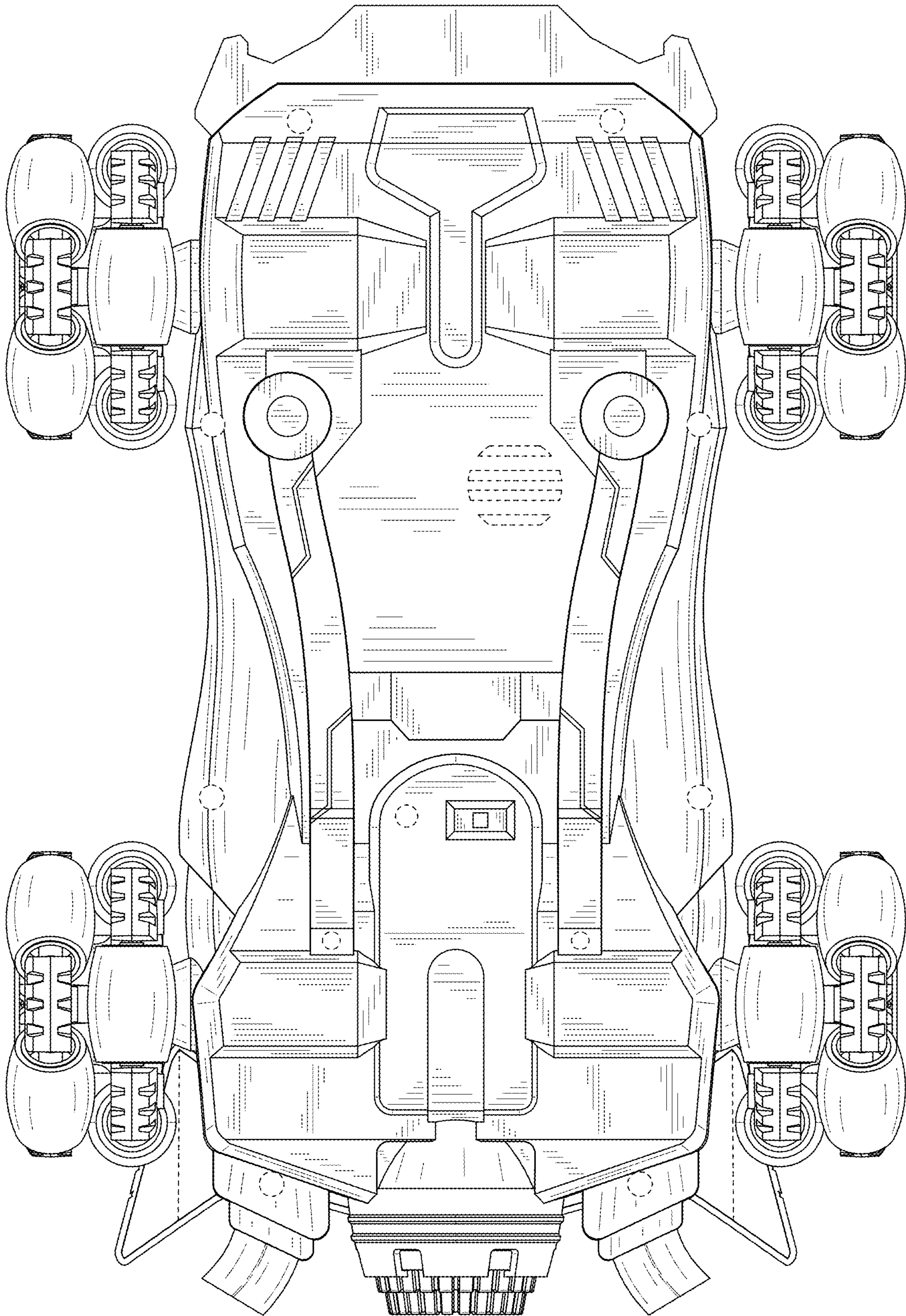


FIG. 8

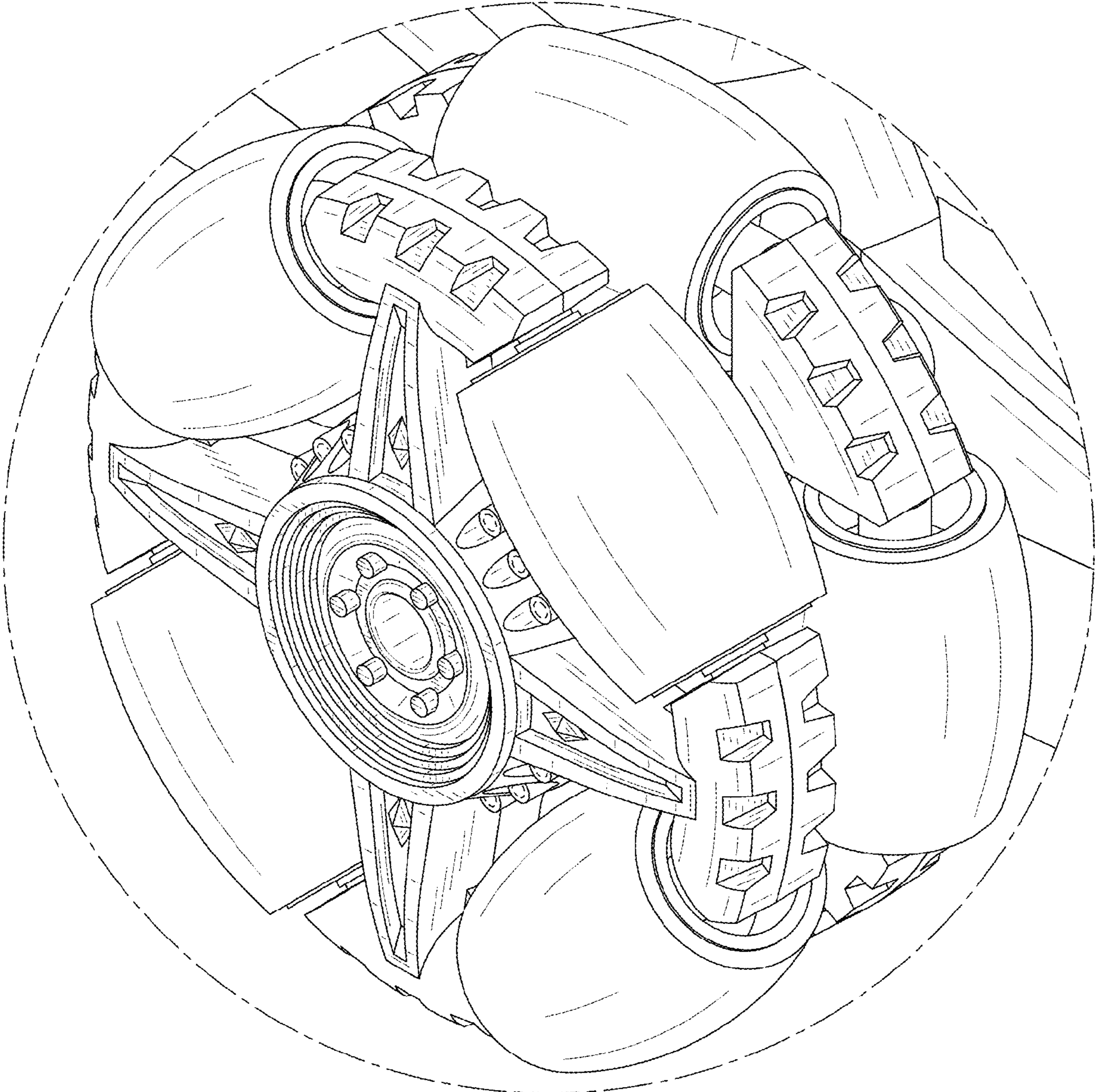


FIG. 9

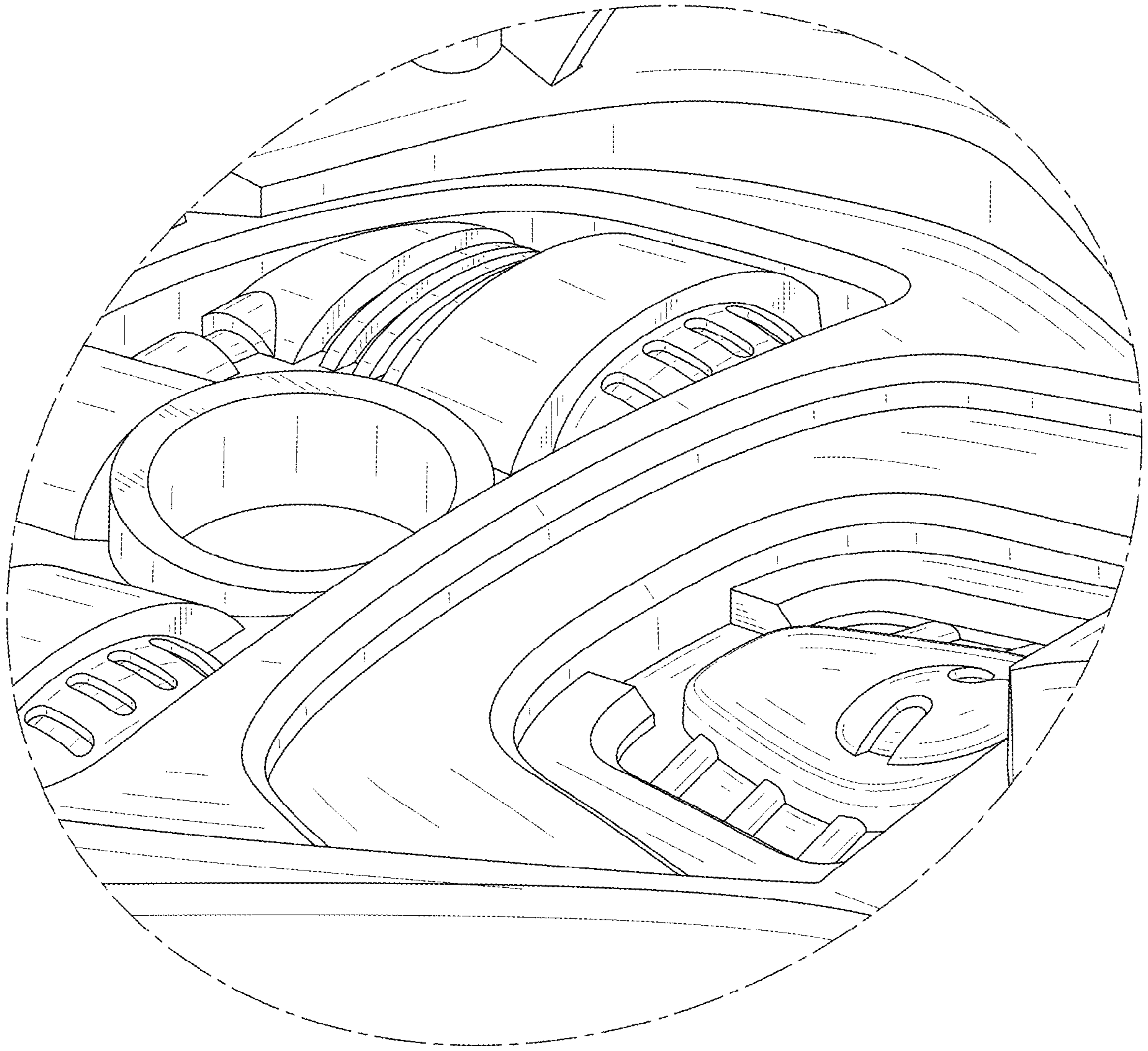


FIG. 10

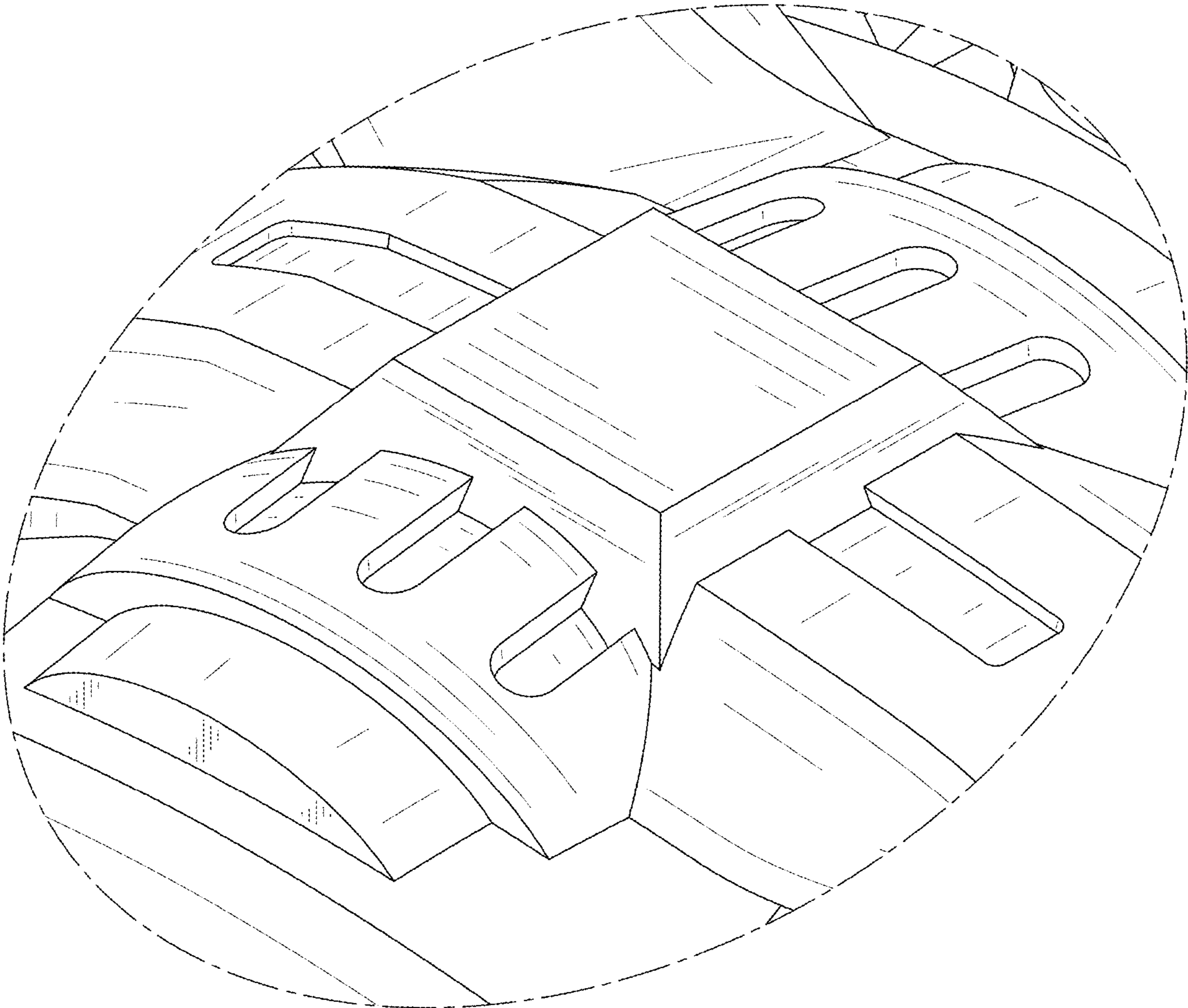


FIG. 11

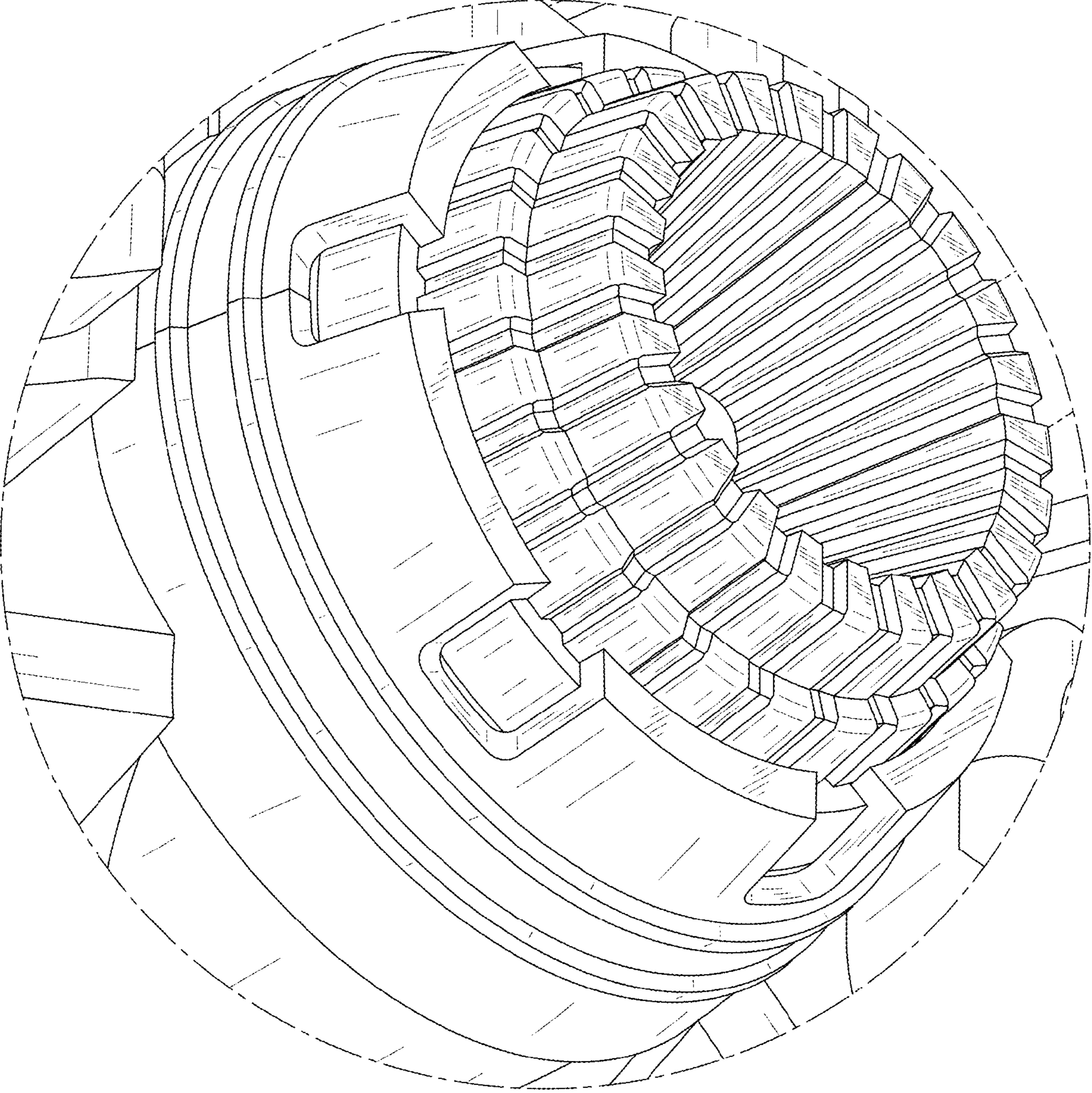


FIG. 12