



US00D954849S

(12) **United States Design Patent**
Du

(10) **Patent No.:** **US D954,849 S**
(45) **Date of Patent:** **** Jun. 14, 2022**

- (54) **TOY**
- (71) Applicant: **Qingshan Du**, Shantou (CN)
- (72) Inventor: **Qingshan Du**, Shantou (CN)
- (**) Term: **15 Years**
- (21) Appl. No.: **29/719,433**
- (22) Filed: **Jan. 3, 2020**
- (30) **Foreign Application Priority Data**

D435,542 S *	12/2000	Onoda	D14/218
D449,353 S *	10/2001	Fisher	D21/398
D462,352 S *	9/2002	Goto	D14/371
D469,475 S *	1/2003	Nishide	D21/329
D484,923 S *	1/2004	Wai-Kei	D21/398
D490,117 S *	5/2004	Butcher	D21/300
D520,468 S *	5/2006	Lin	D14/126
D557,747 S *	12/2007	Nagano	D21/324
D685,436 S *	7/2013	Menting	D21/398
D749,679 S *	2/2016	Bala	D21/333
D796,584 S *	9/2017	Okada	D21/398
D838,314 S *	1/2019	Agarwal	D21/398
D860,327 S *	9/2019	Brand	D21/398
D891,519 S *	7/2020	Chen	D21/324
2009/0298384 A1 *	12/2009	Connolly	A63H 3/006 446/389

- Sep. 9, 2019 (CN) 201930495551.3
- (51) **LOC (13) Cl.** **21-01**
- (52) **U.S. Cl.**
USPC **D21/398**
- (58) **Field of Classification Search**
USPC D21/300, 313, 324, 328, 329, 333, 386,
D21/396, 398, 405, 406, 414, 560, 566,
D21/475, 585, 659; D14/178, 218, 220,
D14/221, 299; D17/24, 99; D19/59, 60,
D19/62, 64
CPC A63H 3/005; A63H 3/006; A63H 11/00;
A63H 13/00; A63H 33/00; A63H 33/001;
A63H 33/002; A63H 3/38; A63H 3/02;
A63H 33/22; G09B 15/00; A63F 7/00;
A63F 9/00
See application file for complete search history.

* cited by examiner

Primary Examiner — Mehri F Bajoul
(74) *Attorney, Agent, or Firm* — ScienBiziP, P.C.

(57) **CLAIM**

The ornamental design for a toy, as shown and described.

DESCRIPTION

FIG. 1 is a top, front, right side perspective view of a toy, showing my design.
 FIG. 2 is a bottom, rear, left side perspective view thereof.
 FIG. 3 is a front elevation view thereof.
 FIG. 4 is a rear elevation view thereof.
 FIG. 5 is a left side elevation view thereof.
 FIG. 6 is a right side elevation view thereof.
 FIG. 7 is a top plan view thereof; and,
 FIG. 8 is a bottom plan view thereof.

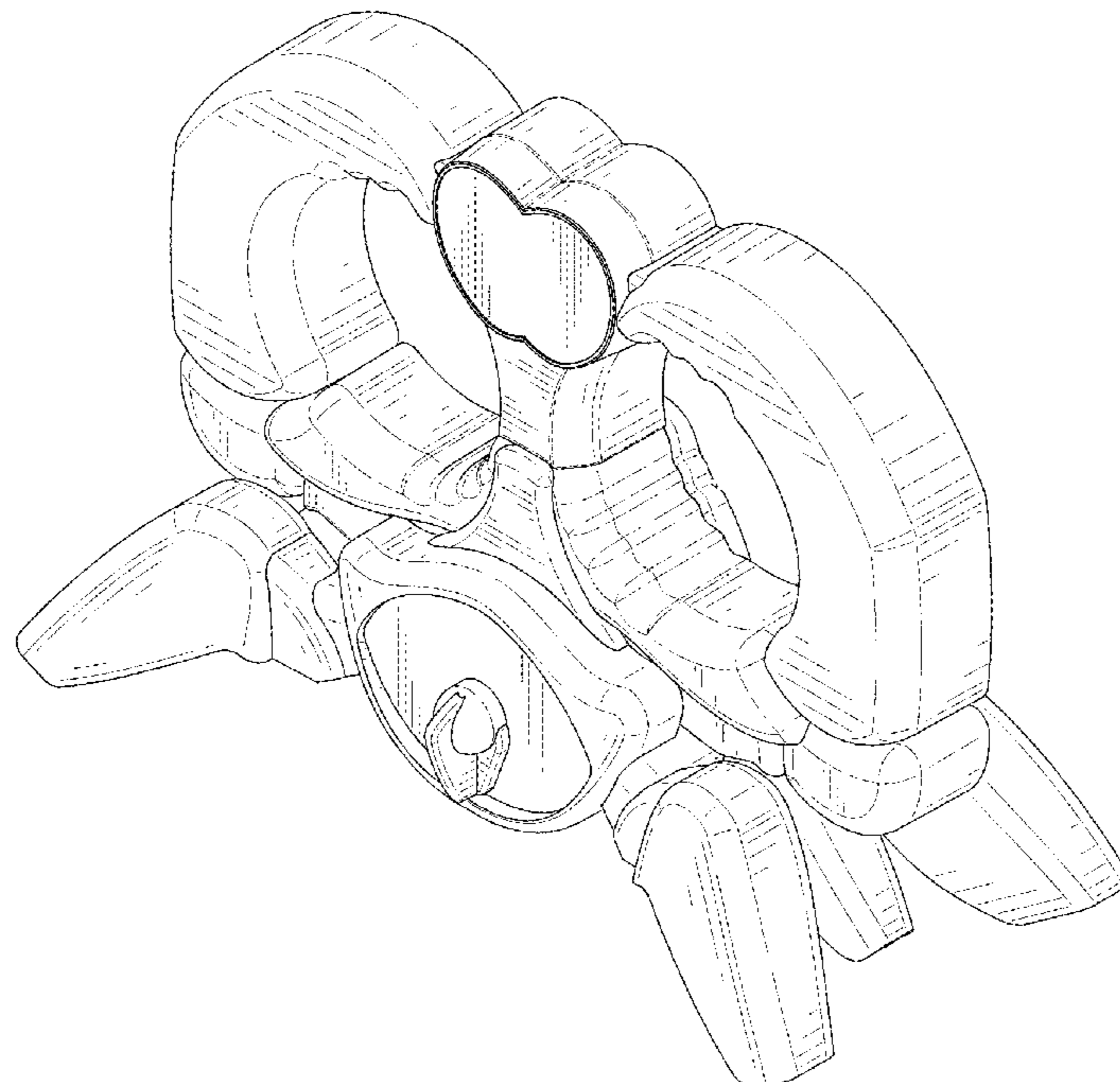
The broken lines in in the drawings depict portions of the toy that form no part of the claimed design.

1 Claim, 8 Drawing Sheets

(56) **References Cited**

U.S. PATENT DOCUMENTS

D156,481 S *	12/1949	Bonanno	D21/566
D353,409 S *	12/1994	Obata	D21/324
D399,537 S *	10/1998	Chi	D21/324
D435,273 S *	12/2000	Tong	D21/398



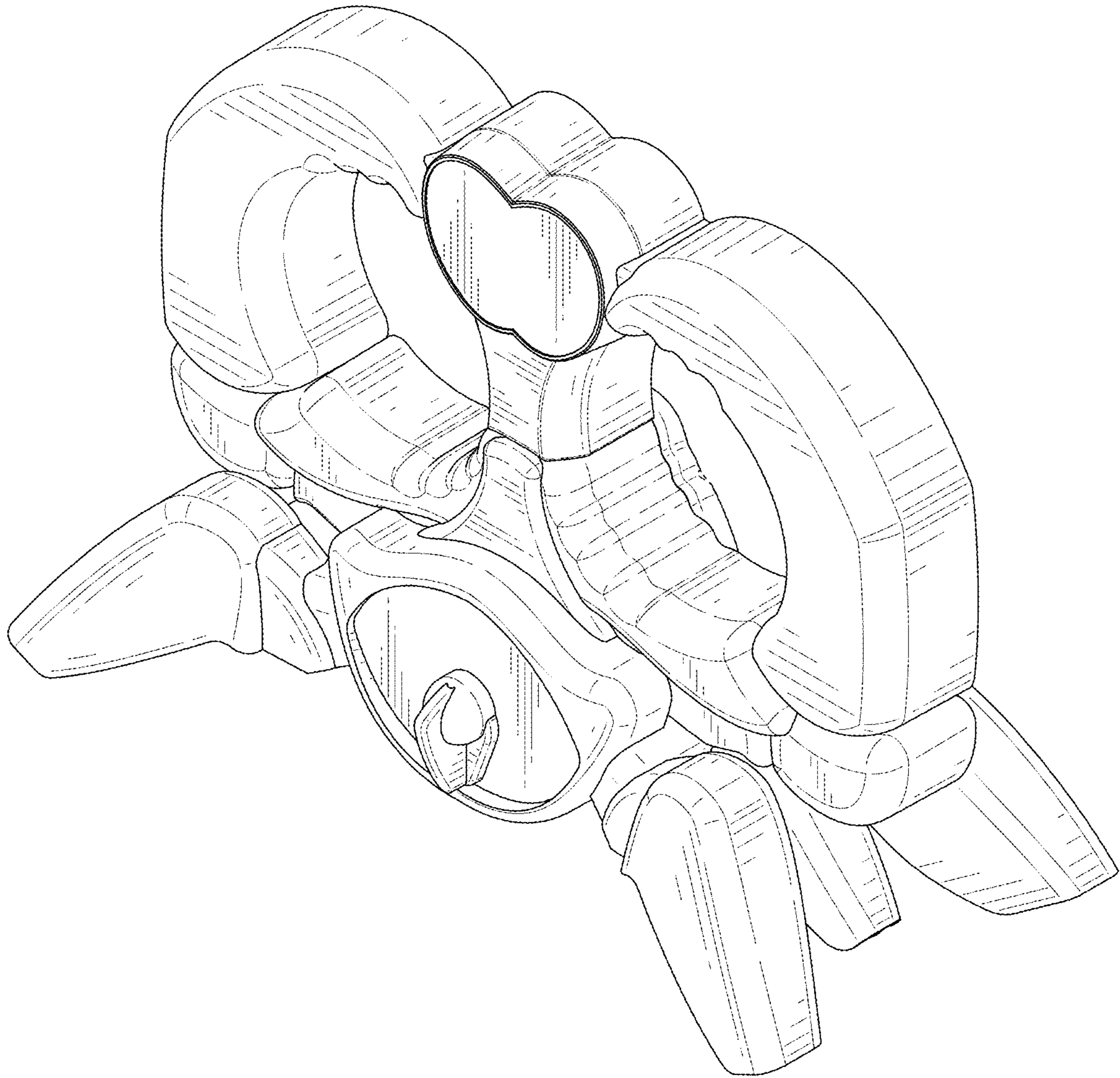


FIG. 1

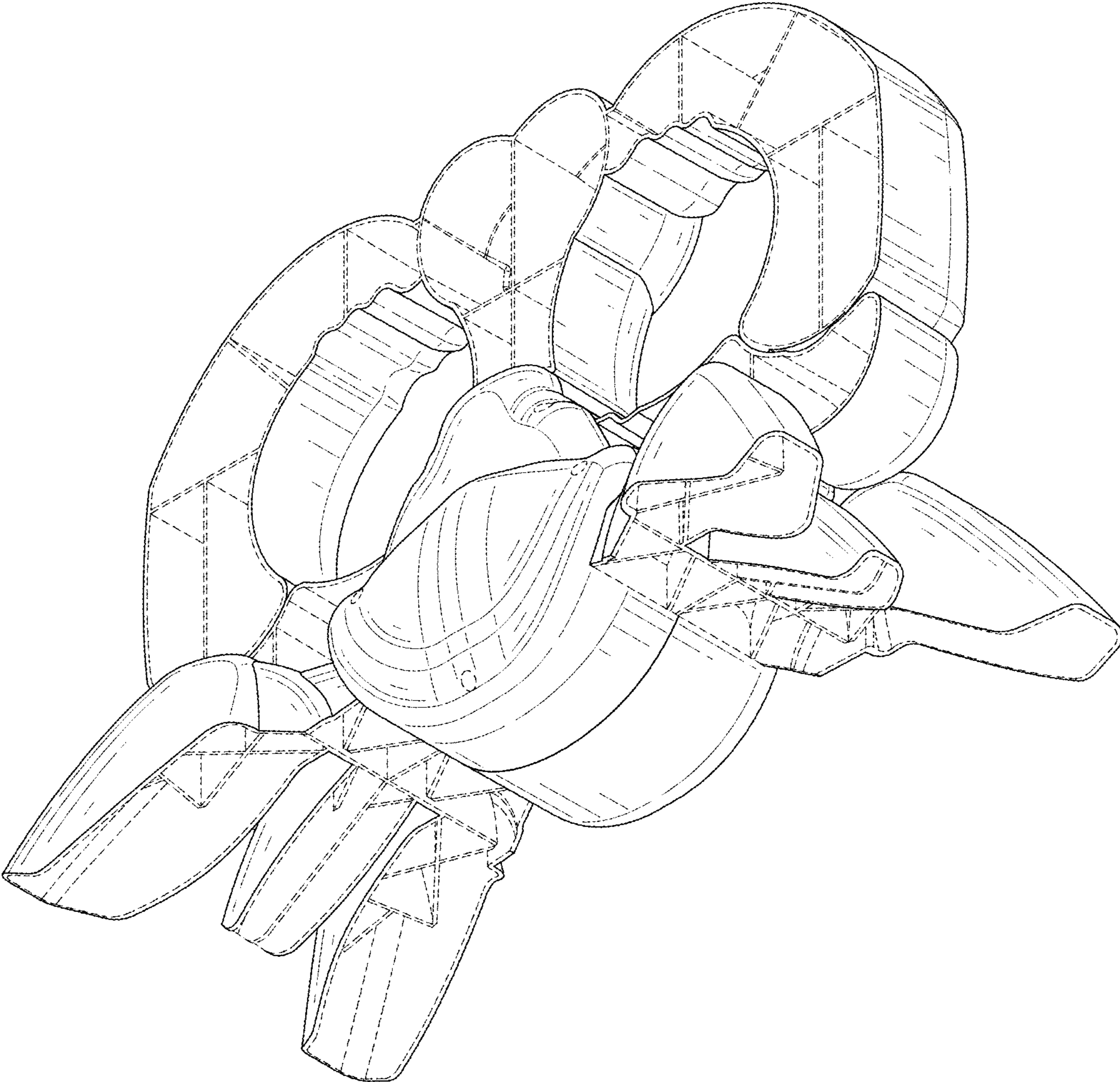


FIG. 2

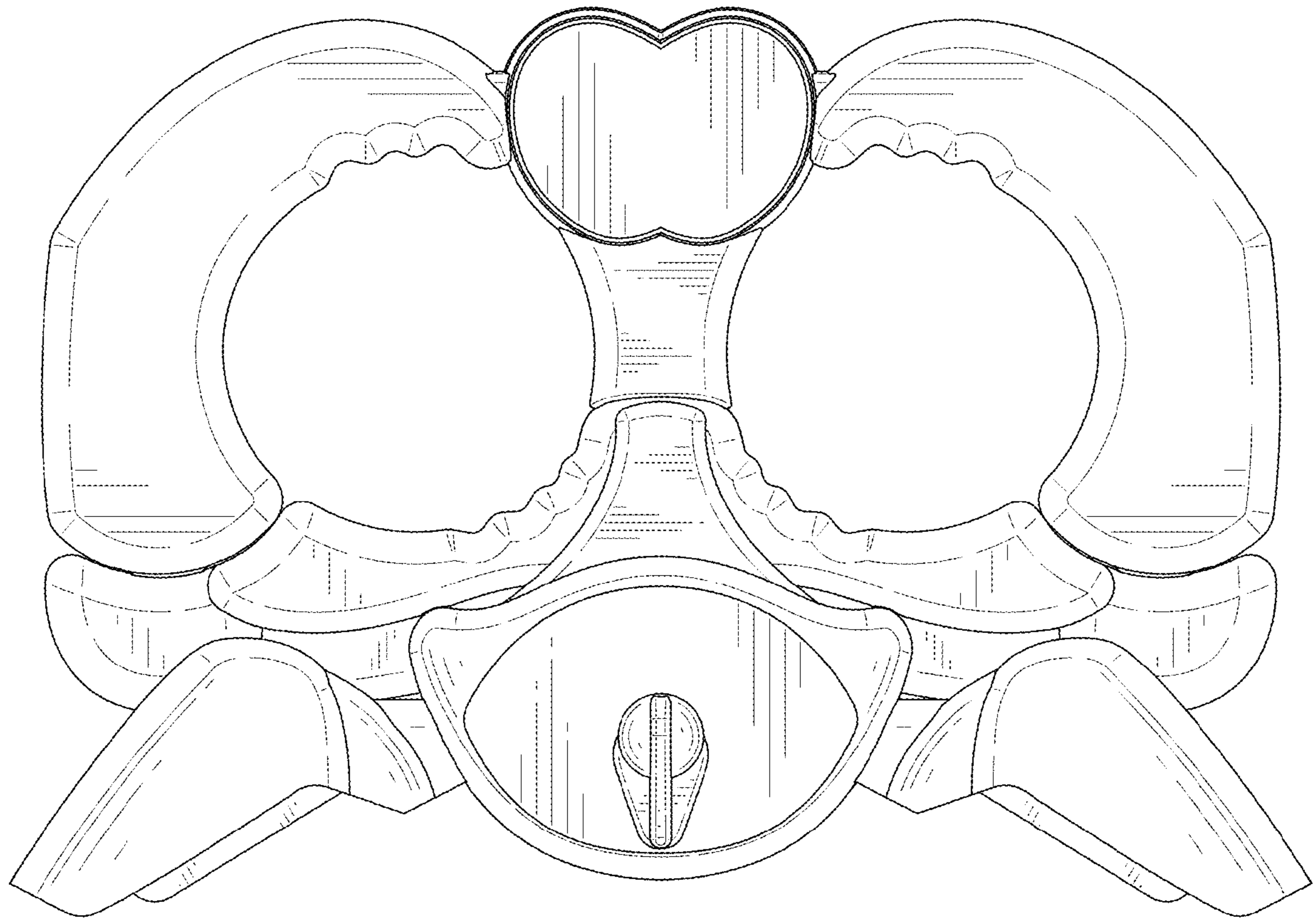


FIG. 3

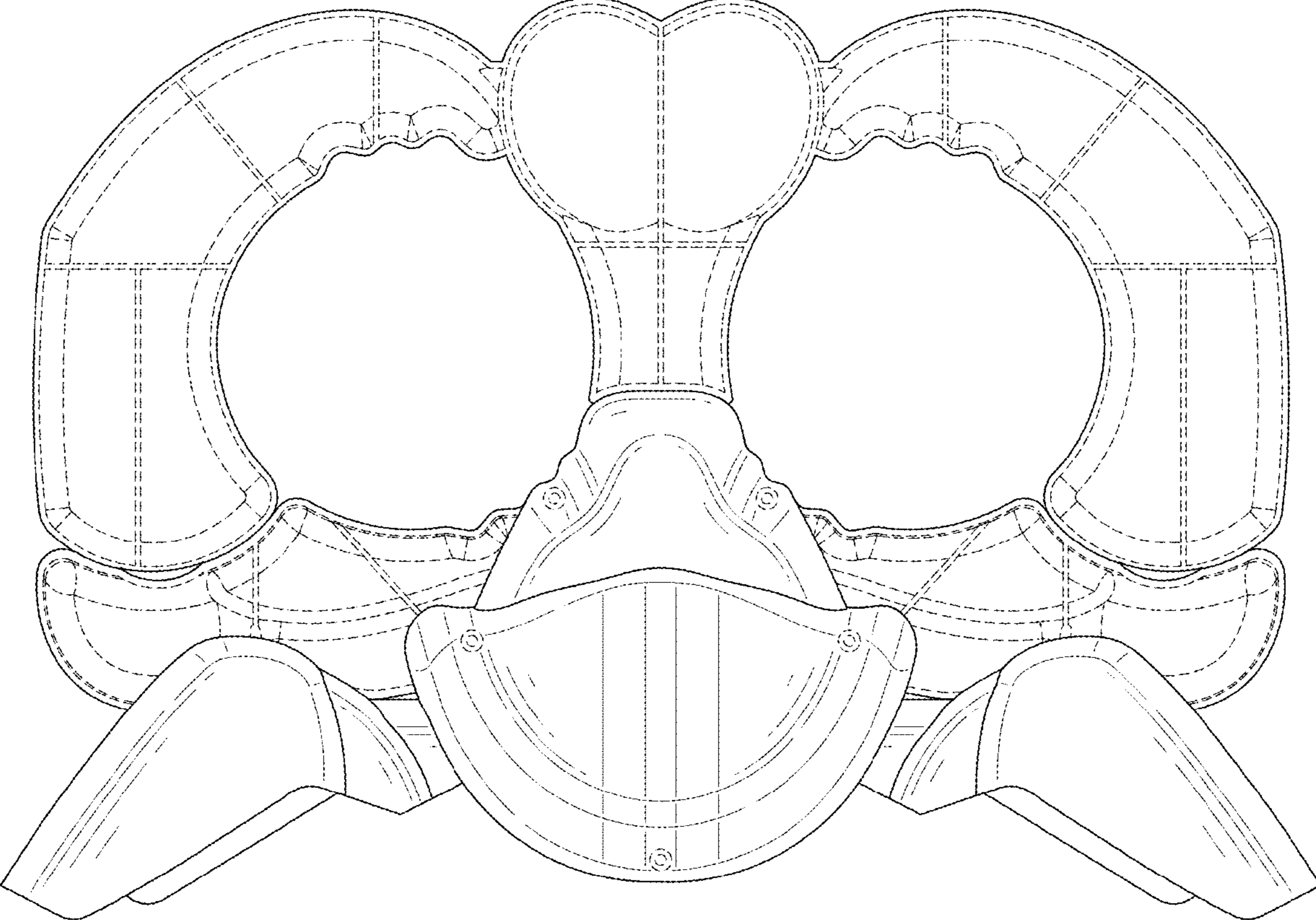


FIG. 4

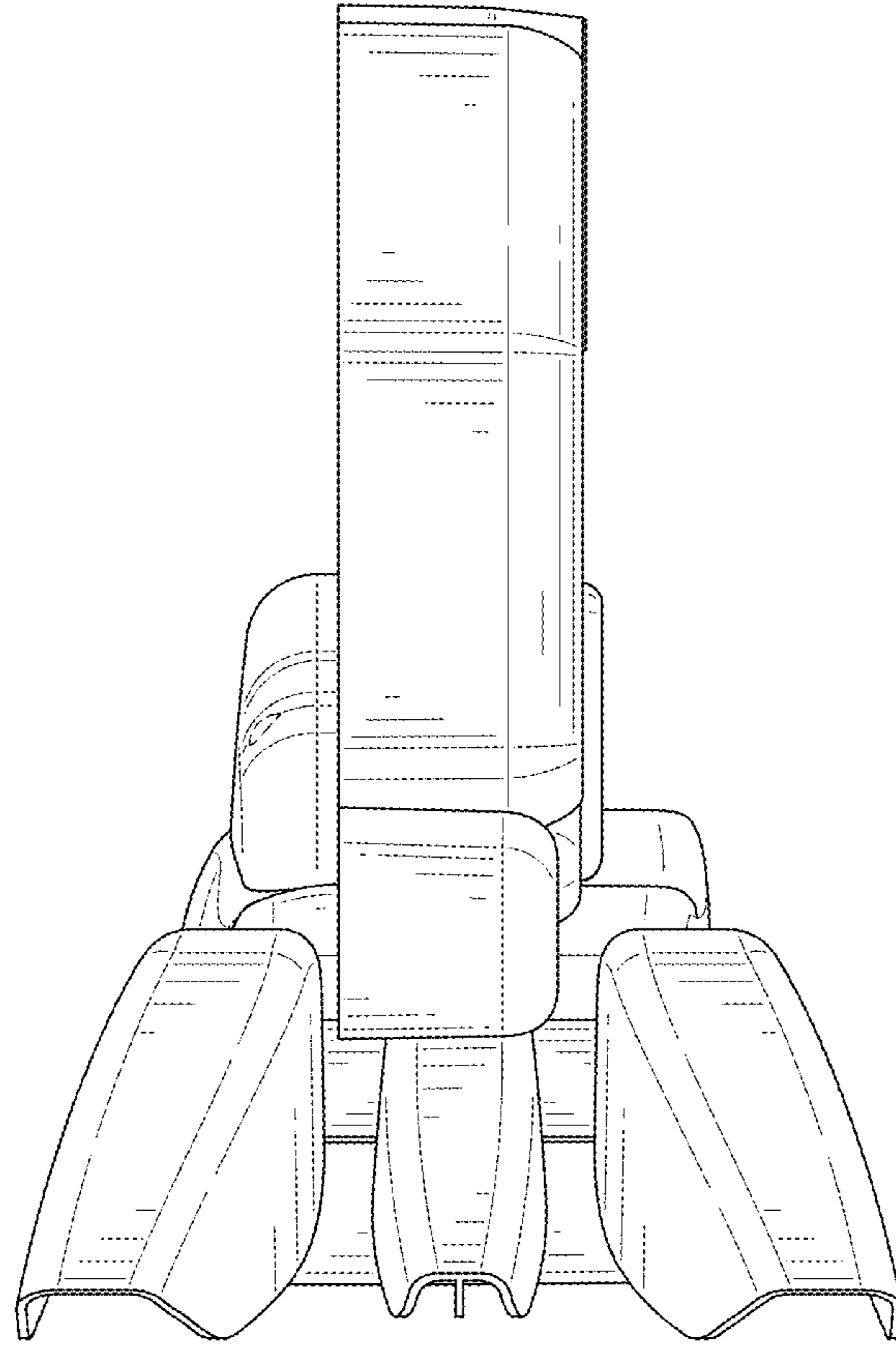


FIG. 5

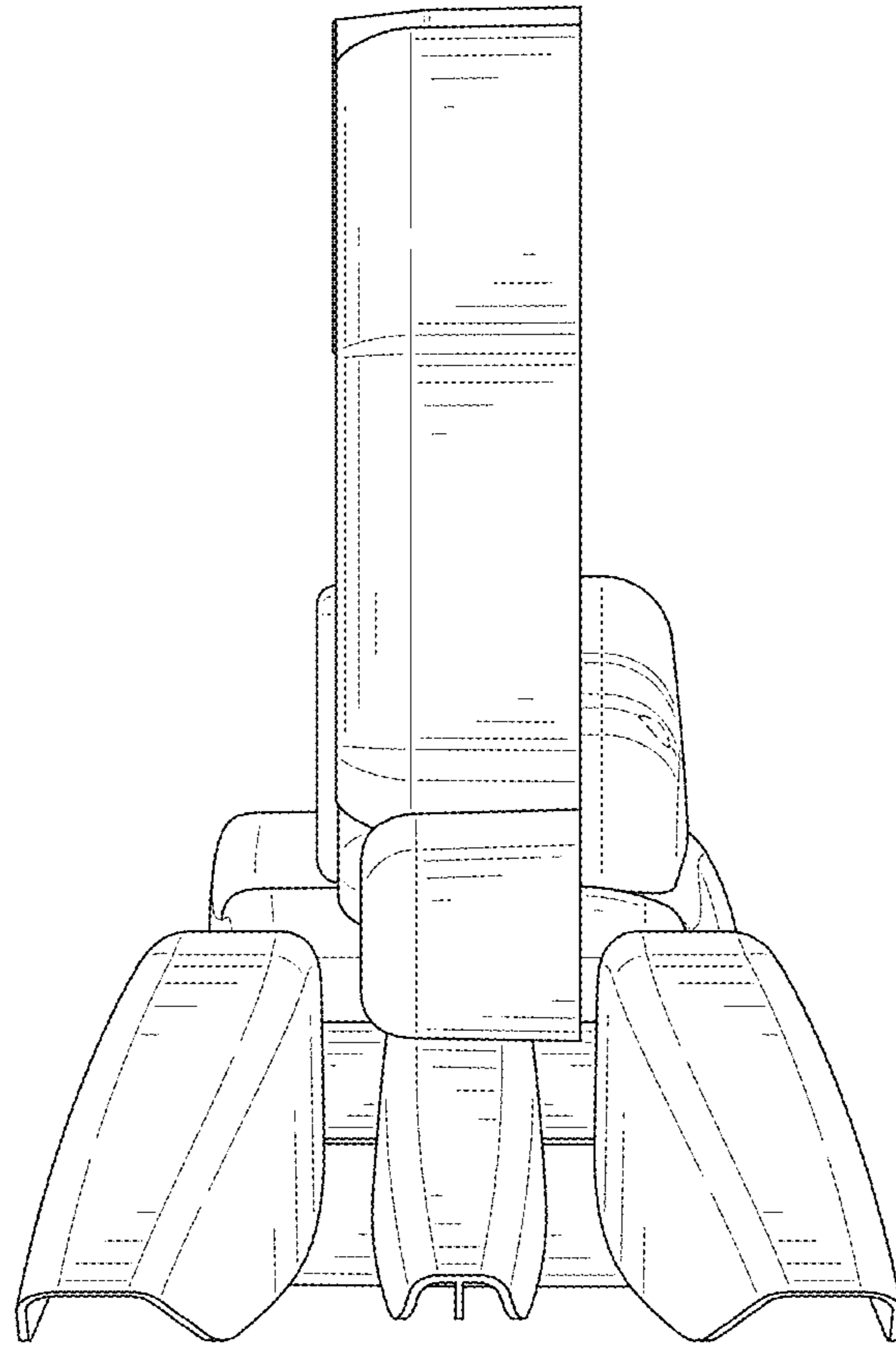


FIG. 6

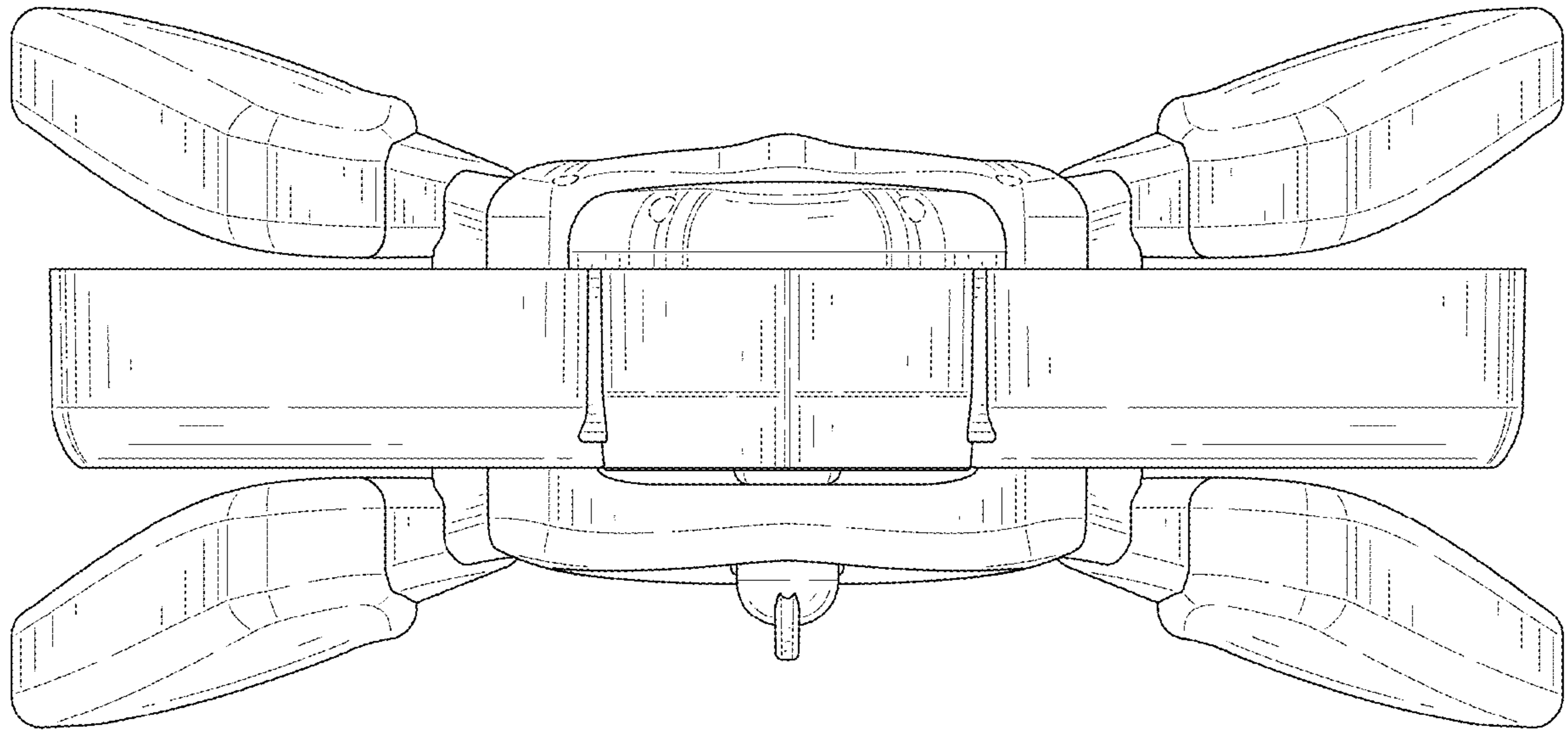


FIG. 7

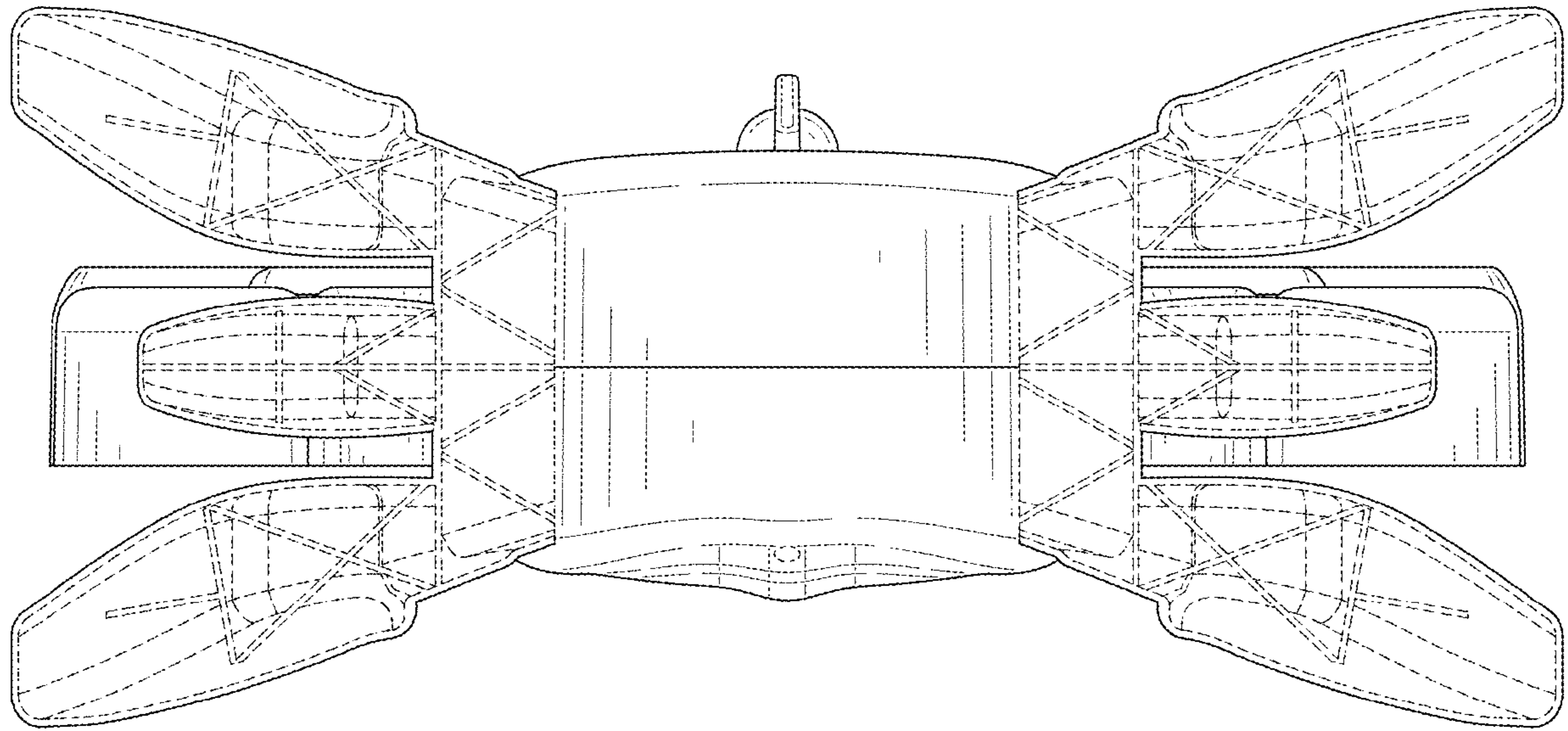


FIG. 8