



US00D954848S

(12) **United States Design Patent**
Hill et al.

(10) **Patent No.:** **US D954,848 S**
(45) **Date of Patent:** **** Jun. 14, 2022**

- (54) **GAMING DEVICE CABINET**
- (71) Applicant: **AKKADIAN ENTERPRISES**, Las Vegas, NV (US)
- (72) Inventors: **Ambreese Hill**, Henderson, NV (US);
Brian Dolan, Las Vegas, NV (US);
Georg M Washington, Rancho Mirage, CA (US)
- (73) Assignee: **AKKADIAN ENTERPRISES**, Las Vegas, NV (US)
- (**) Term: **15 Years**
- (21) Appl. No.: **29/708,407**
- (22) Filed: **Oct. 5, 2019**
- (51) **LOC (13) Cl.** **21-03**
- (52) **U.S. Cl.**
USPC **D21/369**
- (58) **Field of Classification Search**
USPC D21/329, 332, 333, 365, 385, 694, 371,
D21/325, 324, 336, 369; D6/300, 301,
D6/302, 308, 332, 650, 650.1, 668, 670,
D6/691.3, 703.1, 705.1
CPC A63F 59/04
See application file for complete search history.

- D758,497 S * 6/2016 Uhren D21/369
- D844,062 S * 3/2019 Lesley D21/369
- D893,632 S * 8/2020 McGahn D21/369
- 2006/0281559 A1* 12/2006 Luciano G07F 17/32
463/46
- 2009/0233681 A1* 9/2009 Tsukahara G07F 17/3216
463/20

* cited by examiner

Primary Examiner — Khawaja Anwar

Assistant Examiner — Julice Seung Eun Oum

(74) *Attorney, Agent, or Firm* — Lewis Roca Rothgerber
Christie LLP

(57) **CLAIM**

The ornamental design for a gaming device cabinet, as shown and described.

DESCRIPTION

FIG. 1 is a front perspective view of the gaming device cabinet of our new design.

FIG. 2 is a front view of the gaming device cabinet of our new design illustrated in FIG. 1.

FIG. 3 is a back view of the gaming device cabinet of our new design illustrated in FIG. 1.

FIG. 4 is a left side view of the gaming device cabinet of our new design illustrated in FIG. 1.

FIG. 5 is a right side view of the gaming device cabinet of our new design illustrated in FIG. 1.

FIG. 6 is a top view of the gaming device cabinet of our new design illustrated in FIG. 1; and,

FIG. 7 is a bottom view of the gaming device cabinet of our new design illustrated in FIG. 1.

Those portions shown in phantom are for environmental purposes only.

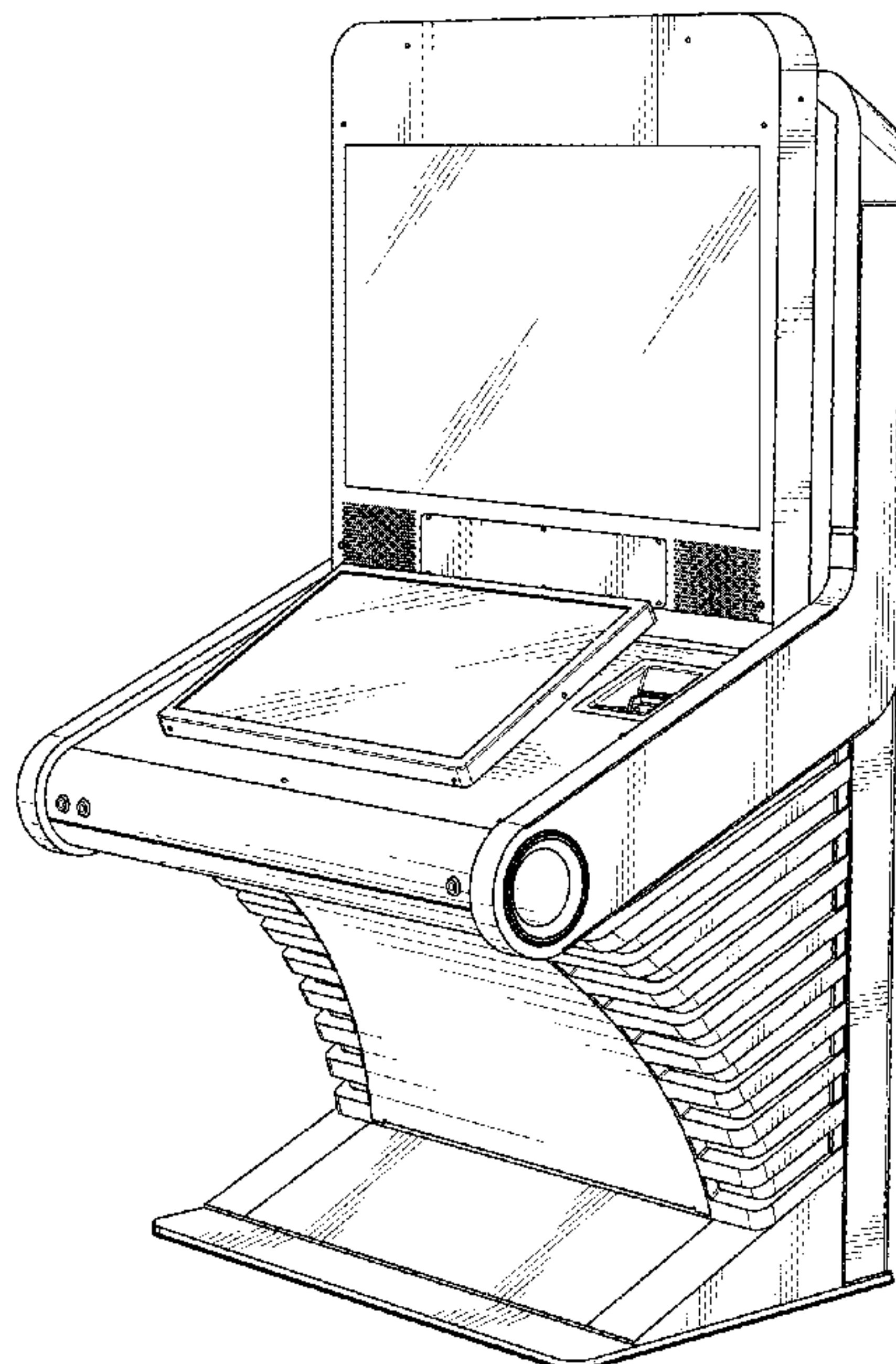
The broken lines shown on the monitor displays form no part of the claim design.

(56) **References Cited**

U.S. PATENT DOCUMENTS

- D487,434 S * 3/2004 Monson D14/126
- D508,269 S * 8/2005 Wichinsky D21/325
- 6,997,810 B2 * 2/2006 Cole G07F 17/32
463/36
- D559,917 S * 1/2008 Cole D21/369
- D599,858 S * 9/2009 Lesley D21/370
- D626,603 S * 11/2010 Bruzzese D21/370

1 Claim, 6 Drawing Sheets



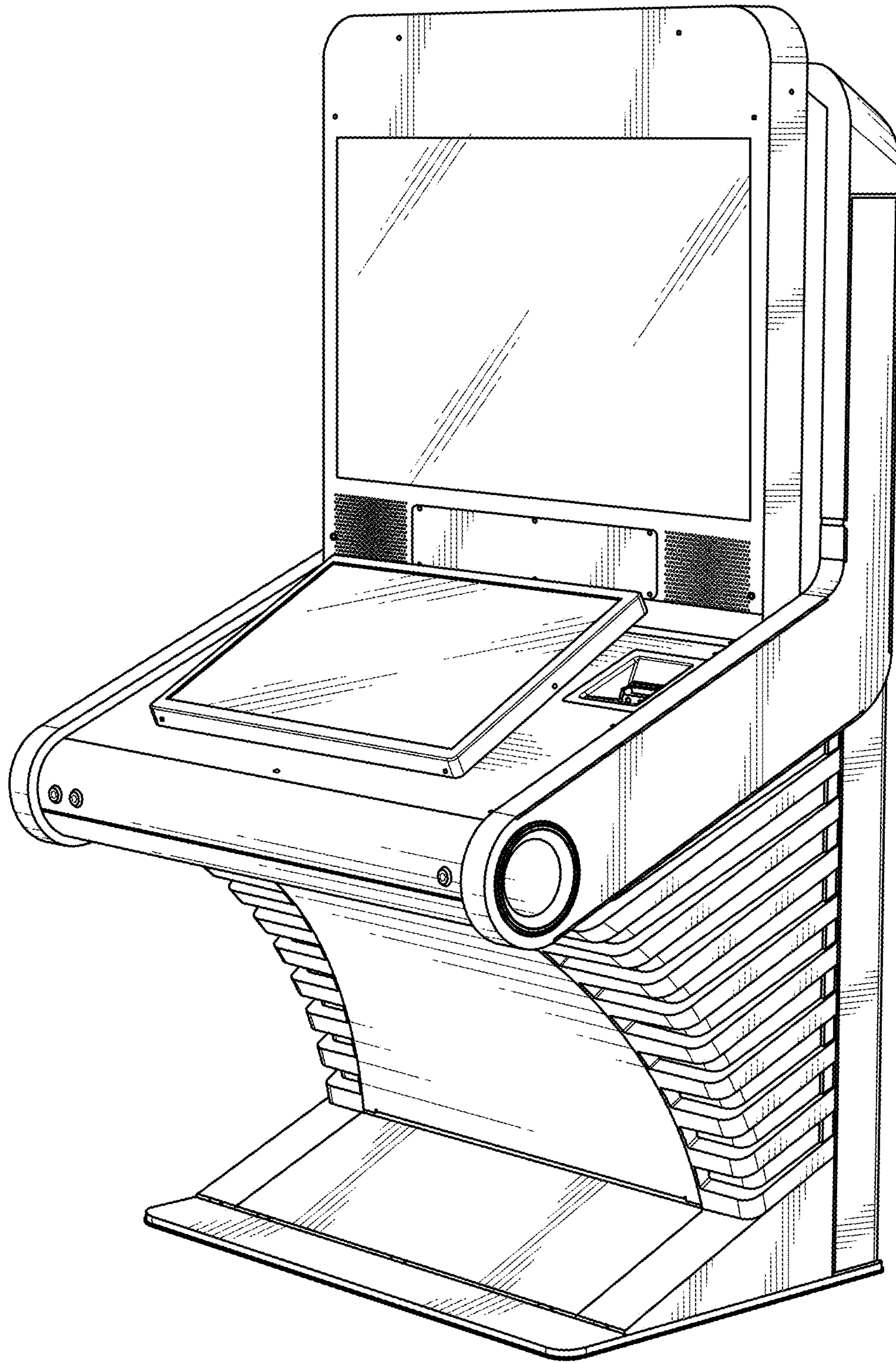


FIG. 1

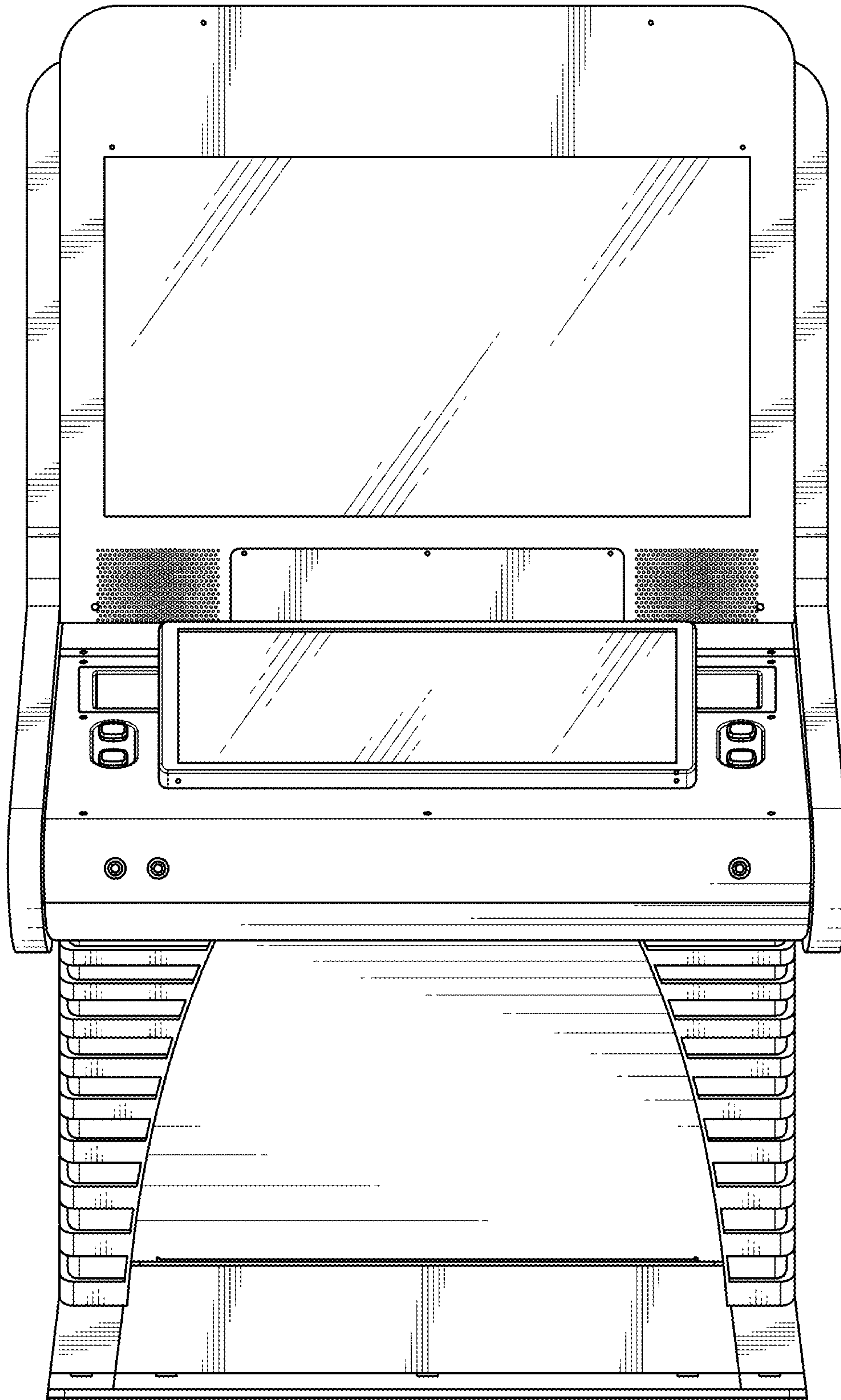


FIG. 2

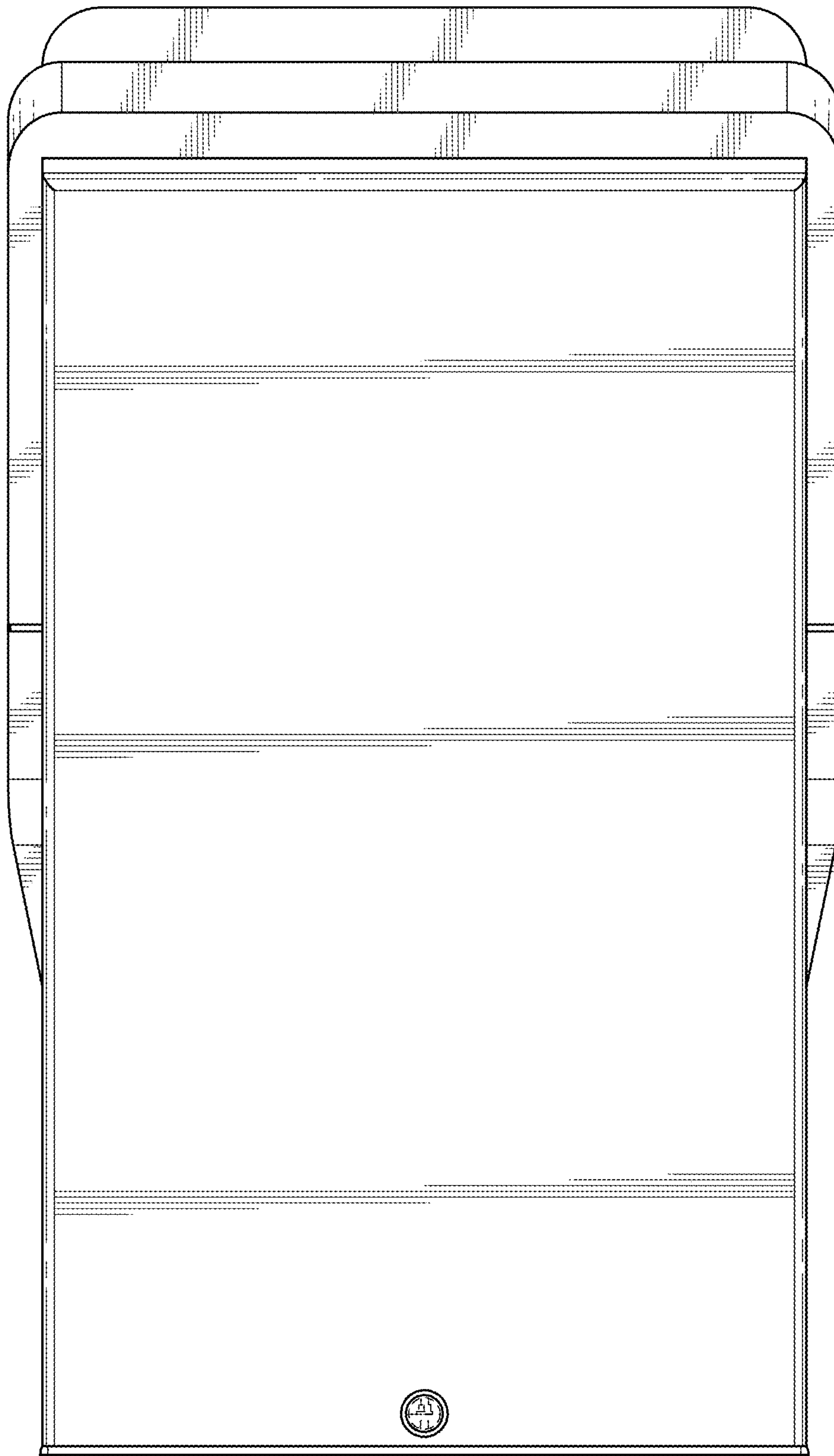


FIG. 3

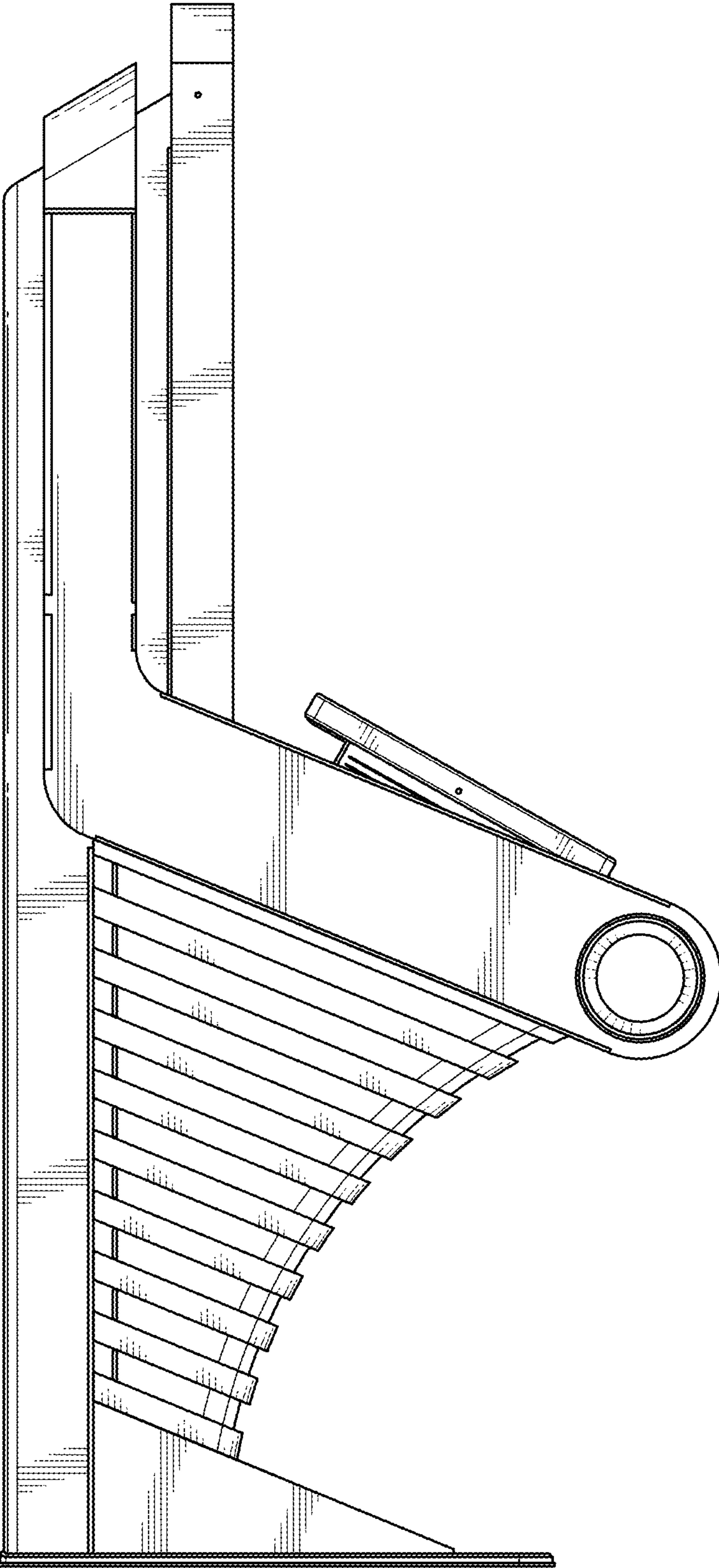


FIG. 4

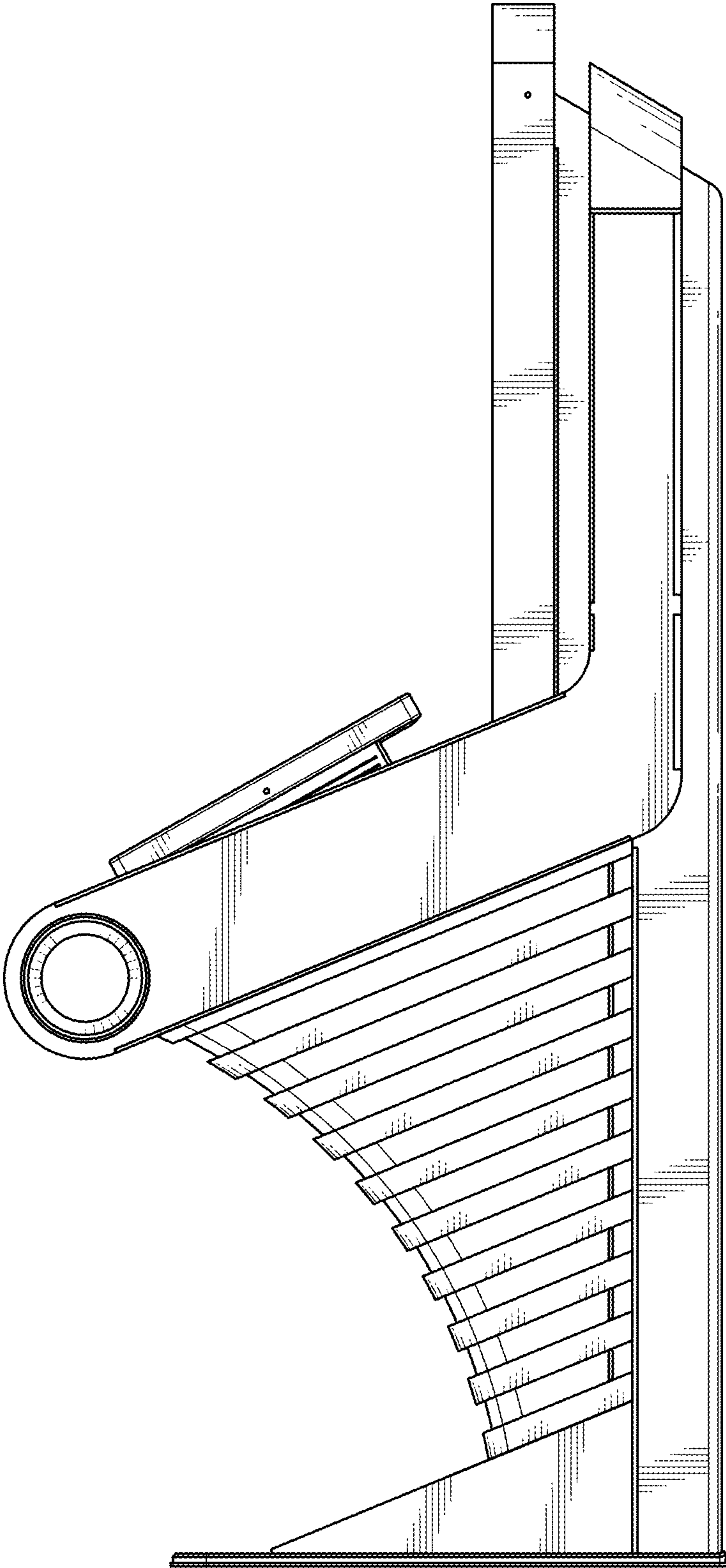


FIG. 5

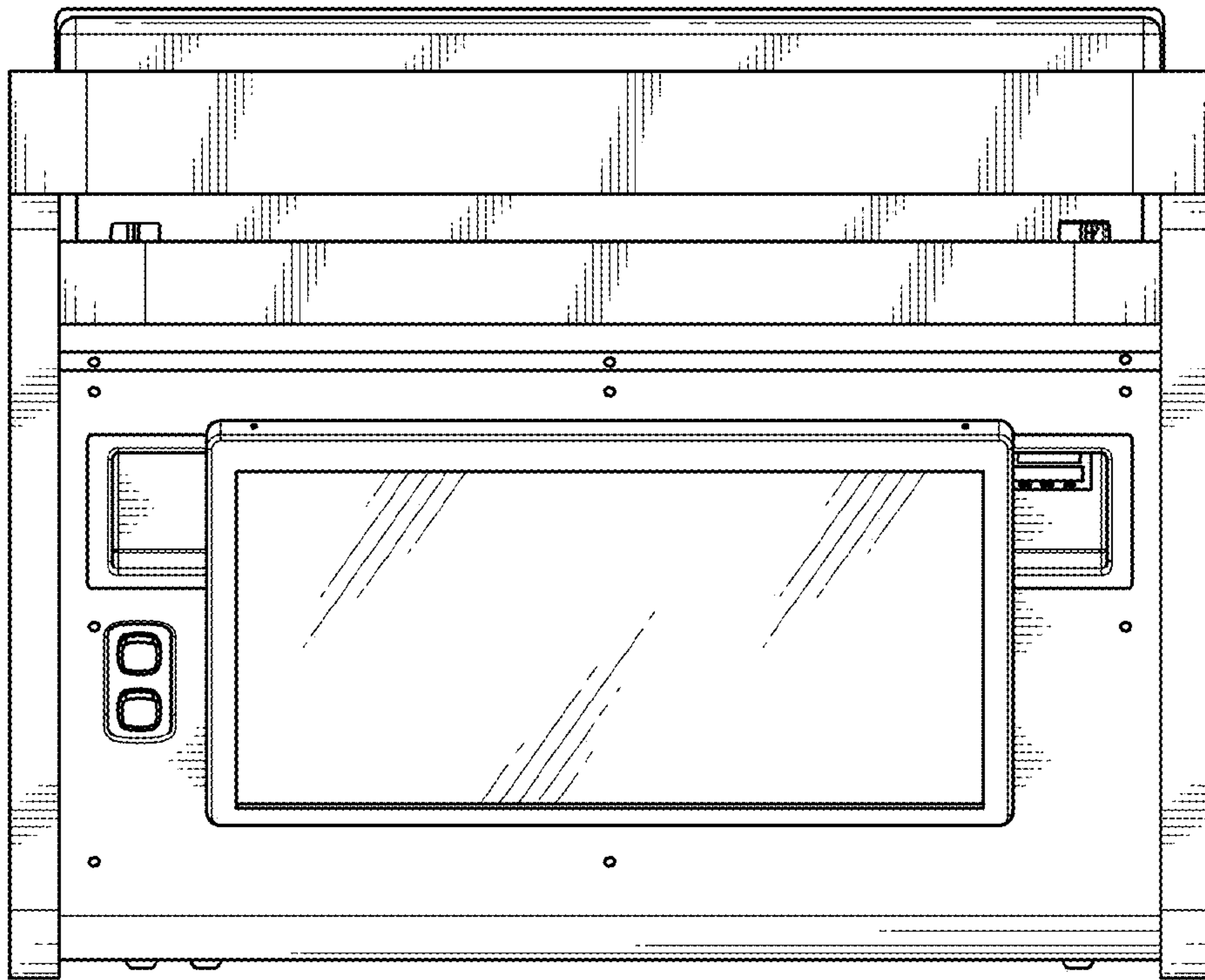


FIG. 6

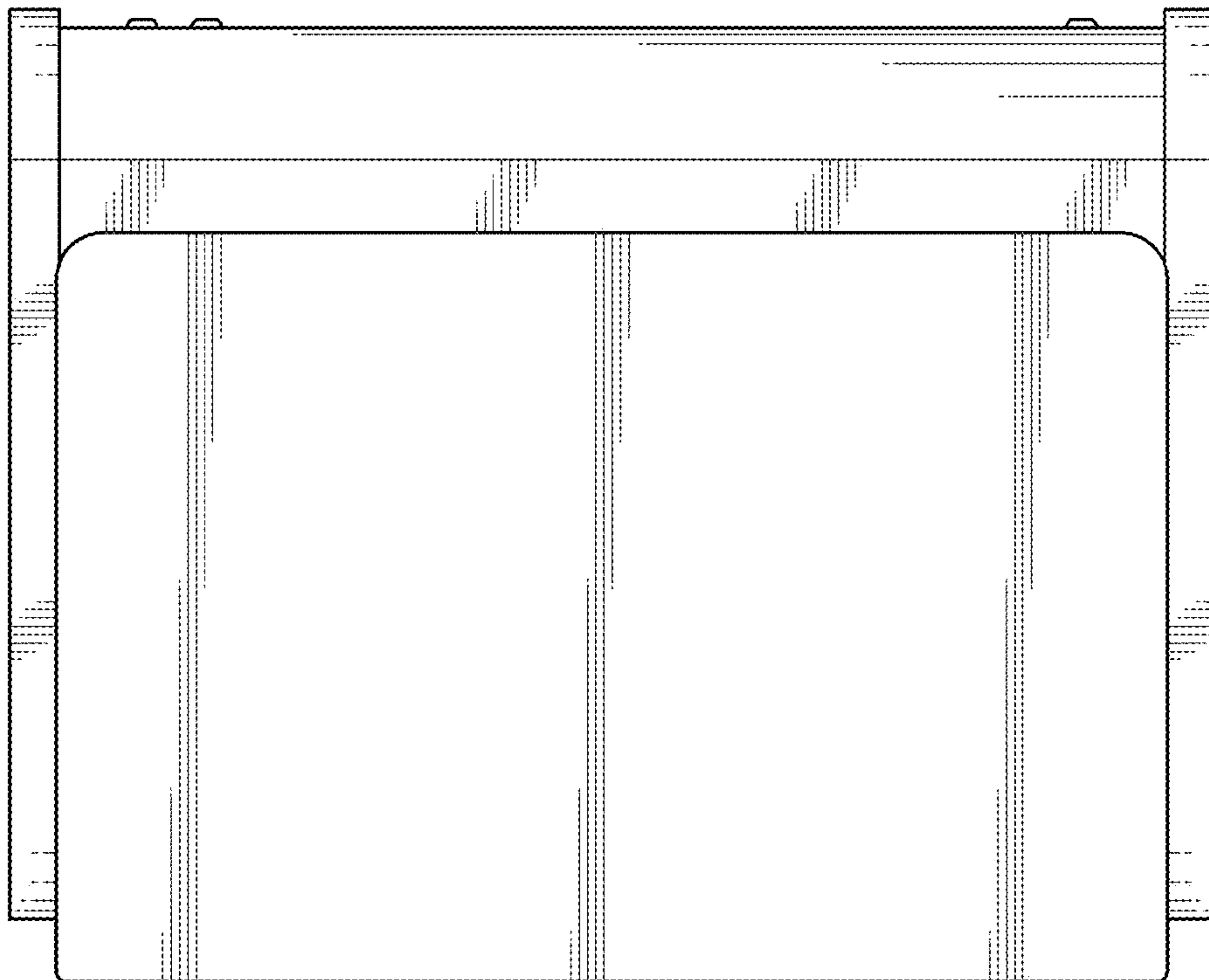


FIG. 7