



US00D954847S

(12) **United States Design Patent**
Hemerick et al.

(10) **Patent No.:** **US D954,847 S**
(45) **Date of Patent:** **** *Jun. 14, 2022**

(54) **BAR TOP GAMING MACHINE**

- (71) Applicant: **IGT, Las Vegas, NV (US)**
- (72) Inventors: **Bradley Hemerick, Sparks, NV (US);**
Steven P. McGahn, Reno, NV (US);
Brian K. Baker, Reno, NV (US);
Stewart Thoeni, Reno, NV (US)
- (73) Assignee: **IGT, Las Vegas, NV (US)**
- (*) Notice: This patent is subject to a terminal disclaimer.
- (**) Term: **15 Years**
- (21) Appl. No.: **29/684,245**
- (22) Filed: **Mar. 19, 2019**

Related U.S. Application Data

- (63) Continuation-in-part of application No. 29/684,011, filed on Mar. 18, 2019, which is a
(Continued)
- (51) **LOC (13) Cl.** **21-03**
- (52) **U.S. Cl.**
USPC **D21/369**
- (58) **Field of Classification Search**
USPC D21/324, 325, 326, 327, 329, 331, 369,
D21/385, 370; D14/371, 305; 463/46,
463/29, 17
(Continued)

(56) **References Cited**

U.S. PATENT DOCUMENTS

- D237,286 S * 10/1975 Miller D21/325
 - D237,727 S * 11/1975 Runte D21/326
- (Continued)

Primary Examiner — Ryan Harvey

(74) *Attorney, Agent, or Firm* — Neal, Gerber & Eisenberg LLP

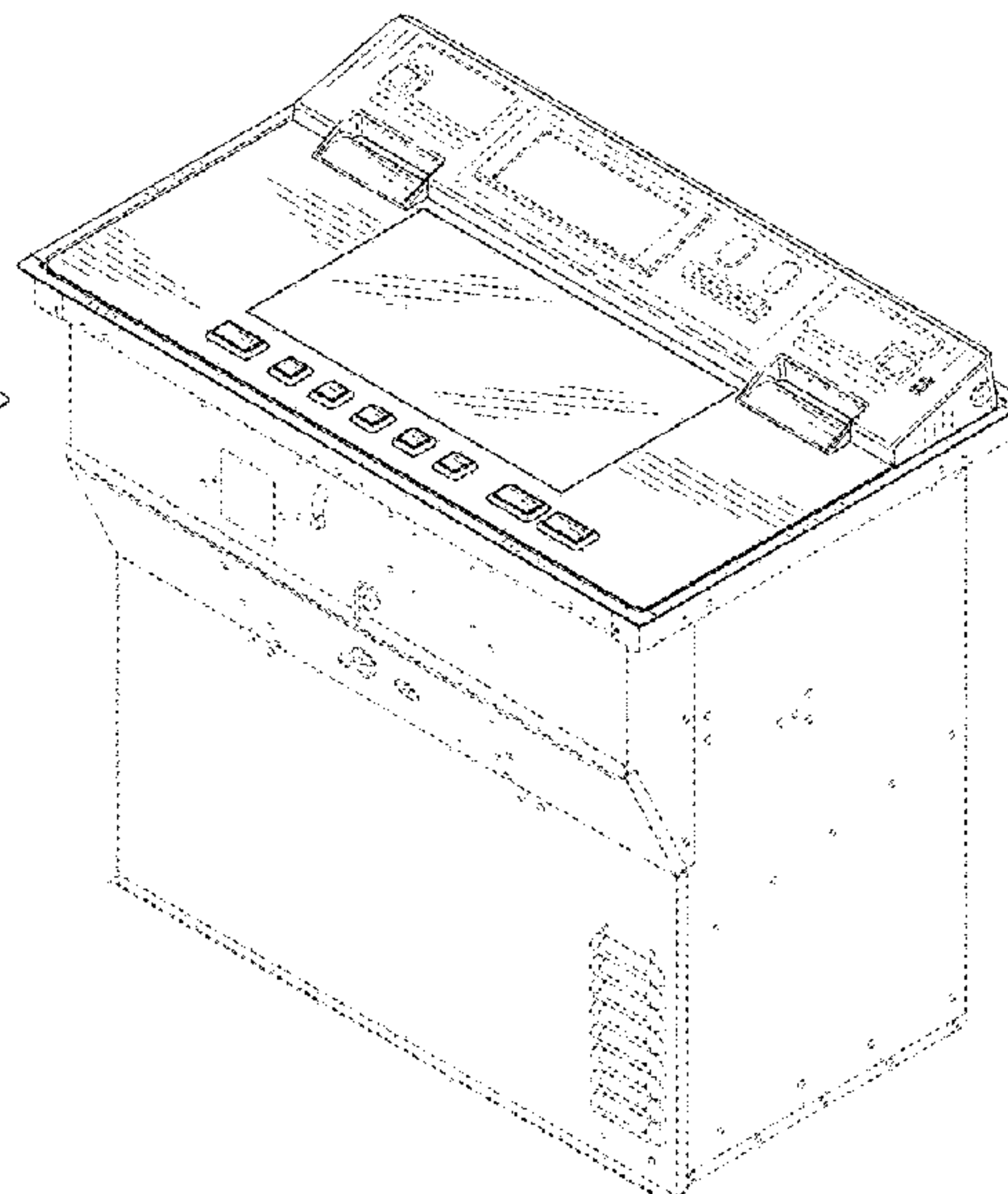
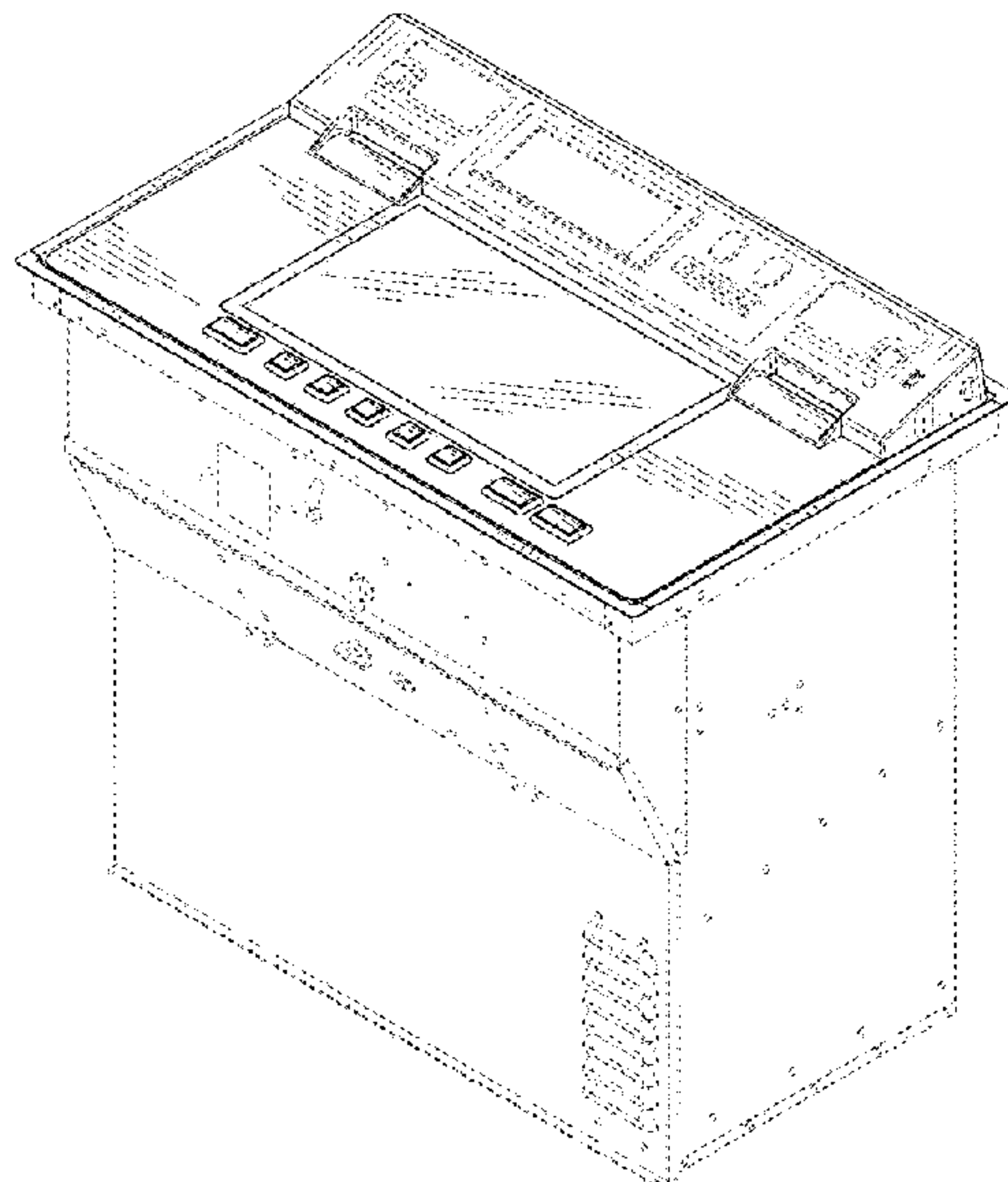
(57) **CLAIM**

The ornamental design for a bar top gaming machine, as shown and described herein.

DESCRIPTION

FIG. 1 is a front top perspective view of a bar top gaming machine of our new design.
 FIG. 2 is a front view of the bar top gaming machine of FIG. 1.
 FIG. 3 is a rear view of the bar top gaming machine of FIG. 1.
 FIG. 4 is a right side view of the bar top gaming machine of FIG. 1.
 FIG. 5 is a left side view of the bar top gaming machine of FIG. 1.
 FIG. 6 is a top view of the bar top gaming machine of FIG. 1.
 FIG. 7 is a bottom view of the bar top gaming machine of FIG. 1.
 FIG. 8 is a front top perspective view of a bar top gaming machine of another embodiment of our new design.
 FIG. 9 is a front view of the bar top gaming machine of FIG. 8.
 FIG. 10 is a rear view of the bar top gaming machine of FIG. 8.
 FIG. 11 is a right side view of the bar top gaming machine of FIG. 8.
 FIG. 12 is a left side view of the bar top gaming machine of FIG. 8.
 FIG. 13 is a top view of the bar top gaming machine of FIG. 8; and,
 FIG. 14 is a bottom view of the bar top gaming machine of FIG. 8.
 The portions shown in phantom are not part of the claimed design.

1 Claim, 14 Drawing Sheets



Related U.S. Application Data

continuation-in-part of application No. 29/683,779, filed on Mar. 15, 2019, which is a continuation-in-part of application No. 29/683,634, filed on Mar. 14, 2019.

(58) **Field of Classification Search**

CPC .. G07F 17/32; G07F 17/3244; G07F 17/3216; G07F 17/34; G07F 17/3211; G07F 17/3267; G07F 17/3202; G07F 17/3262; G07F 17/3223; G07F 17/323; G07F 17/3239; G07F 17/3288; G07F 17/3209; G07F 17/3241; G07F 17/3213; G07F 17/3225; G07F 17/3232; G07F 17/3258; G07F 17/3227; G07F 17/3234; G07F 17/3276; G07F 17/3248; G07F 17/326; G07F 17/3218; G07F 17/3206; G07F 17/3237; G07F 17/329; G07F 17/3251; G07F 17/3255; G07F 17/0014; G07F 17/3286; G07F 17/322; G07F 17/3272; G07F 17/3269; G07F 17/3293; G07F 17/3295; G07F 17/3265; G07F 17/3281; G07F 7/1008; G07F 7/025; G07F 7/0866; G07F 17/40; G07F 17/3279; G07F 7/0893; G07F 17/3246; G07F 17/3253; G07F 17/42; G07F 1/06; G07F 9/02; G07F 9/026; G07F 9/06; G07F 9/08; G07F 17/3204; G07F 17/3274; G07F 17/3283; G07F 17/3297; G07F 5/18; G07F 7/02; G07F 7/08; G07F 7/10; G07F 9/001; G07F 9/002; G07F 9/009; G07F 9/0235; G07F 9/10; G07F 9/105; A63F 3/00157; A63F 9/24; A63F 13/00; A63F 13/90; A63F 2001/008; A63F 13/08; A63F 3/081; A63F 13/12; A63F 2300/206; A63F 2300/405; A63F 5/00; A63F 13/10; A63F 3/0645; A63F 3/065; A63F 13/2145; A63F 13/26; A63F 13/50; A63F 13/70; A63F 13/792; A63F 13/95; A63F 2003/0017; A63F 2003/086; A63F 2300/1043; A63F 2300/201; A63F 2300/401; A63F 2300/409; A63F 3/069; A63F 11/0074; A63F 13/213; A63F 13/25; A63F 13/338; A63F 13/426; A63F 13/79; A63F 13/80; A63F 13/87; A63F 1/00; A63F 1/04; A63F 1/18; A63F 2011/0093; A63F 2300/1075; A63F 2300/5513; A63F 2300/552; A63F 2300/6063; A63F 3/06; A63F 3/062; A63F 5/0076; A63F 11/00; A63F 13/005; A63F 13/06; A63F 13/21; A63F 13/30; A63F 13/32; A63F 13/48; A63F 13/63; A63F 13/71; A63F 13/73; A63F 13/75; A63F 13/77; A63F 13/812; A63F 2003/00167; A63F 2003/083; A63F 2009/0041; A63F 2009/0087; A63F 2009/2429; A63F 2009/2451; A63F 2011/0095; A63F 2300/1012; A63F 2300/1087; A63F 2300/301; A63F 2300/403; A63F 2300/404; A63F 2300/532; A63F 2300/5586; A63F 2300/6036; A63F 2300/638; A63F 2300/8029; A63F 2300/8035; A63F

3/00075; A63F 3/00643; A63F 3/064; A63F 5/0005; A63F 5/007; A63F 5/04; A63F 7/022; A63F 7/048; A63F 9/00; A63F 9/0413; A63F 9/0468; A63F 9/18
See application file for complete search history.

(56)

References Cited

U.S. PATENT DOCUMENTS

D238,379	S	*	1/1976	Miller	D21/327
D247,321	S	*	2/1978	Cook	D21/327
D249,729	S	*	9/1978	Olson	D21/327
D252,636	S	*	8/1979	Cook	D21/327
D275,114	S	*	8/1984	Wickstead	D21/329
D275,772	S	*	10/1984	Akopian	D21/326
D281,085	S	*	10/1985	Smyth	D21/327
5,114,157	A	*	5/1992	Kita	A63F 13/005 463/29
D364,650	S	*	11/1995	Hanscom	D21/327
5,775,993	A	*	7/1998	Fentz	G07F 17/3262 463/17
5,813,914	A		9/1998	McKay et al.		
D424,122	S	*	5/2000	Dickenson	D21/325
D460,915	S	*	7/2002	Lynch	D21/329
D466,161	S	*	11/2002	Takahashi	D21/327
6,688,984	B2		2/2004	Cole		
6,997,810	B2		2/2006	Cole		
D548,801	S	*	8/2007	Groswirt	D21/329
D549,785	S	*	8/2007	Luciano, Jr.	D21/329
7,267,613	B2		9/2007	Cole		
D559,917	S		1/2008	Cole		
7,396,282	B2		7/2008	Gauselmann		
D579,500	S	*	10/2008	Luciano, Jr.	D21/369
D595,783	S	*	7/2009	Anderson	D21/327
D595,784	S	*	7/2009	Wells	D21/370
D595,785	S	*	7/2009	Wells	D21/370
D628,654	S	*	12/2010	Miesch	A47B 25/00 D21/369
D631,919	S	*	2/2011	De Viveiros Ortiz	D21/369
D637,652	S	*	5/2011	Tahara	D21/325
D641,047	S	*	7/2011	Tahara	D21/325
7,993,198	B2		8/2011	Walker et al.		
8,033,902	B2		10/2011	Wells et al.		
D655,763	S	*	3/2012	Salsaa	D21/385
D657,823	S	*	4/2012	Gutowski	D21/331
8,272,947	B2		9/2012	Gagner et al.		
D677,655	S	*	3/2013	Sirotych	D14/305
D684,972	S	*	6/2013	Benson	D14/371
8,502,789	B2	*	8/2013	Tse	G06F 3/04883 345/173
8,864,135	B2		10/2014	Baerlocher et al.		
8,870,663	B2		10/2014	Cole		
D761,918	S	*	7/2016	Kelly	D21/397
9,443,385	B2		9/2016	Adiraju et al.		
9,508,220	B2		11/2016	Walker et al.		
9,824,523	B2		11/2017	Cannon et al.		
RE46,738	E	*	2/2018	Sasaki	G07F 17/32
D810,829	S	*	2/2018	Loynes	D21/329
D810,834	S	*	2/2018	Kelly	D21/397
D825,668	S	*	8/2018	Hedrick	D21/397
D843,471	S	*	3/2019	Castro	D21/369
D843,472	S	*	3/2019	Castro	D21/369
D878,473	S	*	3/2020	Thoeni	D21/329
11,138,824	B1	*	10/2021	Vrabec	G07F 17/3211
2007/0072682	A1	*	3/2007	Crawford, III	G07F 17/3276 463/46
2009/0111573	A1		4/2009	Iddings		
2009/0221375	A1	*	9/2009	Luciano, Jr.	G07F 17/32 463/46
2009/0233681	A1		9/2009	Tsukahara		
2014/0274252	A1		9/2014	Chun		

* cited by examiner

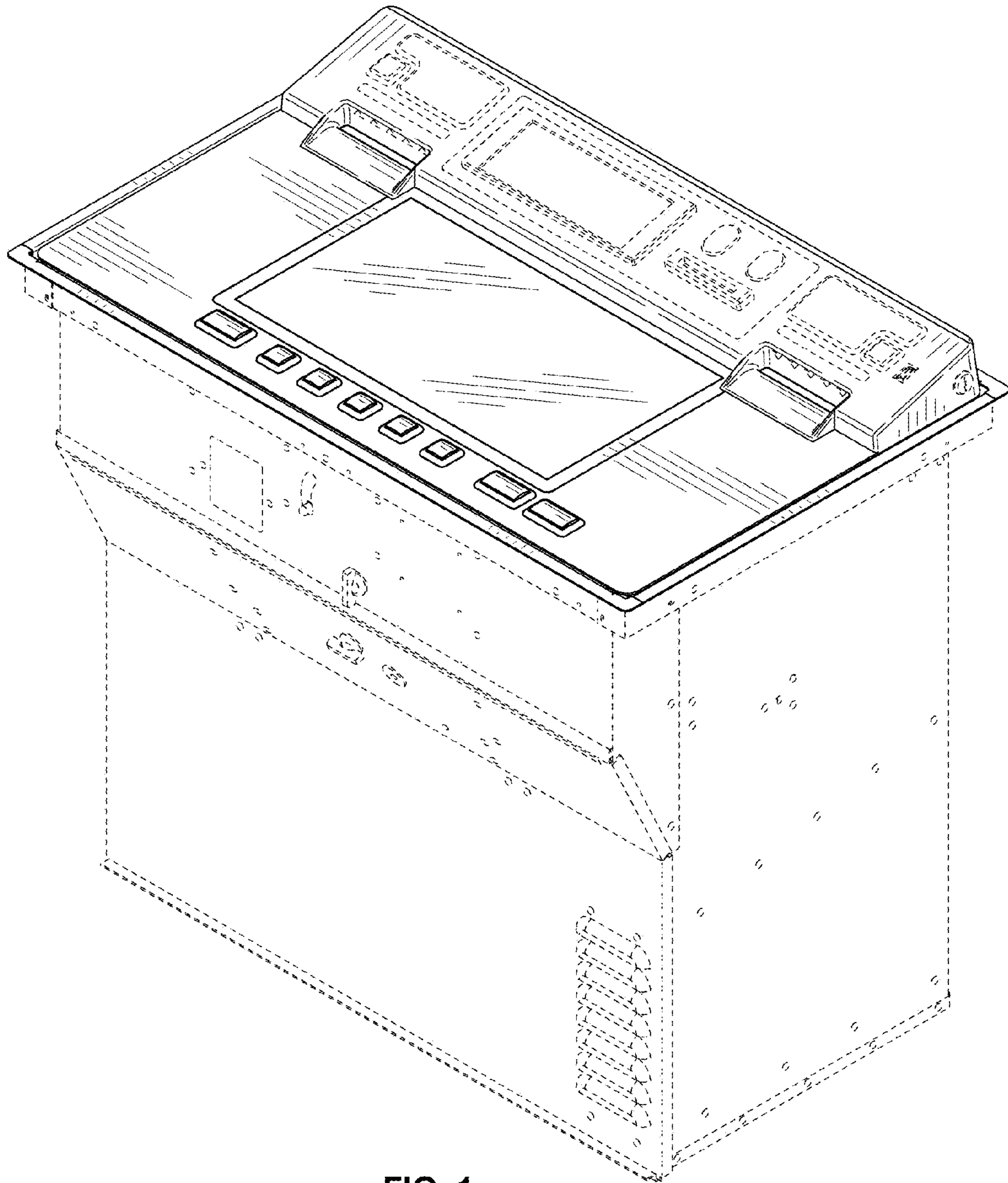


FIG. 1

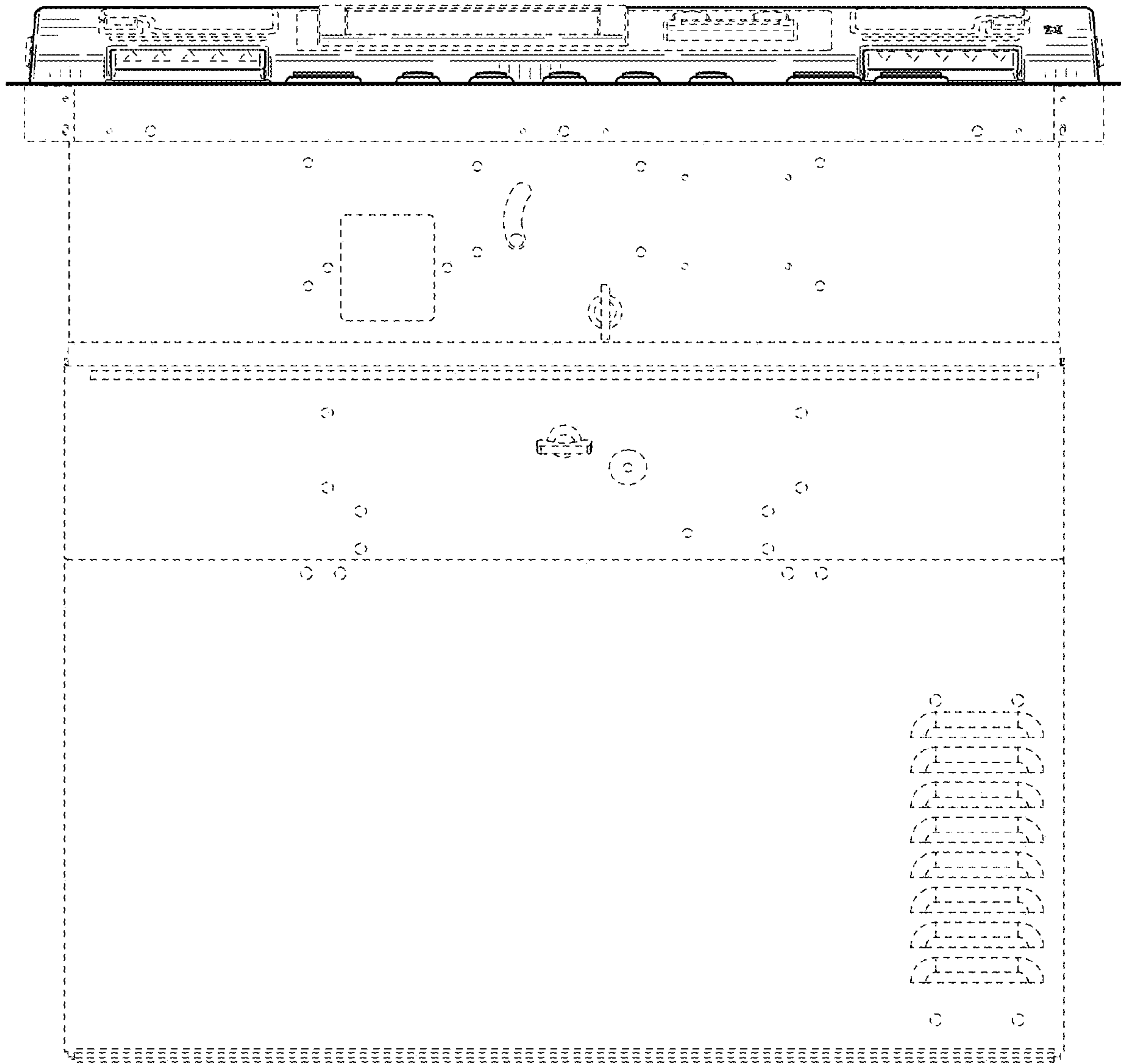


FIG. 2

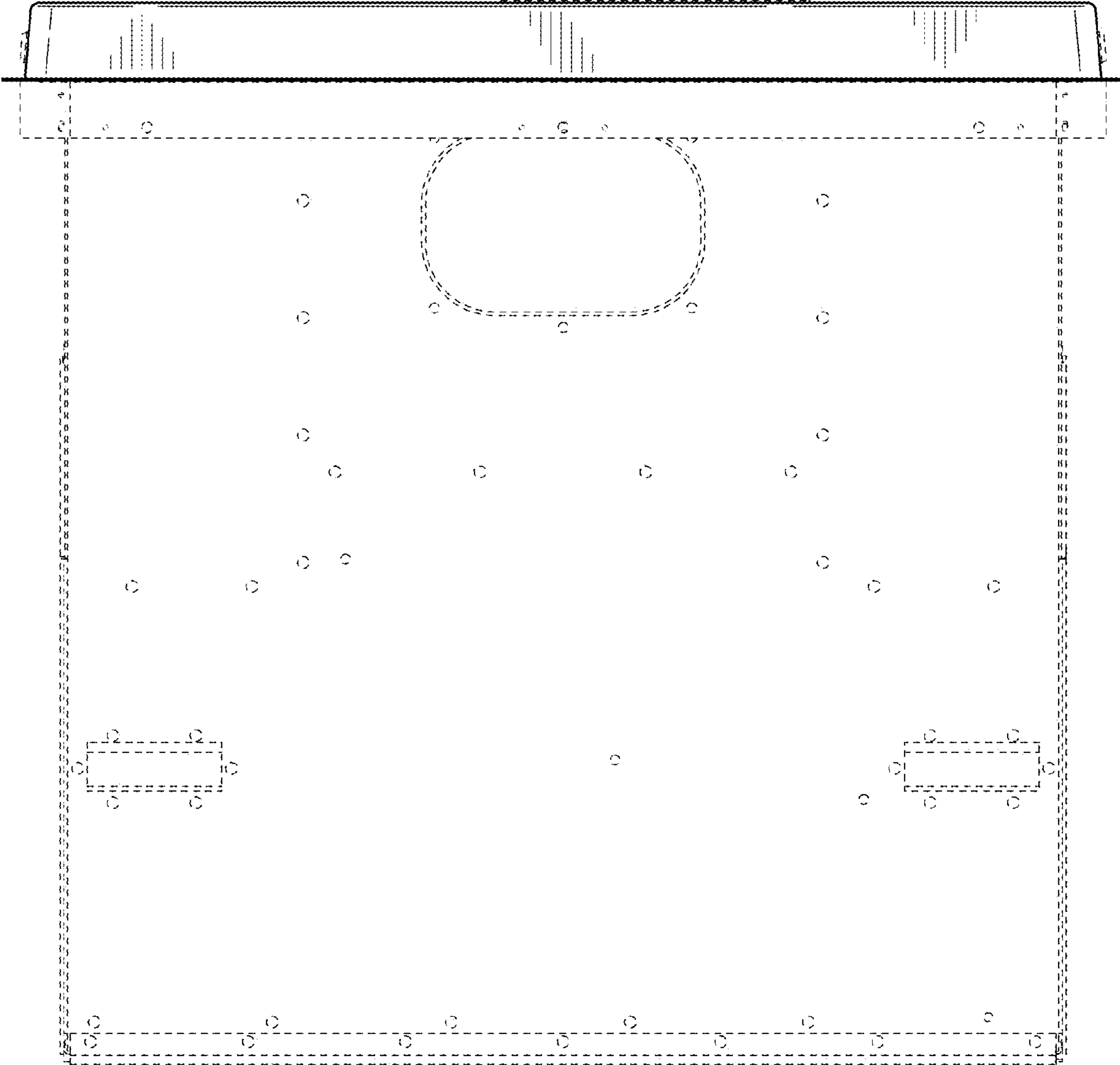


FIG. 3

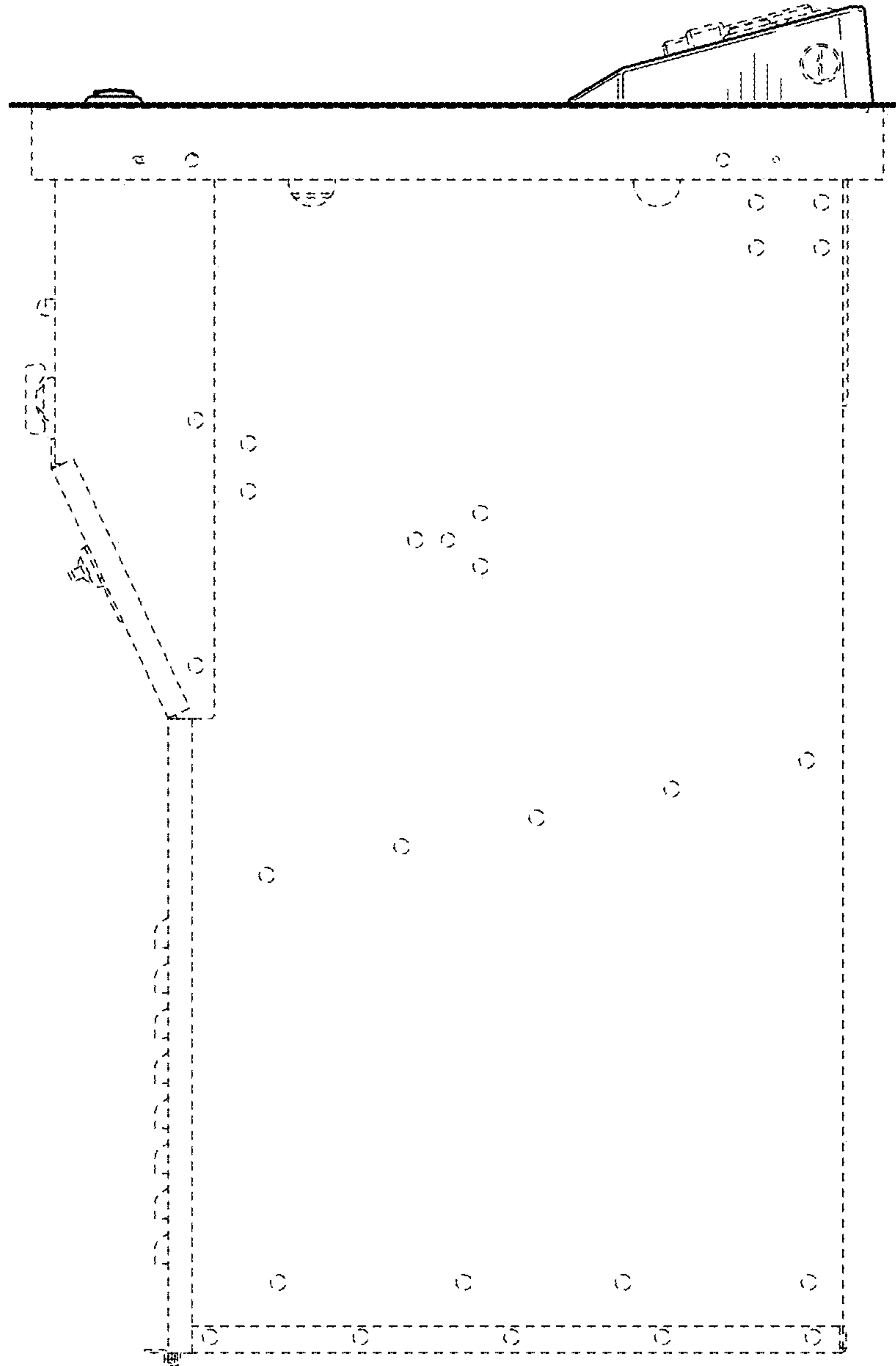


FIG. 4

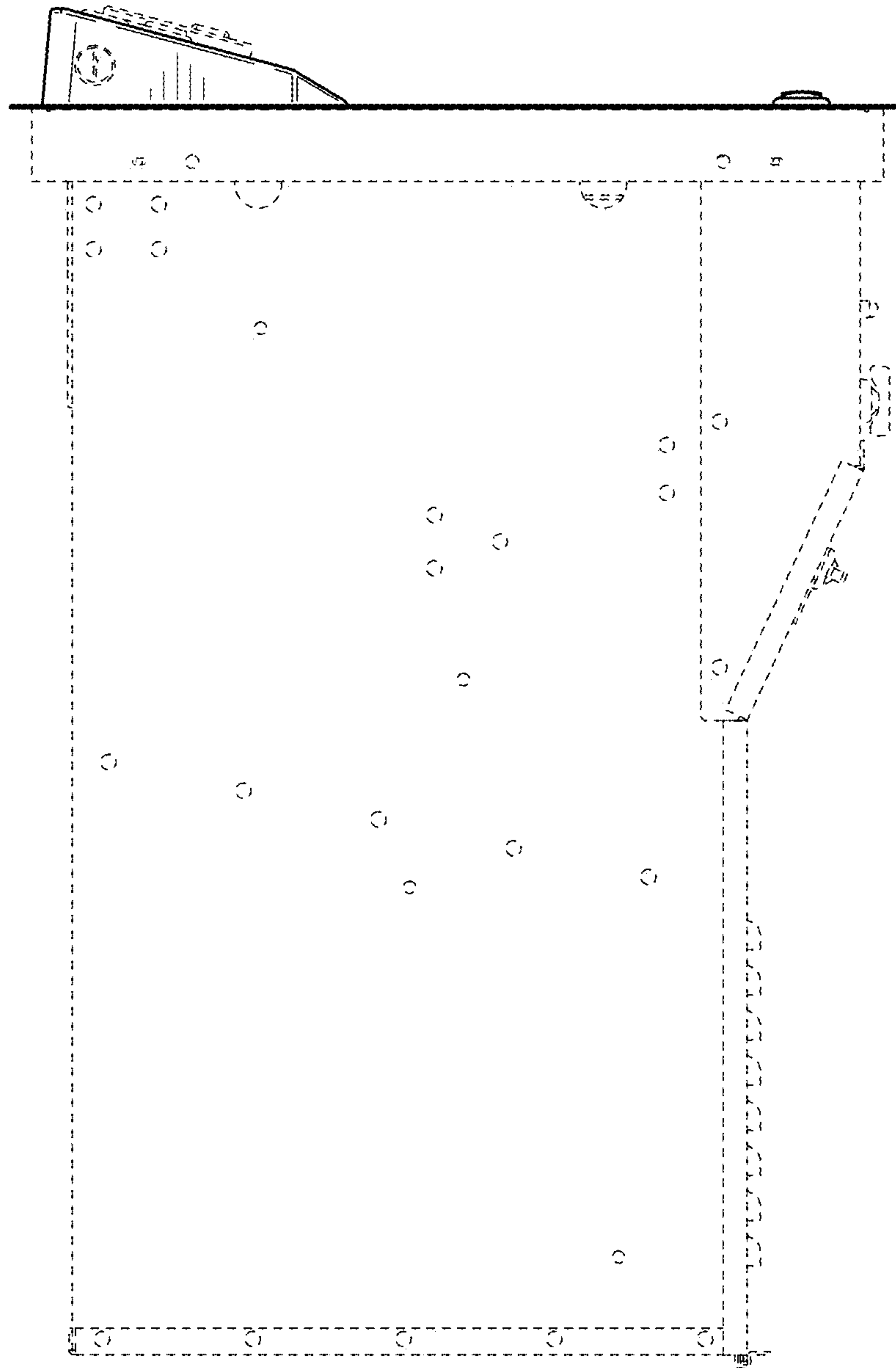


FIG. 5

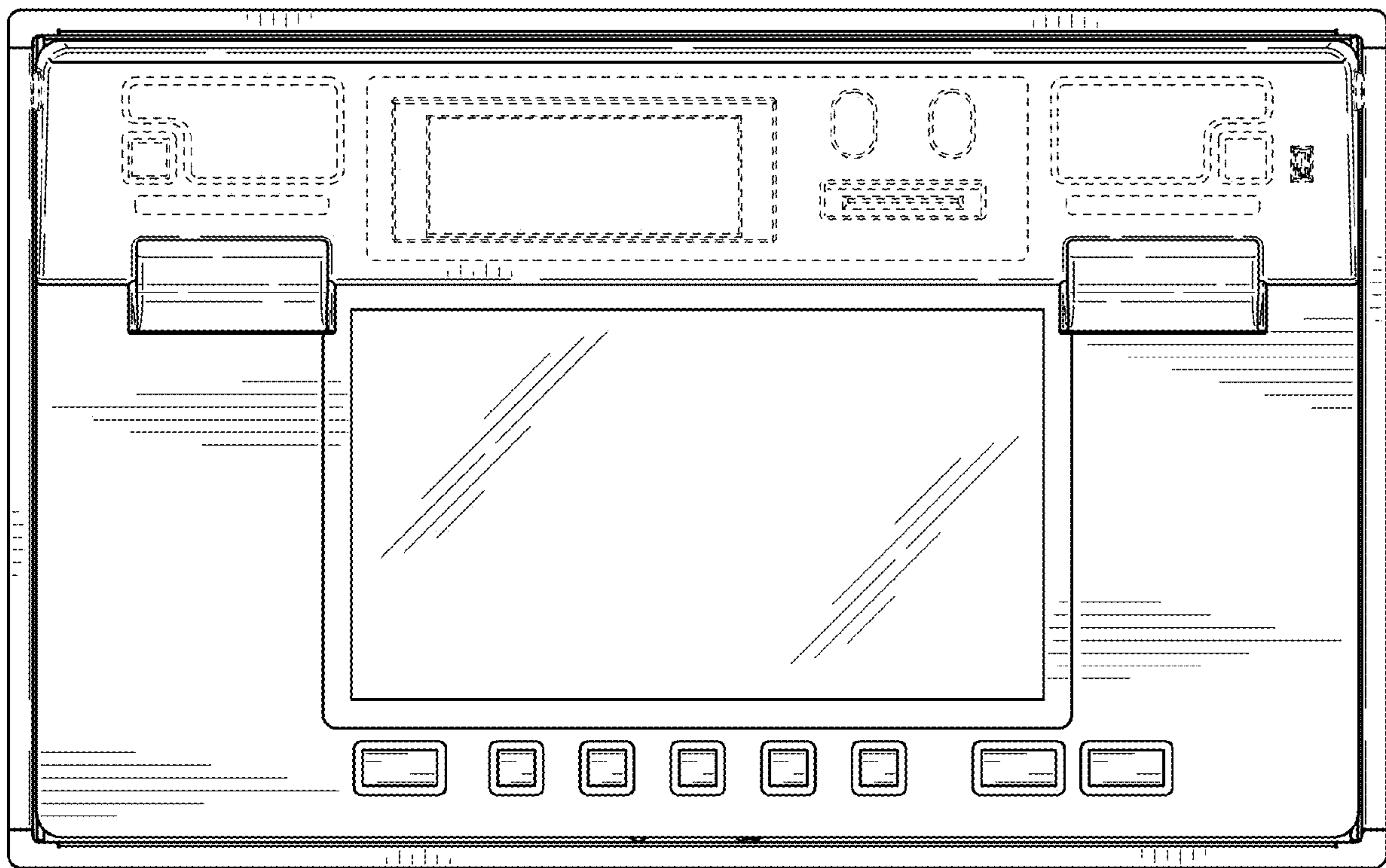


FIG. 6

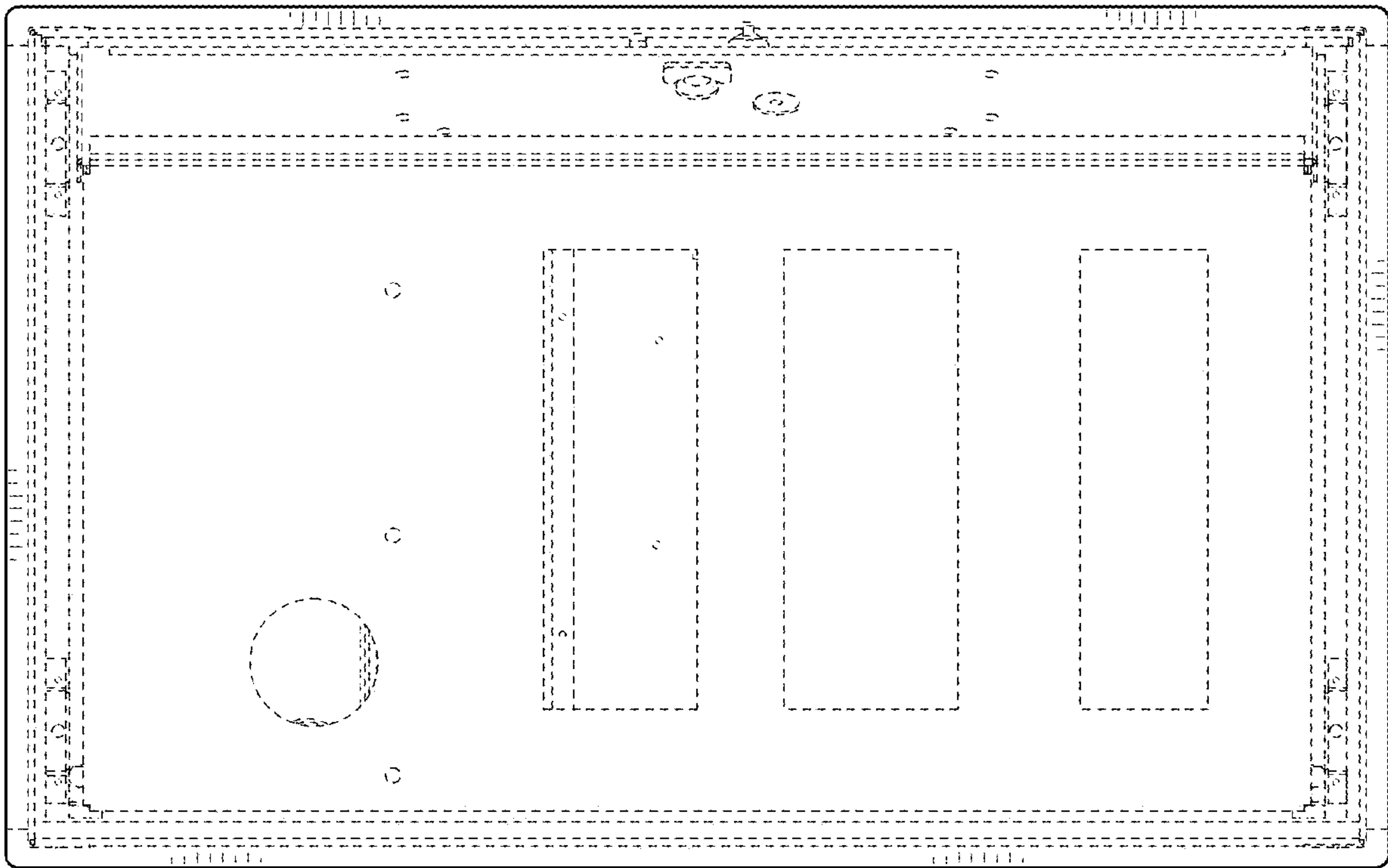


FIG. 7

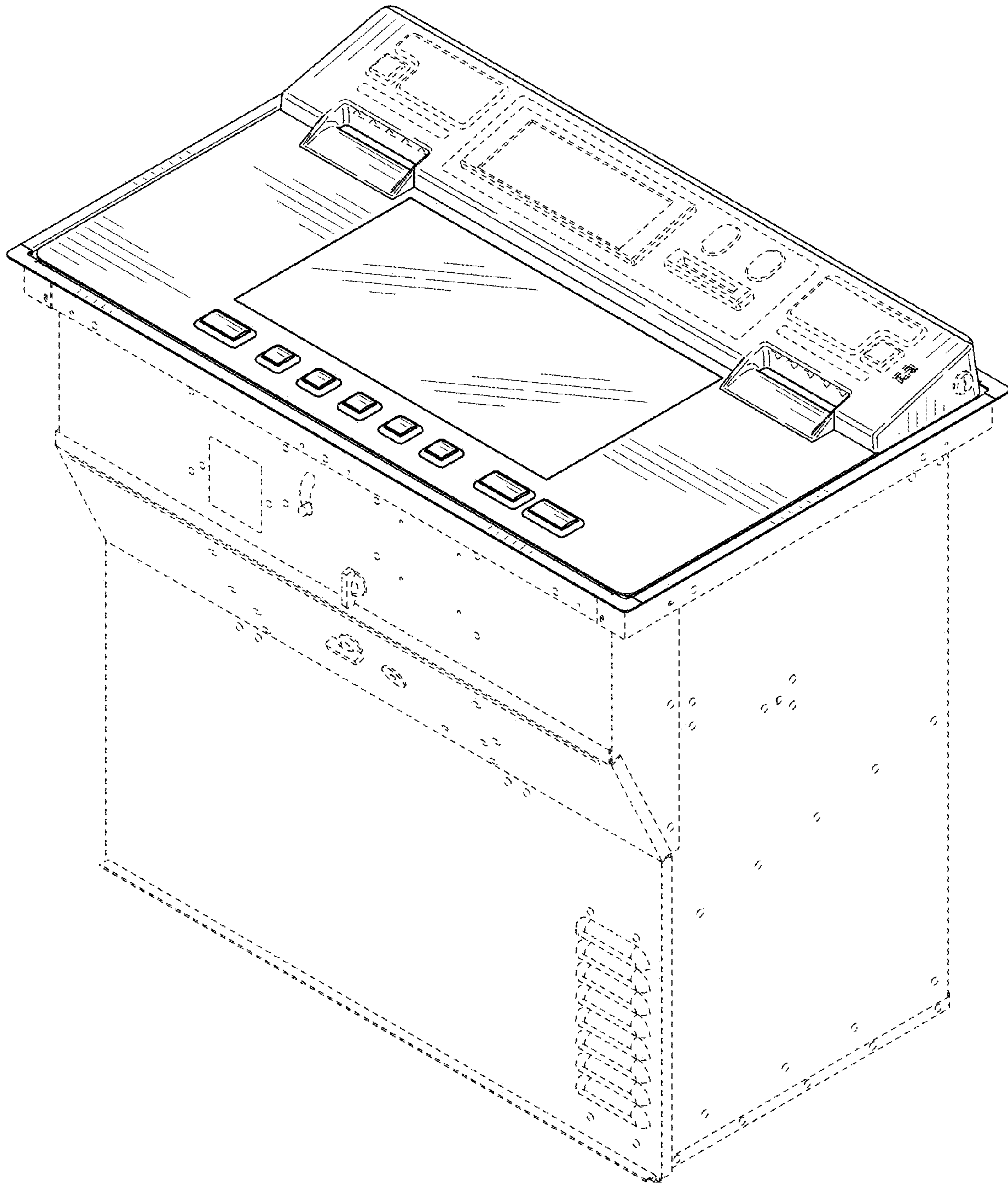


FIG. 8

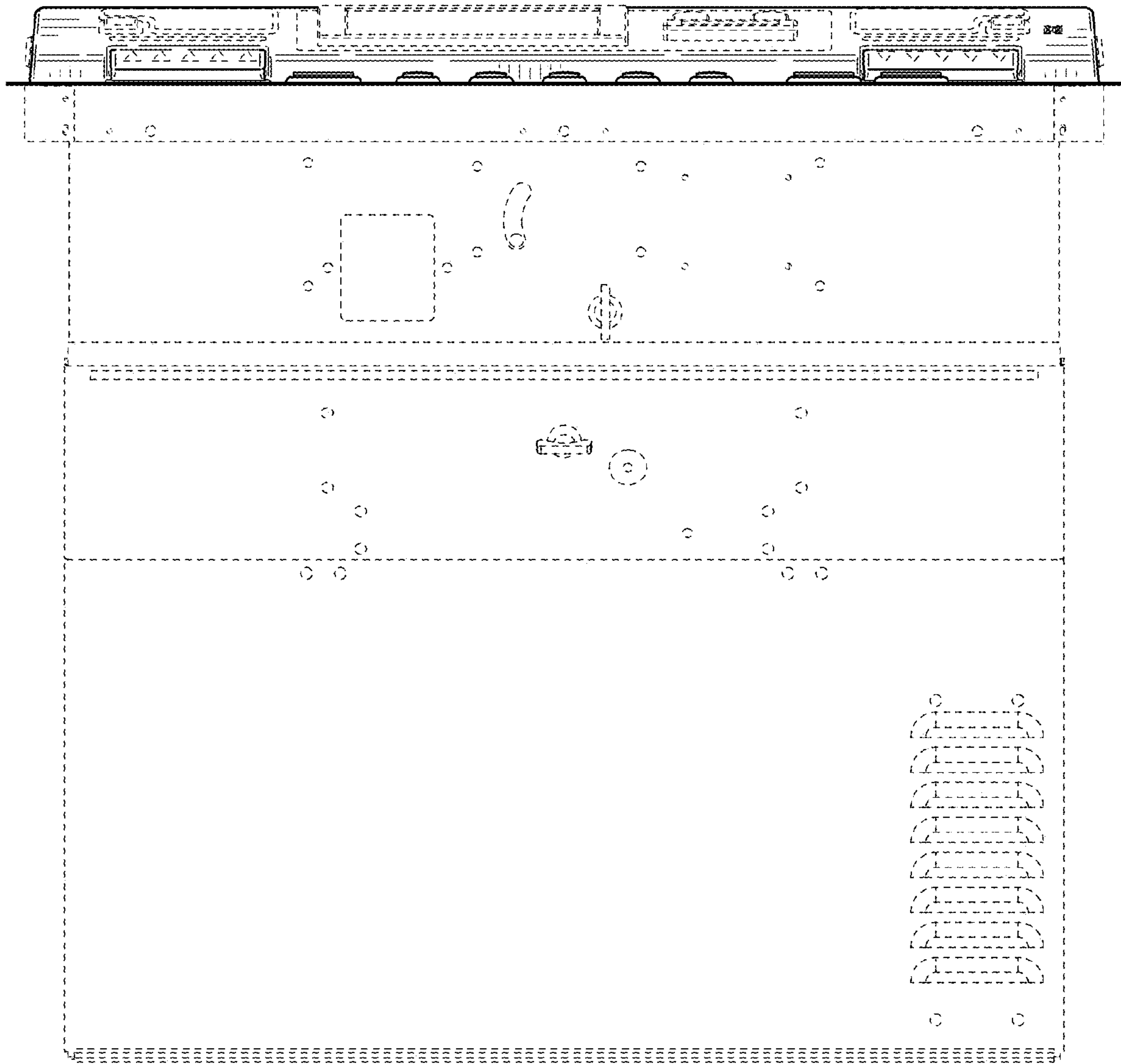


FIG. 9

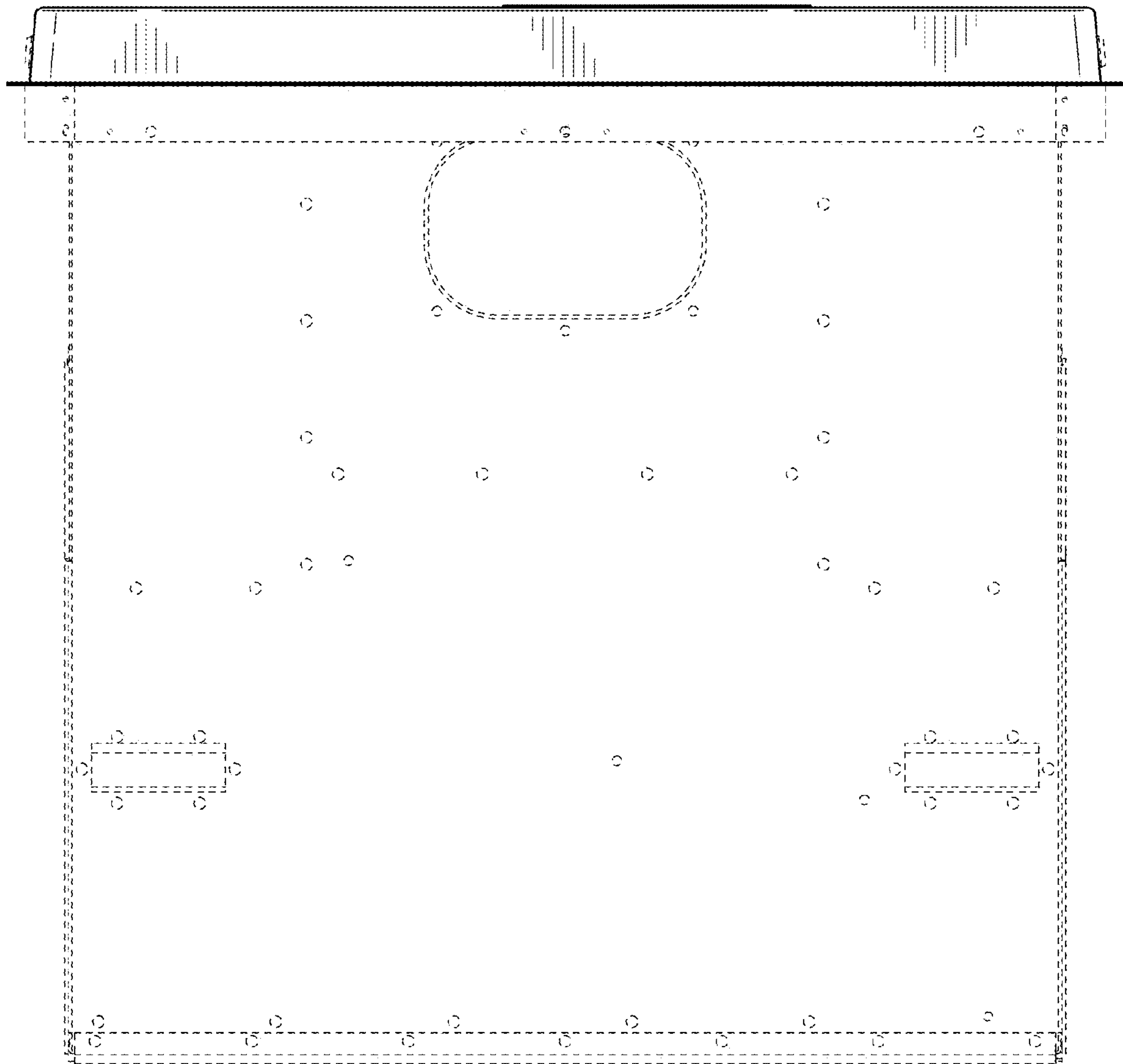


FIG. 10

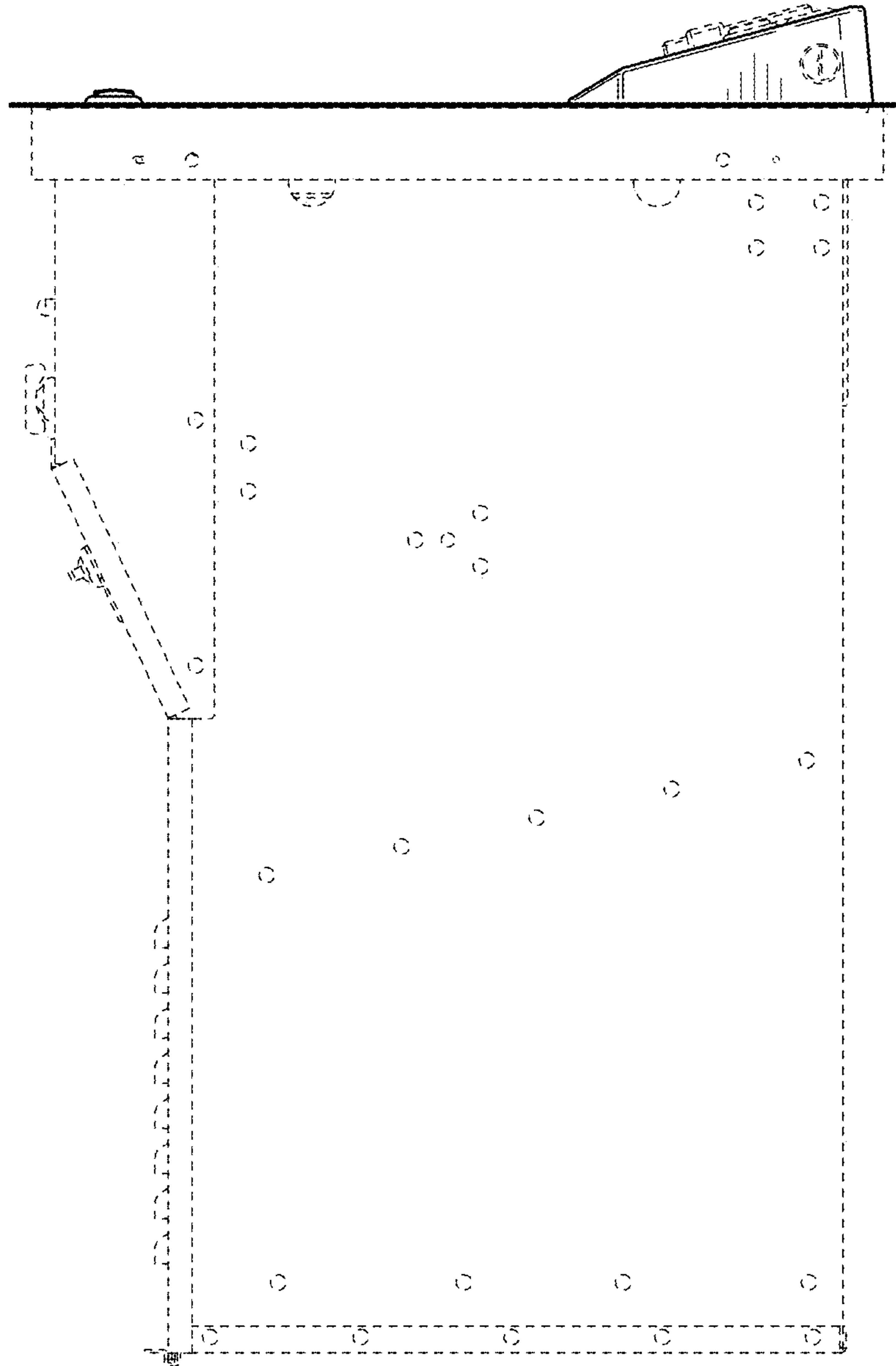


FIG. 11

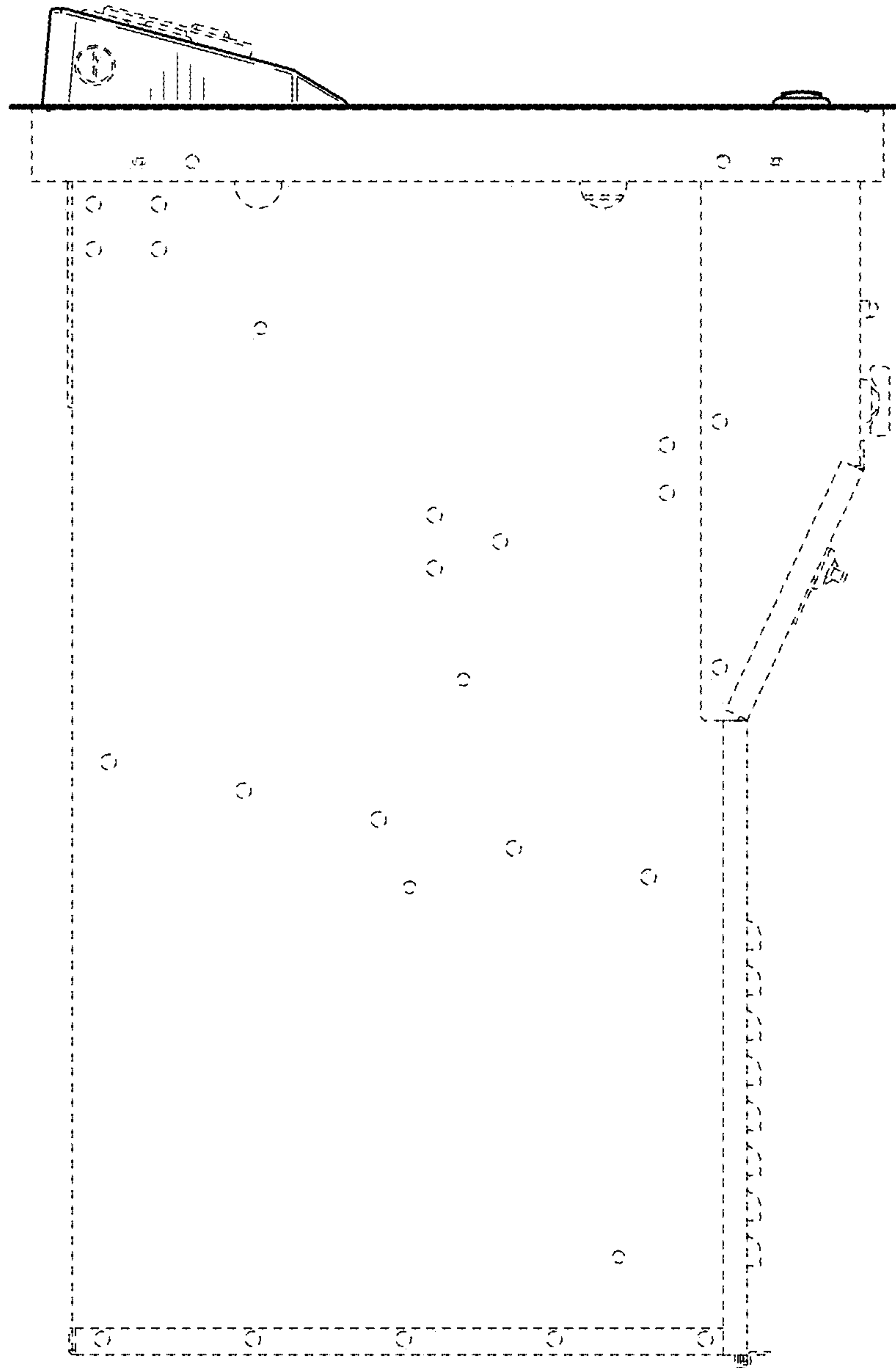


FIG. 12

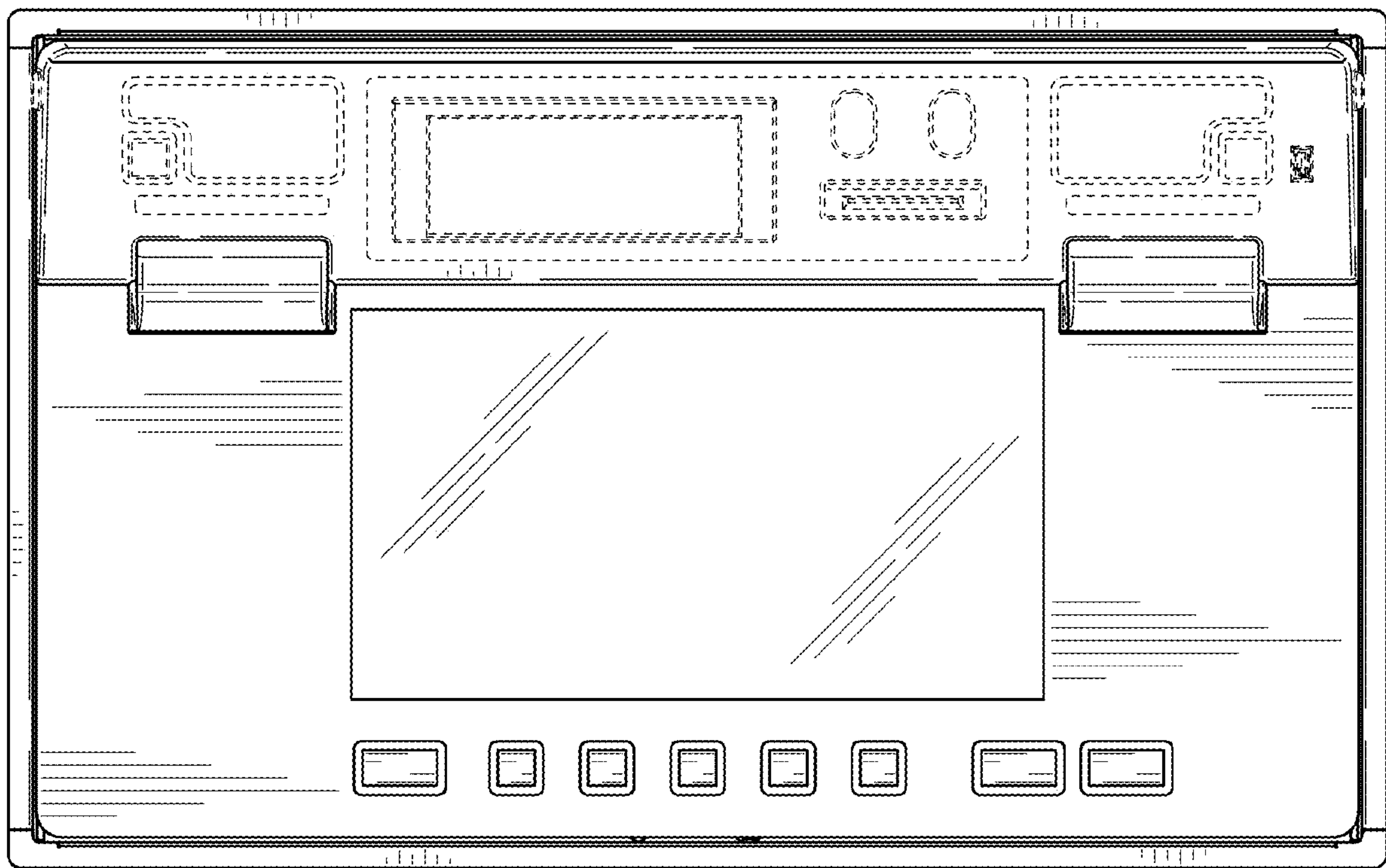


FIG. 13

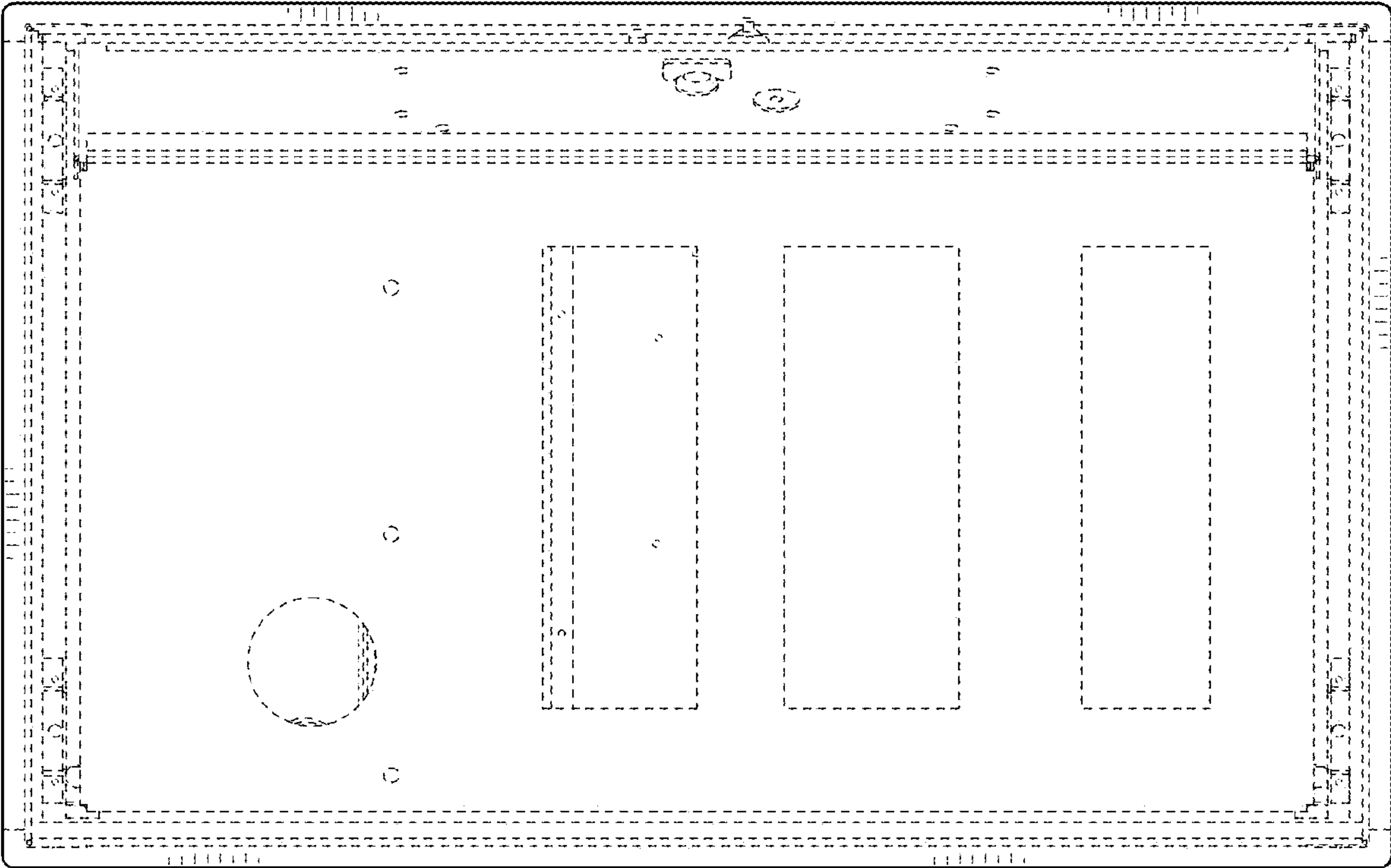


FIG. 14