



US00D954846S

(12) **United States Design Patent**
Johnson et al.

(10) **Patent No.:** **US D954,846 S**
(45) **Date of Patent:** **** Jun. 14, 2022**

(54) **GAMING MACHINE DECK**

(71) Applicant: **IGT, Las Vegas, NV (US)**

(72) Inventors: **Charles Johnson, Reno, NV (US);**
Jean-Pierre Legras, Carson City, NV
(US); James Vasquez, Carson City, NV
(US); Stewart Thoeni, Reno, NV (US)

(73) Assignee: **IGT, Las Vegas, NV (US)**

(**) Term: **15 Years**

(21) Appl. No.: **29/682,574**

(22) Filed: **Mar. 6, 2019**

(51) **LOC (13) Cl.** **21-03**

(52) **U.S. Cl.**
USPC **D21/369**

(58) **Field of Classification Search**
USPC D21/369, 307, 325, 370, 306, 385, 333;
D14/341; 463/20, 23
CPC G07F 17/34; G07F 17/32; G07F 17/3267;
G07F 17/3211; G07F 17/3213; G07F
17/3202; G07F 17/3227; A63F 9/24
See application file for complete search history.

(56) **References Cited**

U.S. PATENT DOCUMENTS

D254,249 S	2/1980	Biehl
5,813,914 A	9/1998	McKay et al.
6,688,984 B2	2/2004	Cole
6,997,810 B2	2/2006	Cole
7,267,613 B2	9/2007	Cole
D559,917 S	1/2008	Cole
7,396,282 B2	7/2008	Gauselmann
D604,368 S	11/2009	Lesley et al.
D622,780 S	8/2010	Lesley et al.
D622,781 S	8/2010	Lesley et al.
D646,336 S	10/2011	Kelly et al.
D646,337 S	10/2011	Kelly et al.
8,033,902 B2	10/2011	Wells et al.
8,216,065 B2	7/2012	Kaminkow et al.

D685,033 S *	6/2013	Wudtke	D21/370
D706,741 S *	6/2014	Myers	D14/172
D712,975 S *	9/2014	Lesley	D21/369
8,870,663 B2	10/2014	Cole		
8,974,297 B2	3/2015	Massing et al.		

(Continued)

OTHER PUBLICATIONS

“Buffalo Grand Class III slot machine—Aristocrat Technologies”,
Casino Journal (1 page), Aug. 7, 2015.

Primary Examiner — Ryan Harvey

(74) *Attorney, Agent, or Firm* — Neal, Gerber &
Eisenberg LLP

(57) **CLAIM**

The ornamental design for a gaming machine deck, as
shown and described herein.

DESCRIPTION

This application is related to the following commonly
owned co-pending patent application: U.S. application Ser.
No. 29/682,568, entitled “Gaming Machine,”.

FIG. 1 is a front top perspective view of a gaming machine
deck of our new design.

FIG. 2 is a front view of the gaming machine deck of FIG.
1.

FIG. 3 is a rear view of the gaming machine deck of FIG. 1.
FIG. 4 is a right side view of the gaming machine deck of
FIG. 1.

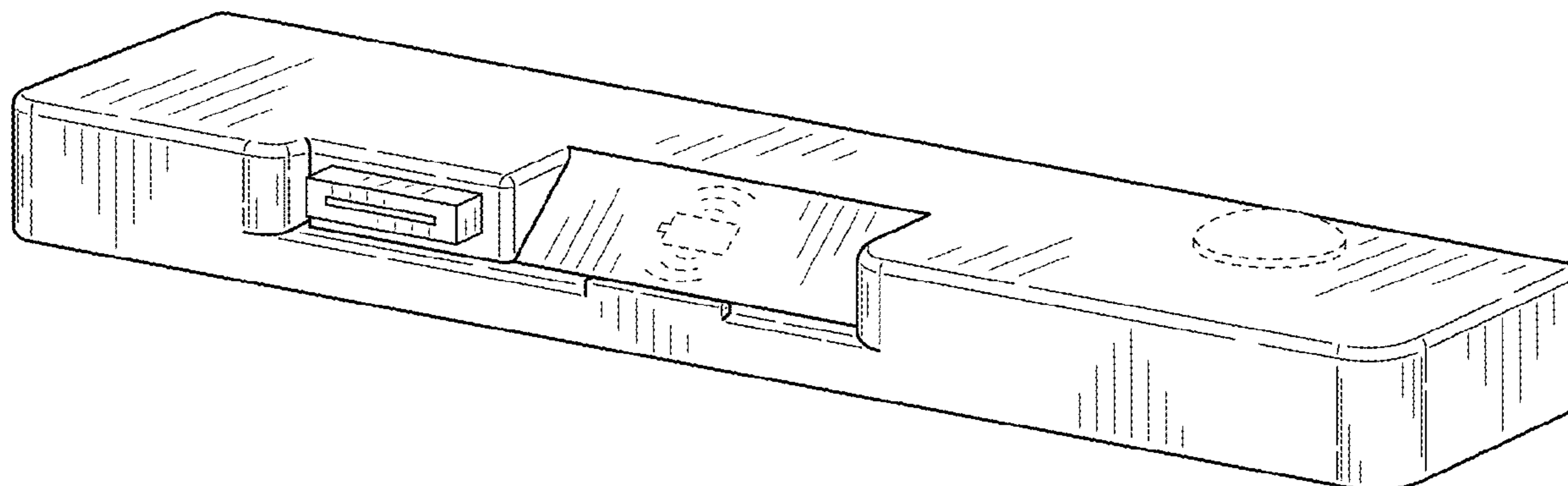
FIG. 5 is a left side view of the gaming machine deck of FIG.
1.

FIG. 6 is a top view of the gaming machine deck of FIG. 1;
and,

FIG. 7 is a bottom view of the gaming machine deck of FIG.
1.

The portions shown in phantom are not part of the claimed
design.

1 Claim, 2 Drawing Sheets



(56)

References Cited

U.S. PATENT DOCUMENTS

9,224,268	B2	12/2015	Aoki et al.	
RE46,169	E	10/2016	Kelly et al.	
D812,147	S	3/2018	Castro et al.	
D812,148	S	3/2018	Castro et al.	
D812,149	S	3/2018	Castro et al.	
D819,747	S	6/2018	Castro et al.	
D820,915	S *	6/2018	Lee	D21/369
D842,930	S	3/2019	Johnson et al.	
D843,467	S	3/2019	Johnson et al.	
D843,468	S	3/2019	Johnson et al.	
D843,474	S *	3/2019	Lesley	D21/369
D843,475	S *	3/2019	Lesley	D21/369
D843,476	S *	3/2019	Lesley	D21/369
D882,696	S *	4/2020	Lesley	D21/369
D882,697	S *	4/2020	Lesley	D21/369
D882,698	S *	4/2020	Lesley	D21/369
D895,019	S *	9/2020	Lesley	D21/369
D923,102	S *	6/2021	McGahn	D21/370
D934,347	S *	10/2021	Ocampo	D21/370
D934,953	S *	11/2021	Kaminkow	D21/300
2006/0046849	A1	3/2006	Kovacs	
2008/0182652	A1	7/2008	Rasmussen et al.	
2009/0221375	A1	9/2009	Luciano et al.	
2009/0233681	A1	9/2009	Tsukahara	
2018/0075689	A1 *	3/2018	Castro	A63F 13/24
2018/0078854	A1	3/2018	Achmueller et al.	
2018/0089960	A1	3/2018	Caputo et al.	
2019/0046872	A1 *	2/2019	Glenn, II	A63F 13/25
2019/0066433	A1 *	2/2019	Jadeja	G07F 17/3211
2019/0318575	A1	10/2019	Nelson et al.	
2021/0134109	A1 *	5/2021	Hemerick	G07F 17/3223

* cited by examiner

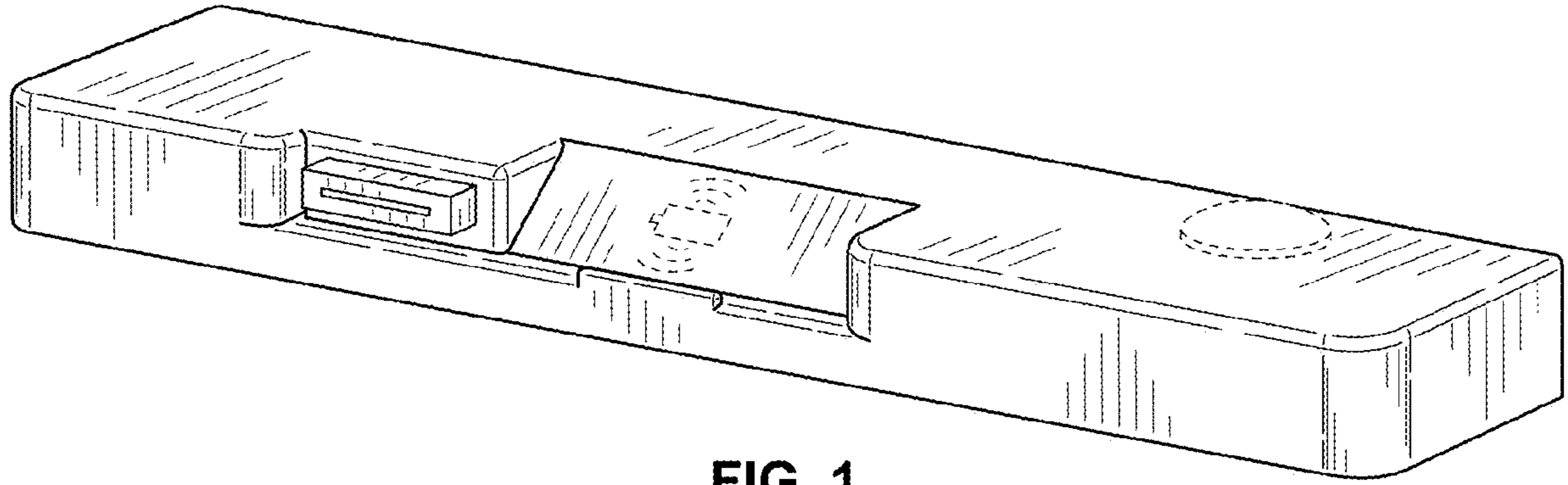


FIG. 1

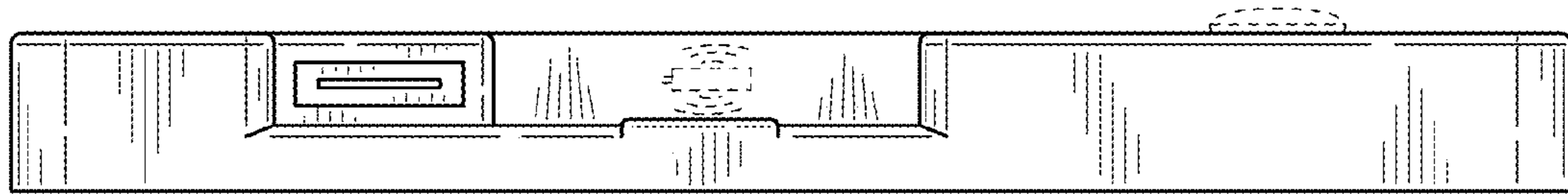


FIG. 2

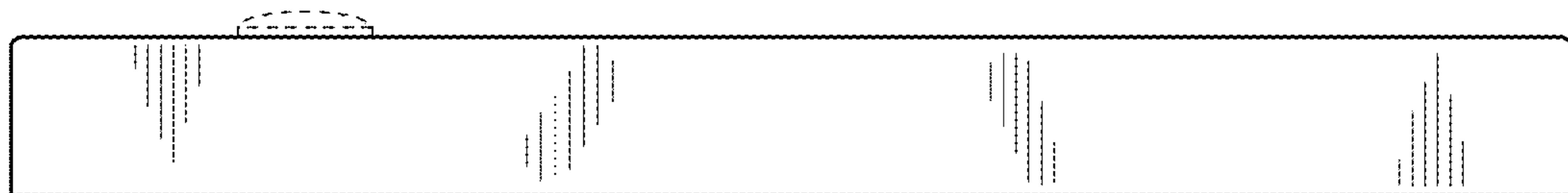


FIG. 3

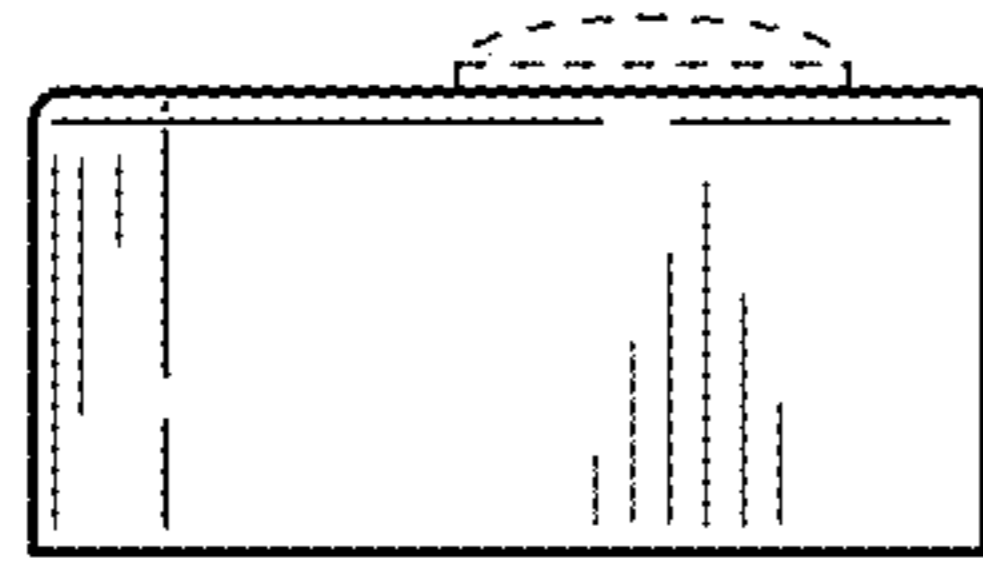


FIG. 4

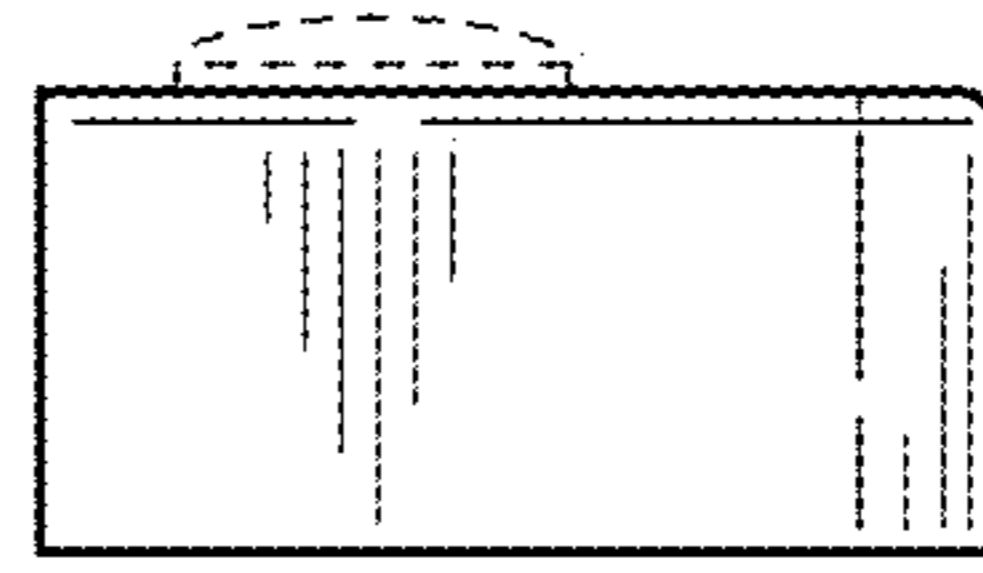


FIG. 5

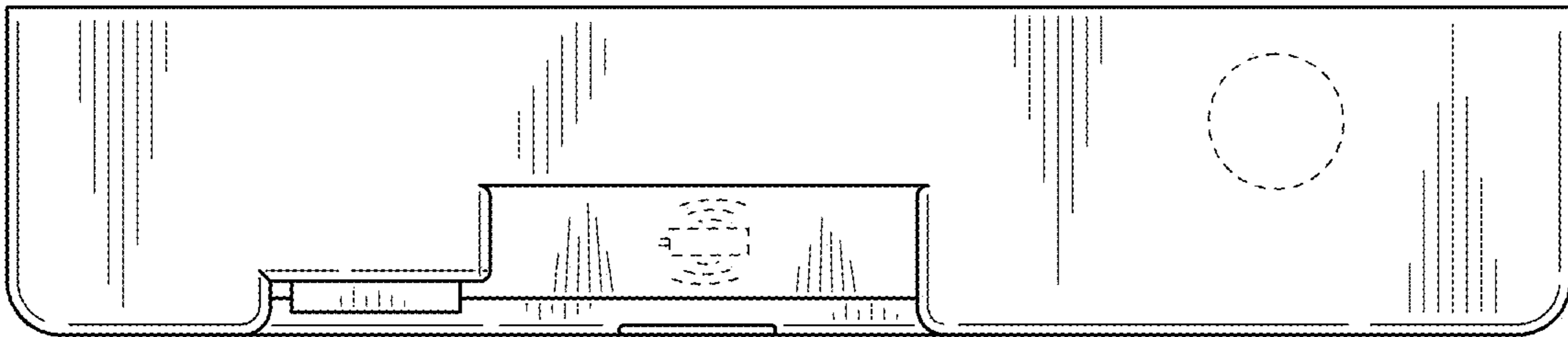


FIG. 6

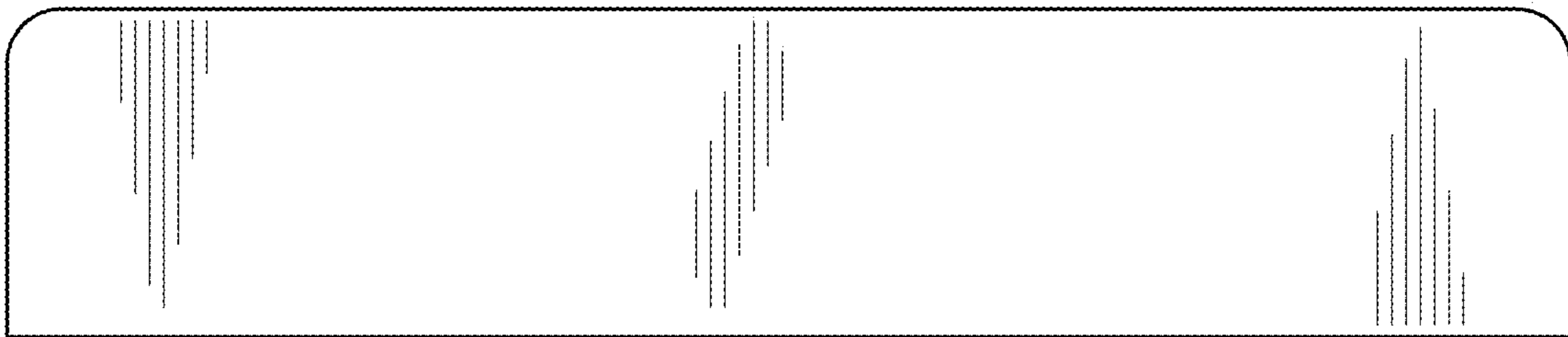


FIG. 7