



US00D954844S

(12) **United States Design Patent** (10) **Patent No.:** **US D954,844 S**
Rosander et al. (45) **Date of Patent:** **** Jun. 14, 2022**

(54) **GAMING MACHINE**
(71) Applicant: **IGT, Las Vegas, NV (US)**
(72) Inventors: **Tai Rosander, Reno, NV (US);**
Charles Johnson, Reno, NV (US);
Jean-Pierre Legras, Carson City, NV
(US)
(73) Assignee: **IGT, Las Vegas, NV (US)**
(**) Term: **15 Years**

8,033,902 B2 10/2011 Wells et al.
8,216,065 B2 7/2012 Kaminkow et al.
D685,033 S * 6/2013 Wudtke D21/370
D706,741 S * 6/2014 Myers D14/172
D707,646 S * 6/2014 Kim D14/138 G
D712,975 S * 9/2014 Lesley D21/369
D713,841 S * 9/2014 Lim D14/341
8,870,663 B2 10/2014 Cole
8,974,297 B2 3/2015 Massing et al.
9,224,268 B2 12/2015 Aoki et al.
RE46,169 E 10/2016 Kelly et al.
D812,146 S * 3/2018 Castro D21/369

(Continued)

(21) Appl. No.: **29/682,426**
(22) Filed: **Mar. 5, 2019**
(51) **LOC (13) Cl.** **21-02**
(52) **U.S. Cl.**
USPC **D21/369**
(58) **Field of Classification Search**
USPC D21/369, 307, 325, 370, 306, 385, 333;
D14/341; 463/20, 23
CPC G07F 17/34; G07F 17/32; G07F 17/3267;
G07F 17/3211; G07F 17/3213; G07F
17/3202; G07F 17/3227; A63F 9/24
See application file for complete search history.

OTHER PUBLICATIONS

“Buffalo Grand Class III slot machine—Aristocrat Technologies”,
Casino Journal (1 page), Aug. 7, 2015.

Primary Examiner — Ryan Harvey
(74) *Attorney, Agent, or Firm* — Neal, Gerber &
Eisenberg LLP

(57) **CLAIM**

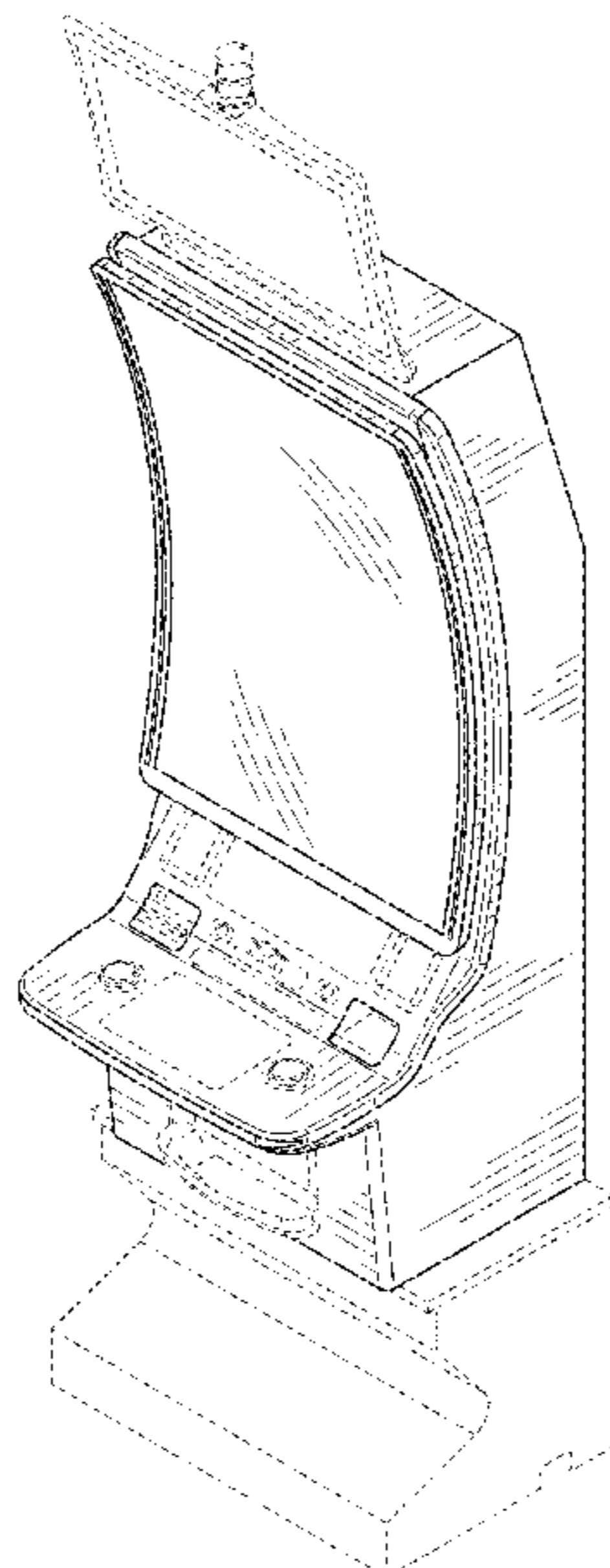
The ornamental design for a gaming machine, as shown and
described herein.

DESCRIPTION

FIG. 1 is a front perspective view of a gaming machine of
our new design.
FIG. 2 is a front view of the gaming machine of FIG. 1.
FIG. 3 is a rear view of the gaming machine of FIG. 1.
FIG. 4 is a right side view of the gaming machine of FIG.
1.
FIG. 5 is a left side view of the gaming machine of FIG. 1.
FIG. 6 is a top view of the gaming machine of FIG. 1; and,
FIG. 7 is a bottom view of the gaming machine of FIG. 1.
The portions shown in phantom are not part of the claimed
design.

1 Claim, 7 Drawing Sheets

(56) **References Cited**
U.S. PATENT DOCUMENTS
D254,249 S 2/1980 Biehl
5,813,914 A 9/1998 Mckay et al.
6,688,984 B2 2/2004 Cole
6,997,810 B2 2/2006 Cole
7,267,613 B2 9/2007 Cole
D559,917 S 1/2008 Cole
7,396,282 B2 7/2008 Gauselmann
D604,368 S 11/2009 Lesley et al.
D622,780 S 8/2010 Lesley et al.
D622,781 S 8/2010 Lesley et al.
D646,336 S 10/2011 Kelly et al.
D646,337 S 10/2011 Kelly et al.



(56)

References Cited

U.S. PATENT DOCUMENTS

D812,147 S	3/2018	Castro et al.	
D812,148 S	3/2018	Castro et al.	
D812,149 S	3/2018	Castro et al.	
D813,954 S *	3/2018	Calhoun	D21/369
D819,747 S	6/2018	Castro et al.	
D820,915 S *	6/2018	Lee	D21/369
D842,930 S	3/2019	Johnson et al.	
D842,933 S *	3/2019	Castro	D21/396
D843,458 S *	3/2019	Castro	D21/369
D843,467 S	3/2019	Johnson et al.	
D843,468 S	3/2019	Johnson et al.	
D843,473 S *	3/2019	Zedell, Jr.	D21/369
D843,474 S *	3/2019	Lesley	D21/369
D843,475 S *	3/2019	Lesley	D21/369
D843,476 S *	3/2019	Lesley	D21/369
D843,477 S *	3/2019	Lesley	D21/369
D843,478 S *	3/2019	Lesley	D21/369
D843,479 S *	3/2019	Castro	D21/369
D843,480 S *	3/2019	Castro	D21/369
D843,482 S *	3/2019	Holland	D21/396
D844,062 S *	3/2019	Lesley	D21/369
D850,536 S *	6/2019	Stair	D21/370
D866,667 S *	11/2019	Stair	D21/369
D871,506 S *	12/2019	Castro	D21/369
D872,190 S *	1/2020	Zedell, Jr.	D21/369
10,580,252 B2 *	3/2020	Whelan	G07F 17/3213
D880,606 S *	4/2020	Glenn, II	D21/369
D881,285 S *	4/2020	Glenn	D21/369
D882,696 S *	4/2020	Lesley	D21/369
D882,697 S *	4/2020	Lesley	D21/369
D882,698 S *	4/2020	Lesley	D21/369
D890,264 S *	7/2020	Johnson	D21/369
D890,265 S *	7/2020	Johnson	D21/369
D890,850 S *	7/2020	Johnson	D21/369
D893,631 S *	8/2020	Glinka	D21/369
D894,285 S *	8/2020	Glenn	D21/369
D896,312 S *	9/2020	Castro	D21/369
D896,313 S *	9/2020	Castro	D21/369
D896,314 S *	9/2020	Castro	D21/369
D896,315 S *	9/2020	Castro	D21/369
D898,128 S *	10/2020	Urban	D21/369
D904,522 S *	12/2020	Kim	D21/369
D904,915 S *	12/2020	Gong	D10/108
D905,172 S *	12/2020	Zedell, Jr.	D21/369
D906,433 S *	12/2020	DeMarco	D21/369
D907,123 S *	1/2021	DeMarco	D21/369
D907,125 S *	1/2021	DeMarco	D21/369
D907,126 S *	1/2021	DeMarco	D21/369
D907,710 S *	1/2021	DeMarco	D21/369
D907,712 S *	1/2021	DeMarco	D21/369
D907,714 S *	1/2021	DeMarco	D21/369
D907,715 S *	1/2021	DeMarco	D21/369
D907,716 S *	1/2021	DeMarco	D21/369
D908,802 S *	1/2021	Holland	D21/369
D909,479 S *	2/2021	DeMarco	D21/324
D910,116 S *	2/2021	Castro	D21/369
D910,117 S *	2/2021	DeMarco	D21/369
D910,118 S *	2/2021	DeMarco	D21/369
D910,120 S *	2/2021	DeMarco	D21/369
D910,762 S *	2/2021	DeMarco	D21/369
D910,763 S *	2/2021	DeMarco	D21/369
D911,451 S *	2/2021	Ortiz De Viveiros	D21/369
D913,378 S *	3/2021	Glenn, II	D21/369
D918,303 S *	5/2021	DeMarco	D21/369
D926,889 S *	8/2021	Bruzzese	D21/369
D934,347 S *	10/2021	Ocampo	D21/370
2008/0182652 A1	7/2008	Rasmussen et al.	
2009/0221375 A1	9/2009	Luciano et al.	
2009/0233681 A1	9/2009	Tsukahara	
2015/0310699 A1 *	10/2015	Meyer	G07F 17/34 463/20
2016/0093143 A1 *	3/2016	Lamb	G07F 17/3213 463/20
2017/0039802 A1 *	2/2017	Prabhu	G07F 17/3211
2018/0053373 A1 *	2/2018	Goldstein	G07F 17/3216
2018/0078854 A1	3/2018	Achmueller et al.	
2018/0089960 A1	3/2018	Caputo et al.	
2019/0012874 A1 *	1/2019	Goldstein	G07F 17/3211
2019/0096161 A1 *	3/2019	Barbour	G07F 17/3216
2019/0096171 A1 *	3/2019	Patel	E05D 5/06
2019/0197818 A1 *	6/2019	Rosander	G07F 17/3211
2019/0197824 A1 *	6/2019	Timperley	G07F 17/3227
2019/0311570 A1 *	10/2019	Lamb	G07F 17/3213
2020/0111295 A1 *	4/2020	Glenn	G07F 17/3211
2020/0111299 A1 *	4/2020	Baker	G07F 17/3211
2020/0320827 A1 *	10/2020	Chan	G07F 17/3258
2021/0110642 A1 *	4/2021	Ocampo	G07F 17/3216
2021/0134109 A1 *	5/2021	Hemerick	G07F 17/3223
2021/0209893 A1 *	7/2021	Rye	G07F 17/3211

* cited by examiner

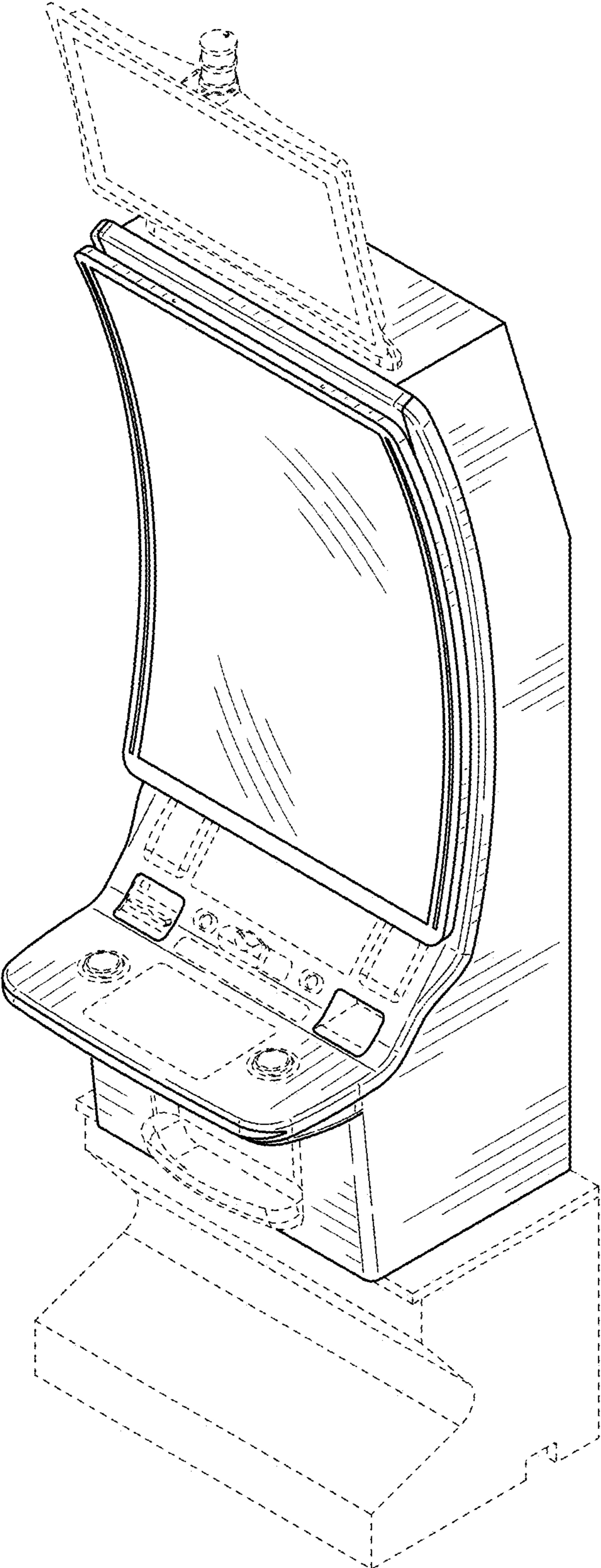


FIG. 1

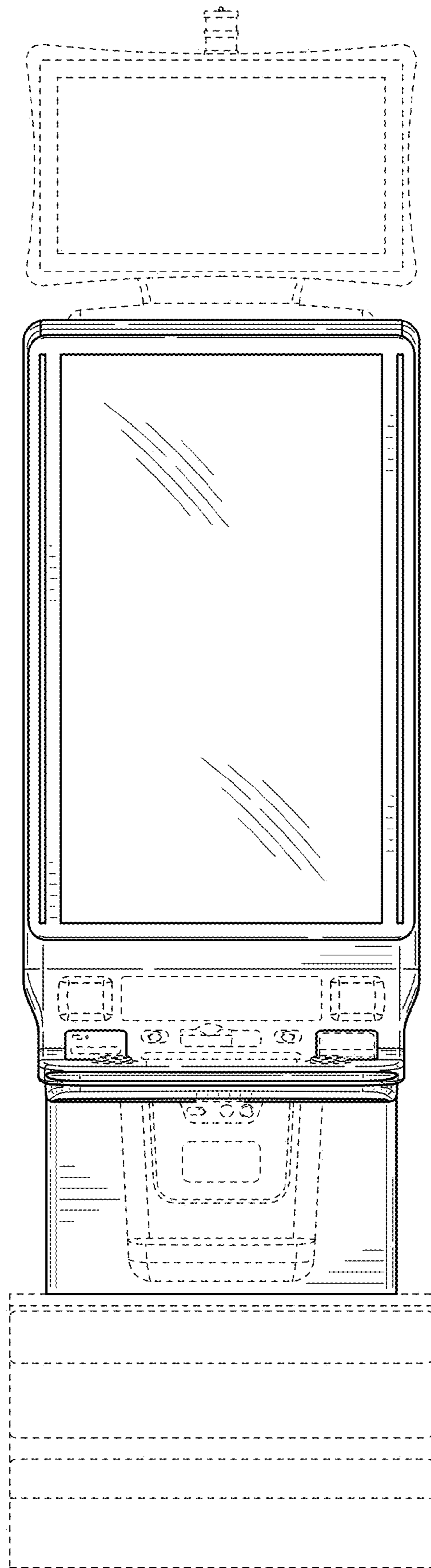


FIG. 2

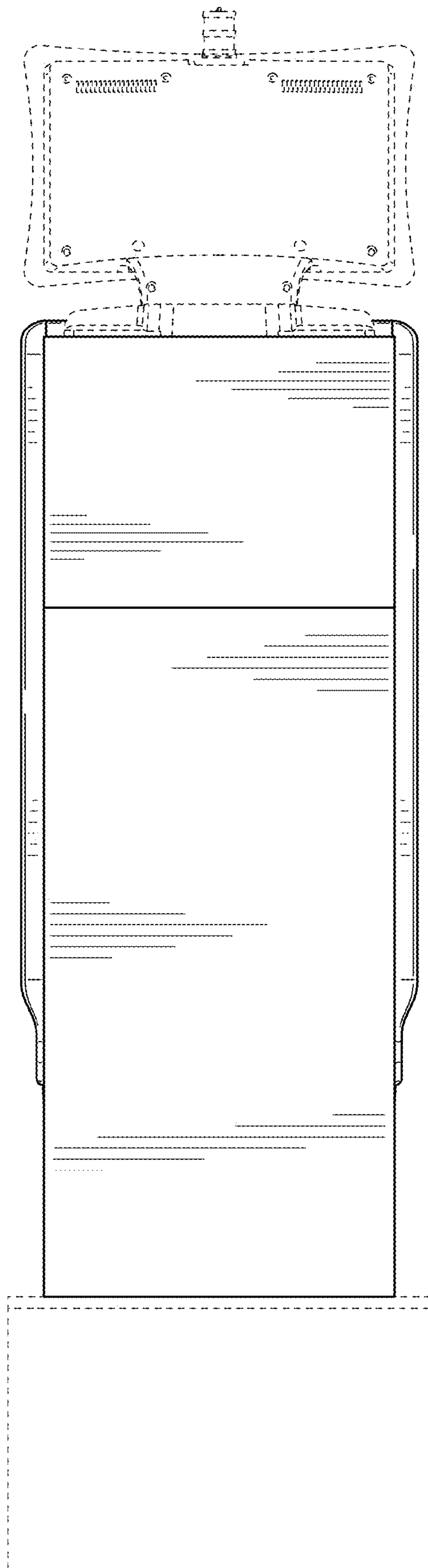


FIG. 3

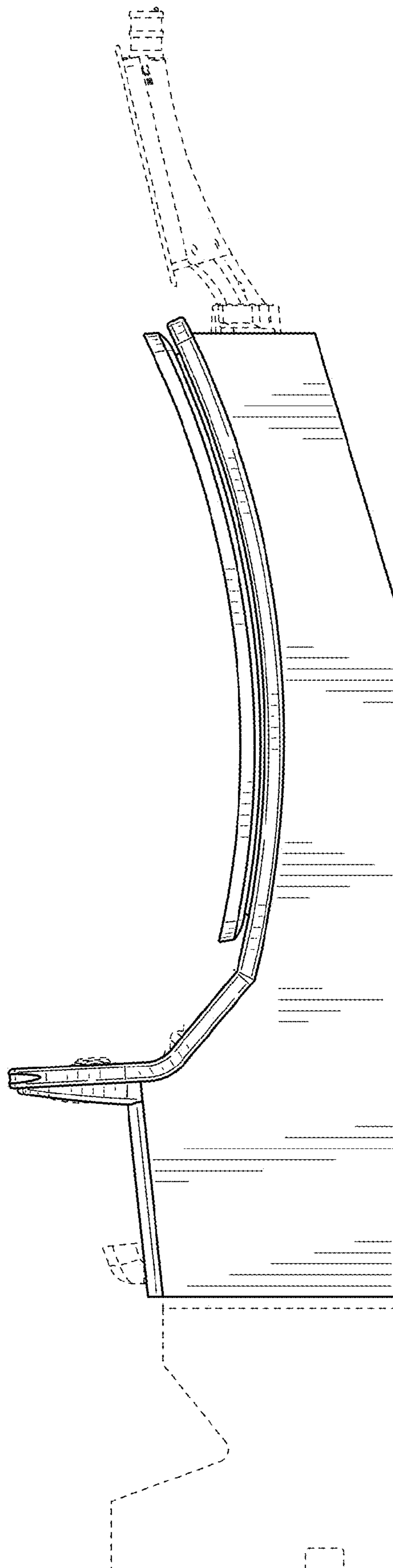


FIG. 4

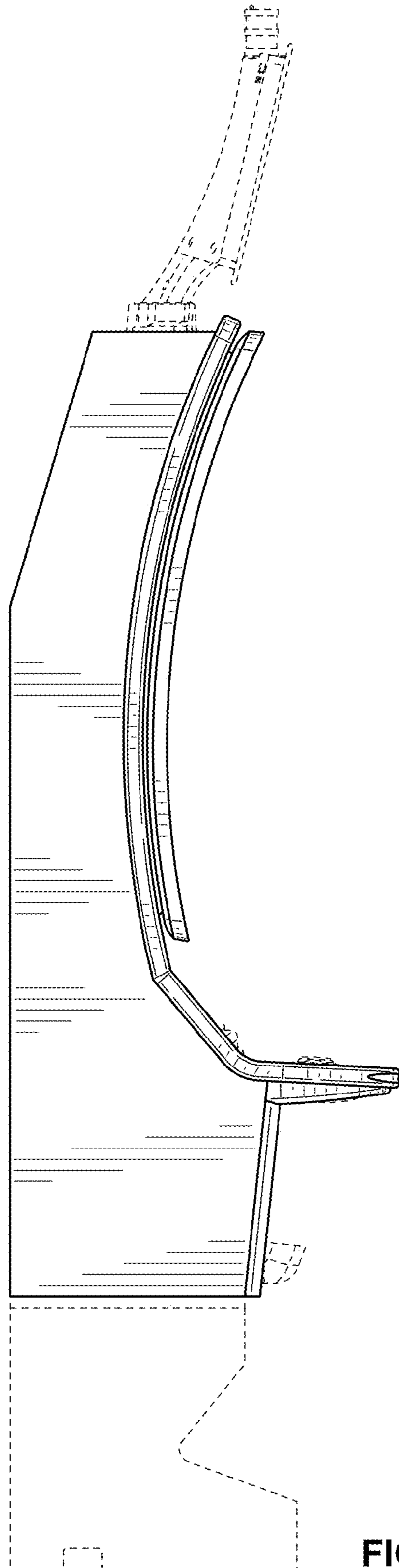


FIG. 5

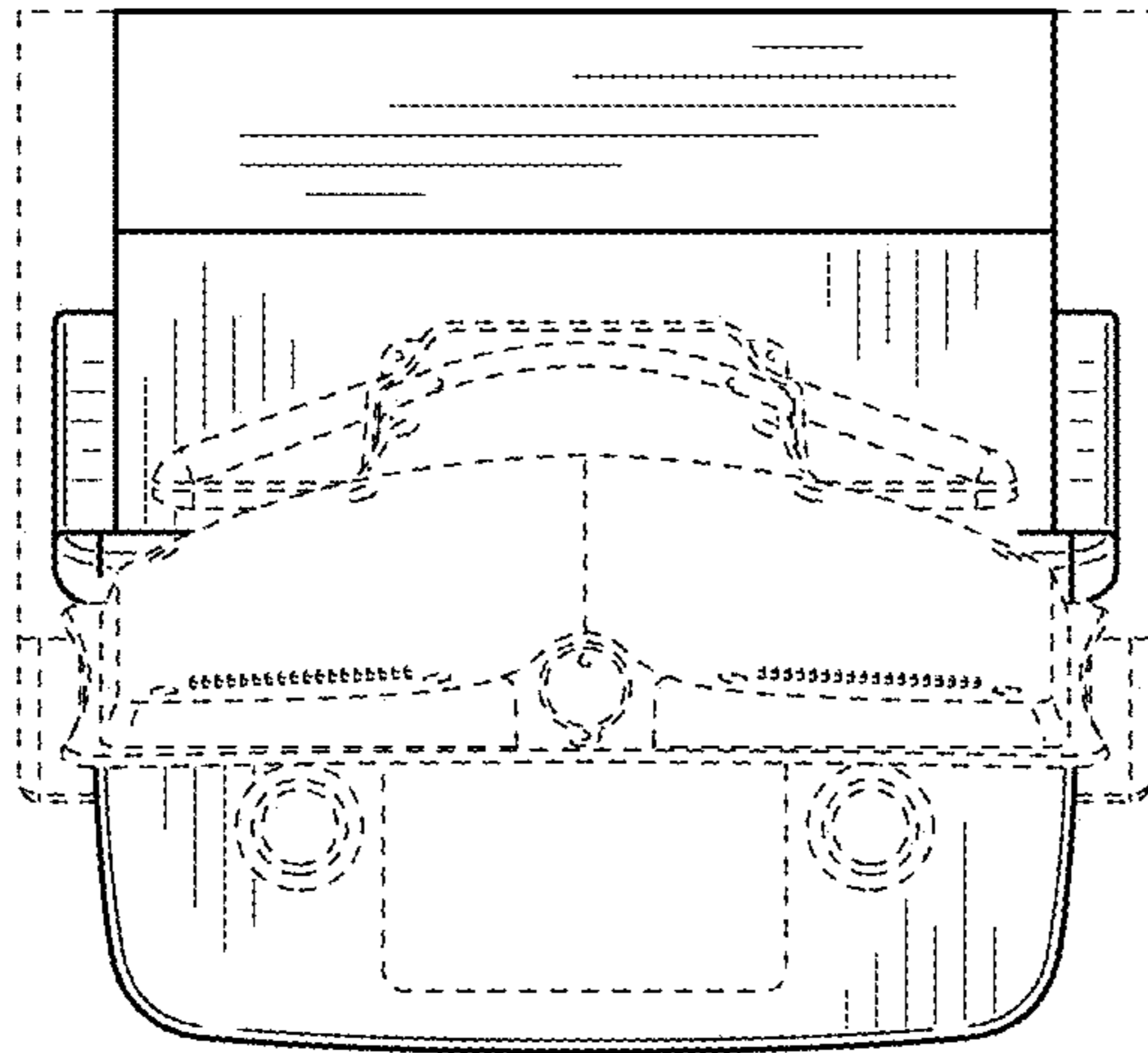


FIG. 6

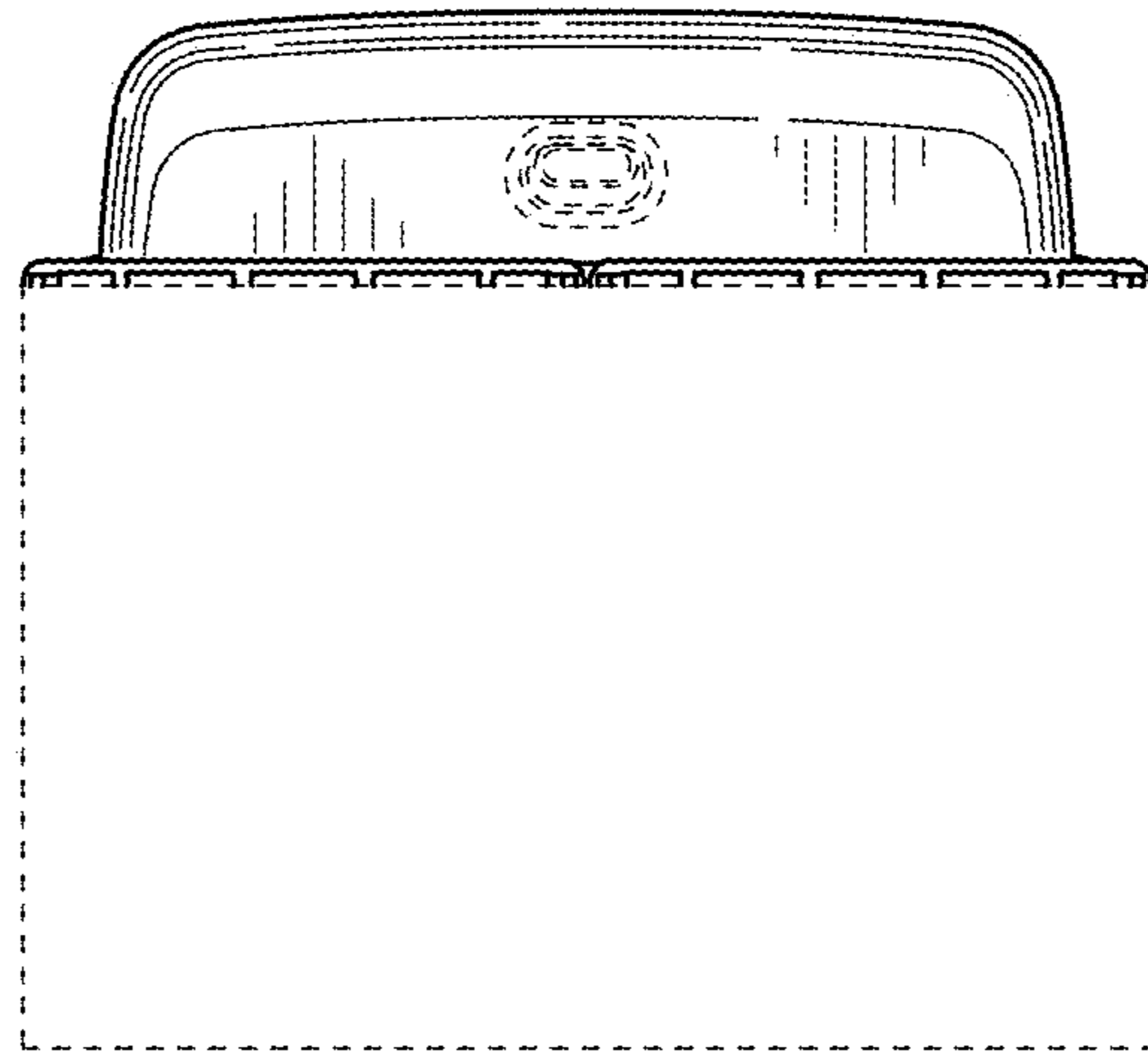


FIG. 7