



US00D954841S

(12) **United States Design Patent**
Conrad

(10) **Patent No.:** **US D954,841 S**
(45) **Date of Patent:** **** Jun. 14, 2022**

(54) **STEERING WHEEL FOR GAME SYSTEMS**

(71) Applicant: **Endor AG**, Landshut (DE)

(72) Inventor: **Bernhard Conrad**, Buch am Erlbach (DE)

(**) Term: **15 Years**

(21) Appl. No.: **35/512,129**

(22) Filed: **Mar. 12, 2021**

(80) **Hague Agreement Data**

Int. Filing Date: **Mar. 12, 2021**

Int. Reg. No.: **DM/214969**

Int. Reg. Date: **Mar. 12, 2021**

Int. Reg. Pub. Date: **Jul. 2, 2021**

(51) **LOC (13) Cl.** **21-01**

(52) **U.S. Cl.**

USPC **D21/333**

(58) **Field of Classification Search**

USPC D12/175-177; D14/388, 389, 390, 412,
D14/413-417, 454, 455; D21/324, 333

CPC A63F 13/20; A63F 13/24; A63F 13/245;
A63F 13/98

See application file for complete search history.

(56) **References Cited**

U.S. PATENT DOCUMENTS

D451,557 S * 12/2001 Yu D21/333
D479,168 S * 9/2003 Faust D12/176
D497,365 S * 10/2004 Hussaini D14/416
6,976,677 B1 * 12/2005 McVicar A63F 13/02
463/47
D522,516 S * 6/2006 Hussaini D14/416
D553,622 S * 10/2007 Petrotta D21/324
D558,651 S * 1/2008 Ikeda D14/401
D568,409 S * 5/2008 Ikeda D14/416
D586,865 S * 2/2009 Ko D21/324
D602,096 S * 10/2009 Ashida D21/333

D615,131 S * 5/2010 Biheller D21/333
D644,580 S * 9/2011 Markowitz D12/176
D801,242 S * 10/2017 Kim D12/177
D820,178 S * 6/2018 Kim A63F 13/02
D12/177
D906,429 S * 12/2020 Morisawa D21/333
D936,539 S * 11/2021 Papis D12/177

OTHER PUBLICATIONS

Fanatec, Fanatec CSL Steering Wheel P1, published via YouTube.com on Nov. 20, 2018. Retrieved from the internet on Mar. 3, 2022 <URL: https://www.youtube.com/watch?v=7BUXKN7-DZk> (Year: 2018).*

Boosted Media, Fanatec CSL Elite WRC Steering Wheel, published via YouTube.com on Sep. 3, 2020. Retrieved from the internet on Mar. 3, 2022 <URL: https://www.youtube.com/watch?v=DfuYYVA7Y_8> (Year: 2020).*

* cited by examiner

Primary Examiner — Joseph Kukella

(57) **CLAIM**

The ornamental design for a steering wheel for game systems, as shown and described.

DESCRIPTION

The patent or application file contains at least one drawing executed in color. Copies of this patent or patent application publication with color drawing(s) will be provided by the Office upon request and payment of the necessary fee.

1. Steering wheel for game systems

1.1 : Front

1.2 : Bottom

1.3 : Perspective view from the back

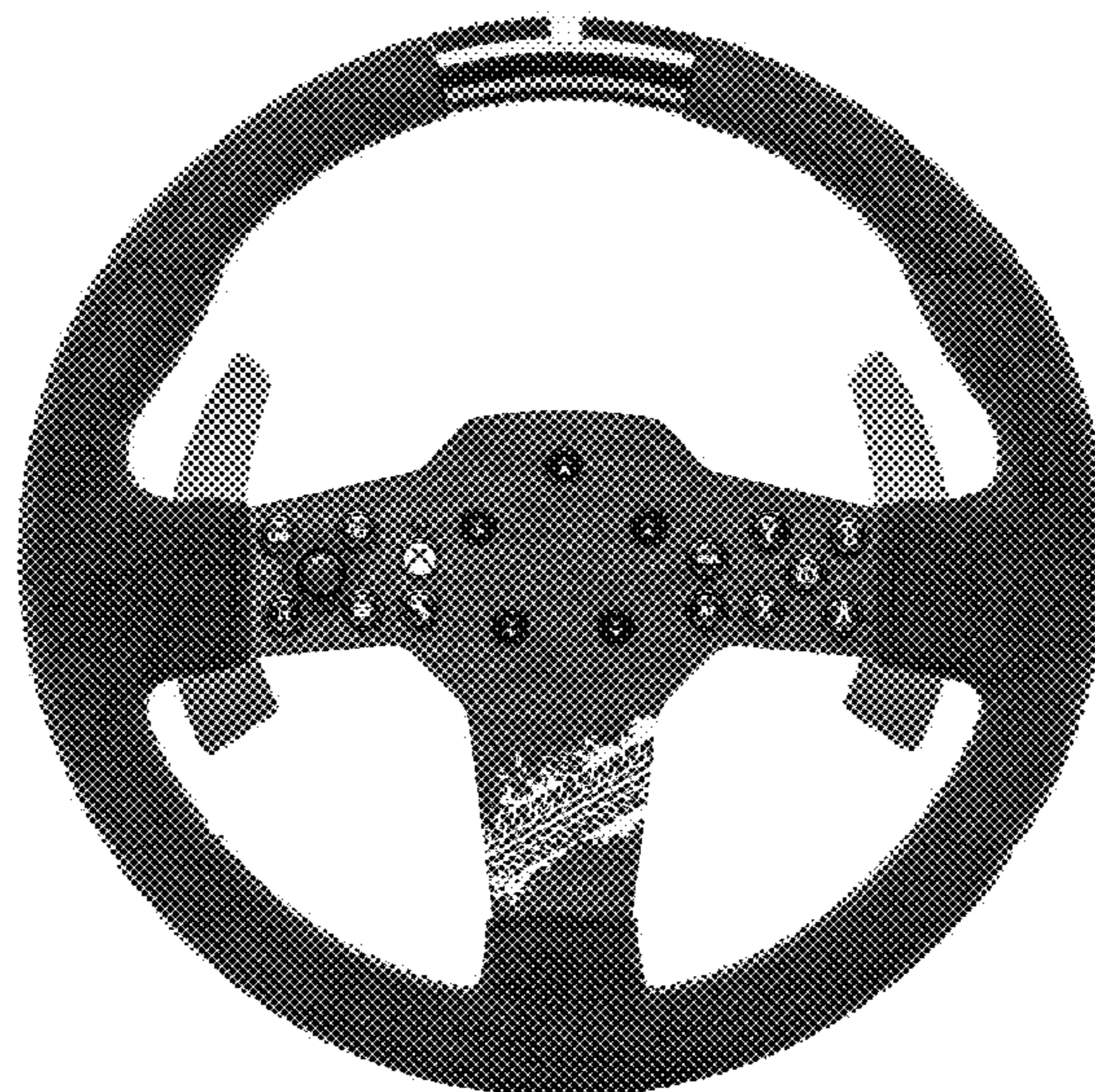
1.4 : perspective view from the front

1.5 : side view

1.6 : Back

1.7 : Top

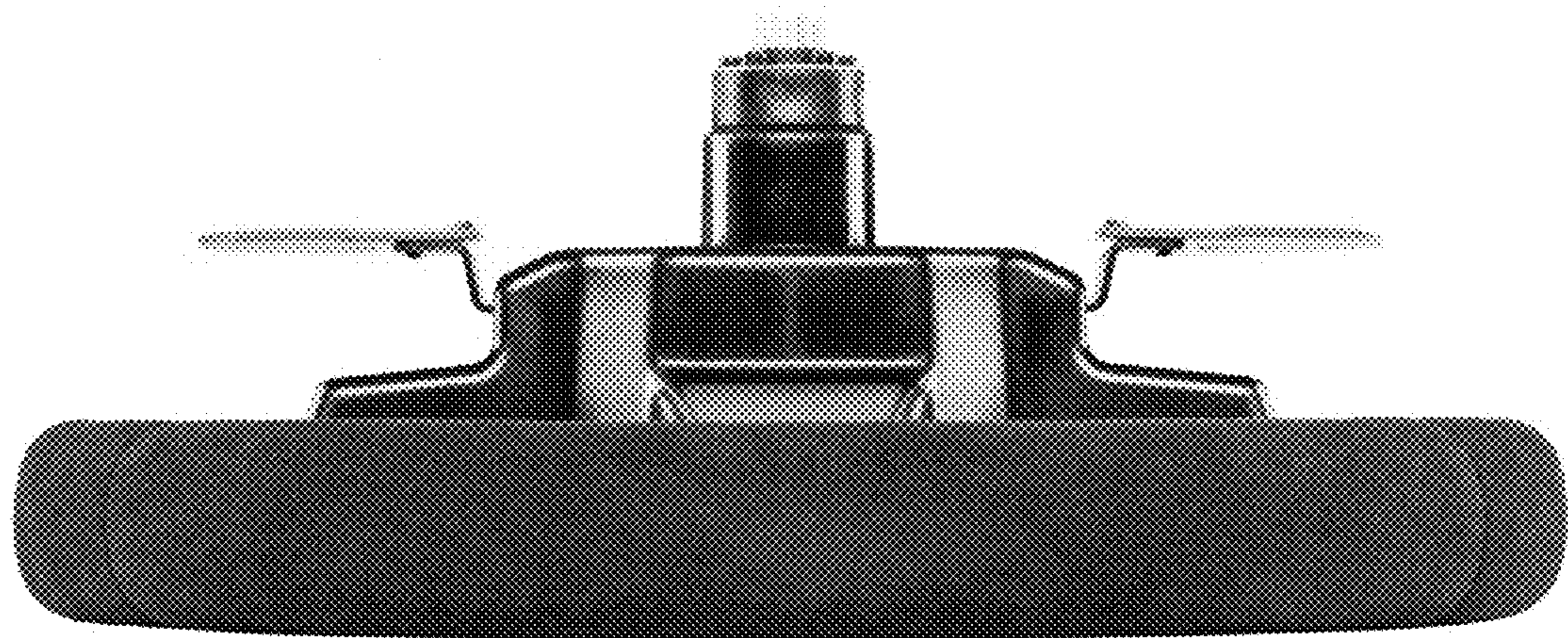
1 Claim, 7 Drawing Sheets
(7 of 7 Drawing Sheet(s) Filed in Color)



1.1



1.2



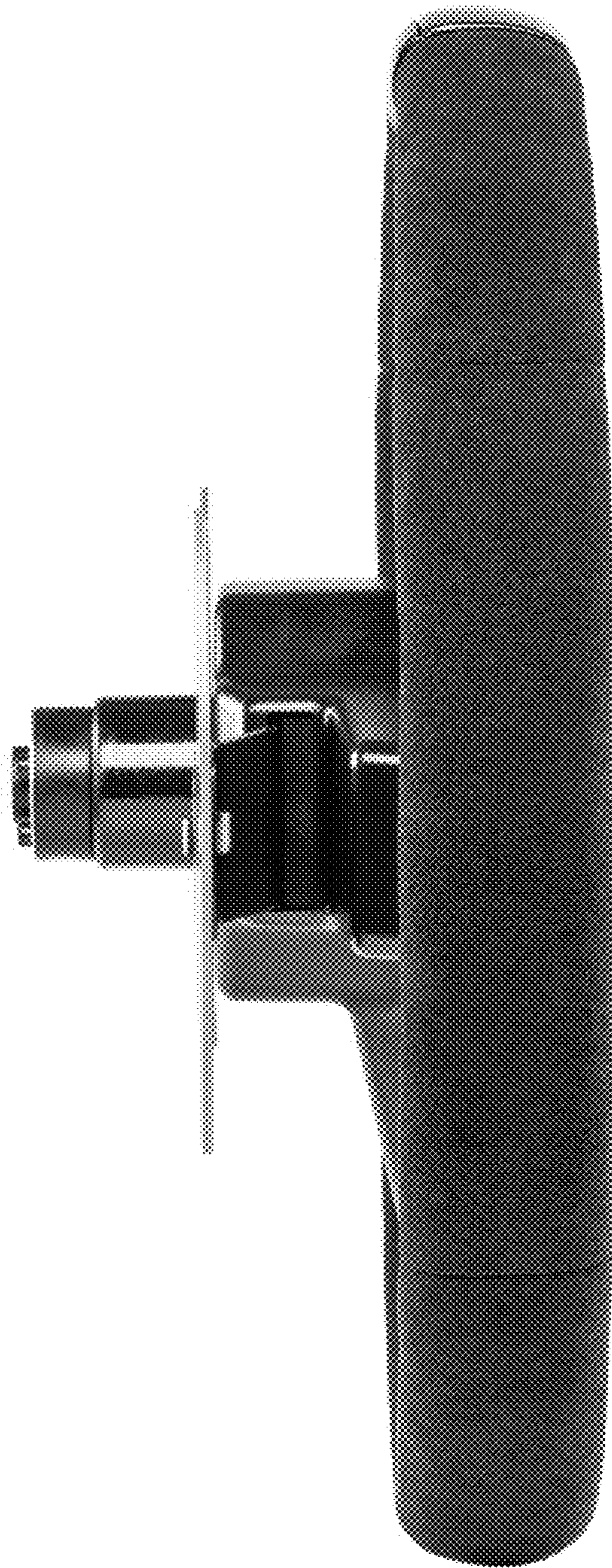
1.3



1.4



1.5



1.6



1.7

