



US00D954840S

(12) **United States Design Patent**
Jackermeier

(10) **Patent No.:** **US D954,840 S**

(45) **Date of Patent:** **** Jun. 14, 2022**

(54) **STEERING WHEEL FOR ELECTRONIC GAMES**

(71) Applicant: **Endor AG**, Landshut (DE)

(72) Inventor: **Thomas Jackermeier**, Landshut (DE)

(**) Term: **15 Years**

(21) Appl. No.: **35/512,125**

(22) Filed: **Mar. 12, 2021**

(80) **Hague Agreement Data**

Int. Filing Date: **Mar. 12, 2021**

Int. Reg. No.: **DM/214971**

Int. Reg. Date: **Mar. 12, 2021**

Int. Reg. Pub. Date: **Jul. 2, 2021**

(51) **LOC (13) Cl.** **21-01**

(52) **U.S. Cl.**
USPC **D21/333**

(58) **Field of Classification Search**
USPC D12/175-177; D14/388, 389, 390, 412,
D14/413-417, 454, 455; D21/324, 333
CPC A63F 13/20; A63F 13/24; A63F 13/245;
A63F 13/98
See application file for complete search history.

(56) **References Cited**

U.S. PATENT DOCUMENTS

D380,503 S * 7/1997 Tyler D21/385
D395,464 S * 6/1998 Shiihashi D21/385

D627,831 S * 11/2010 Tombazis D21/333
D641,797 S * 7/2011 Chen D21/333
D695,839 S * 12/2013 Lin D14/401
D708,675 S * 7/2014 Delrue D21/333
D769,781 S * 10/2016 Allison D12/175
D776,023 S * 1/2017 Allison D12/175
D813,123 S * 3/2018 Allison D12/175
D867,237 S * 11/2019 Resta D12/175
D911,447 S * 2/2021 Conrad D21/333

* cited by examiner

Primary Examiner — Joseph Kukella

(57) **CLAIM**

The ornamental design for a steering wheel for electronic games, as shown and described.

DESCRIPTION

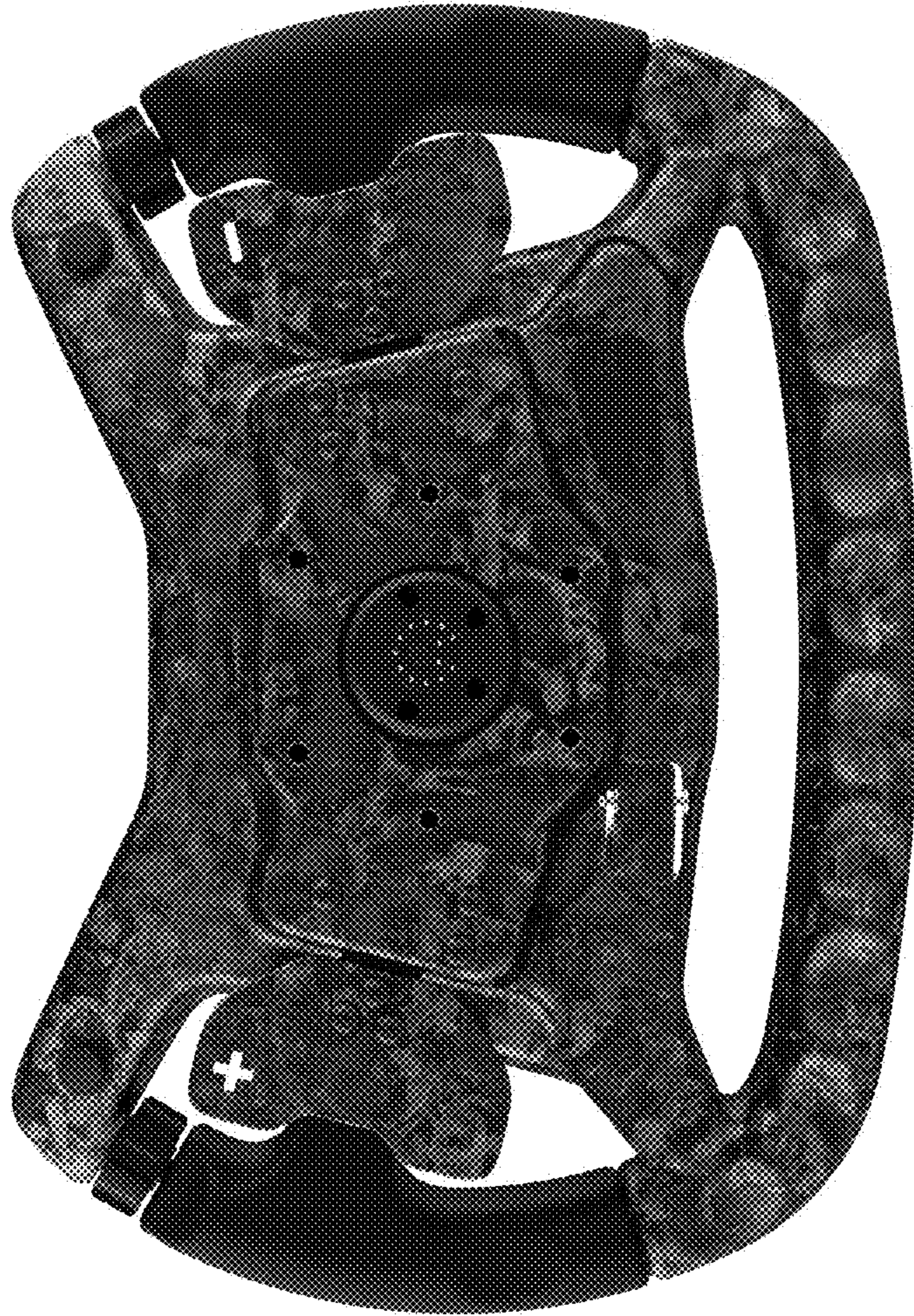
The patent or application file contains at least one drawing executed in color. Copies of this patent or patent application publication with color drawing(s) will be provided by the Office upon request and payment of the necessary fee.

1. Steering wheel for electronic games

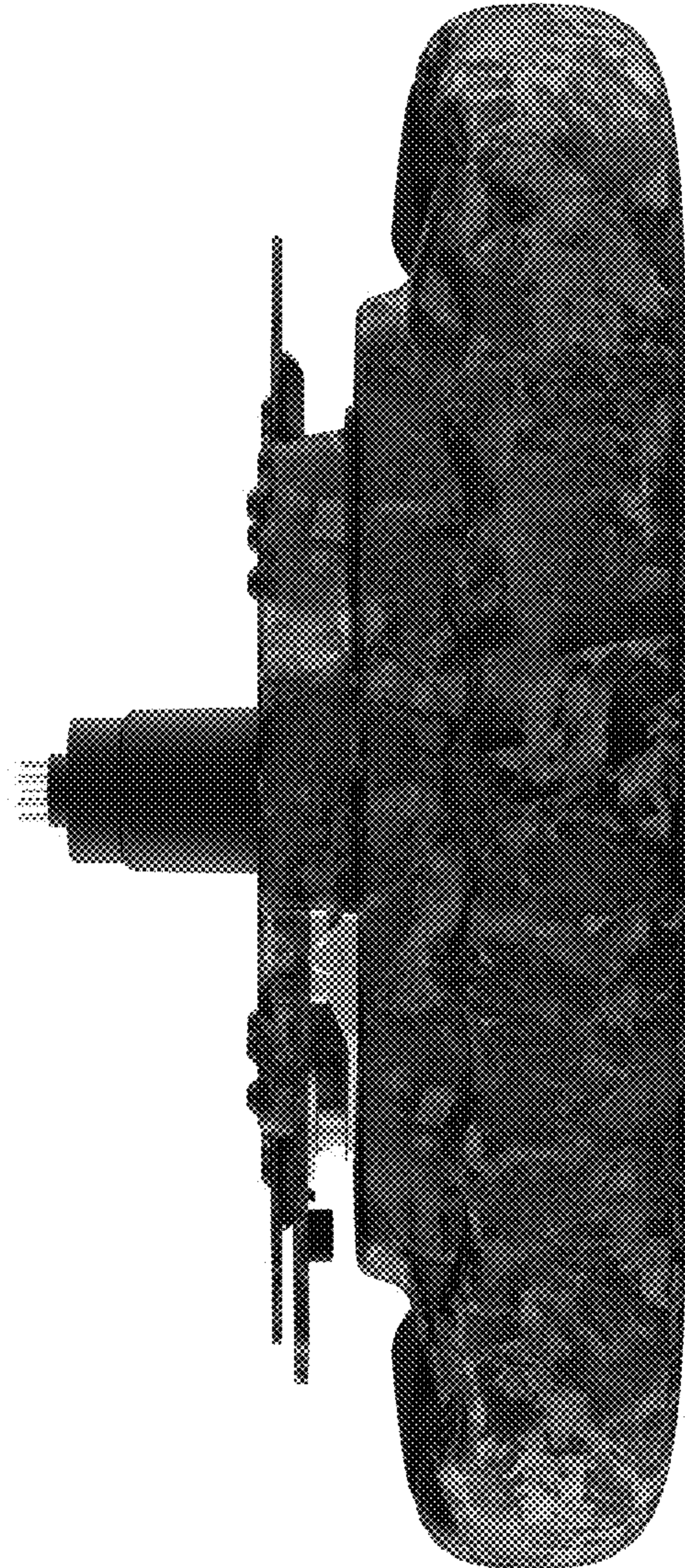
- 1.1 : Back
- 1.2 : Top
- 1.3 : Front
- 1.4 : Right
- 1.5 : Left
- 1.6 : Bottom
- 1.7 : Perspective

1 Claim, 7 Drawing Sheets
(7 of 7 Drawing Sheet(s) Filed in Color)





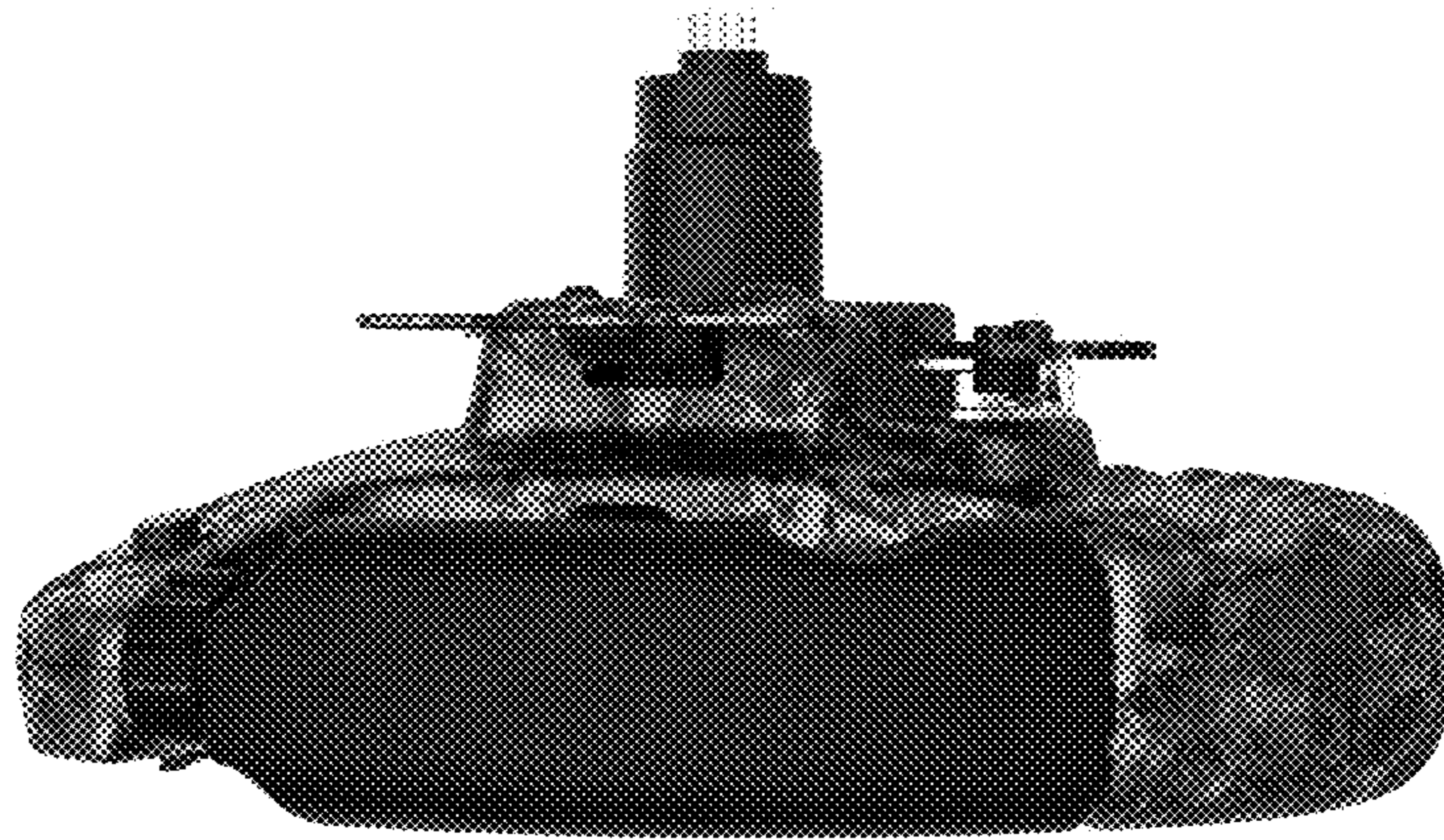
1.1



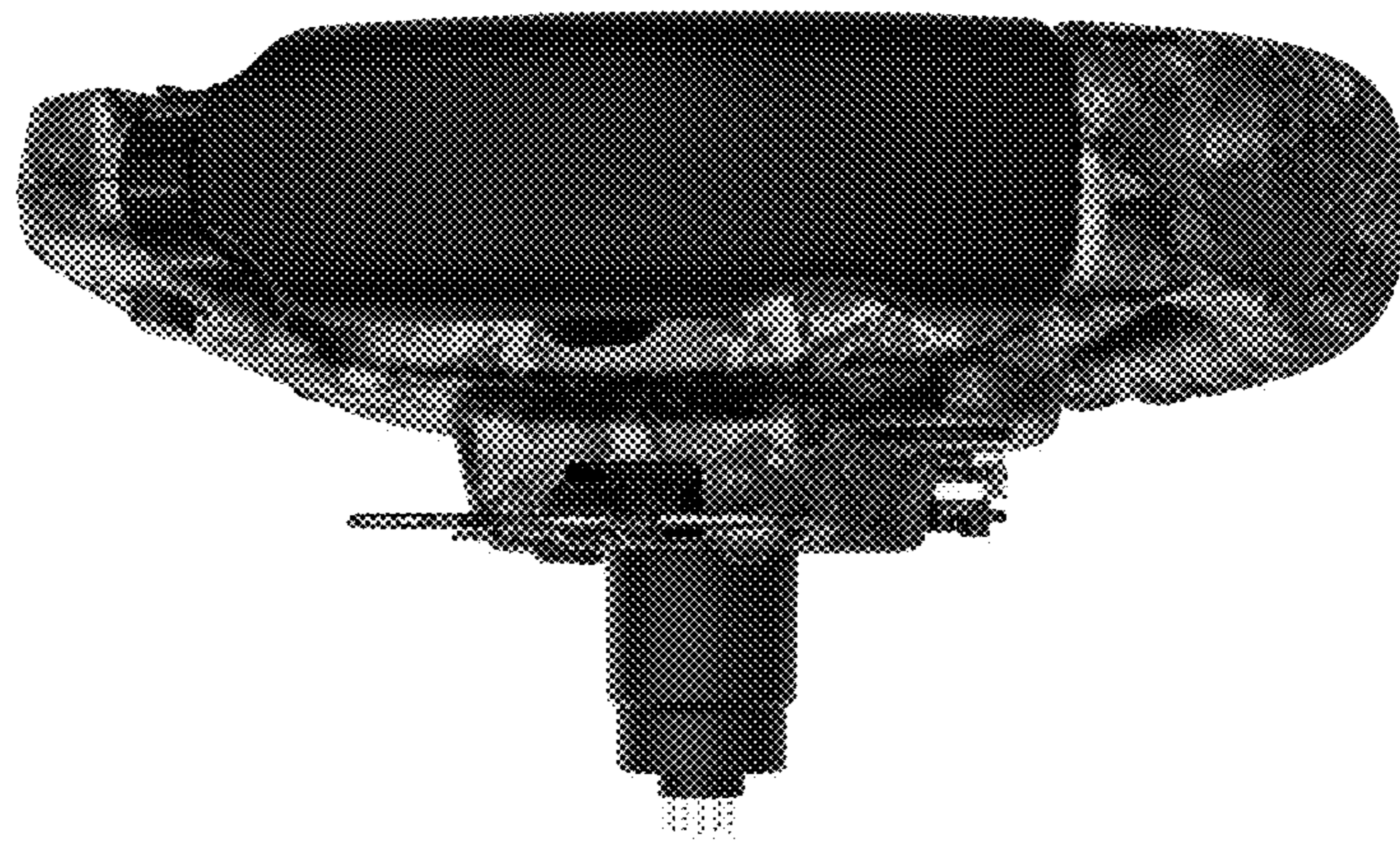
1.2



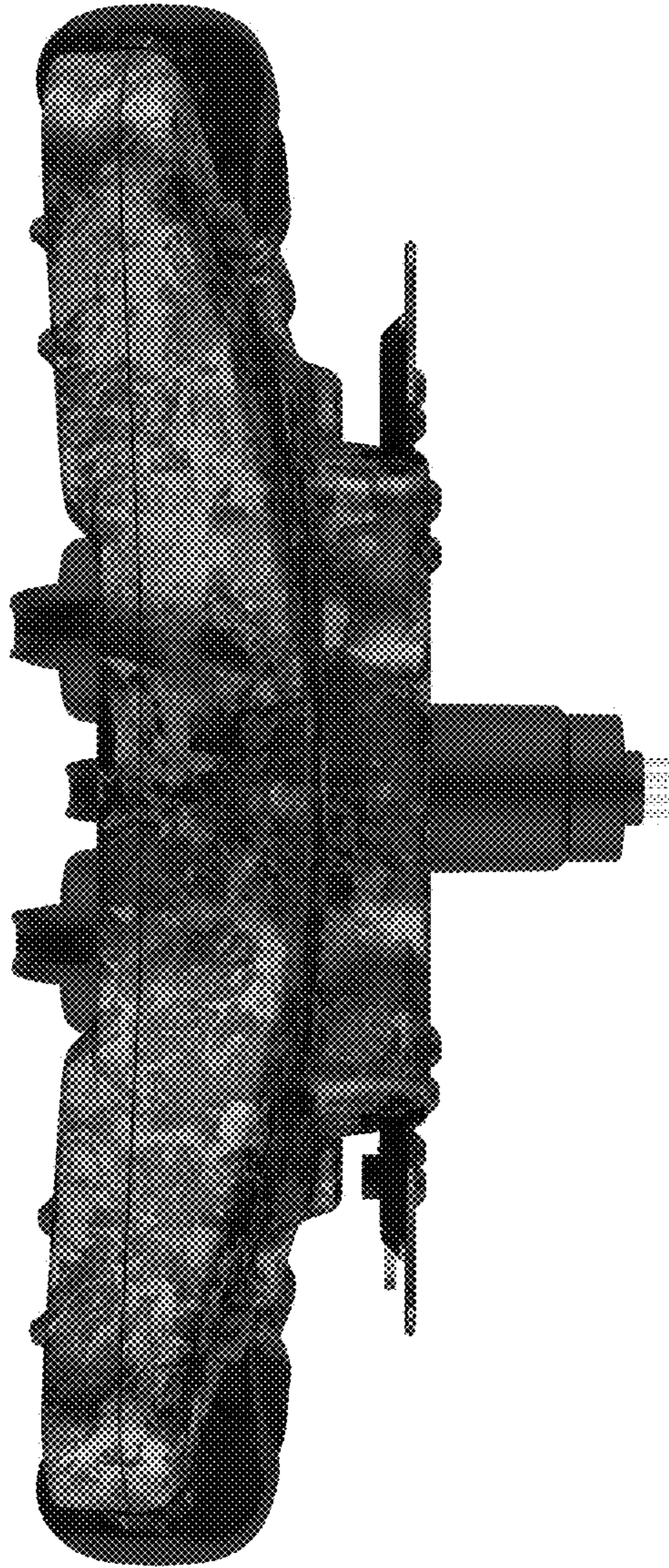
1.3



1.4



1.5



1.6



1.7