



US00D954838S

(12) **United States Design Patent** (10) **Patent No.:** **US D954,838 S**
Kobayashi et al. (45) **Date of Patent:** **** Jun. 14, 2022**

(54) **CONTROLLER FOR ELECTRONIC DEVICE**

(56) **References Cited**

(71) Applicant: **SONY INTERACTIVE ENTERTAINMENT INC.**, Tokyo (JP)

U.S. PATENT DOCUMENTS

(72) Inventors: **Ikuo Kobayashi**, Tokyo (JP); **Taichi Nokuo**, Tokyo (JP)

D712,408 S 9/2014 Sumii et al.
D712,484 S 9/2014 Sumii et al.
D712,973 S 9/2014 Sumii et al.
D794,129 S * 8/2017 Kujawski D21/333
(Continued)

(73) Assignee: **SONY INTERACTIVE ENTERTAINMENT INC.**, Tokyo (JP)

FOREIGN PATENT DOCUMENTS

EM 003869338-0001 S 5/2017
EM 005514759-0002 S 7/2018
(Continued)

(**) Term: **15 Years**

OTHER PUBLICATIONS

(21) Appl. No.: **29/752,025**

“P55 Silicone grip”, posted Nov. 10, 2020[online], [Retrieved Jul. 15, 2021], retrieved from internet: <https://amzn.to/3wD9TXO>.*

(Continued)

(22) Filed: **Sep. 24, 2020**

Primary Examiner — Mehri F Bajoul

(30) **Foreign Application Priority Data**

(74) *Attorney, Agent, or Firm* — Michael Best & Friedrich LLP

Apr. 3, 2020 (JP) 2020-007062

(51) **LOC (13) Cl.** **21-01**

(57) **CLAIM**

(52) **U.S. Cl.**

USPC **D21/333**

The ornamental design for a controller for electronic device, as shown and described.

(58) **Field of Classification Search**

USPC D21/324–329, 330, 331, 333, 341, 342, D21/349, 386; D14/137, 138, 160, 168, D14/174, 177, 190, 217, 218, 250, 299, D14/322, 341, 345, 346, 353, 354, 356, D14/387, 388, 389, 399–401, 412–416, D14/421, 432, 440, 443, 449, 450, 454, D14/463, 471, 474, 483, 493, 496, 511; D22/100, 103–105; D13/162, 162.1, 164, D13/168; D10/78, 98, 103; D12/174, D12/177, 190, 218; D18/10

CPC A63F 13/00; A63F 13/10; A63F 13/02; A63F 13/04; A63F 13/06; A63F 13/22; A63F 13/24; A63F 13/40; A63F 13/98

See application file for complete search history.

DESCRIPTION

FIG. 1 is a perspective view of front, bottom and right side of a controller for electronic device showing our new design; FIG. 2 is a perspective view of a rear, top and left side thereof;

FIG. 3 is a front elevational view thereof;

FIG. 4 is a rear elevational view thereof;

FIG. 5 is a left elevational view thereof;

FIG. 6 is a right elevational view thereof;

(Continued)

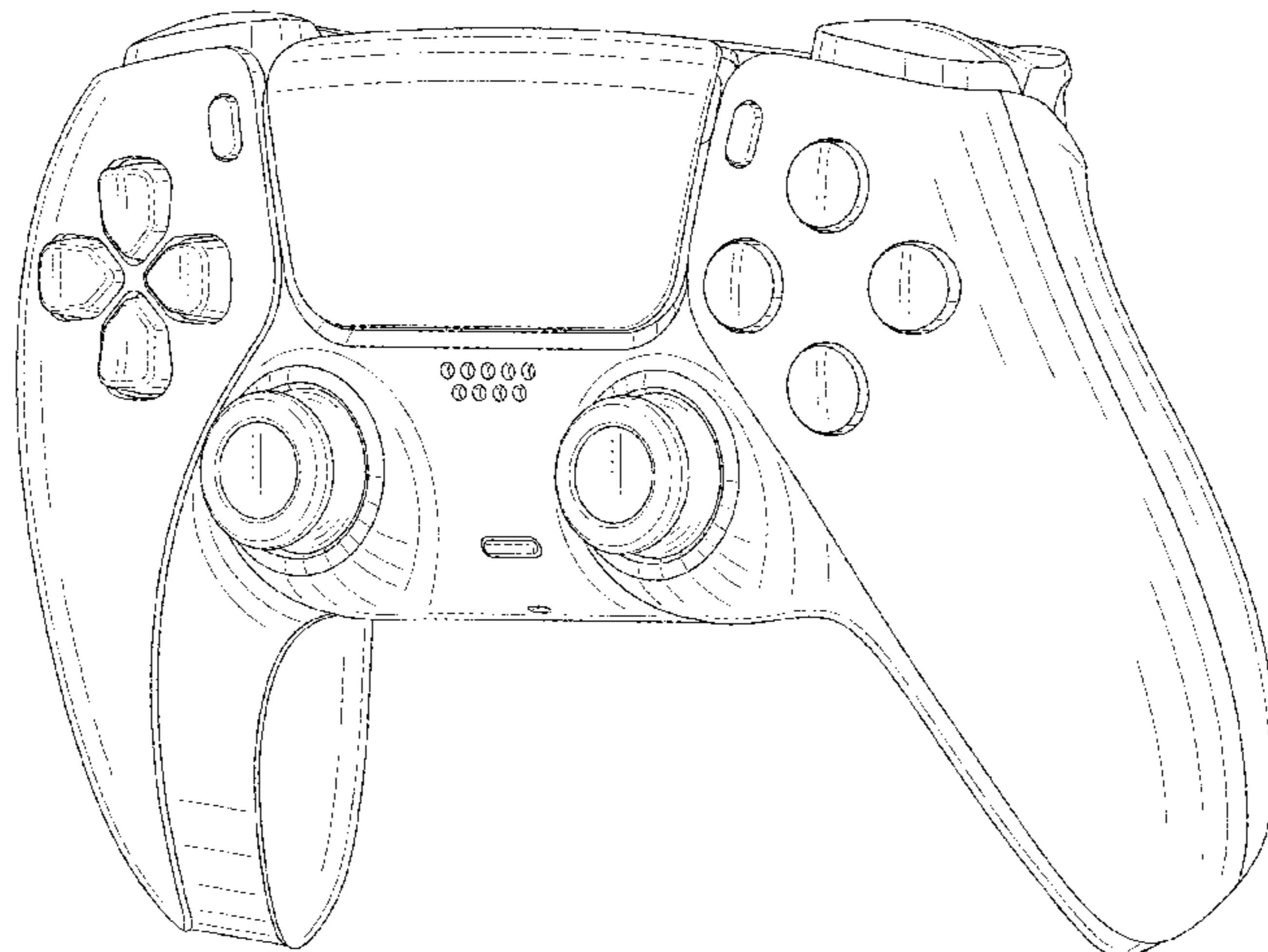


FIG. 7 is a top plan view thereof; and, FIG. 8 is a bottom plan view thereof. The broken lines illustrating portions of the controller for electronic device form no part of the claimed design.

1 Claim, 7 Drawing Sheets

(56)

References Cited

U.S. PATENT DOCUMENTS

D799,599	S	*	10/2017	Kujawski	D21/333
D805,518	S	*	12/2017	Goldman	D14/401
D806,078	S	*	12/2017	Goldman	D14/401
D819,641	S	*	6/2018	Tsuchiya	D14/401
D867,460	S	*	11/2019	Yan	D21/333
D881,281	S	*	4/2020	Tong	D21/333
D882,690	S	*	4/2020	Tsuchiya	D21/333
D882,691	S	*	4/2020	Tsuchiya	D21/333
D885,387	S	*	5/2020	Hu	D14/401
D890,263	S	*	7/2020	Tong	D21/333
D894,281	S	*	8/2020	Wang	D21/333
D909,483	S	*	2/2021	Whitaker	D21/333
D909,487	S	*	2/2021	Whitaker	D21/333
D912,734	S	*	3/2021	Yang	D21/333
D921,115	S	*	6/2021	Tong	D21/333
D921,116	S	*	6/2021	Zhou	D21/333
D923,097	S	*	6/2021	Zhao	D21/333
D923,098	S	*	6/2021	Zhao	D21/333
D923,100	S	*	6/2021	Zhou	D21/333
D924,978	S	*	7/2021	Chatterjee	D21/333

FOREIGN PATENT DOCUMENTS

GB	3008008	S	10/2002
JP	D1210941	S	7/2004
JP	D1278927	S	8/2006
JP	D1355476	S	4/2009
JP	D1375361	S	12/2009
JP	D1462911	S	2/2013
JP	D1478907	S	9/2013
JP	D1478938	S	9/2013
JP	D1478939	S	9/2013
JP	D1545816	S	3/2016
JP	D1548682	S	5/2016
JP	D1576345	S	5/2017
JP	D1581313	S	7/2017
JP	D1612385	S	8/2018

OTHER PUBLICATIONS

PS5 Putzkraft reinigt DevKit fotografiert Controller und Konsole NETZWELT which was published on the website <https://www.netzwelt.de/news/175046-ps5-putzkraft-reinigt-dev-kit-fotografiert-controllerkonsole.html>, Jan. 6, 2020.

ps5controller273552.jpg 1200x900 which was published on the website https://img.netzwelt.de/dw1200_dh900_sw1820_sh1365_sx114_sy0_sr4x3_nu2/picture/original/2020/04/ps5-controller-273552.jpg, Jan. 6, 2020.

ps5controller273551.jpg 1200x900 which was published on the website https://img.netzwelt.de/dw1200_dh900_sw1420_sh1065_sx180_sy2_sr4x3_nu2/picture/original/2020/04/ps5-controller-273551.jpg, Jan. 6, 2020.

snoreynletsdigitalzeigeneuchps5schwarz274674.jpeg 1200x900 which was published on the website https://img.netzwelt.de/dw1200_dh900_sw1004_sh753_sx0_sy0_sr4x3_nu2/picture/original/2020/04/snoreyn-letsdigital-zeigen-euch-ps5-schwarz-274674.jpeg, Jan. 6, 2020.

handeltnatuerlichnochkonzept274678.jpeg 1200x900 which was published on the website https://img.netzwelt.de/dw1200_dh900_sw872_sh654_sx151_sy1_sr4x3_nu2/picture/original/2020/04/handeltnatuerlich-noch-konzept-274678.jpeg, Jan. 6, 2020.

sonymussoffizielleps5designerstnochenhuenthellenobwohldiesementw urfaehnet274679.jpeg 1200x900 which was published on the website https://img.netzwelt.de/dw1200_dh900_sw1016_sh762_sx0_sy2_sr4x3_nu2/picture/original/2020/04/sonymuss-offizielle-ps5-design-erst-noch-enthellen-ob-wohl-diesem-entwurf-aehnet-274679.jpeg on, Jan. 6, 2020.

sehtinoffizielleschwarzeversionps5controllersdualsense274681.jpeg 1200x900 which was published on the website https://img.netzwelt.de/dw1200_dh900_sw1112_sh834_sx7_sy0_sr4x3_nu2/picture/original/2020/04/sehtinoffizielle-schwarze-version-ps5-controllers-dualsense-274681.jpeg, Jan. 6, 2020.

ps5konzeptzeitweisschwarzesdesign274010.jpg 1200x900 which was published on the website https://img.netzwelt.de/dw1200_dh900_sw1524_sh1143_sx0_sy0_sr4x3_nu2/picture/original/2020/04/ps5-konzept-zeit-weiss-schwarzes-design-274010.jpg, Jan. 6, 2020.

Office Action issued in Australian Design Application No. 202015257, dated Apr. 14, 2021.

Japan Patent Office Design Prior Art Collection, Publication material No. HJ2406269900, Acceptance date Feb. 1, 2013, Elecom Co., Ltd., Product page URL: http://www.elecom.co.jp/news/201212/jc-u3613m/image/JC-U3613MRD_01L.jpg, Japan Patent Office, Japan.

* cited by examiner

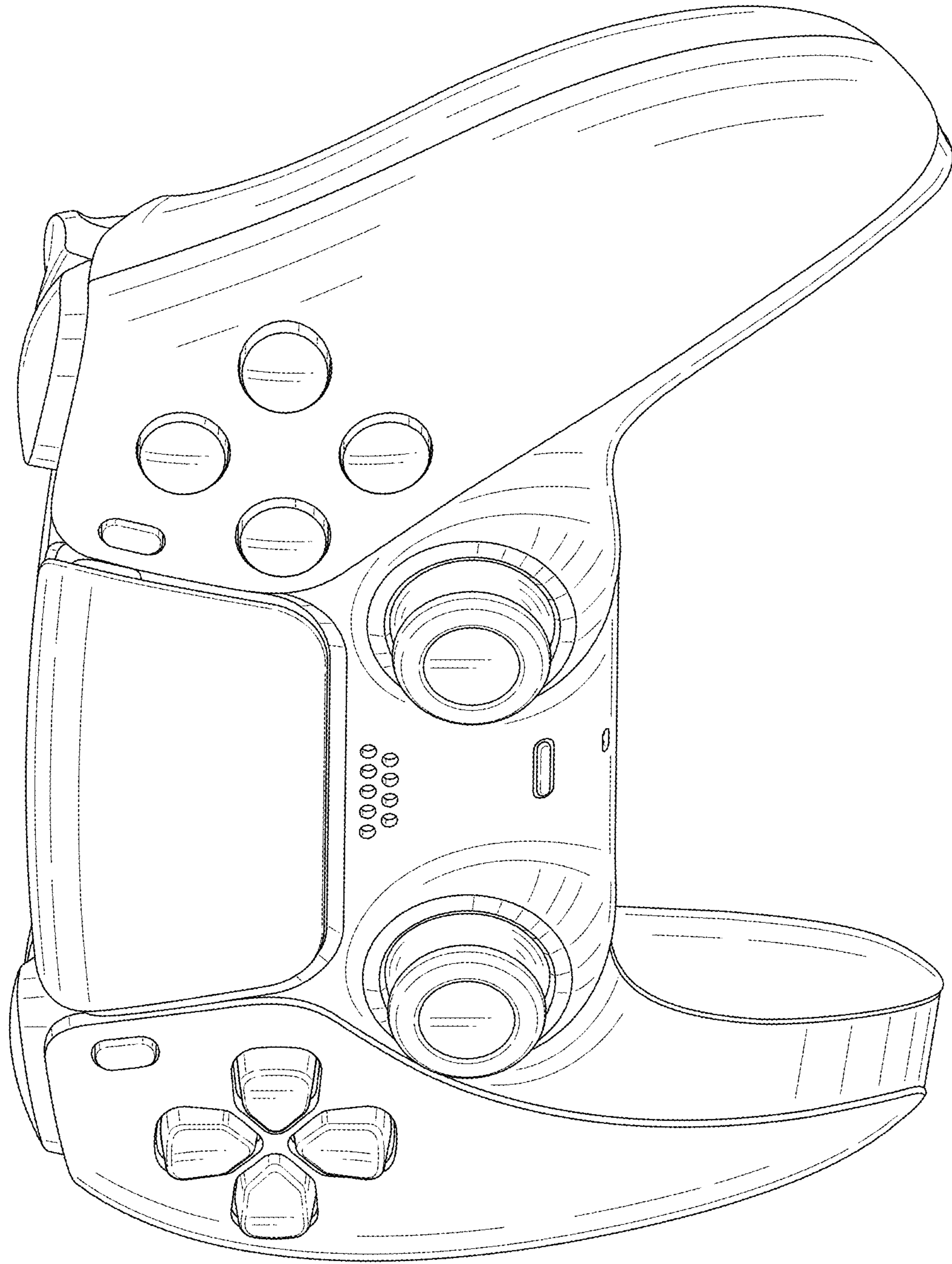


FIG. 1

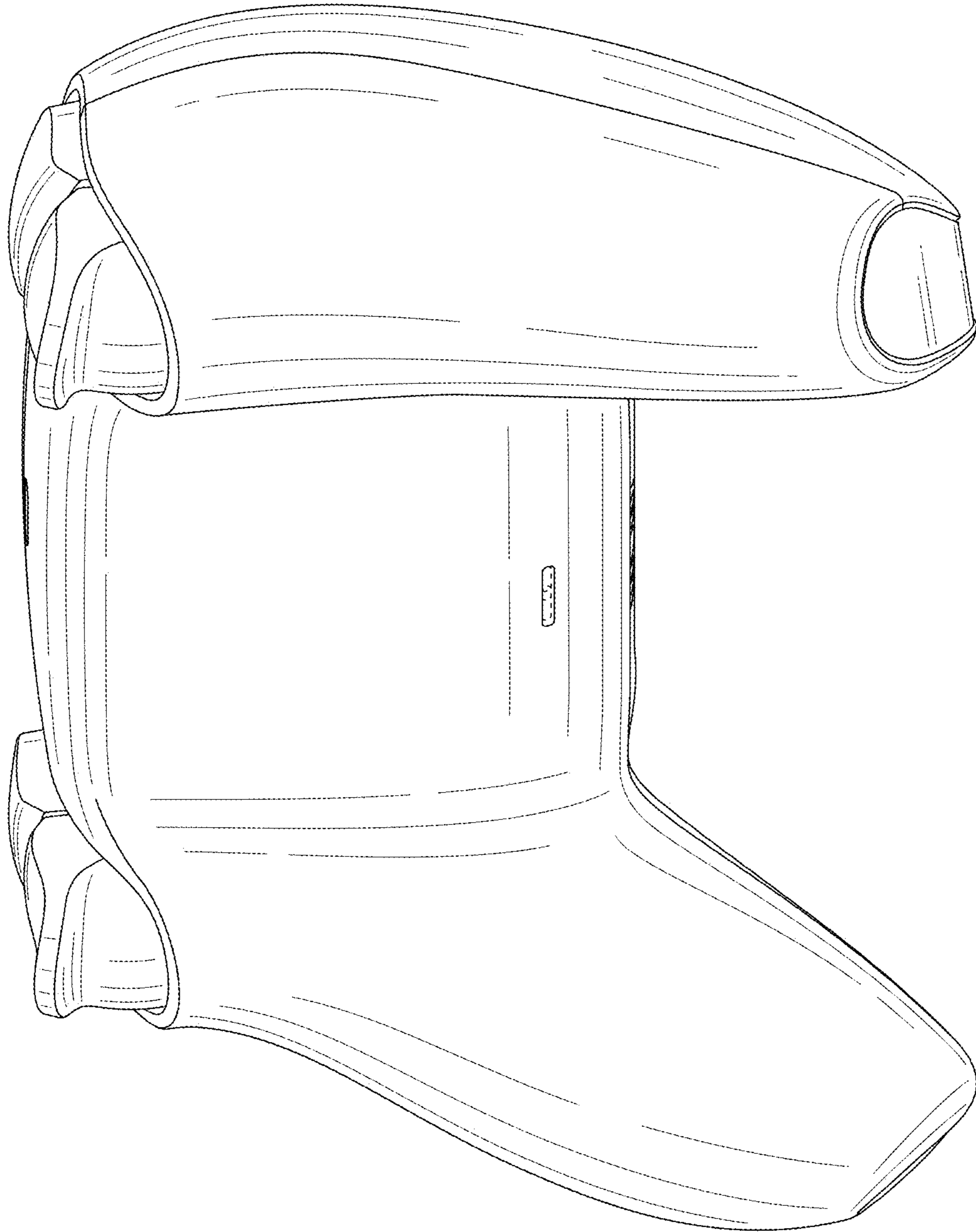


FIG. 2

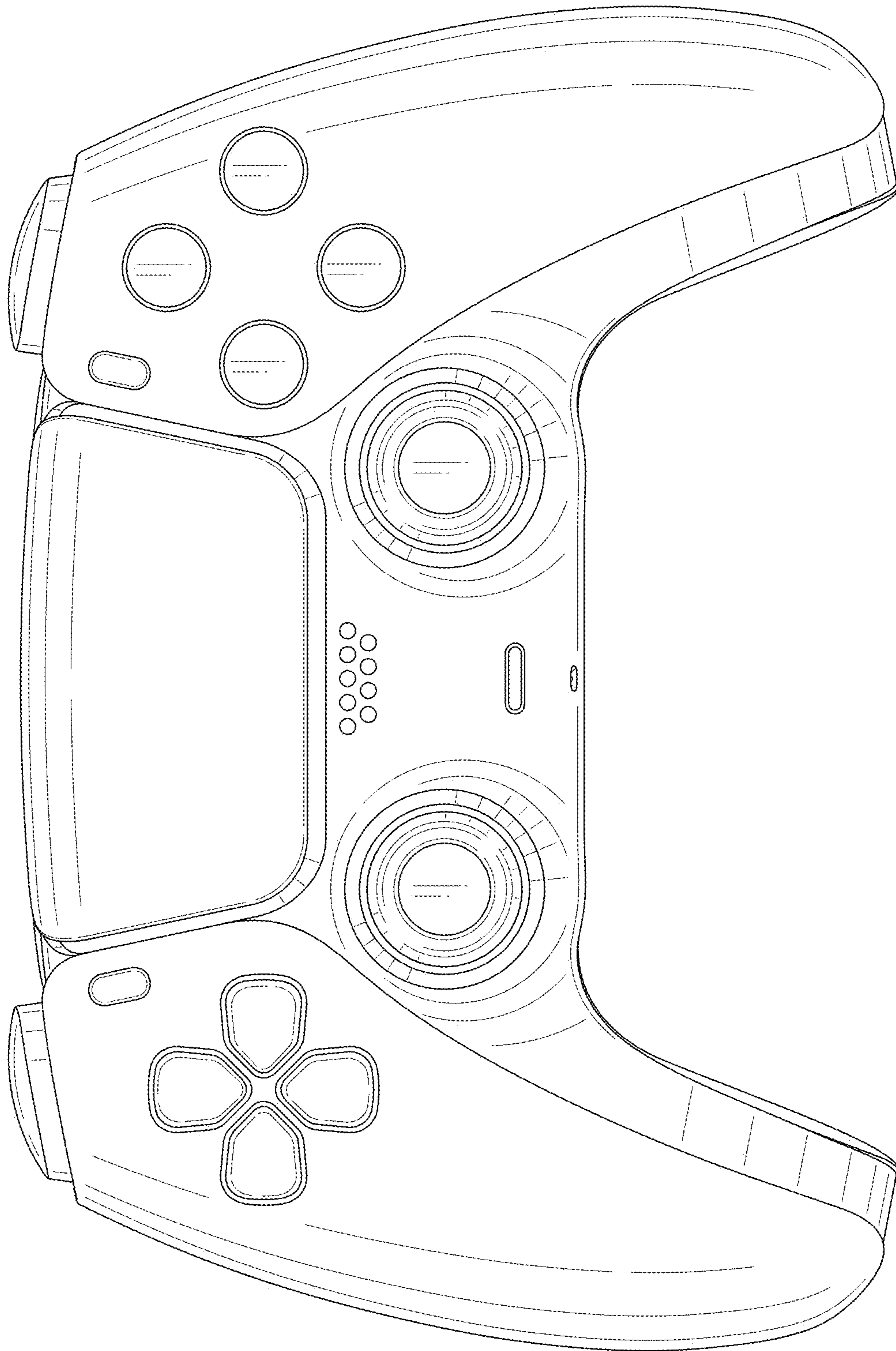


FIG. 3

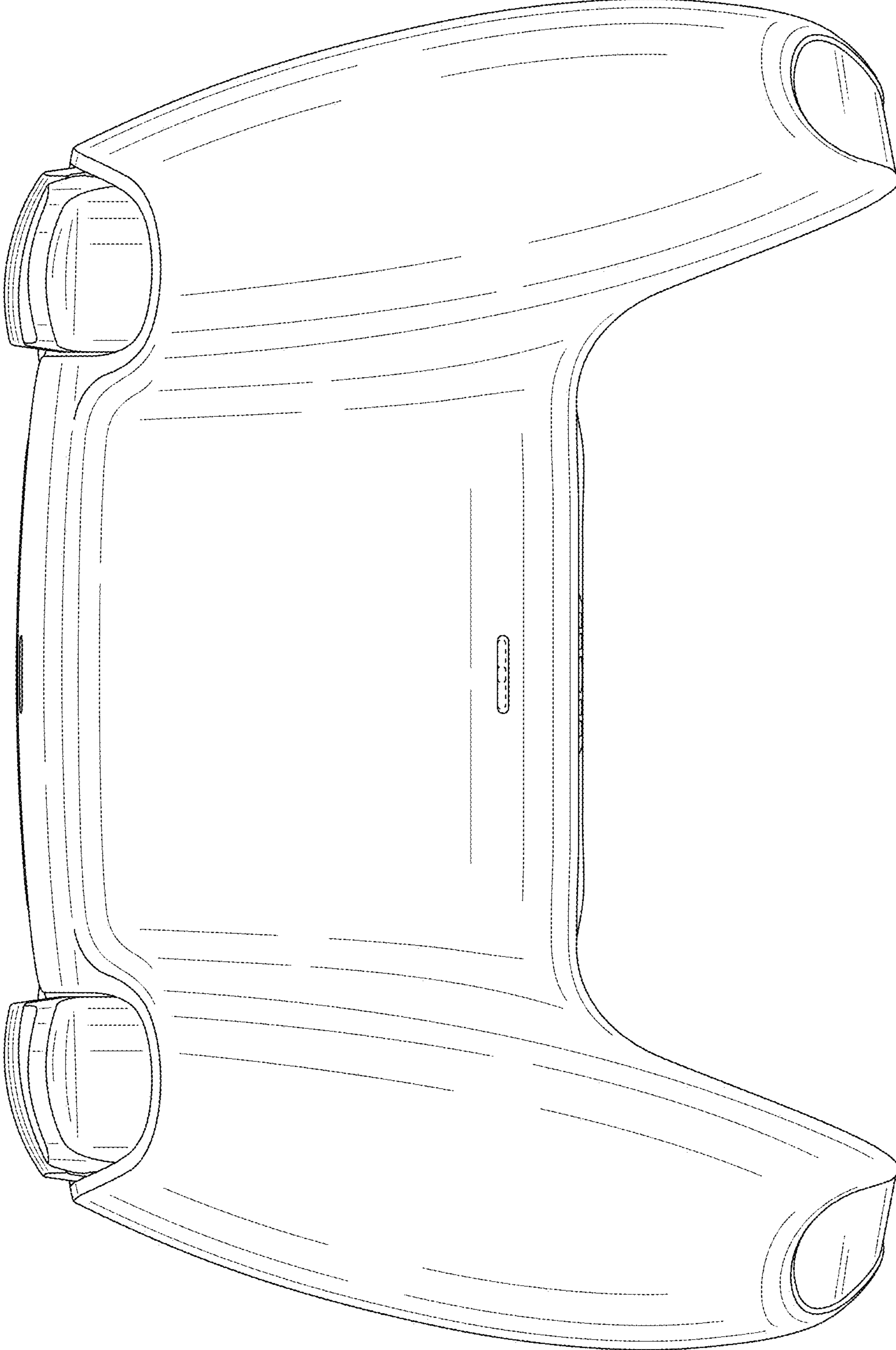


FIG. 4

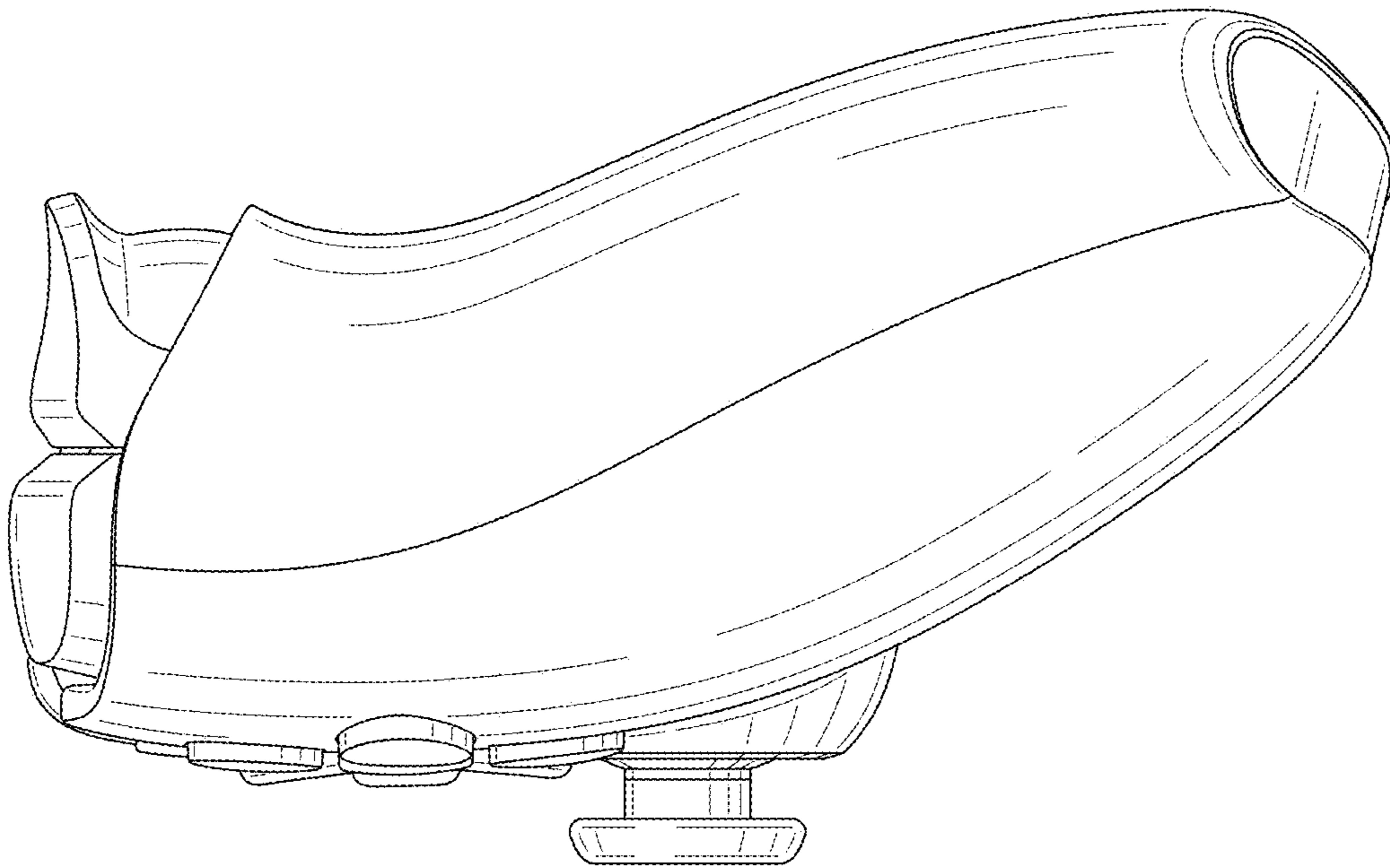


FIG. 6

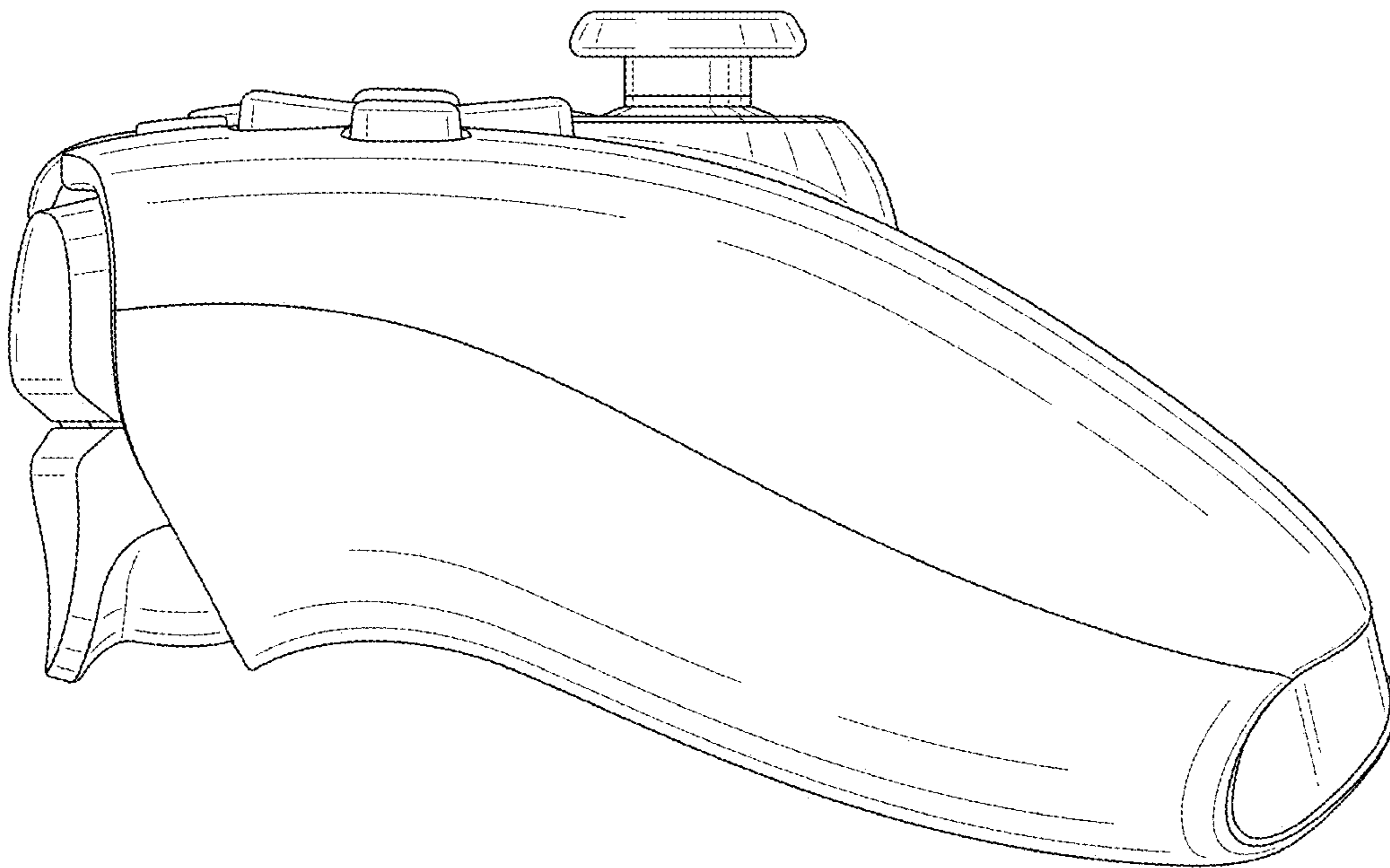


FIG. 5

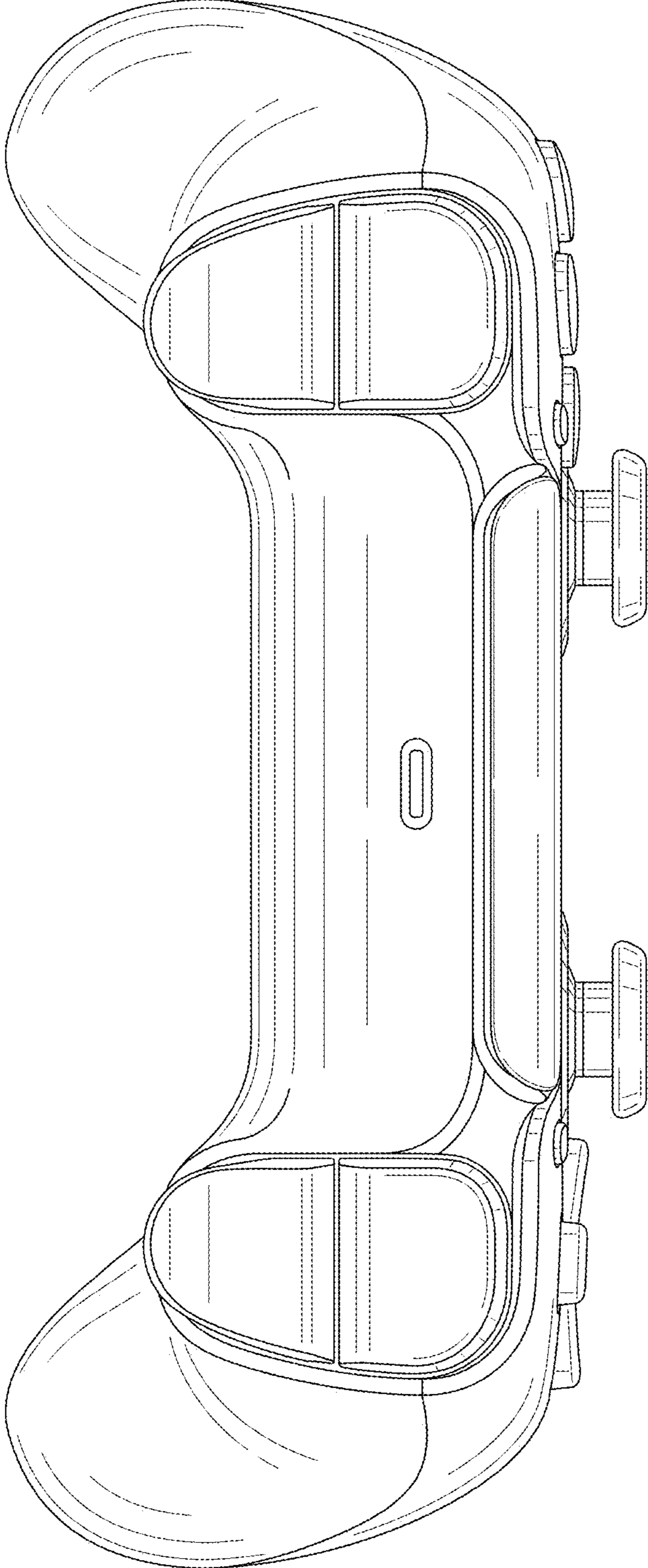


FIG. 7

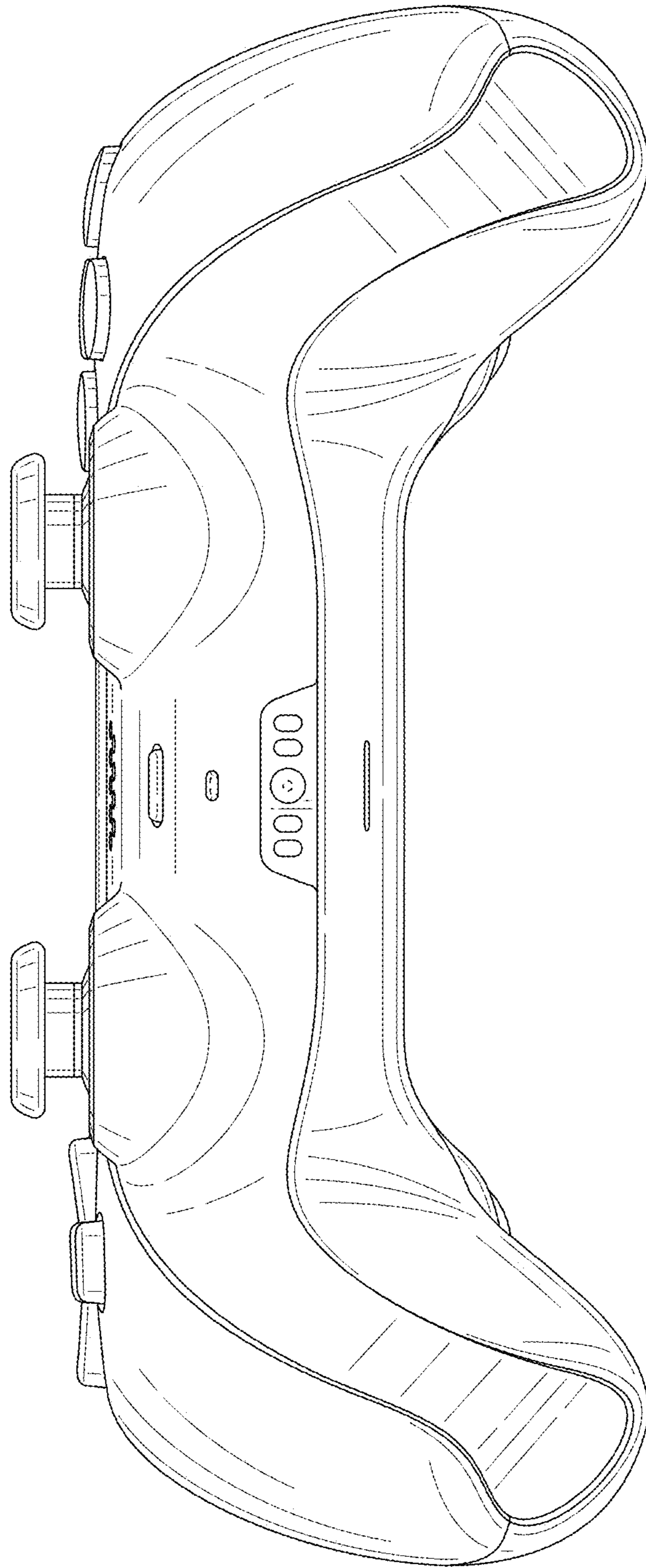


FIG. 8