



US00D954835S

(12) **United States Design Patent**  
**Su**

(10) **Patent No.:** **US D954,835 S**

(45) **Date of Patent:** **\*\* Jun. 14, 2022**

(54) **GAMEPAD**

(71) Applicant: **Zhifa Su**, Fujian (CN)

(72) Inventor: **Zhifa Su**, Fujian (CN)

(73) Assignee: **Zhifa Su**, Quanzhou (CN)

(\*\*) Term: **15 Years**

(21) Appl. No.: **29/717,980**

(22) Filed: **Dec. 20, 2019**

(30) **Foreign Application Priority Data**

Oct. 22, 2019 (CN) ..... 201930576207.7

(51) **LOC (13) Cl.** ..... **21-01**

(52) **U.S. Cl.**  
USPC ..... **D21/333**

(58) **Field of Classification Search**  
USPC ..... D21/324–329, 333; D14/250, 299, 322,  
D14/341, 345, 346, 353, 354, 374, 375,  
D14/376, 421, 432, 440, 463, 493;  
D22/100, 103–105; D13/162.1; D10/78,  
D10/98, 103; D12/174, 177, 190, 218  
CPC ..... A45C 13/00; A45C 13/001; A45C 13/002;  
A63F 13/10; A63F 9/0294; G06F 3/014;  
G06F 3/0346; G06F 3/0338; G06T 7/246  
See application file for complete search history.

(56) **References Cited**

**U.S. PATENT DOCUMENTS**

D794,129 S \* 8/2017 Kujawski ..... D21/333  
D794,717 S \* 8/2017 Kujawski ..... D21/333

D795,961 S \* 8/2017 Chatterjee ..... D21/333  
D799,599 S \* 10/2017 Kujawski ..... D21/333  
D816,773 S \* 5/2018 Chatterjee ..... D21/333  
D819,641 S \* 6/2018 Tsuchiya ..... D14/401  
D825,005 S \* 8/2018 Chatterjee ..... D21/333  
D847,265 S \* 4/2019 Chatterjee ..... D21/333  
D847,903 S \* 5/2019 Chatterjee ..... D21/333  
D849,147 S \* 5/2019 Strahle ..... D21/333  
D854,619 S \* 7/2019 Konishi ..... D21/333  
D855,703 S \* 8/2019 Chatterjee ..... D21/333  
D863,447 S \* 10/2019 Tsuchiya ..... D21/333  
D865,766 S \* 11/2019 Hu ..... D14/401  
D867,460 S \* 11/2019 Yan ..... D21/333  
D882,690 S \* 4/2020 Tsuchiya ..... D21/333  
D890,263 S \* 7/2020 Tong ..... D21/333  
D894,281 S \* 8/2020 Wang ..... D21/333

\* cited by examiner

*Primary Examiner* — Mehri F Bajoul

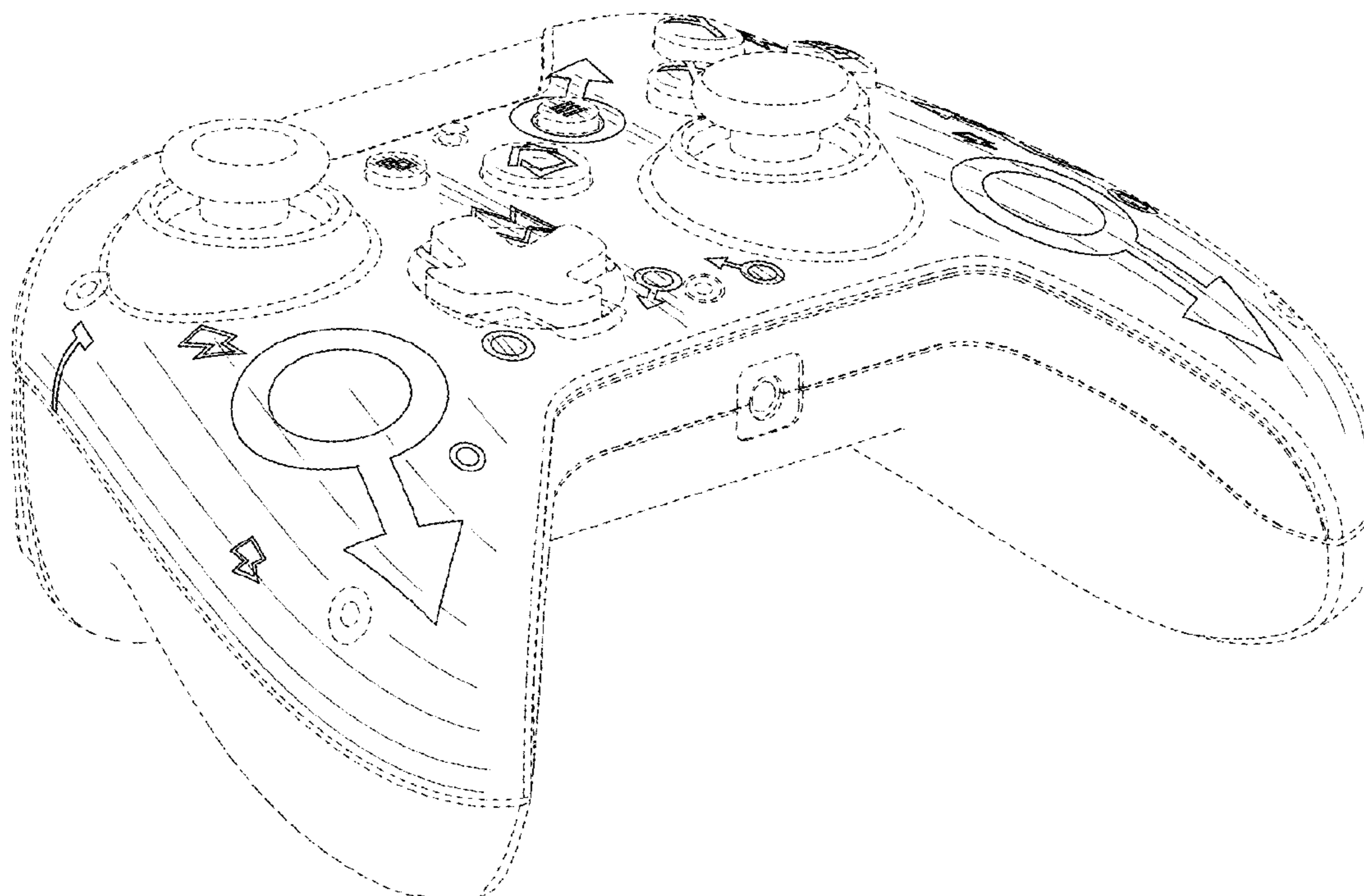
(57) **CLAIM**

The ornamental design for a gamepad, as shown and described.

**DESCRIPTION**

FIG. 1 is a bottom, front and left side perspective view of a gamepad showing my new design;  
FIG. 2 is a front elevational view thereof;  
FIG. 3 is a rear elevational view thereof;  
FIG. 4 is a left side view thereof;  
FIG. 5 is a right side view thereof;  
FIG. 6 is a top plan view thereof; and,  
FIG. 7 is a bottom plan view thereof.  
The broken lines in the drawings illustrate portions of the gamepad which form no part of the claimed design.

**1 Claim, 7 Drawing Sheets**



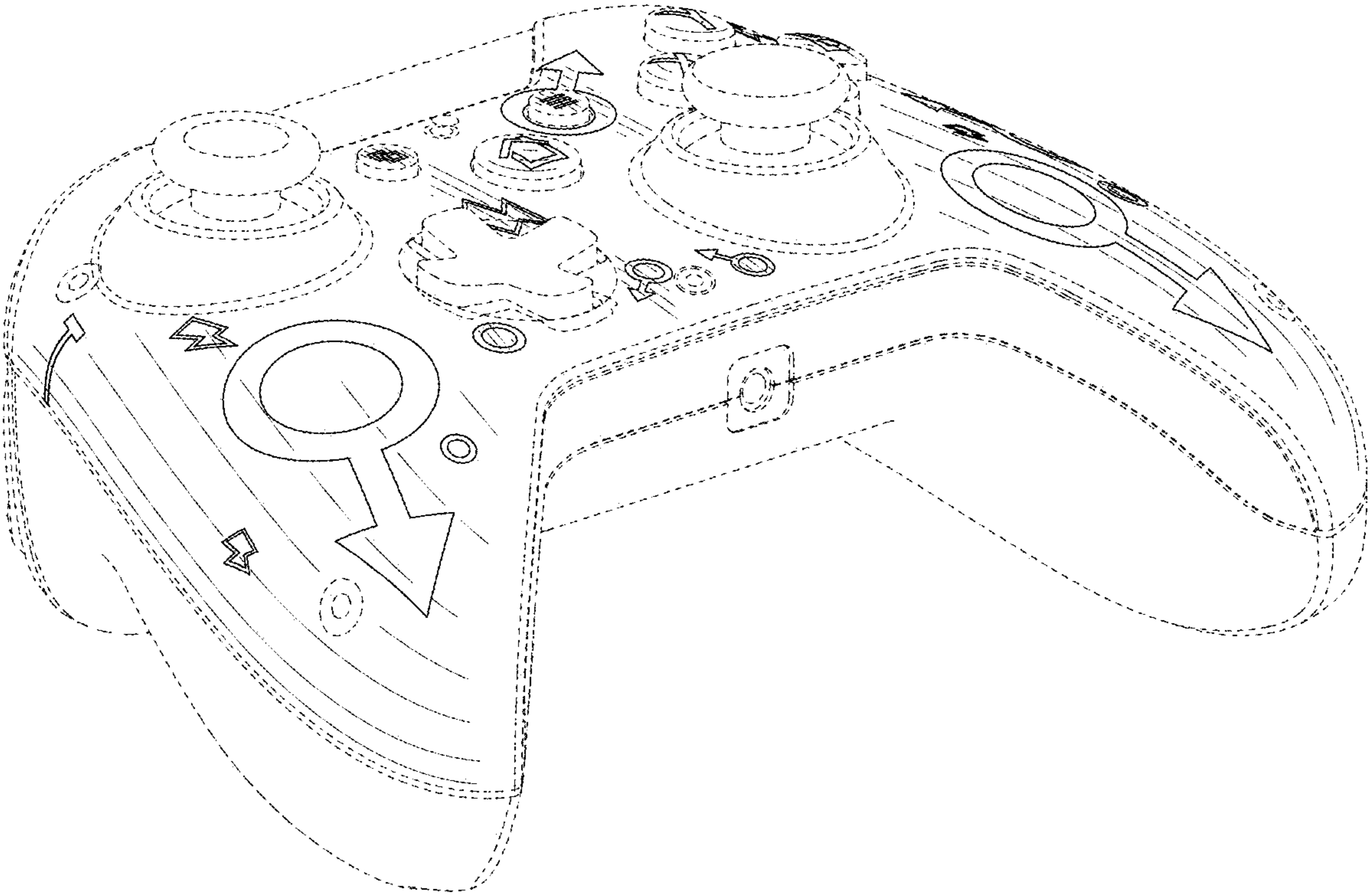


FIG. 1

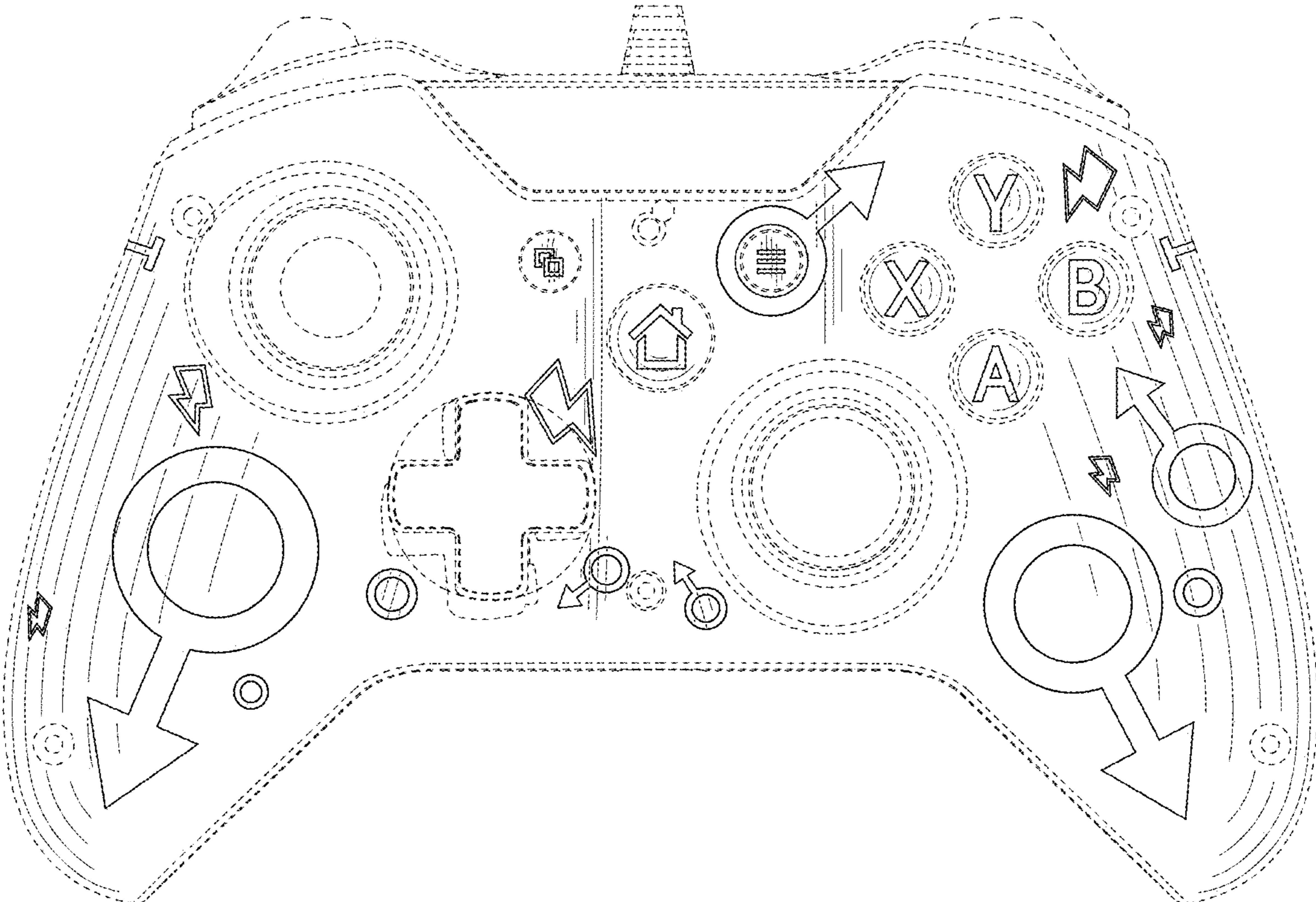


FIG. 2

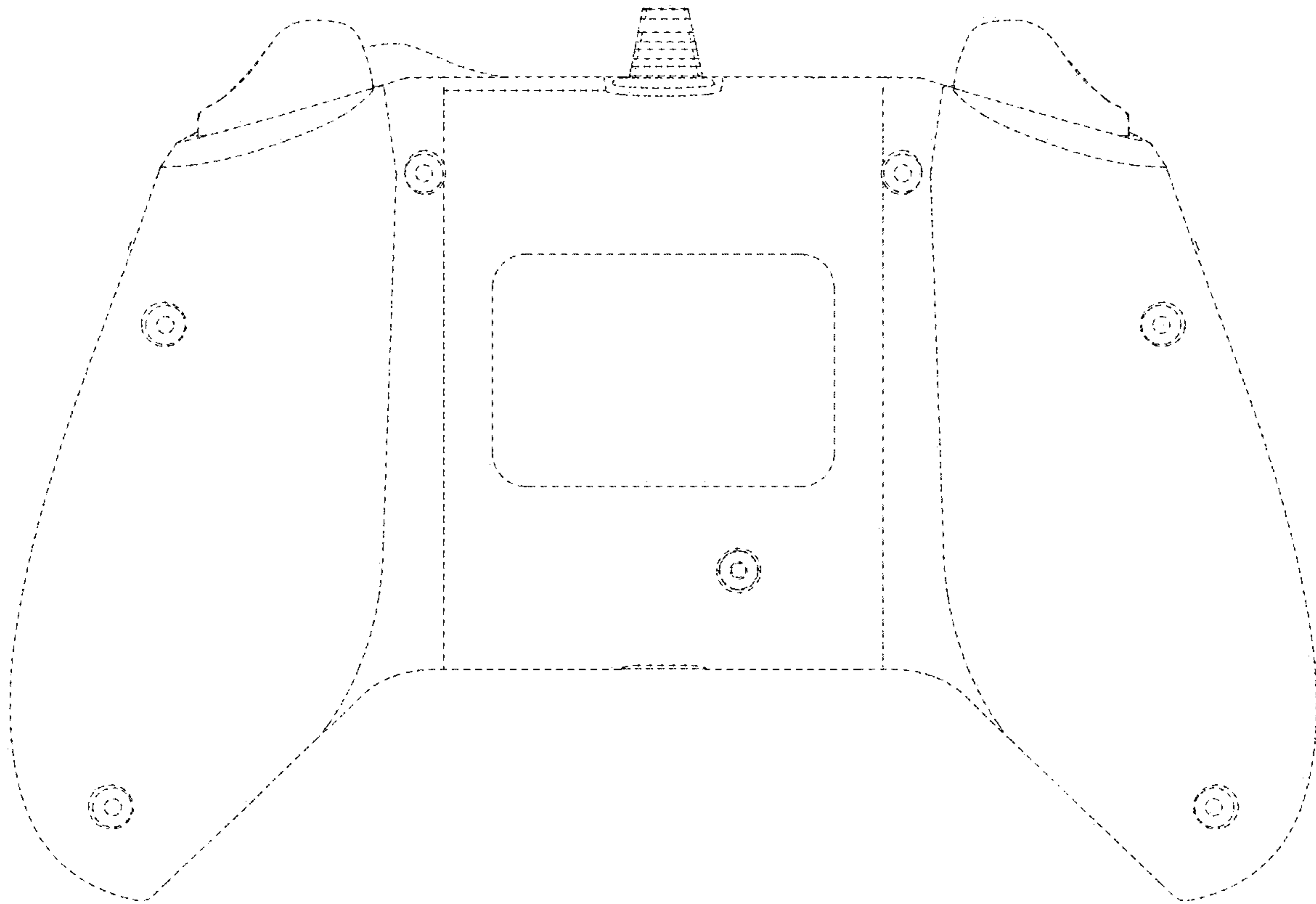


FIG. 3



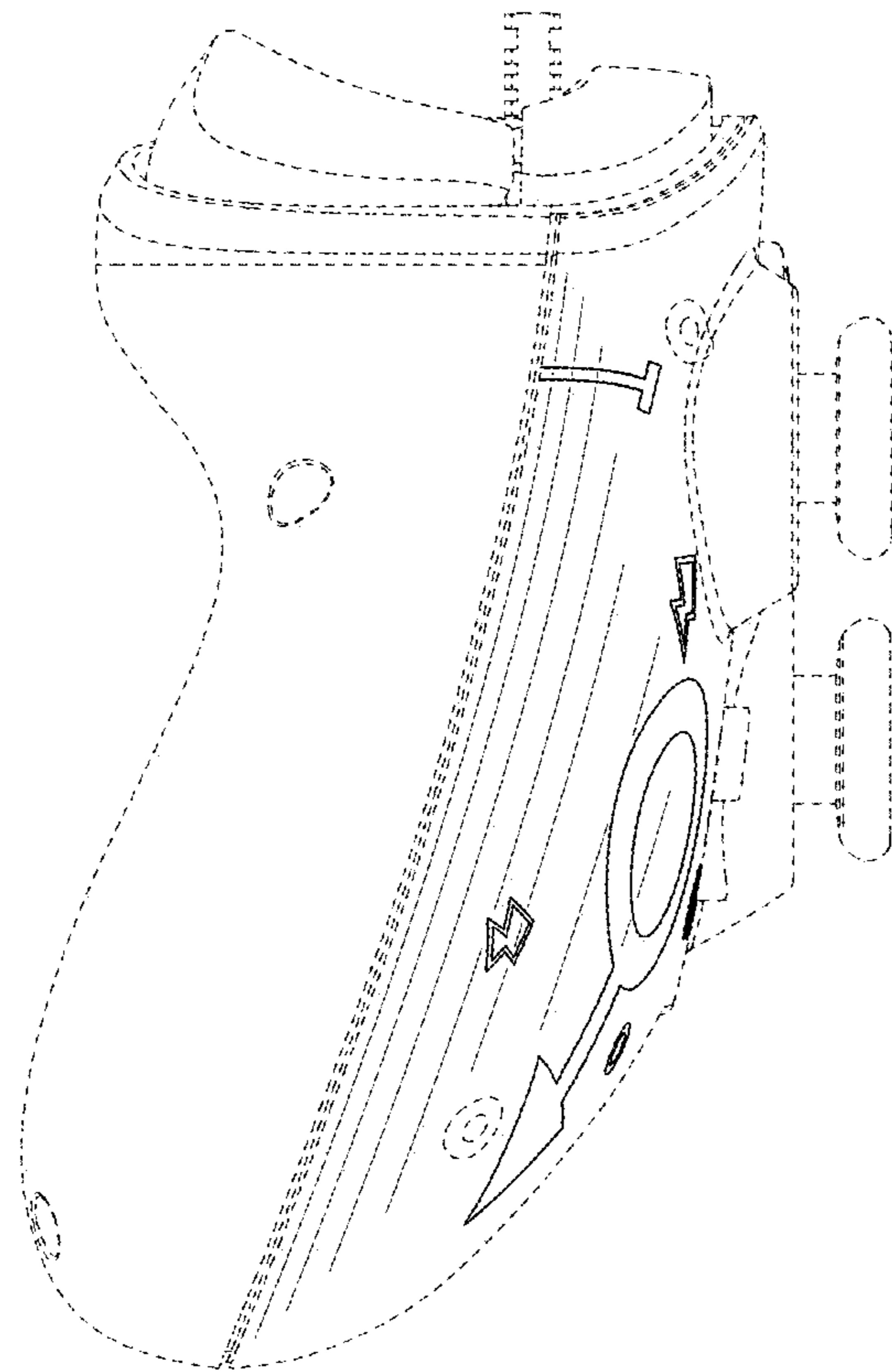


FIG. 4

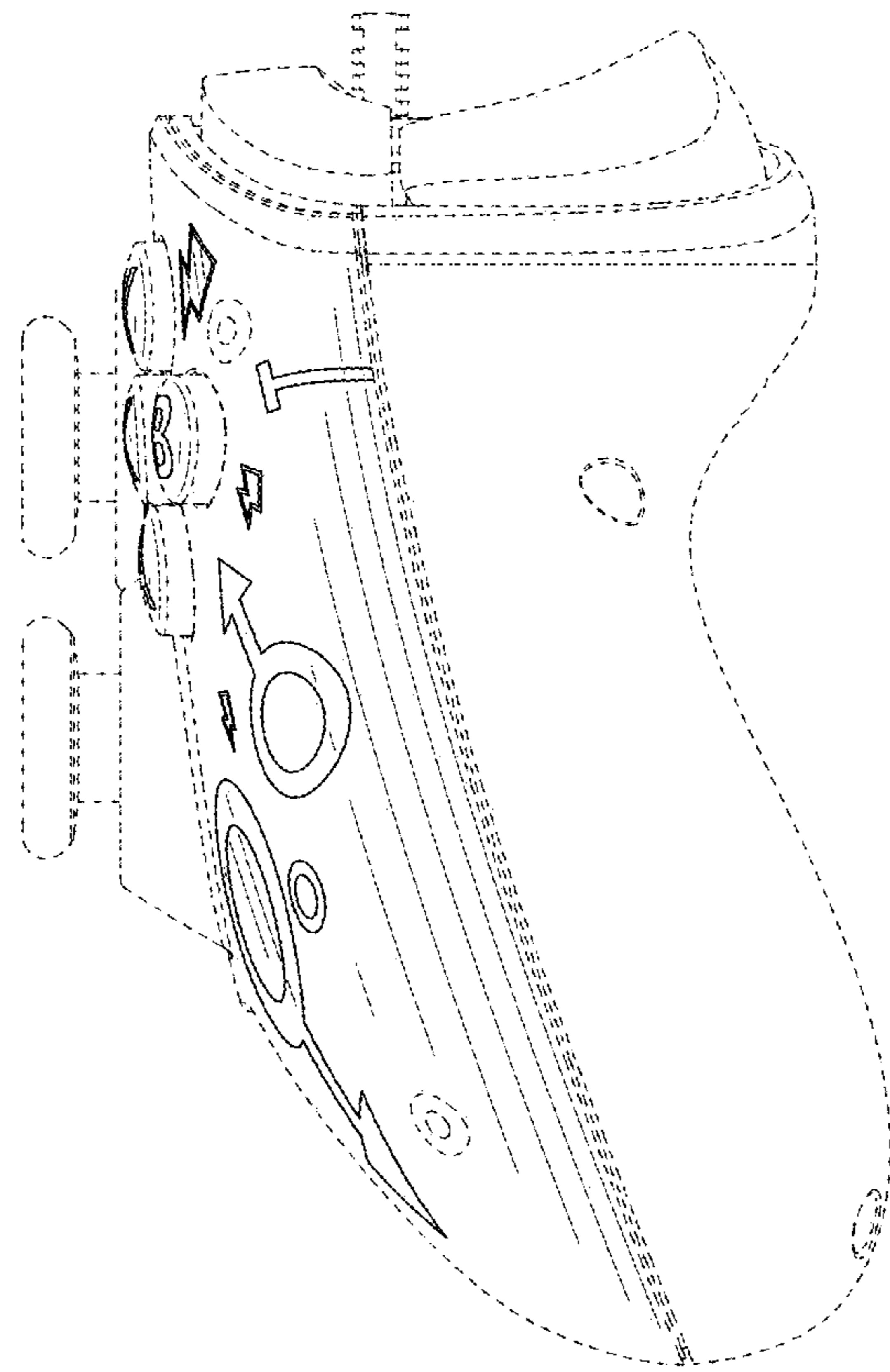


FIG. 5

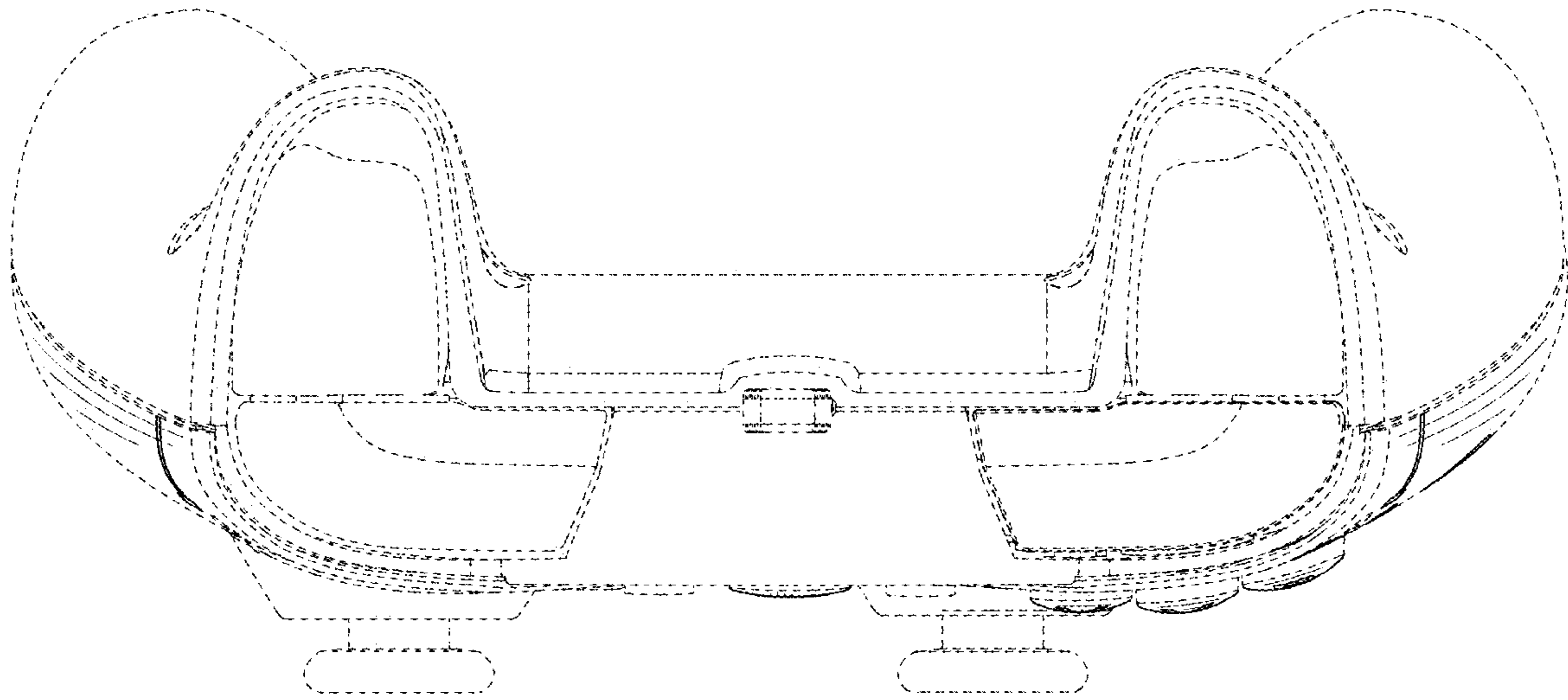


FIG. 6

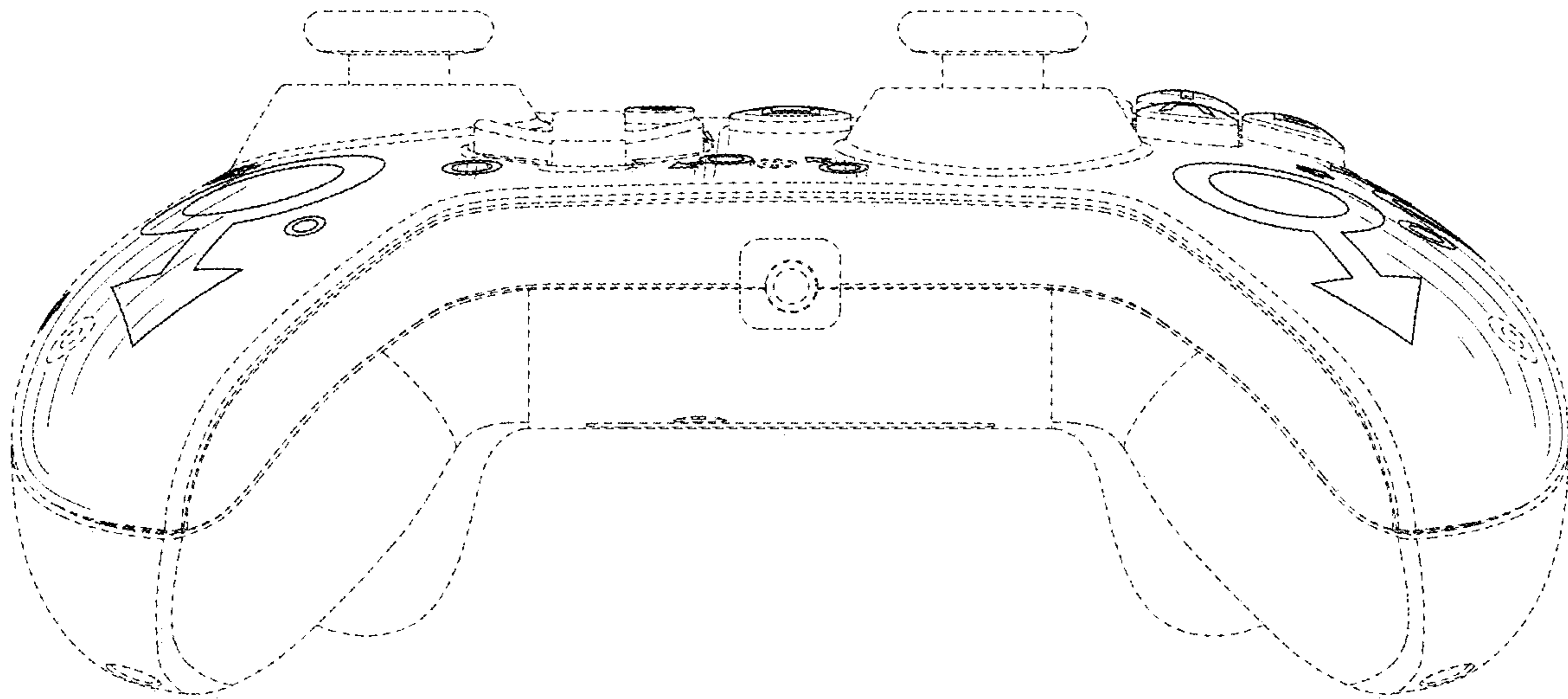


FIG. 7